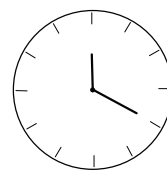
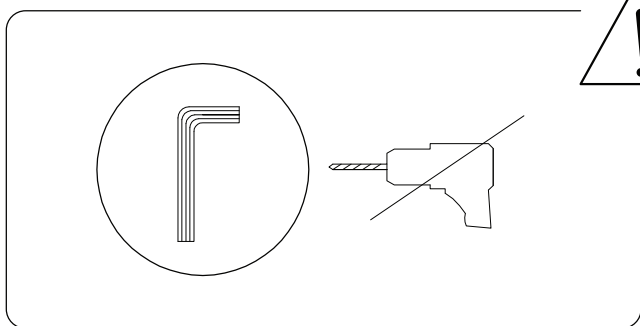
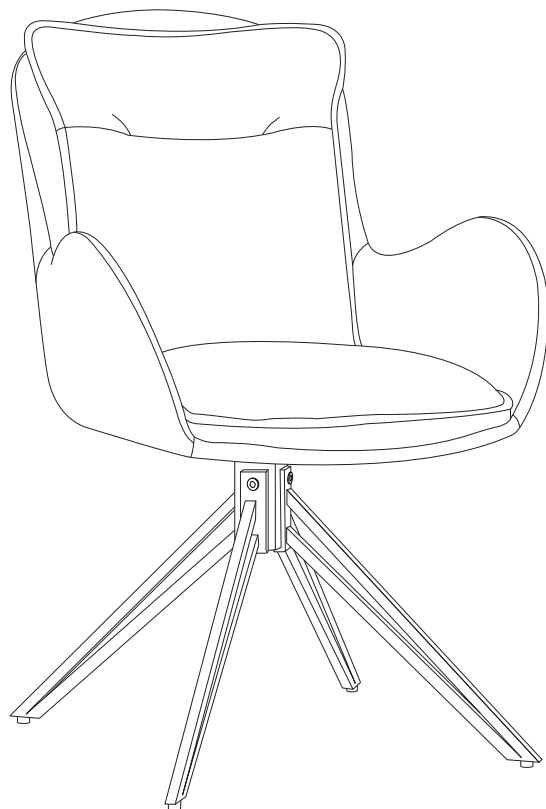
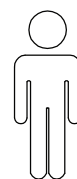
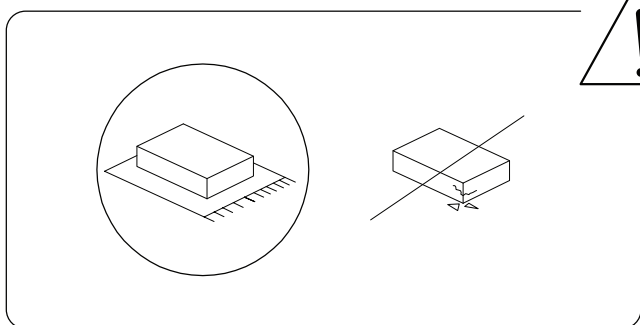


AVELAR



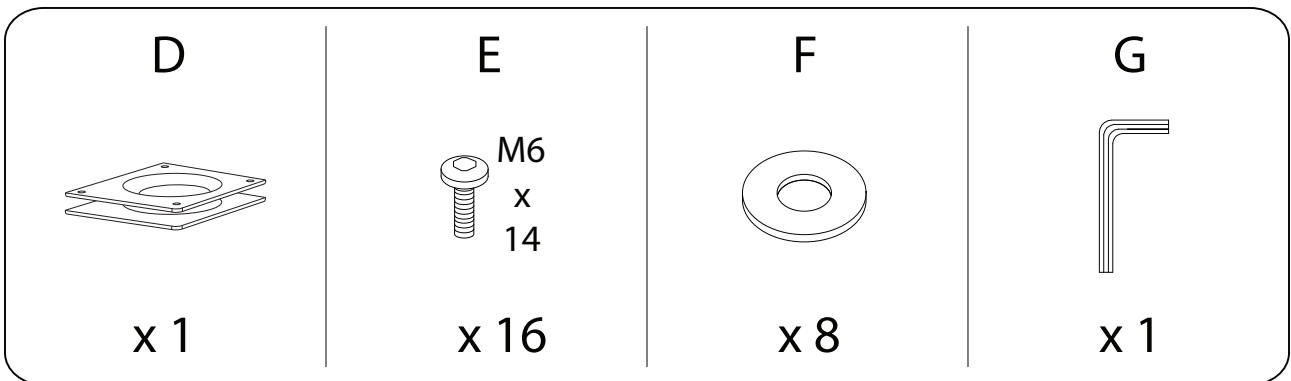
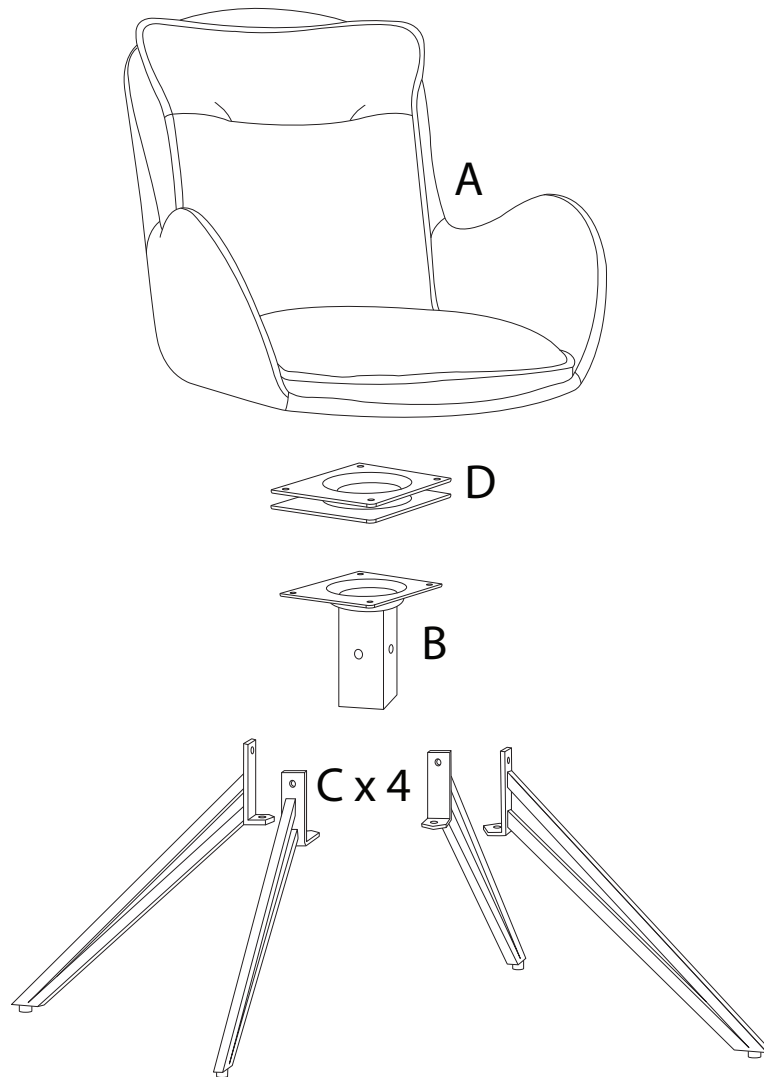
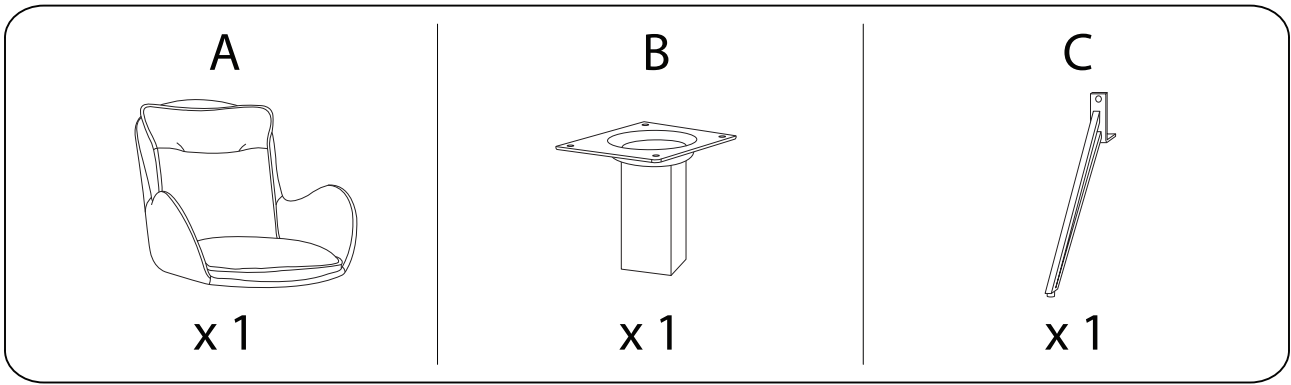


20'

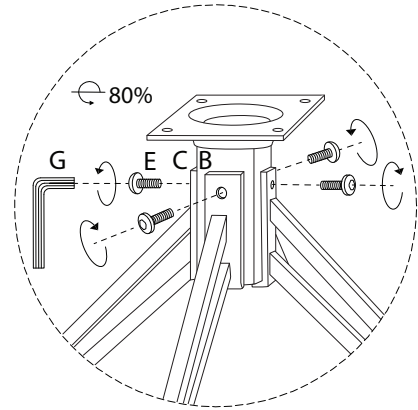
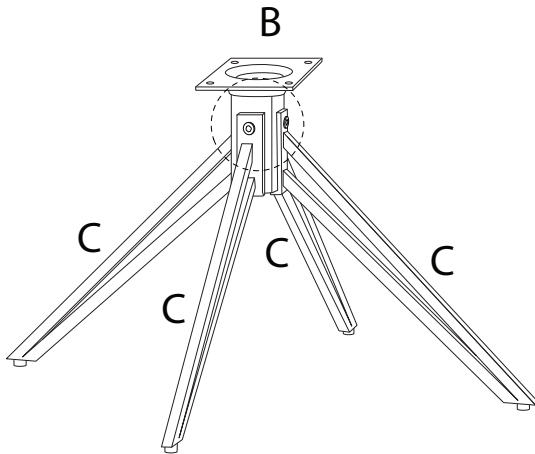
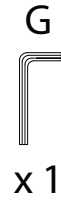
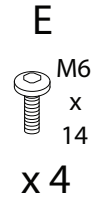


1

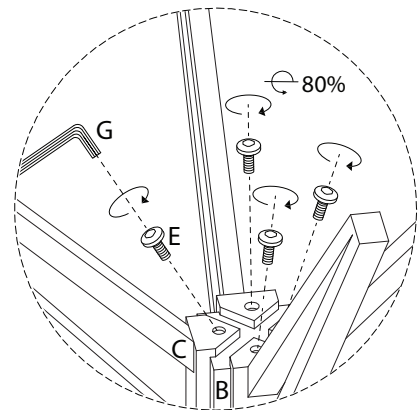
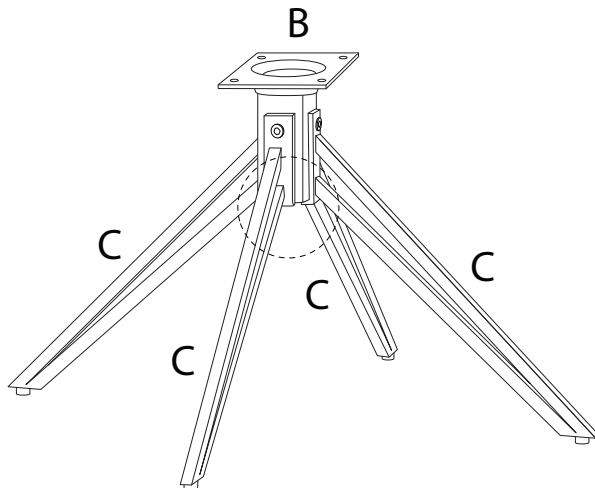
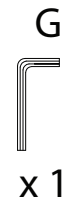
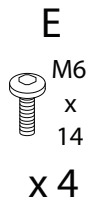
1/5



1



2

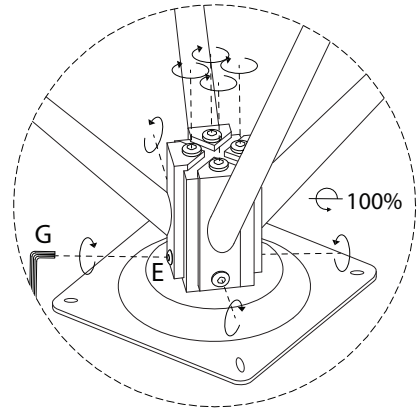
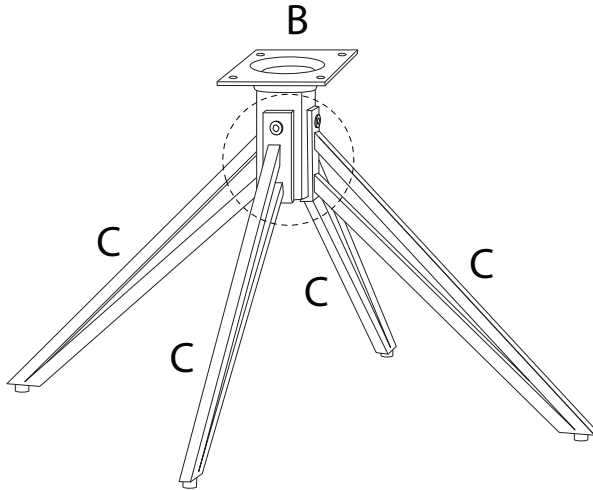


3

G

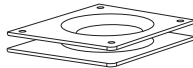


x 1



4

D



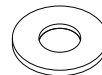
x 1

E



x 4

F

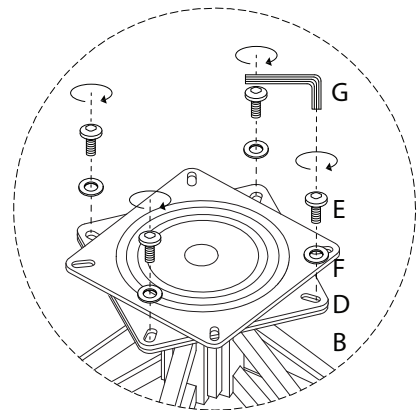
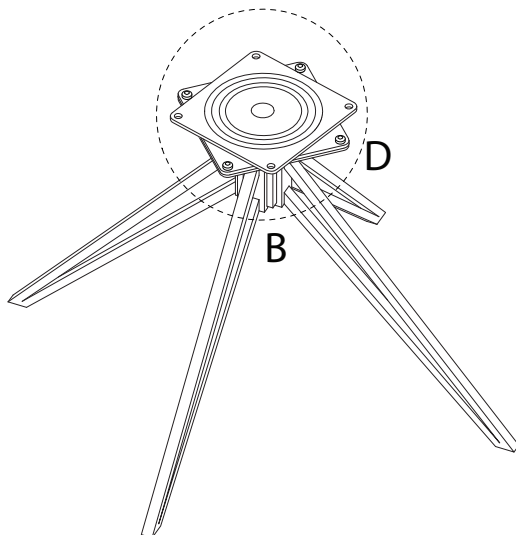


x 4

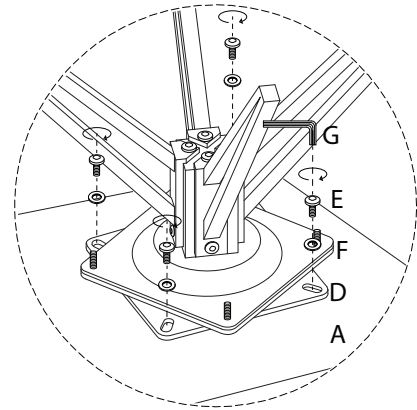
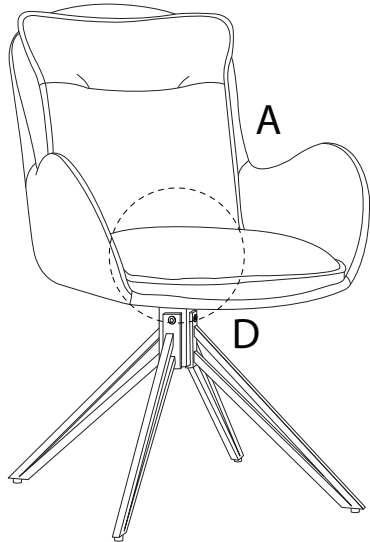
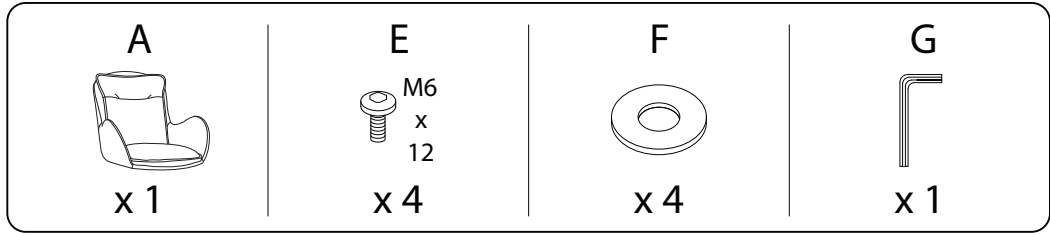
G



x 1



5



!

