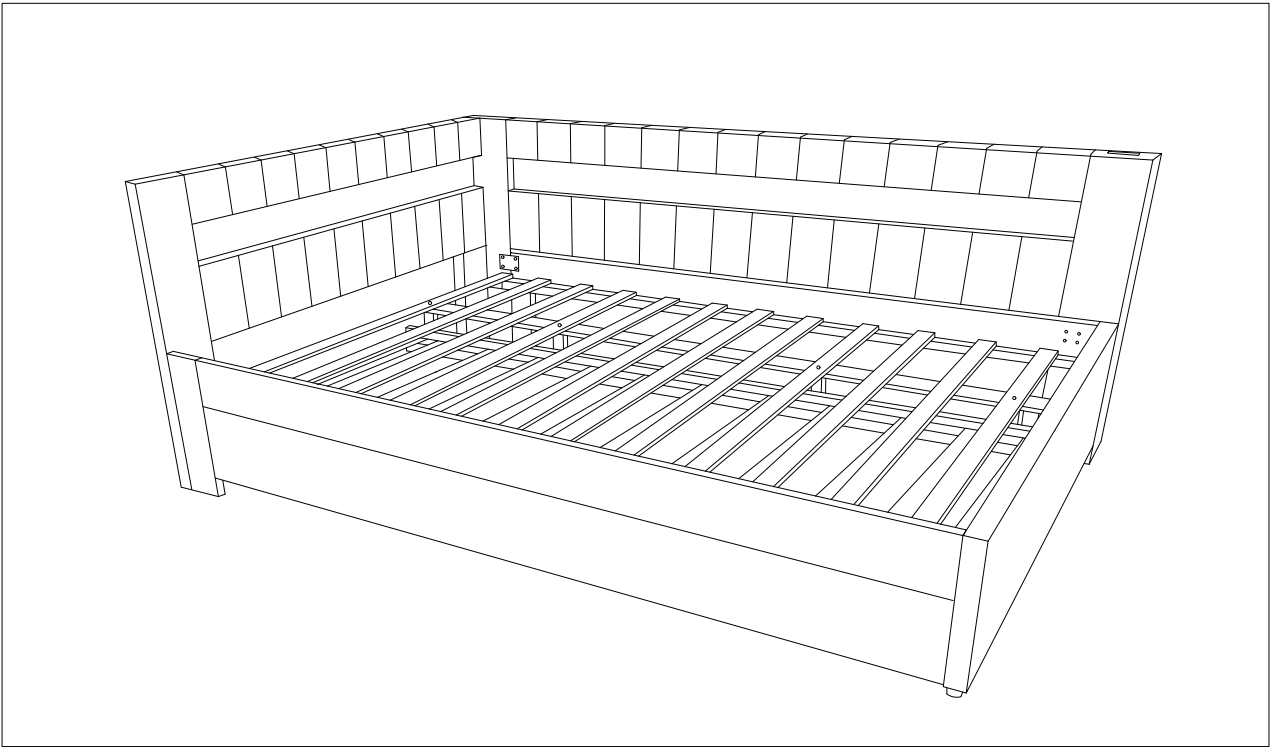


# Installation sanleitung Installation Instruction Instruction d'installation

SKUNUMBER:

N636P369112

N636P369113



**DE** Unser Produkt wird Ihnen in 2 Paketen geliefert. Die Lieferzeiten dieser 2 Pakete können abweichen, bitte haben Sie etwas Geduld und vielen Dank für Ihr Verständnis.

**UK** Our product will be delivered to you in 2 packages. The delivery times of these 2 packages may differ, please be patient and thank you for your understanding.

**FR** Notre produit vous sera livré en 2 colis. Les délais de livraison de ces 2 colis peuvent différer, soyez patient et merci pour votre compréhension.



Points de collecte sur [www.quefairemesdechets.fr](http://www.quefairemesdechets.fr)  
Privilégiez la réparation ou le don de votre appareil !

**DE:** Vor dem Einbau die Schrauben in die Löcher stecken und festziehen, aber nicht bis 100%, 70% bis 80% anziehen reicht aus. Schließlich, nachdem alle Schrauben installiert sind, ziehen Sie alle Schrauben auf 100%. Wenn Sie auf diese Probleme stoßen, wie z. B. Fehlausrichtung der Löcher oder Unfähigkeit, bestimmte Teile zu installieren, überprüfen Sie bitte, ob die Schrauben korrekt verwendet werden und passen Sie die Dichtigkeit der Schrauben an.

**UK:** Before installation, insert the screws into the holes and tighten them, but do not tighten them to 100%, 70% to 80% is sufficient. Finally, after all screws are installed, tighten all screws to 100%. If you encounter these issues, such as if the holes cannot be aligned or some parts cannot be installed, please check if the screws are used correctly and adjust the tightness of the screws.

**FR:** Insérer la vis dans le trou avant la fin de l'assemblage, serrer la vis, mais ne pas serrer à 100%, 70% ~ 80% est correct. Enfin, une fois que toutes les vis sont bien serrées, toutes les vis sont serrées à 100%. Si vous rencontrez ces problèmes, par exemple si les trous ne sont pas alignés ou si certaines pièces ne peuvent pas être montées, vérifiez que les vis sont utilisées correctement et Ajustez leur serrage.

## English

### IMPORTANT ! KEEP FOR FUTURE REFERENCE : READ CAREFULLY

- To be assembled by an adult. Assembly must be checked by an adult before use
- WARNING ! Keep all screws, small parts and plastic bags out of the reach of children
- Properly identify all parts before assembling
- Never use your item if any of its parts are broken or missing
- Should any problems arise, please contact our After Sales Service
- Manufacturer's instructions shall be followed at all times
- Care: Clean with a soft, dry cloth. In case of larger stains, carefully rub with a slightly damp, non-abrasive sponge
- Avoid the risk of fire by not placing furniture near sources of ignition or hot items
- Do not jump on the bed

## Deutsch

### WICHTIG ! ZUM SPÄTEREN NACHSCHLAGEN AUFBEWAHREN: SORGFÄLTIG LESEN

- Muss von einem Erwachsenen zusammengebaut werden. Der Zusammenbau muss vor dem Gebrauch von einem Erwachsenen überprüft werden
- WARNUNG! Bewahren Sie alle Schrauben, Kleinteile und Plastikbeutel außerhalb der Reichweite von Kindern auf
- Kennzeichnen Sie vor dem Zusammenbau alle Teile richtig
- Benutzen Sie Ihren Artikel niemals, wenn Teile gebrochen sind oder fehlen
- Sollten Probleme auftreten, wenden Sie sich bitte an unseren Kundendienst
- Die Anweisungen des Herstellers sind stets zu befolgen
- Pflege: Mit einem weichen, trockenen Tuch reinigen. Bei größeren Flecken vorsichtig mit einem leicht feuchten, nicht scheuernden Schwamm abreiben. nicht scheuernden Schwamm
- Vermeiden Sie die Gefahr eines Brandes, indem Sie die Möbel nicht in der Nähe von Zündquellen oder heißen Gegenständen aufstellen
- Nicht auf das Bett springen

## Français

### IMPORTANT ! CONSERVER POUR RÉFÉRENCE ULTÉRIEURE : LIRE ATTENTIVEMENT

- Le montage doit être effectué par un adulte. Le montage doit être vérifié par un adulte avant Utilisation
- ATTENTION ! Tenir les vis, les petites pièces et les sachets en plastique hors de portée des enfants
- Identifiez correctement toutes les pièces avant de les assembler
- N'utilisez jamais votre article si l'une de ses pièces est cassée ou manquante
- En cas de problème, veuillez contacter notre service après-vente
- Les instructions du fabricant doivent être respectées à tout moment
- Entretien : nettoyer avec un chiffon doux et sec. En cas de taches plus importantes, frotter soigneusement avec une éponge non abrasive légèrement humide. légèrement humide et non Abrasive
- Évitez les risques d'incendie en ne plaçant pas les meubles à proximité de sources d'inflammation ou d'objets chauds
- Ne pas sauter sur le lit

**Italiano**

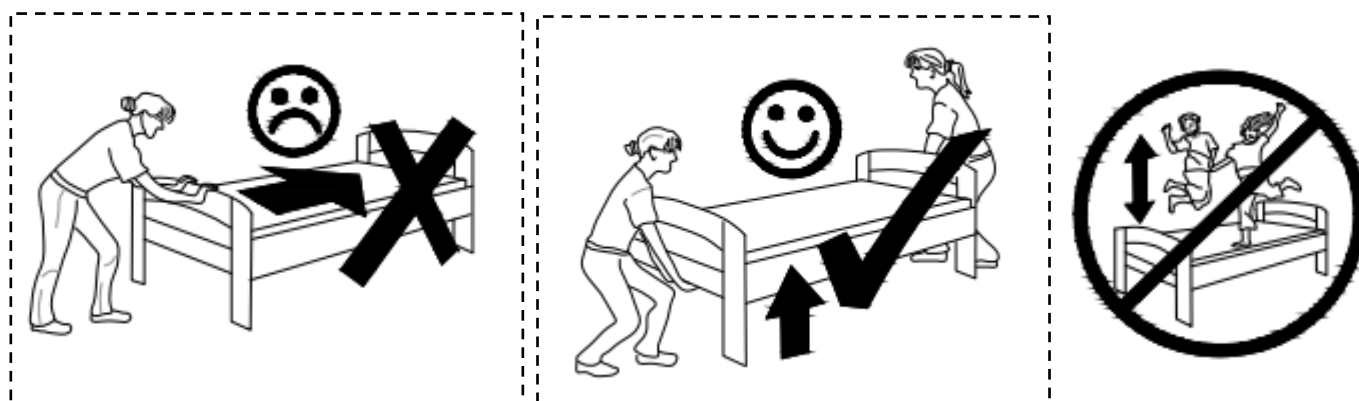
**IMPORTANTE! CONSERVARE PER RIFERIMENTO FUTURO: LEGGERE ATTENTAMENTE**

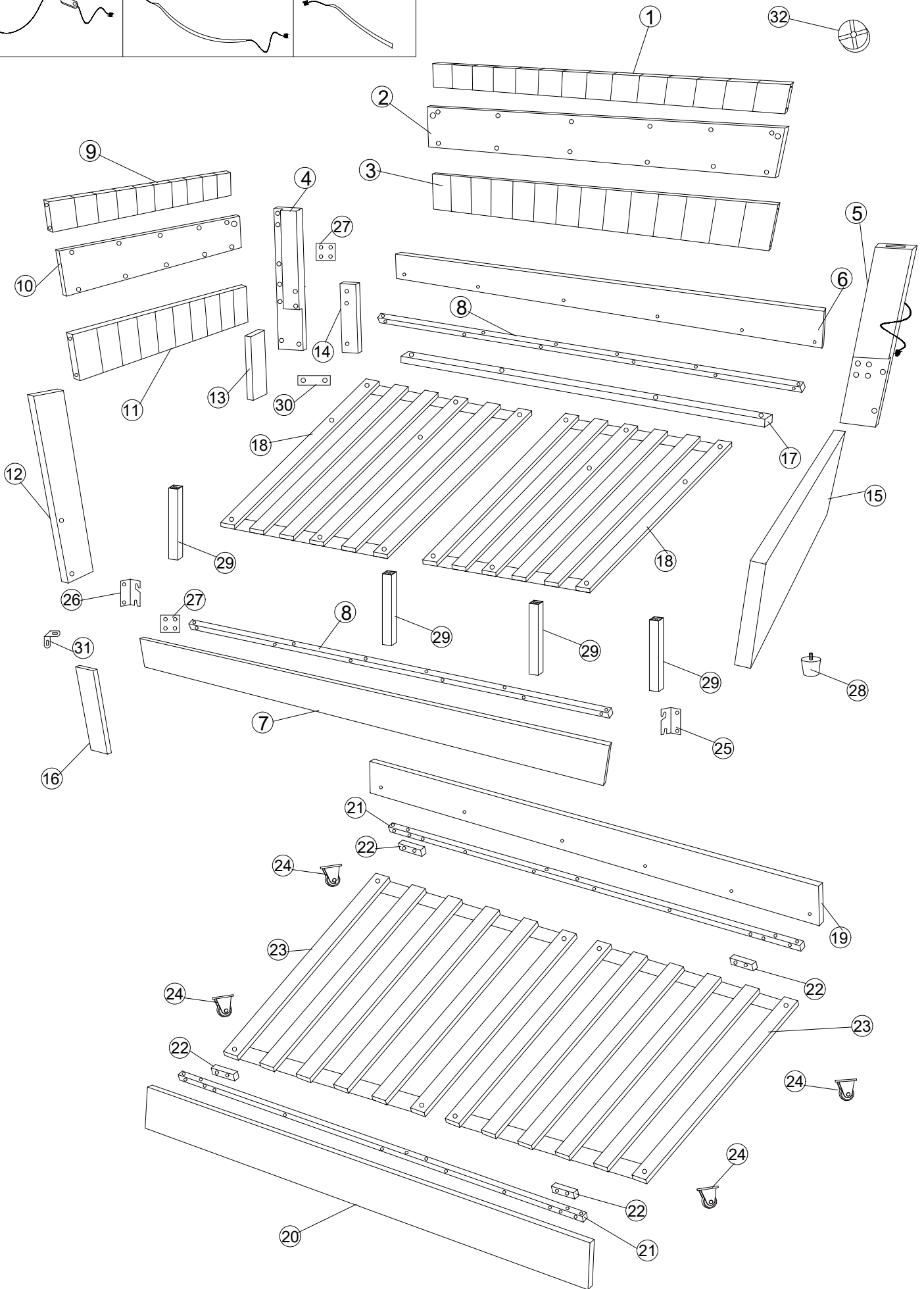
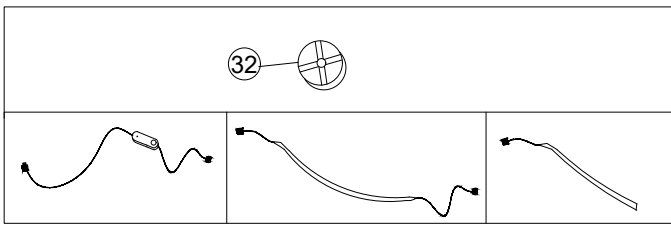
- Deve essere assemblato da un adulto. L'assemblaggio deve essere controllato da un adulto prima dell'uso
- **ATTENZIONE!** Tenere tutte le viti, le piccole parti e i sacchetti di plastica fuori dalla portata dei bambini
- Identificare correttamente tutte le parti prima dell'assemblaggio
- Non utilizzare mai l'articolo se alcune parti sono rotte o mancanti
- In caso di problemi, si prega di contattare il nostro Servizio Post Vendita
- Le istruzioni del produttore devono essere sempre seguite
- Cura: Pulire con un panno morbido e asciutto. In caso di macchie più estese, strofinare accuratamente con una spugna leggermente umida e nonspugna leggermente umida e non abrasiva
- Evitare il rischio di incendio, non collocando i mobili vicino a fonti di accensione o a oggetti caldi
- Non saltare sul letto

**Español**


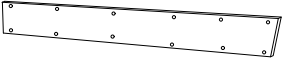
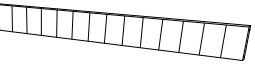

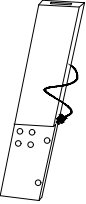
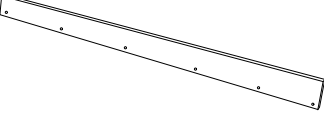
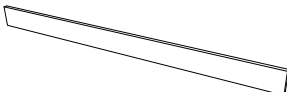
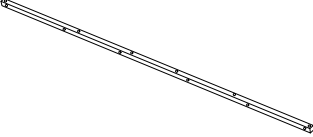
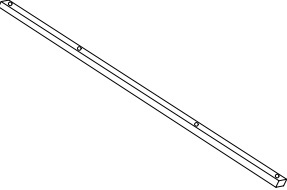
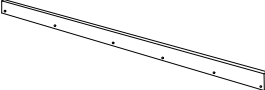
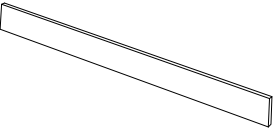
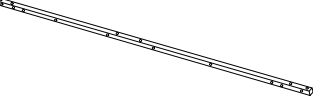
**¡ IMPORTANTE ! CONSERVELO PARA FUTURAS CONSULTAS: LEA ATENTAMENTE**

- Debe ser montado por un adulto. El montaje debe ser comprobado por un adulto antes del uso
- ADVERTENCIA Mantenga todos los tornillos, piezas pequeñas y bolsas de plástico fuera del alcance de los niños.
- Identifique correctamente todas las piezas antes de montarlas
  - Nunca utilice su artículo si alguna de sus piezas está rota o falta
  - Si surge algún problema, póngase en contacto con nuestro Servicio Postventa
  - Las instrucciones del fabricante deben seguirse en todo momento
  - Cuidado: Limpiar con un paño suave y seco. En caso de manchas más grandes, frote cuidadosamente con una esponja no abrasiva ligeramente humedecida.
  - Evite el riesgo de incendio no colocando los muebles cerca de fuentes de ignición u objetos calientes.
  - No saltar sobre la cama.

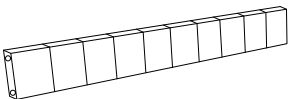
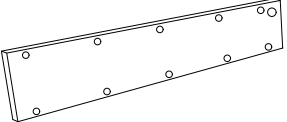




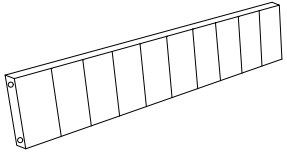
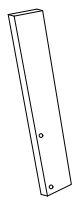

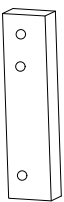
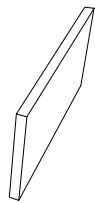
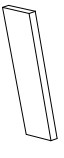
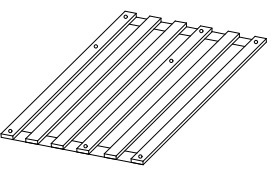
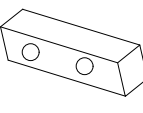
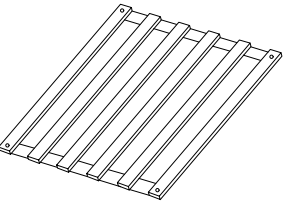
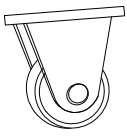
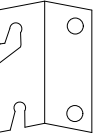
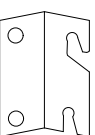
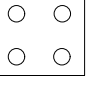
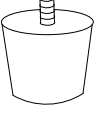
Part List/ Teileliste/ Liste des pièces  
N636P369112

1		×1	2		×1
3		×1	4		×1
5		×1	6		×1
7		×1	8		×2
17		×1	19		×1
20		×1	21		×2



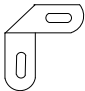
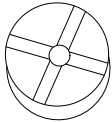
Part List/ Teileliste/ Liste des pièces  
N636P369113

9		×1	10		×1
---	---	----	----	---	----

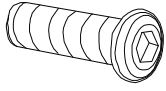
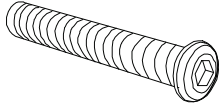
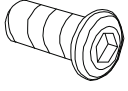
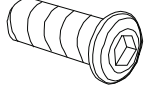
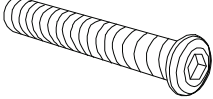
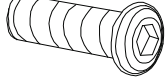
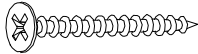
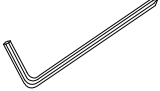
Part List/ Teileliste/ Liste des pièces  
N636P369113

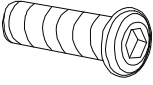
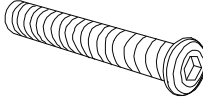
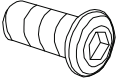
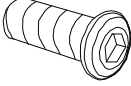
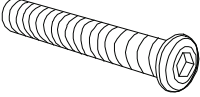
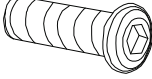
11		×1	12		×1
13		×1	14		×1
15		×1	16		×1
18		×2	22		×4
23		×2	24		×4
25		×1	26		×1
27		×2	28		×1

Part List/ Teileliste/ Liste des pièces  
N636P369113

29		×4	30		×1
31		×1	32		×1

Hardware List/ Hardware-Liste/ Liste du matériel  
N636P369113

A	 M8*40MM	×19	B	 M8*55MM	×12
C	 M6*16MM	×22	D	 M8*20MM	×10
E	 M8*47MM	×34	F	 M8*32MM	×21
G	 φ3*20	×16	H		×1

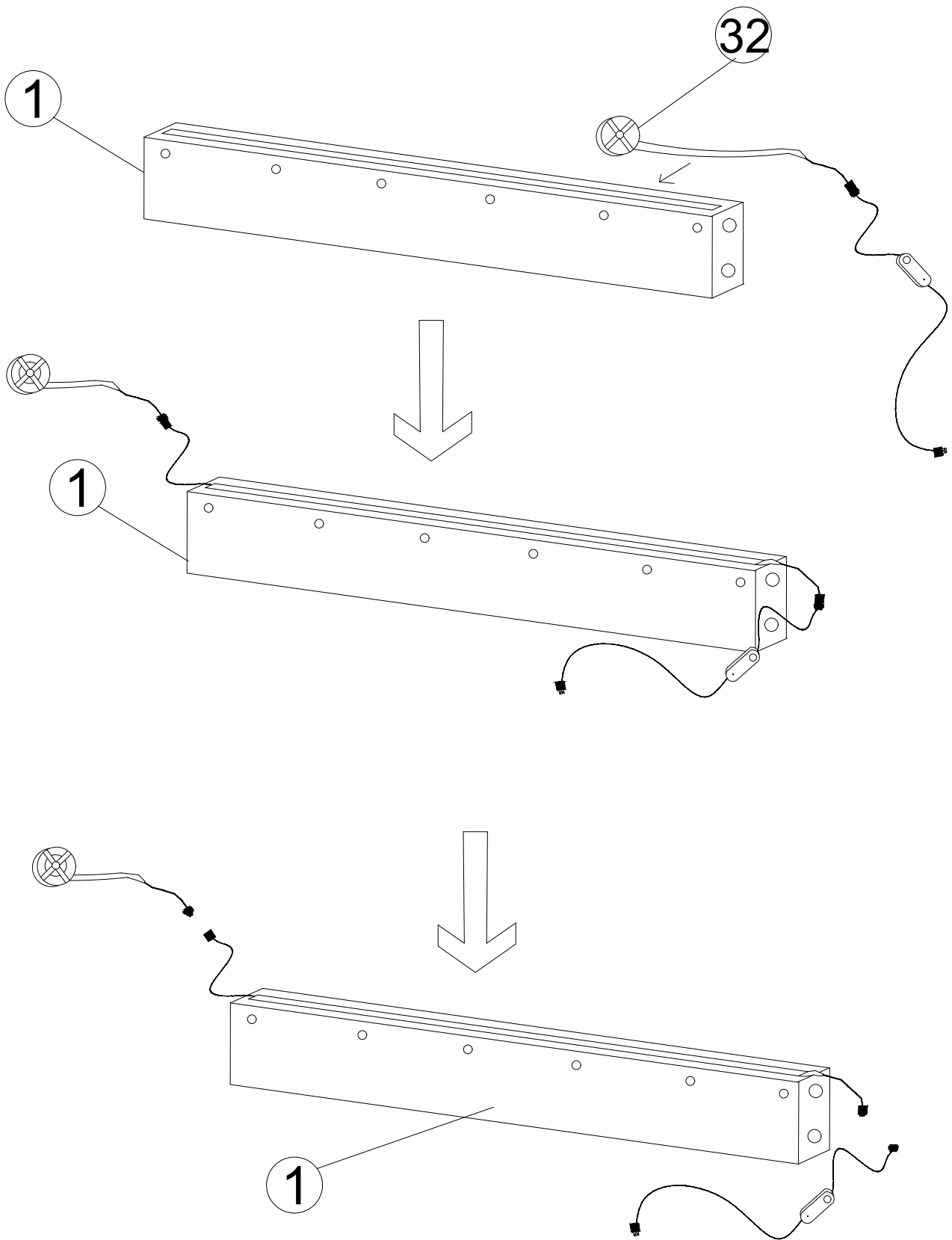
A	 M8*40MM	×19	B	 M8*55MM	×12
C	 M6*16MM	×22	D	 M8*20MM	×10
E	 M8*47MM	×34	F	 M8*32MM	×21

DE:Bitte beachten Sie, dass die Formen der Schrauben A und B und C und D und E und F ähnlich sind. Bitte installieren Sie entsprechend der Anleitung und unterscheiden Sie sie!

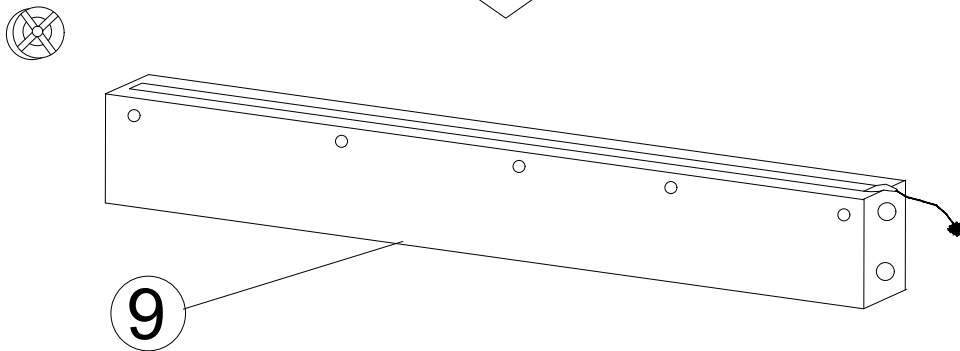
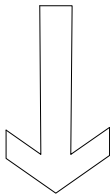
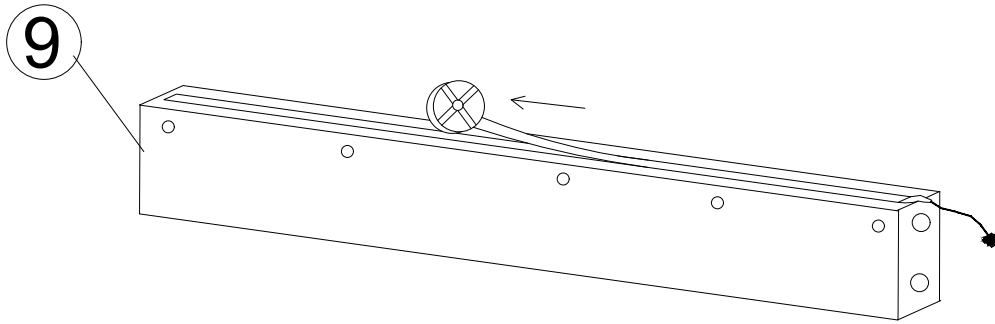
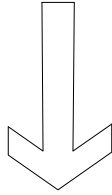
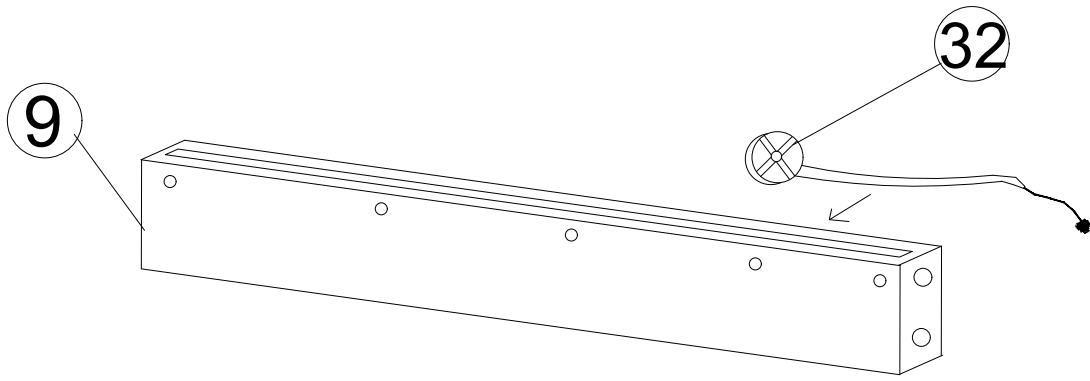
UK:Please note that the shapes of screws A and B and C and D and E and F are similar. Please install according to the instructions and distinguish them!

FR:Notez que les vis A et B et C et D et E et F ont des formes similaires. Veuillez les installer en suivant les instructions pour les séparer!

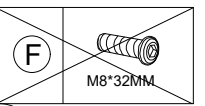
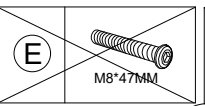
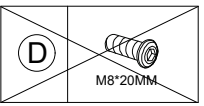
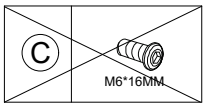
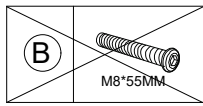
1



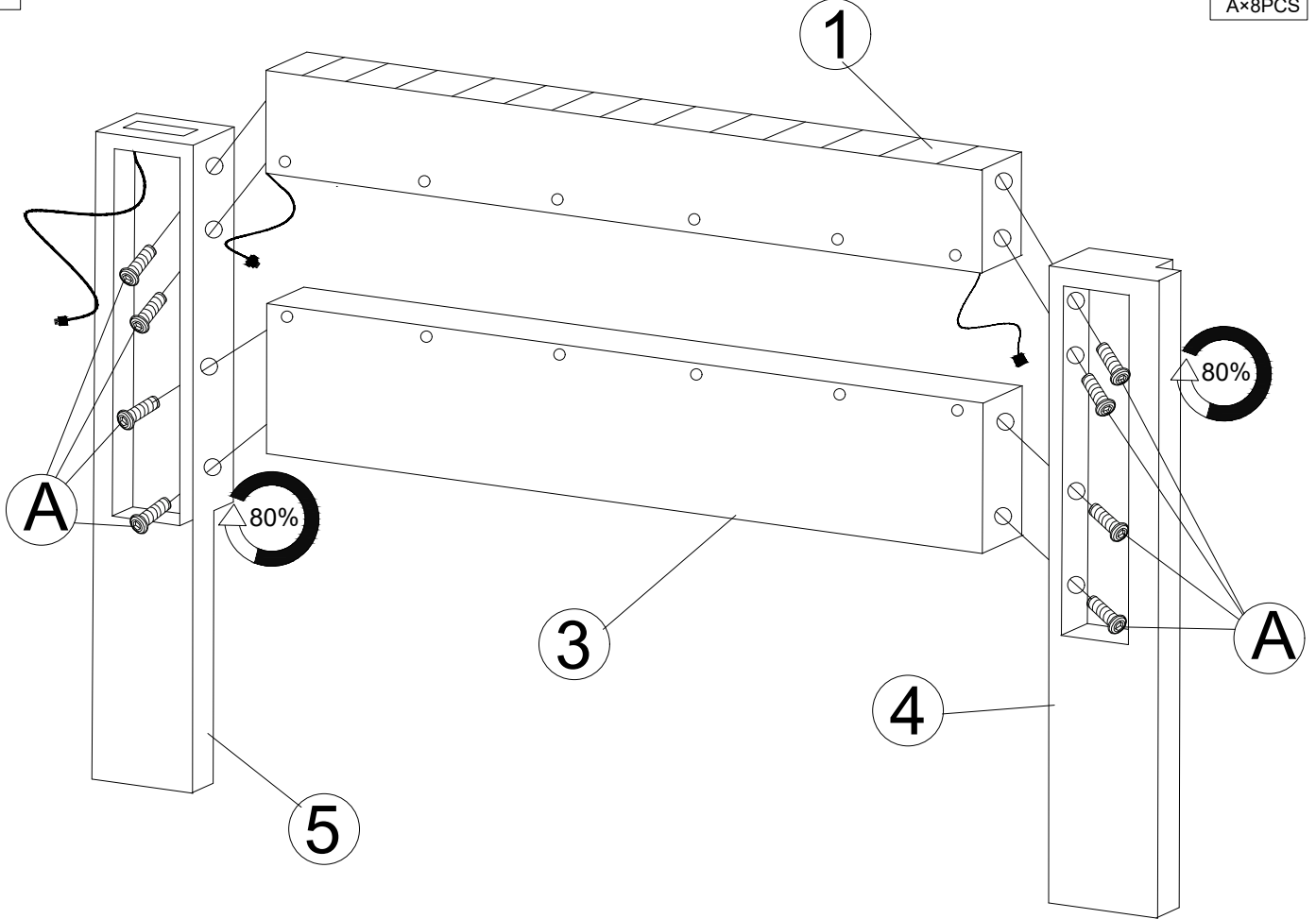
2



# 3

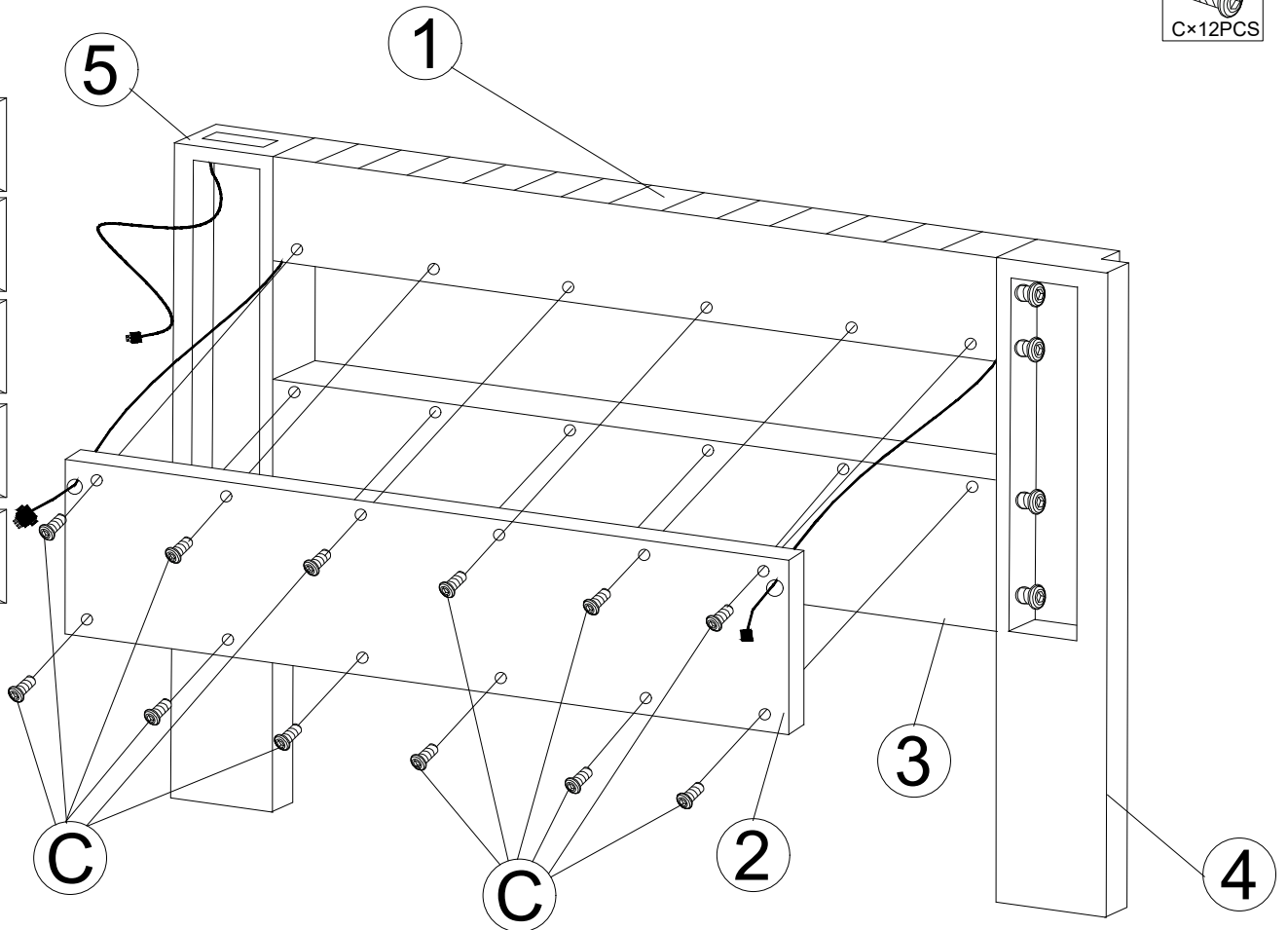
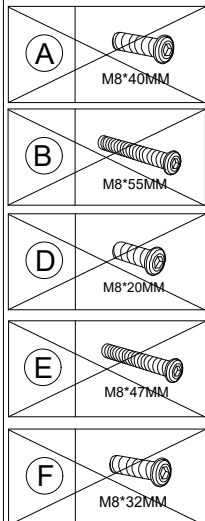


M8\*40MM  
A×8PCS

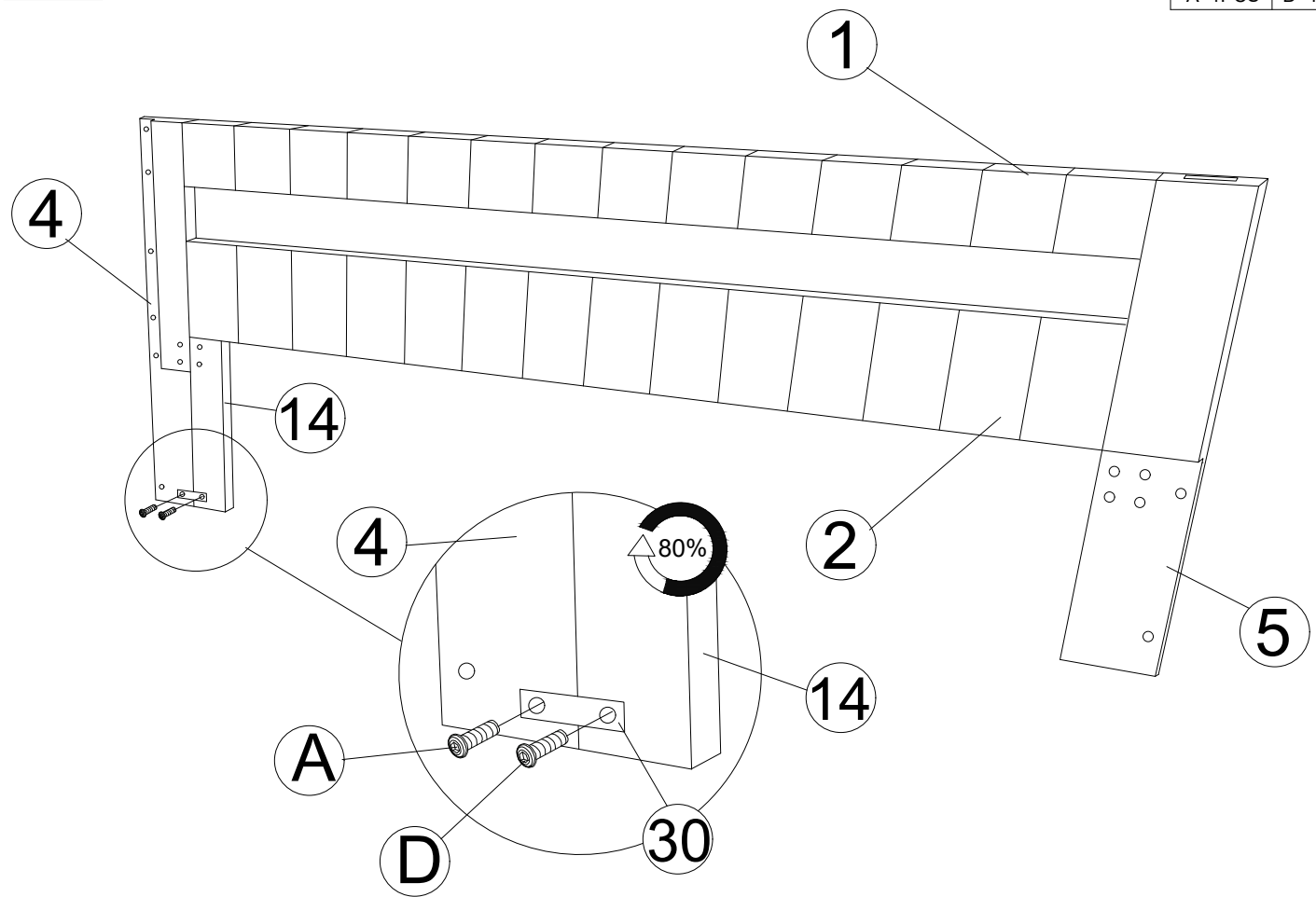
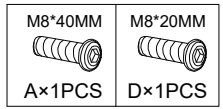
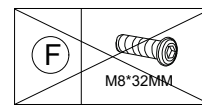
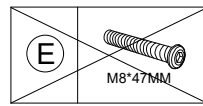
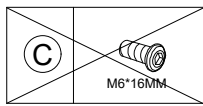
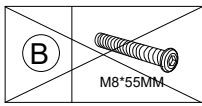


# 4

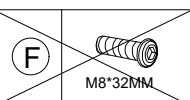
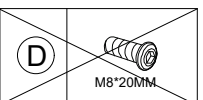
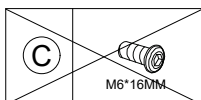
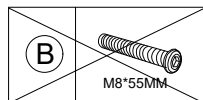
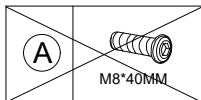
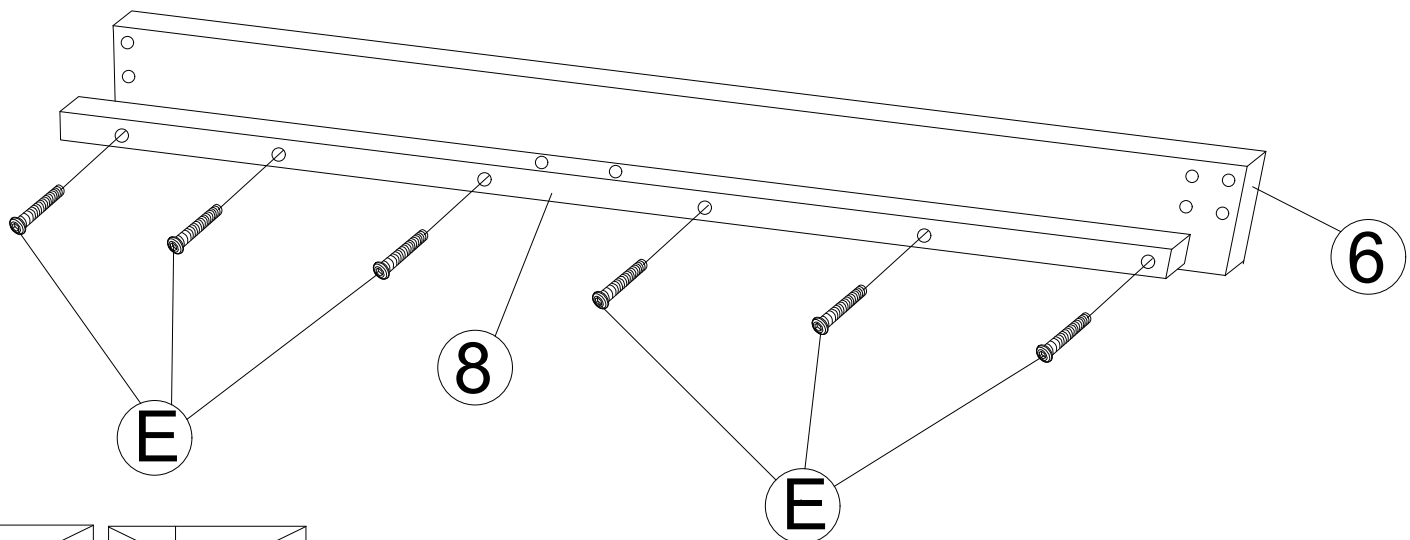
M6\*16MM  
C×12PCS



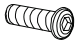

5

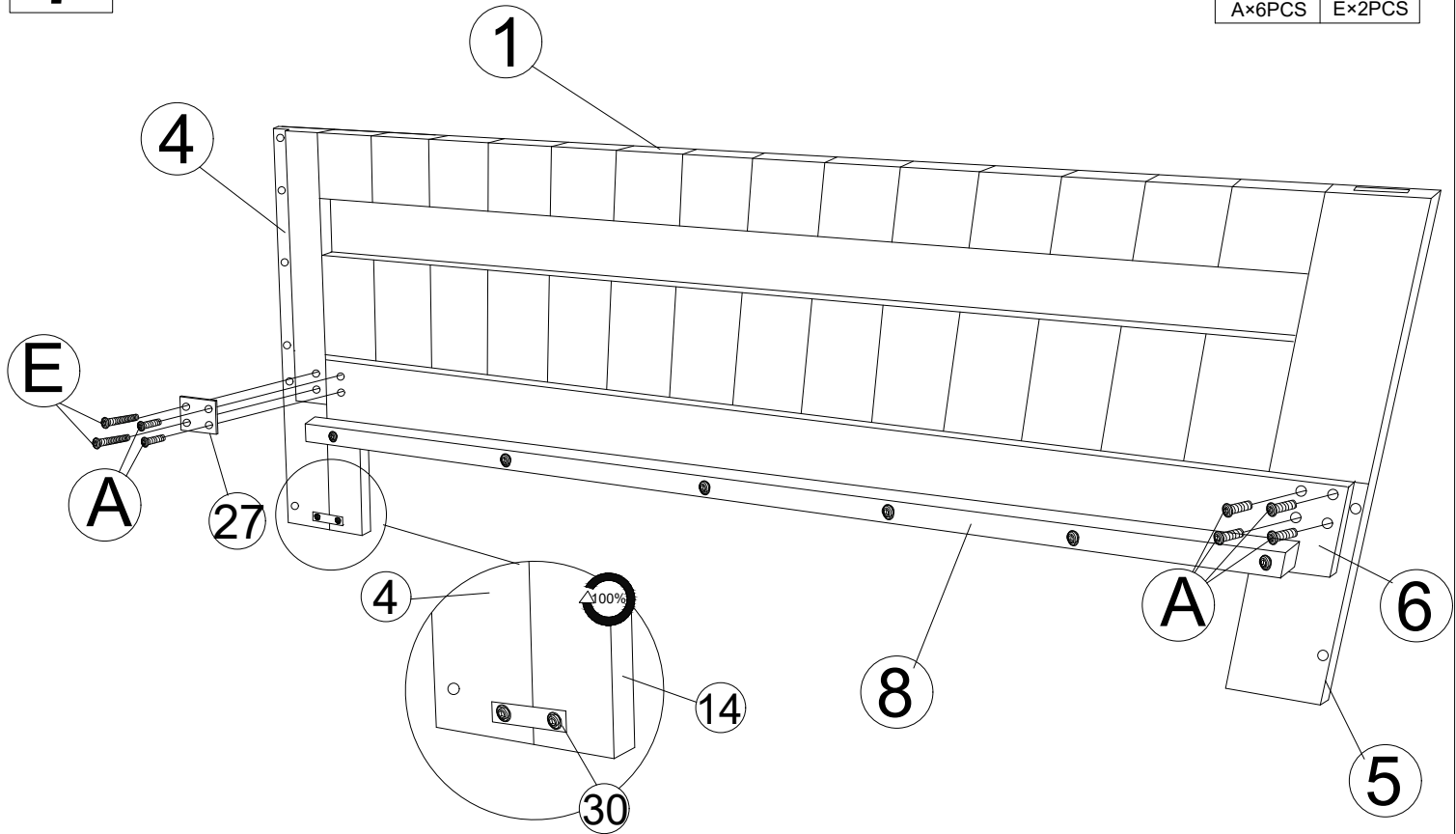


6



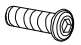
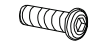
# 7

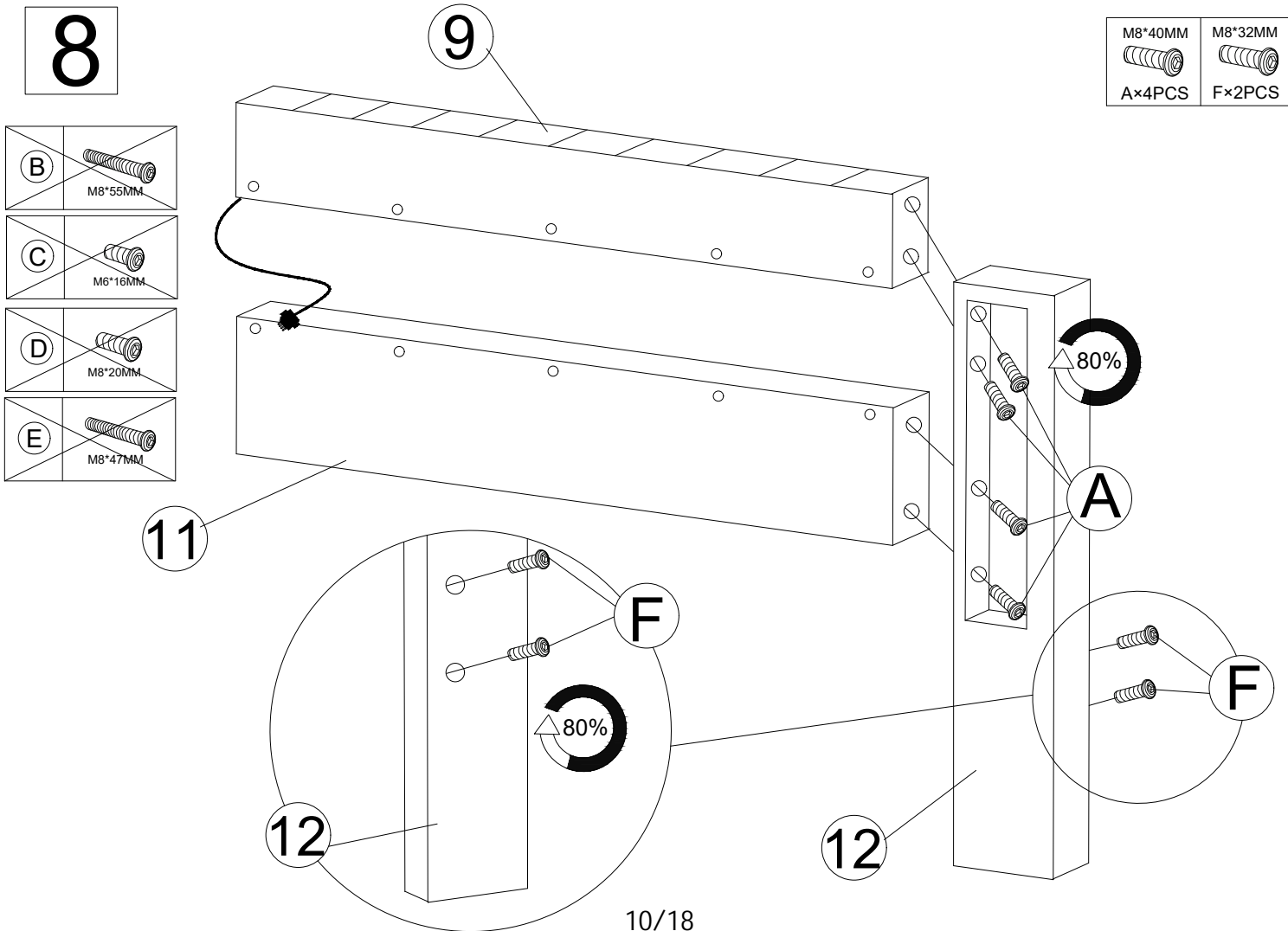
M8*40MM 	M8*47MM 
A×6PCS	E×2PCS



<del>B</del> M8*55MM	<del>C</del> M6*16MM	<del>D</del> M8*20MM	<del>F</del> M8*32MM
-------------------------	-------------------------	-------------------------	-------------------------

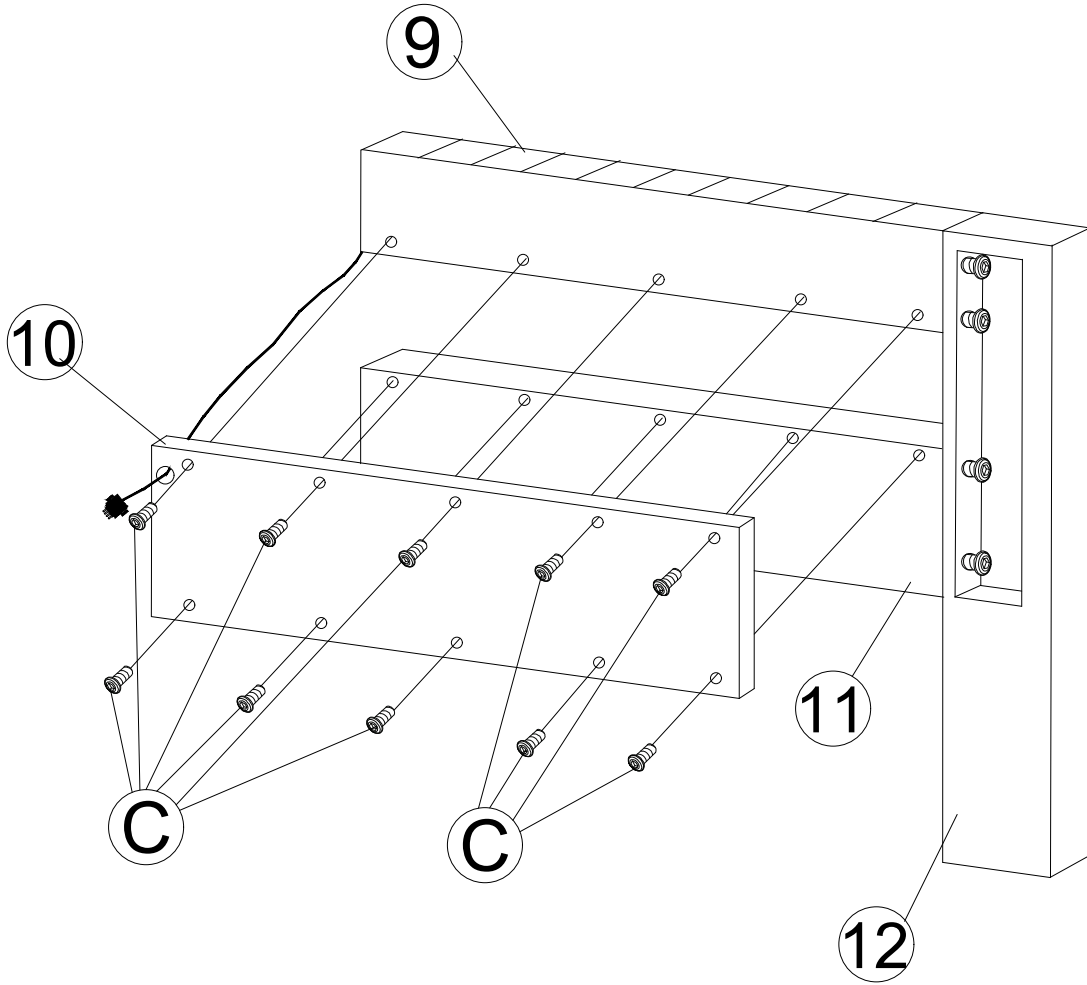
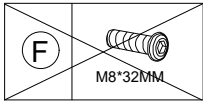
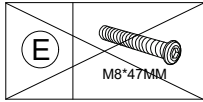
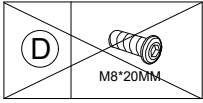
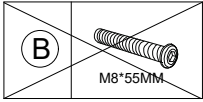
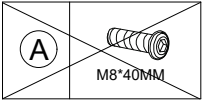
# 8

M8*40MM 	M8*32MM 
A×4PCS	F×2PCS



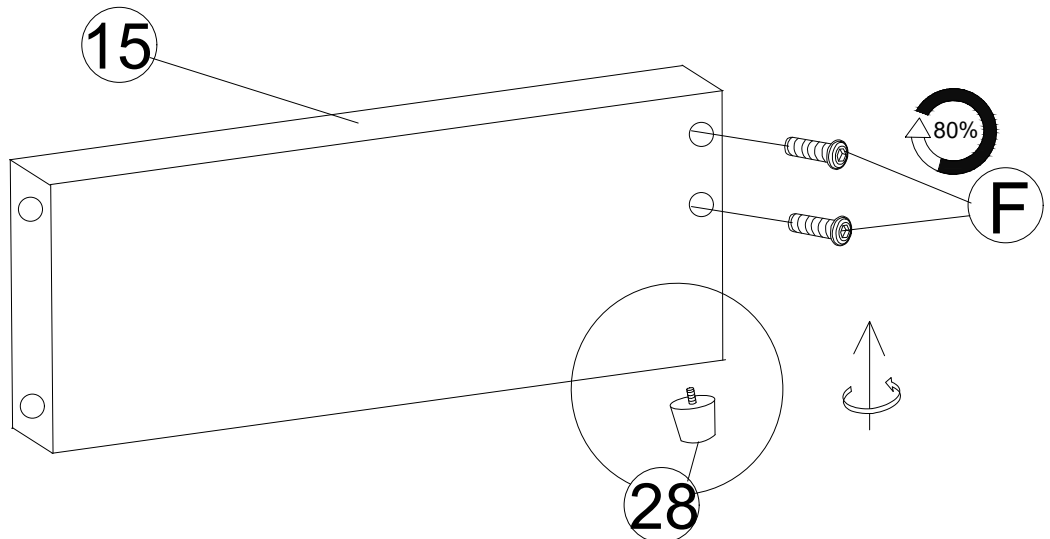
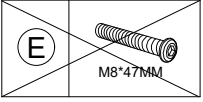
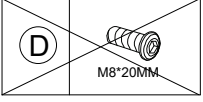
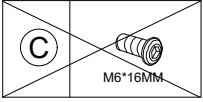
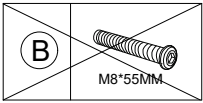
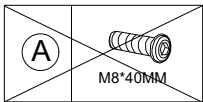
# 9

M6\*16MM  
C×10PCS



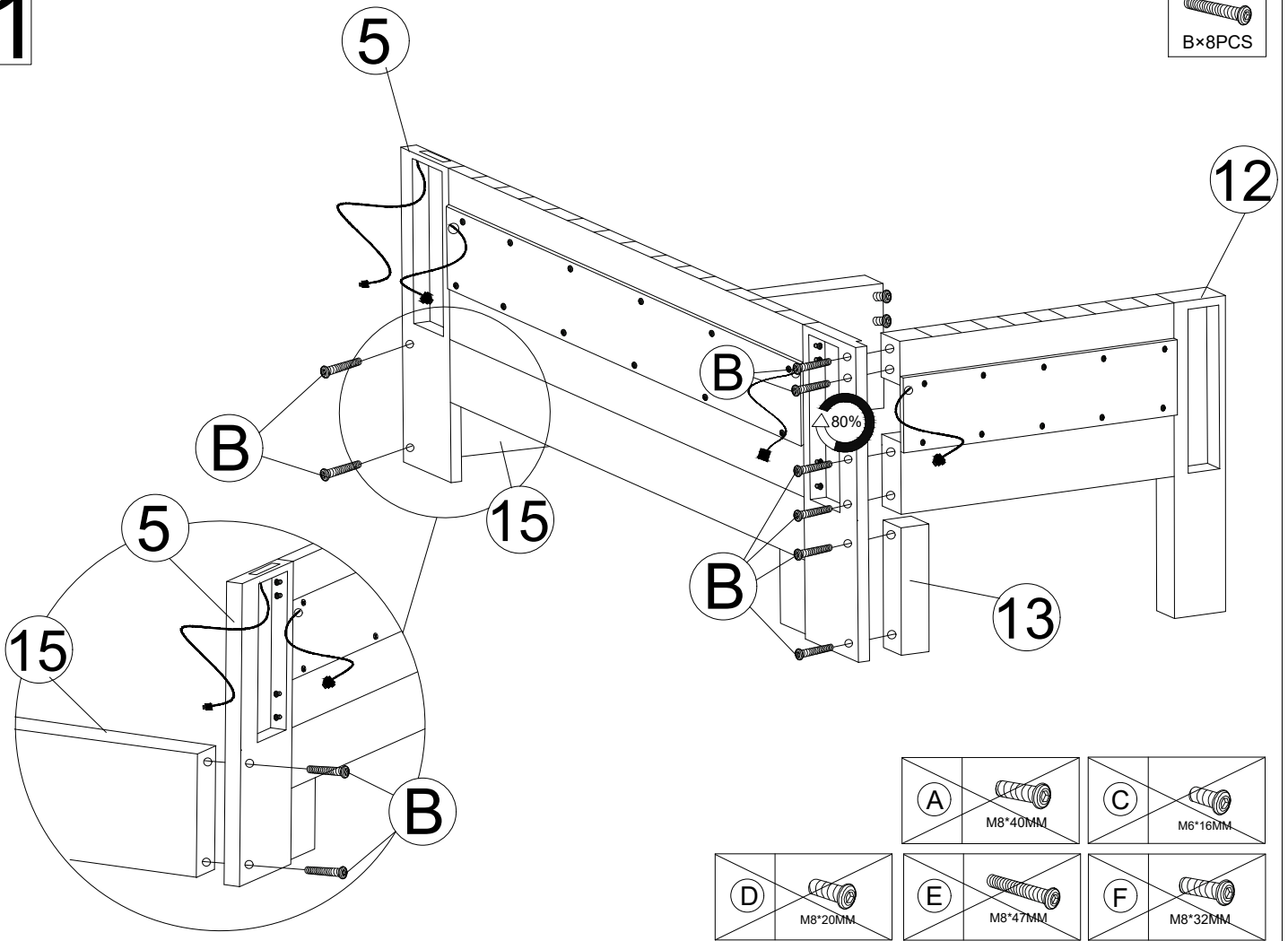
# 10

M8\*32MM  
F×2PCS

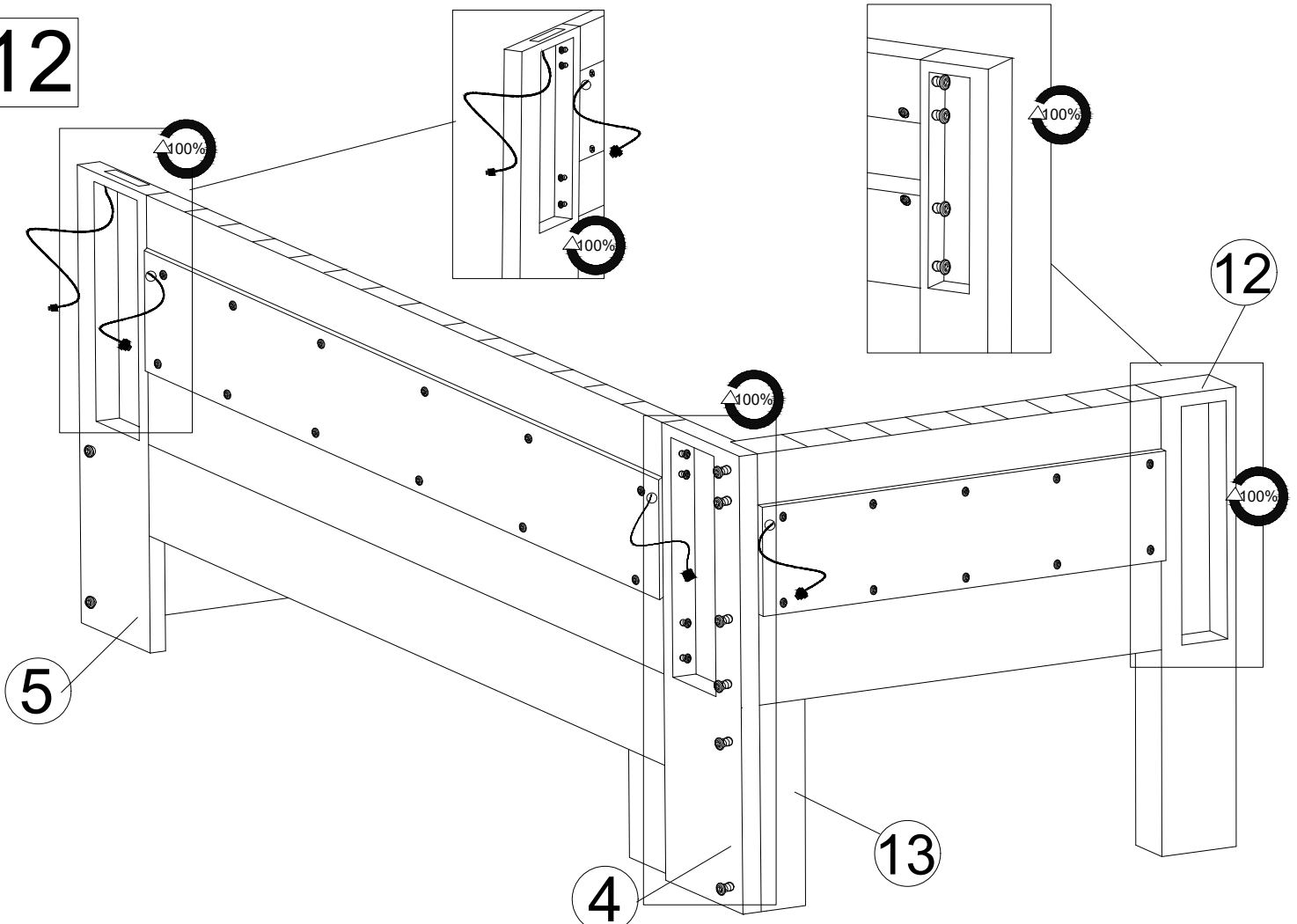


# 11

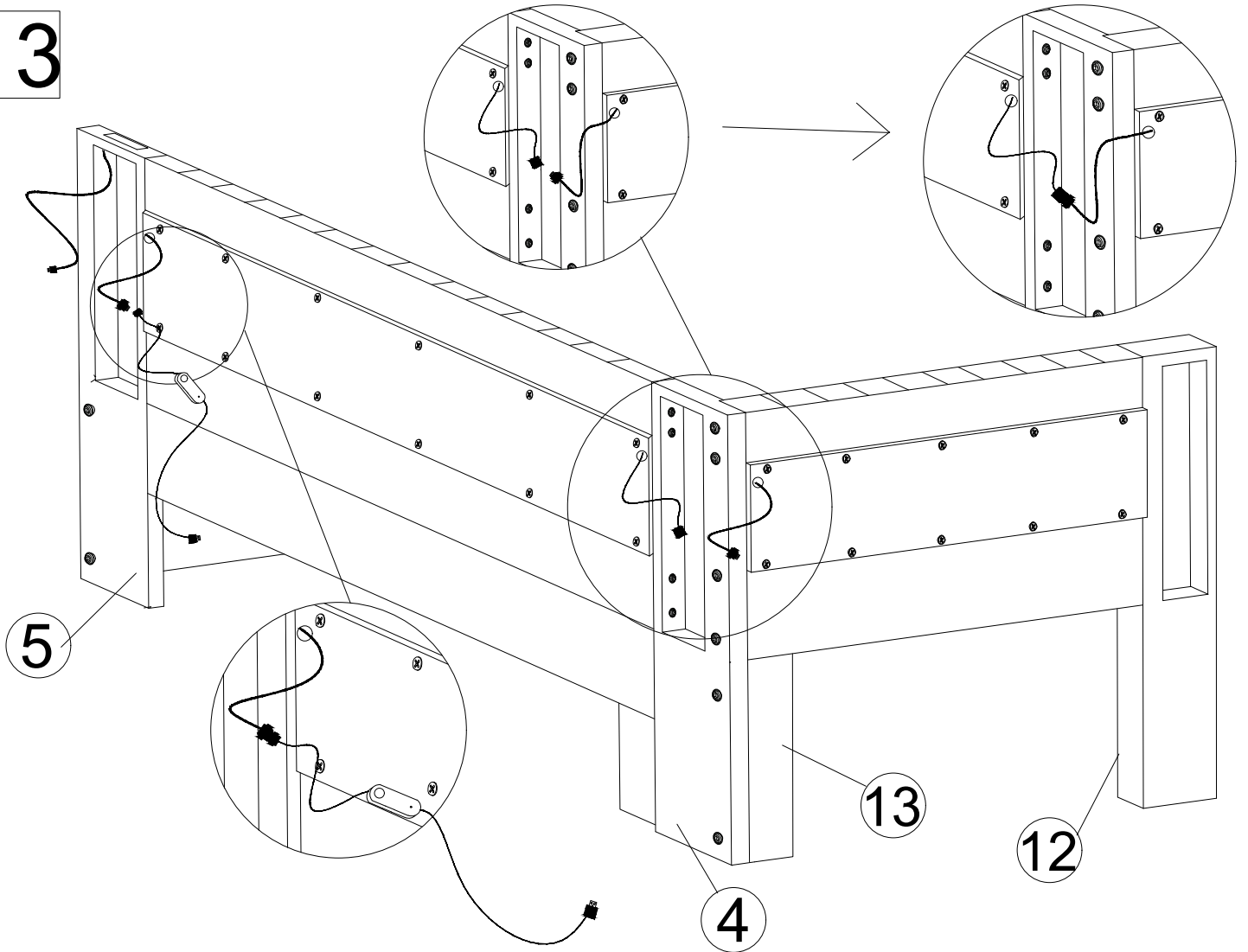
M8\*55MM  
B×8PCS



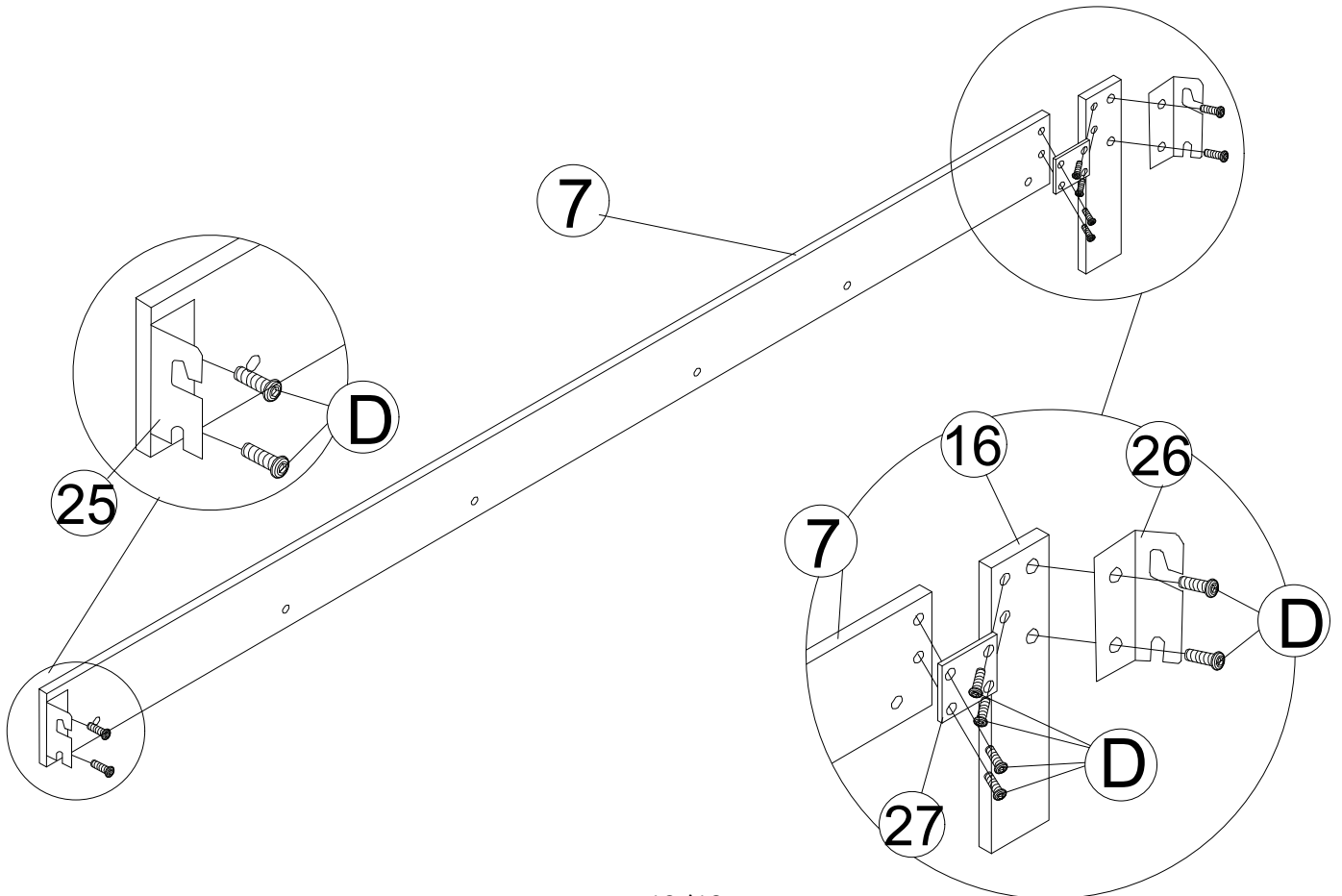
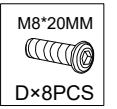
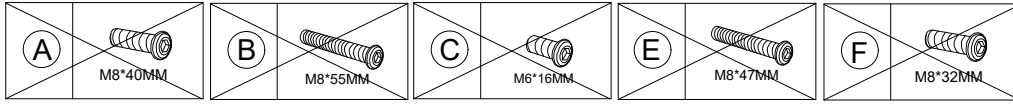
# 12





13

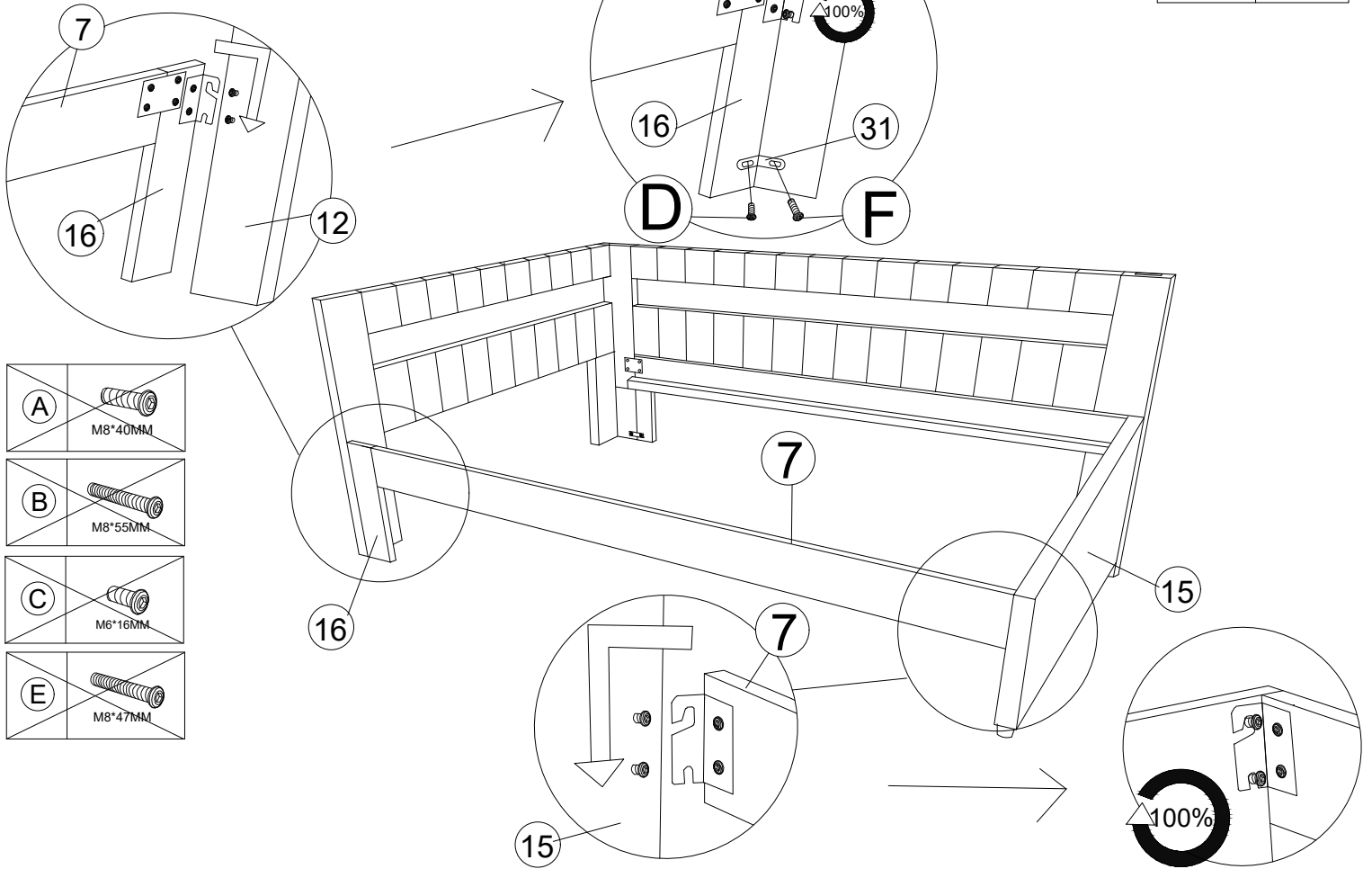



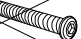


14



# 15

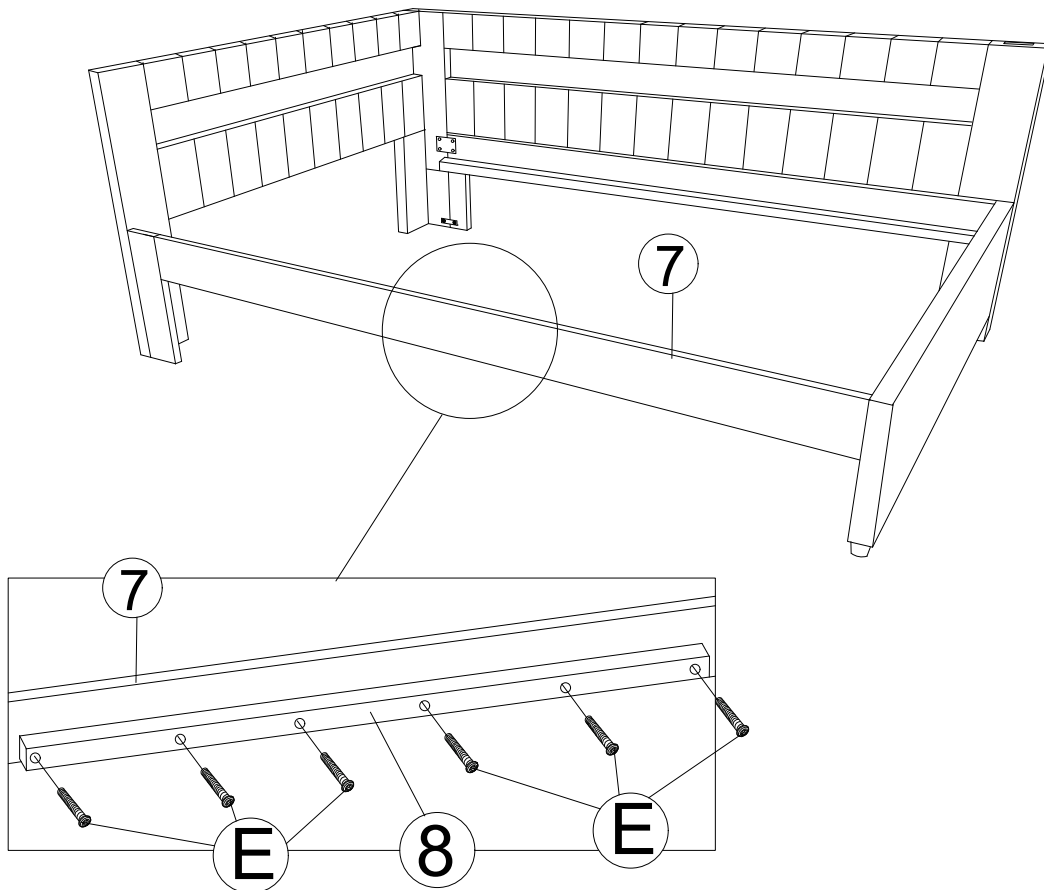
M8*20MM 	M8*32MM 
D×1PCS	F×1PCS

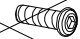
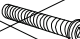





<del>A</del>	<del></del>	<del>M8*40MM</del>
<del>B</del>	<del></del>	<del>M8*55MM</del>
<del>C</del>	<del></del>	<del>M6*16MM</del>
<del>E</del>	<del></del>	<del>M8*47MM</del>

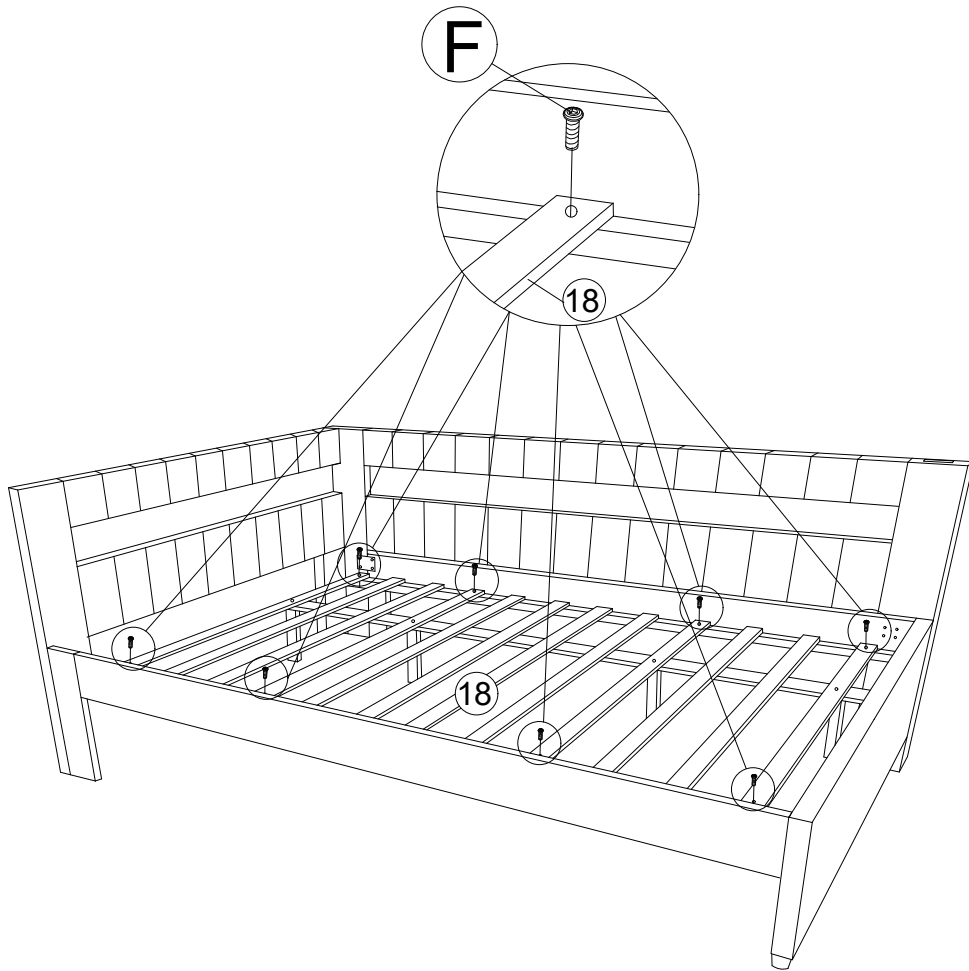
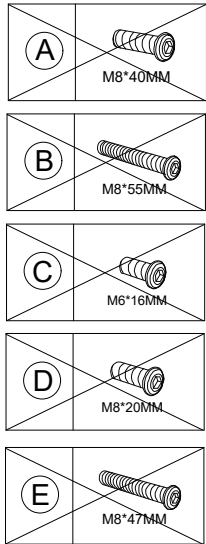
# 16

M8*47MM 
E×6PCS

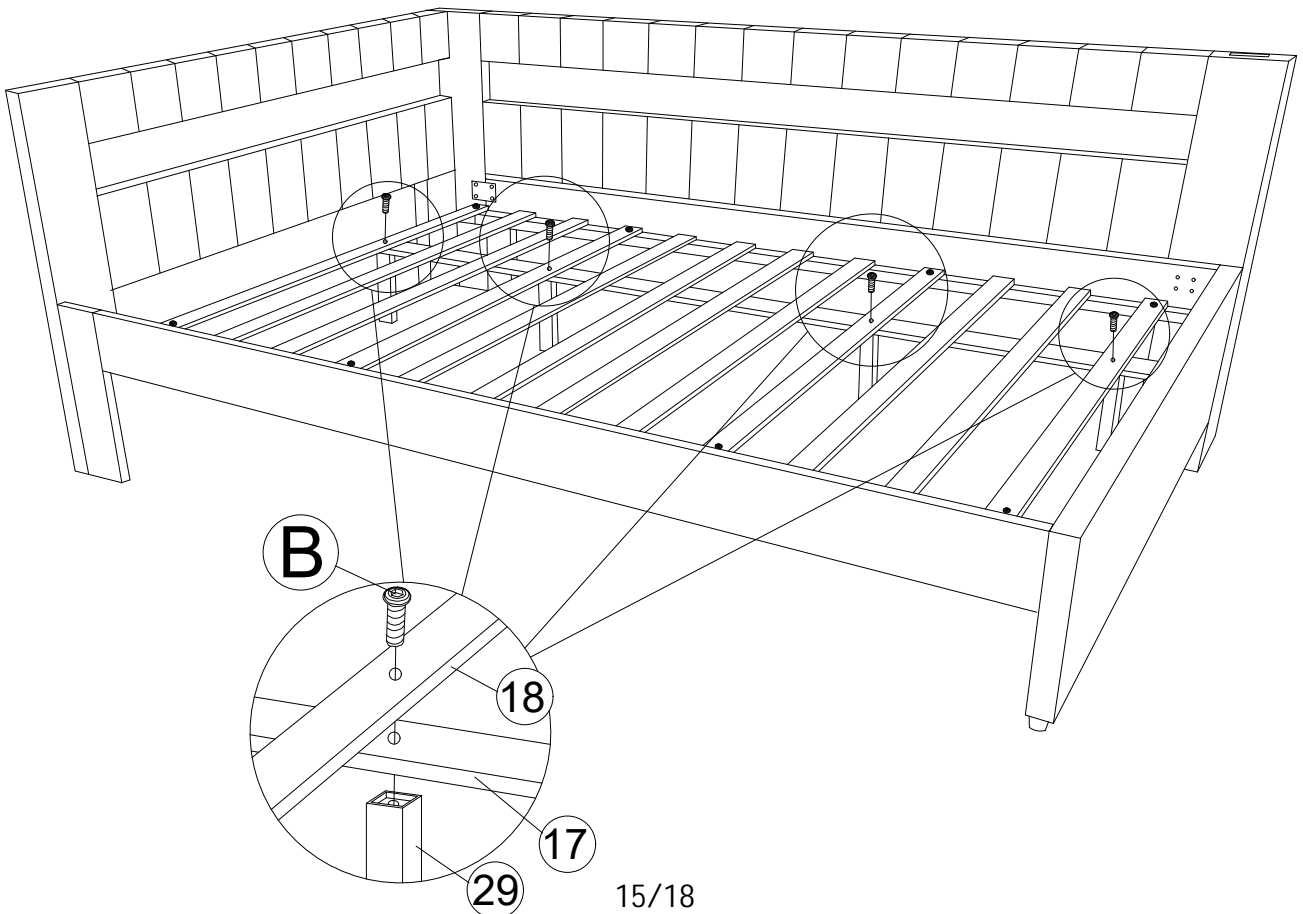
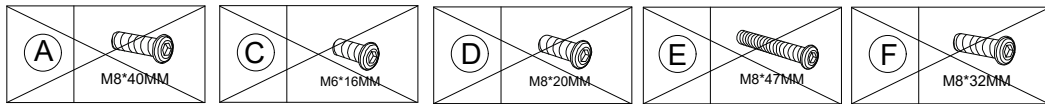


<del>A</del>	<del></del>	<del>M8*40MM</del>
<del>B</del>	<del></del>	<del>M8*55MM</del>
<del>C</del>	<del></del>	<del>M6*16MM</del>
<del>D</del>	<del></del>	<del>M8*20MM</del>
<del>F</del>	<del></del>	<del>M8*32MM</del>

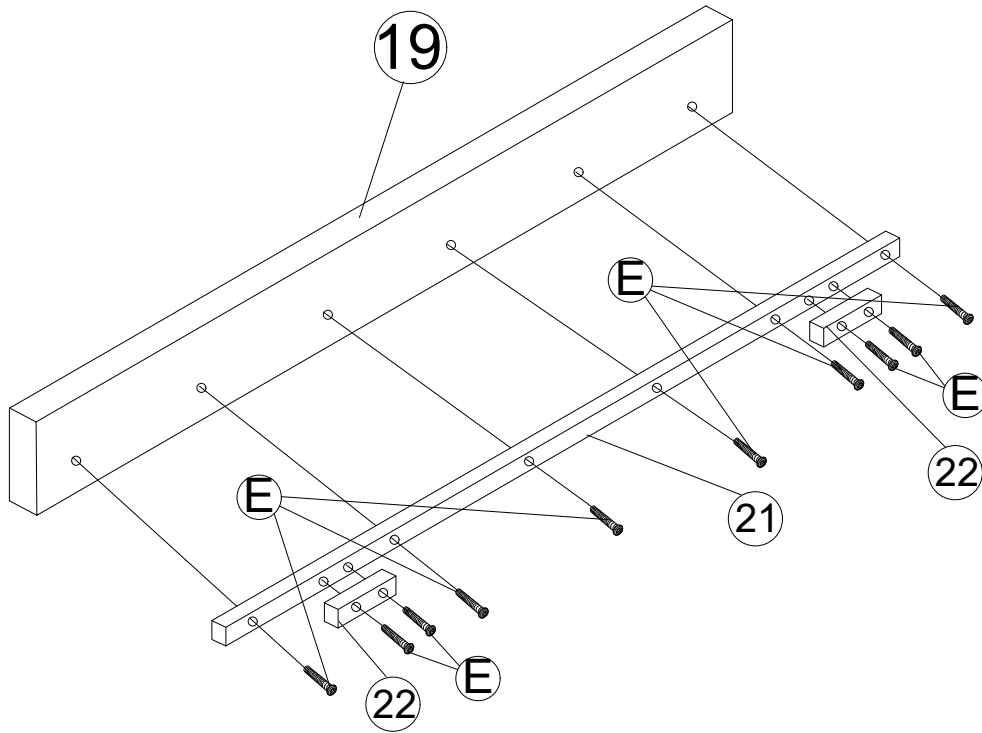
# 17



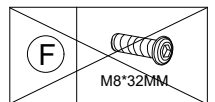
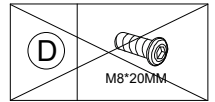
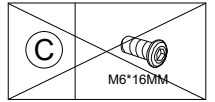
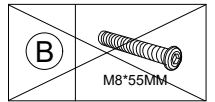
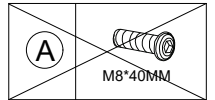
# 18



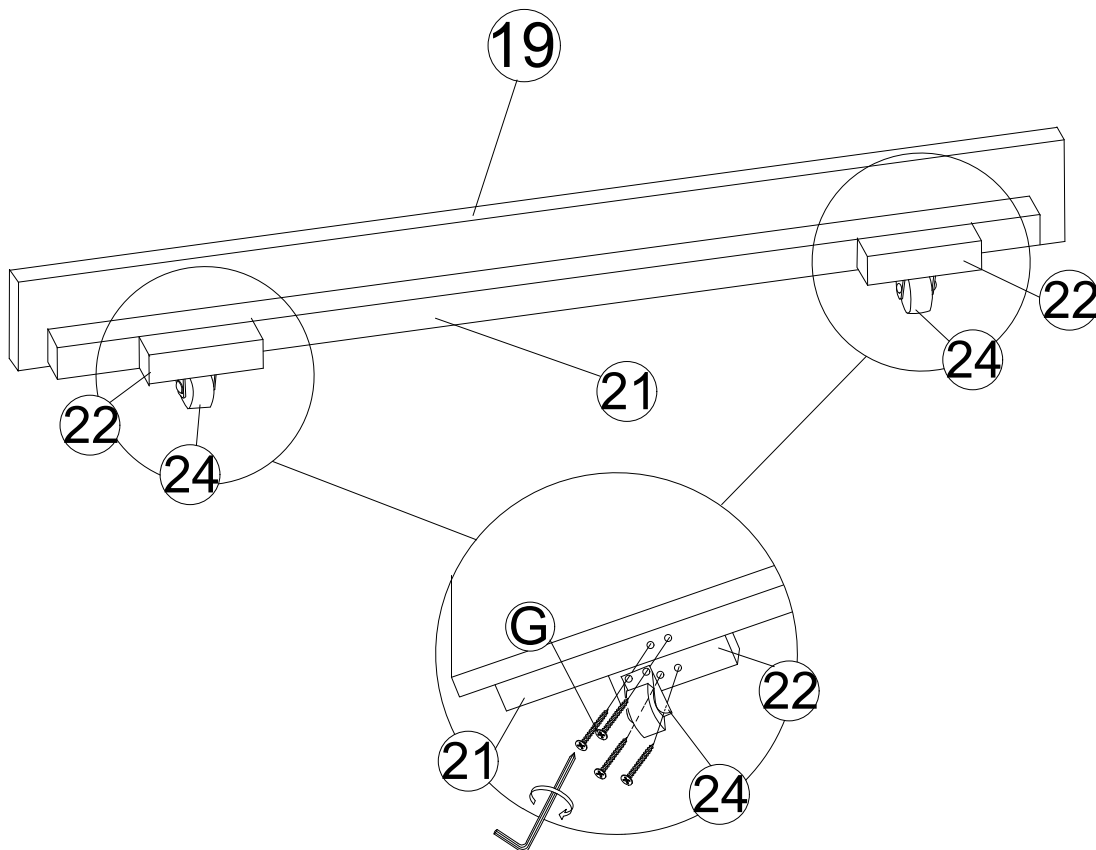
19



M8\*47MM  
E×10PCS



20

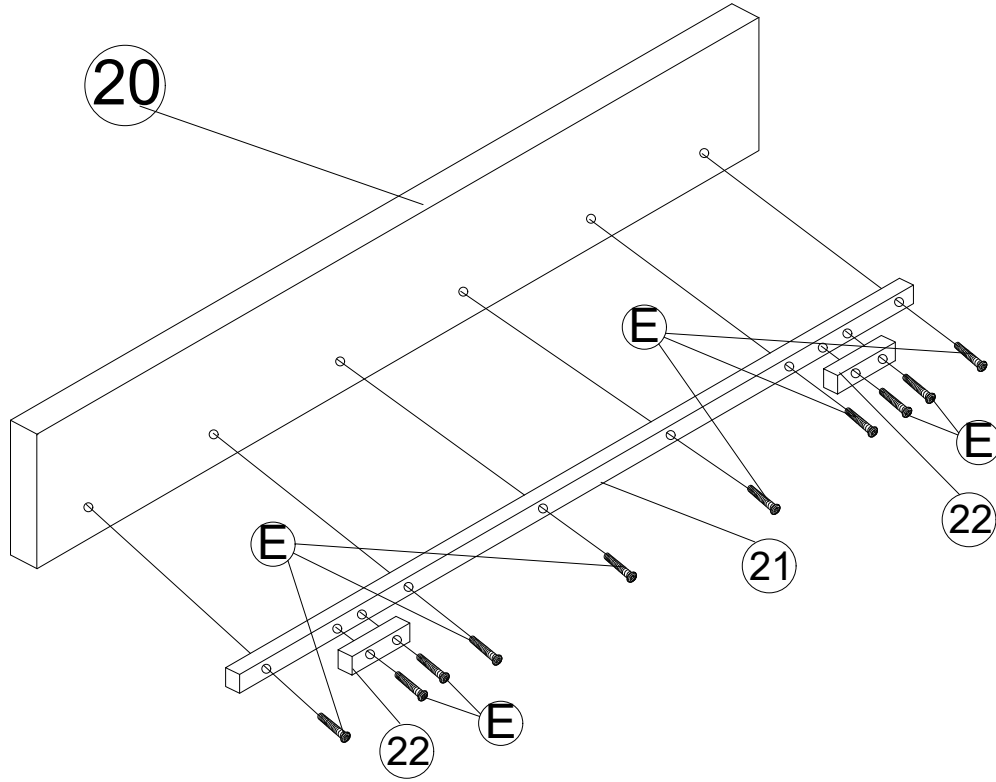


φ3\*20  
G×8PCS

21

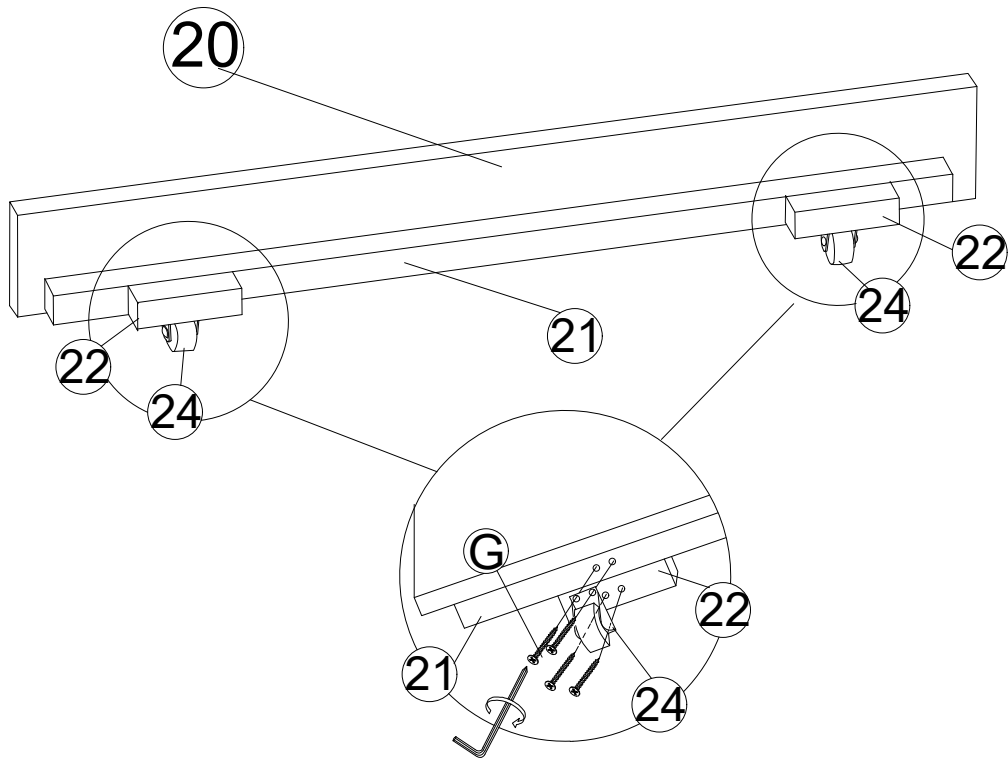
M8\*47MM  
E×10PCS

<del>A</del>	<del>M8*40MM</del>
<del>B</del>	<del>M8*55MM</del>
<del>C</del>	<del>M6*16MM</del>
<del>D</del>	<del>M8*20MM</del>
<del>F</del>	<del>M8*32MM</del>



22

φ3\*20  
G×8PCS

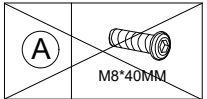


23

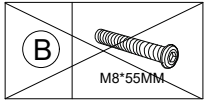
M8\*32MM



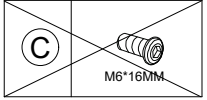
F\*8PCS



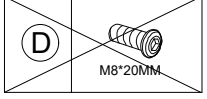
M8\*40MM



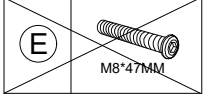
M8\*55MM



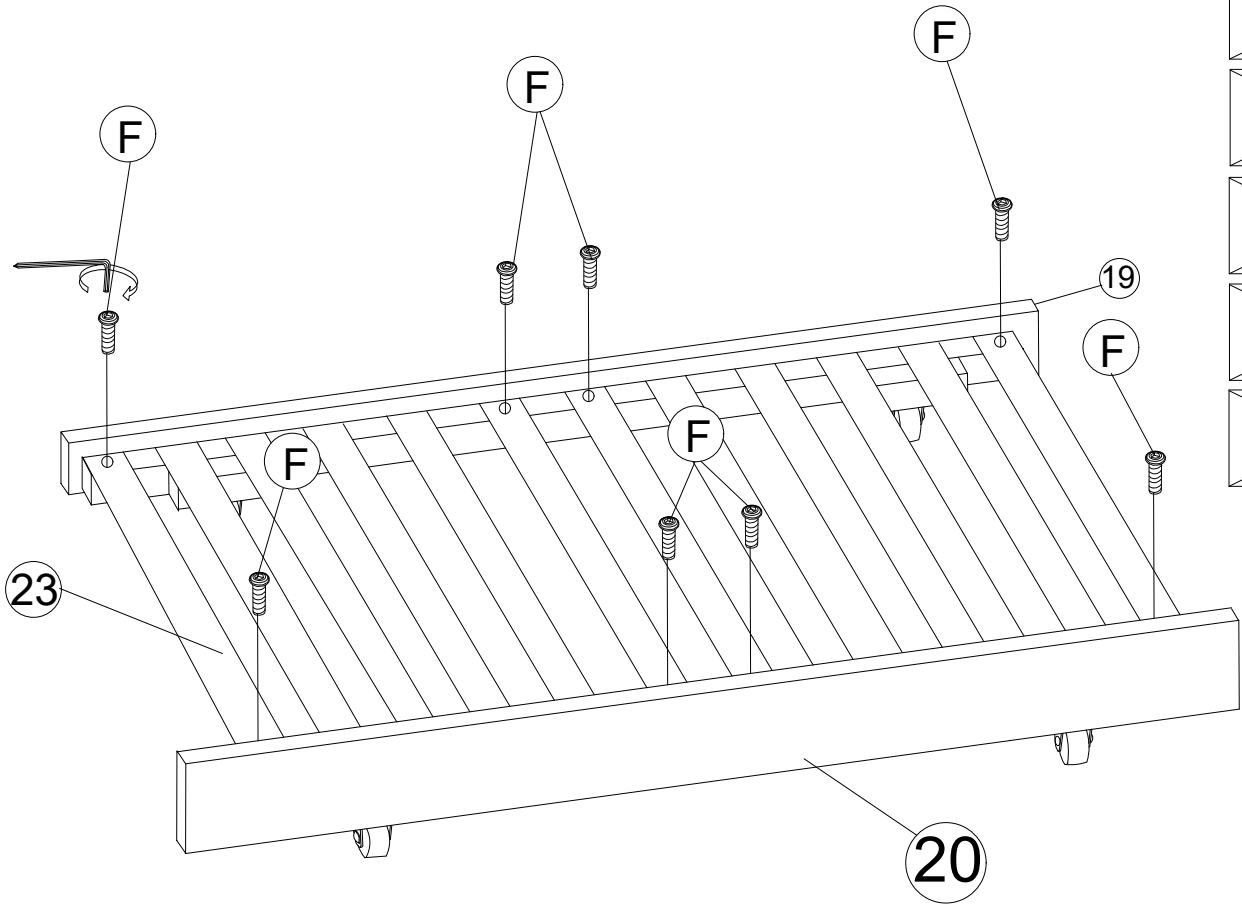
M6\*16MM



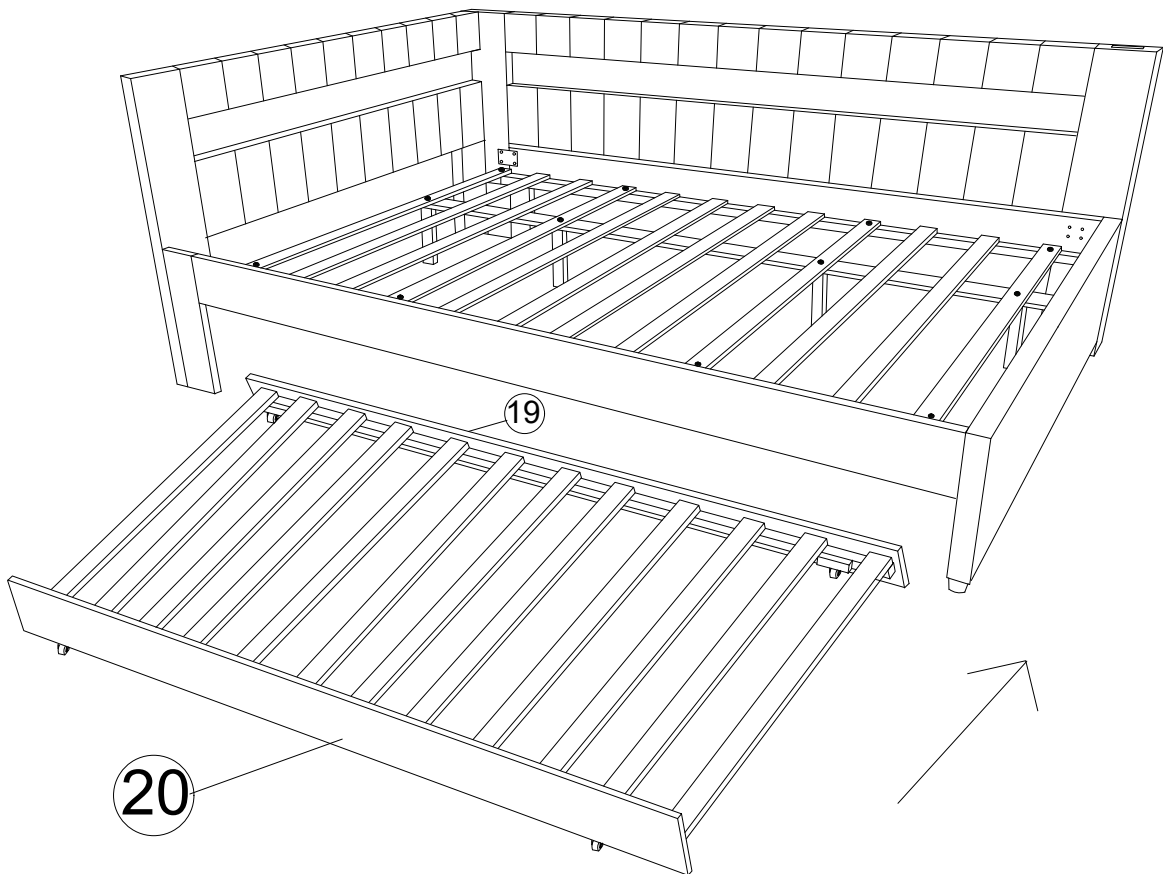
M8\*20MM



M8\*47MM



24



# LotusLantern APP Manual

## 1. Software Overview

### 1.1 Overview

LotusLantern is a mobile APP to control LED strip by both Apple and Android phones.

The traditional control ways like infrared, 433MHz, 2.4GHz and others old wired ways will be replaced by mobile phone control way with convenient, powerful and scalable features.

Through this mobile APP, you can not only control the color, brightness and color temperature of the LED strips but also set up all kinds of fancy flash mode; Also this APP can change the light of the LED strip according to the rhythm of the music. This APP can set and control several LED strips through Bluetooth and the operation is very simple, easy to learn and easy to use.

### 1.2 Features

- Adjust color LED strips with 60,000 colors to change color and brightness and adjust monochrome LED strips to change brightness and color temperature
- Play music or turn on a sound playback device, you can let the light change the color and brightness with the rhythm of music, the music rhythm beautiful
- Inside multiple setting mode for color change and control LED strips without mobile
- Long distance control with omni-directional antenna, and many-to-many group control mode
- Once the connection is successful, connect automatically next time

## 1.3 Performance

LotusLantern APP is easy for use as well as great compatible for all kinds of smart phones; After the actual test of hundreds of mobile phones verification, the compatibility is above 95% of mobile phones in the market. APP is small and convenient, it consumes less system resources, so the requirements of the mobile configuration are low. Control delay is small, the operation feel good, light control is smooth with people's visual sense.

## 2. Operating Environment

This APP program requires phones of system above Andriod 4.3 and iOS 8.0. Mobile phone configuration is not limited.

## 3. Instuctions

Note: Android version and iOS version download and use the same method, here in the Android version as an example.

### 3.1 APP Download

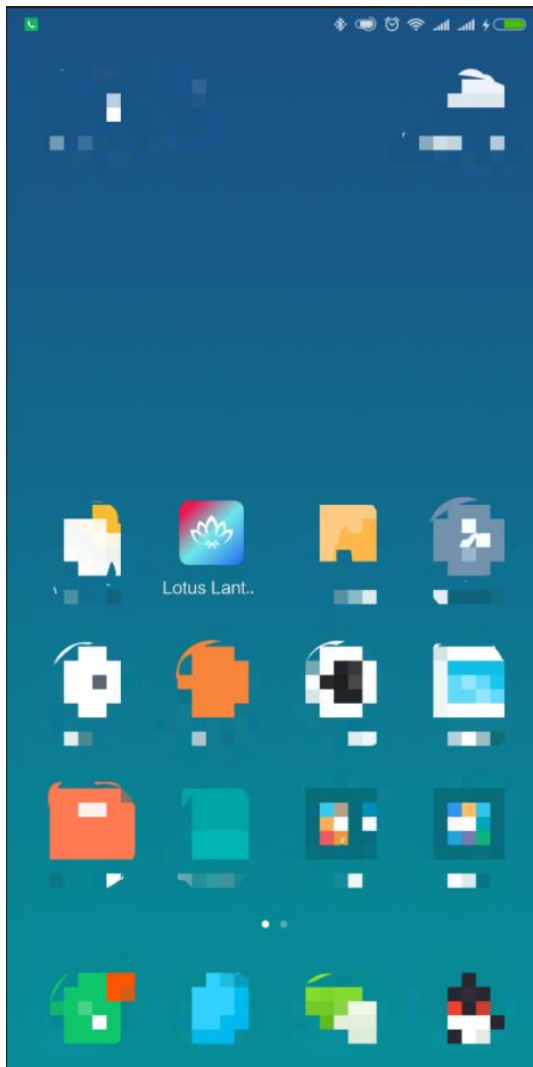
- Scan the QR code

iOS and Android systems can download the "LotusLantern" APP by scanning the QR code. Open the browser or other tools with "Scan QR code" function, scan the "LotusLantern" QR code as below:

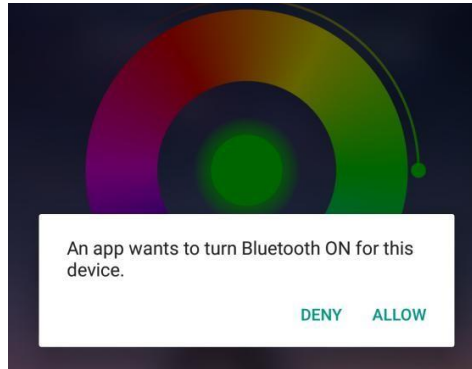


### 3.2 App Operation

- (1) Click on the LotusLantern APP icon, enter the APP page:



(2) After entering the APP interface, if Bluetooth is not enabled, "an application wants to enable the Bluetooth function of this device." Click [Allow]



(3) switch to color and brightness interface:

A screenshot of a mobile application interface for color and brightness control. The interface is dark-themed. At the top left is a hamburger menu icon. At the top center is a vertical double-headed arrow icon. At the top right is a gear icon. Below the top icons is a color wheel. To the right of the color wheel is a toggle switch. Below the color wheel is a section for RGB values: R 98, G 193, B 111. Below the RGB values is a brightness slider. Below the slider is a "Preset" section with several color swatches, including one labeled "CCT" and one labeled "W". Below the "Preset" section is a "Classic" section with several color swatches. At the bottom is a navigation bar with icons for "Adjust", "Style", "Music", "Online", and "Mic".

Click to show the lamp list

Switch the color wheel

Click to display setting view

Lamp switch button

Adjust the color

Display the RGB value  
Click to manual adjustment view

Click square icon to adjust the color

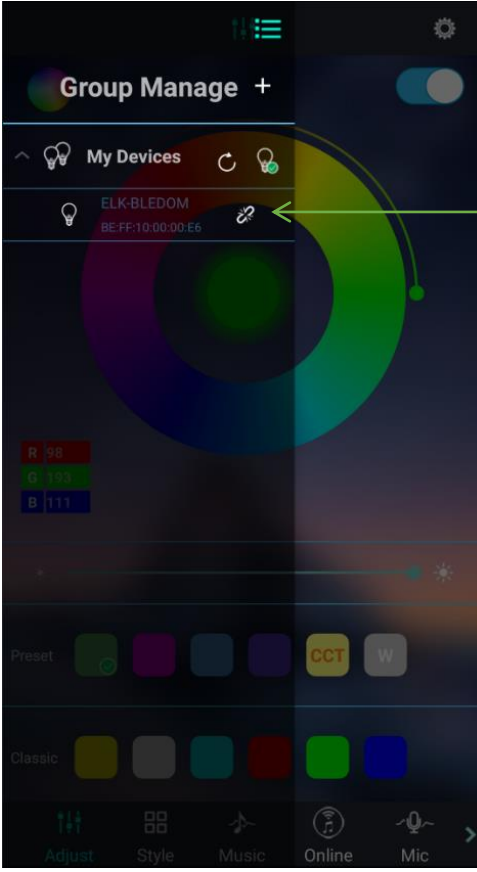
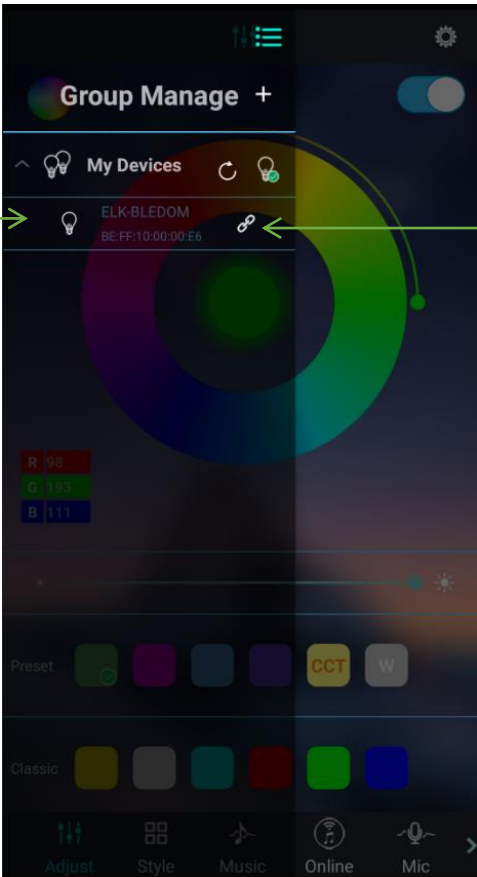
Click to shift the interface

(4) click to show the lamp list, view lamp list:

Bluetooth auto connect after search for devices

Lamp list

Status of device connection

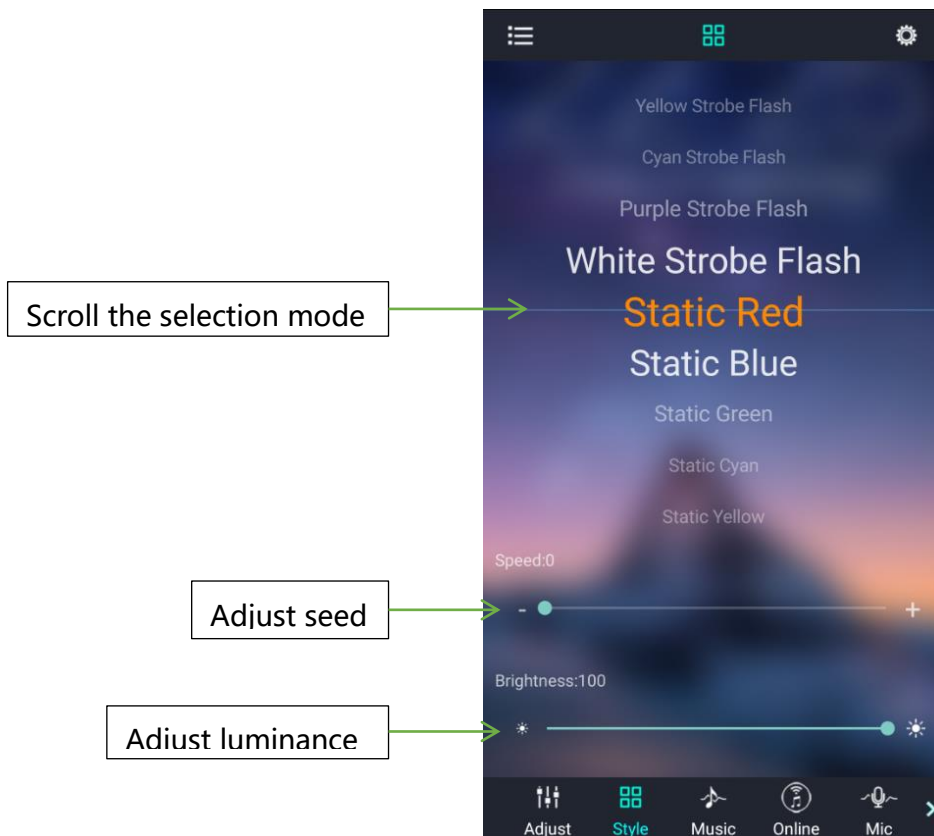


Status of device connection

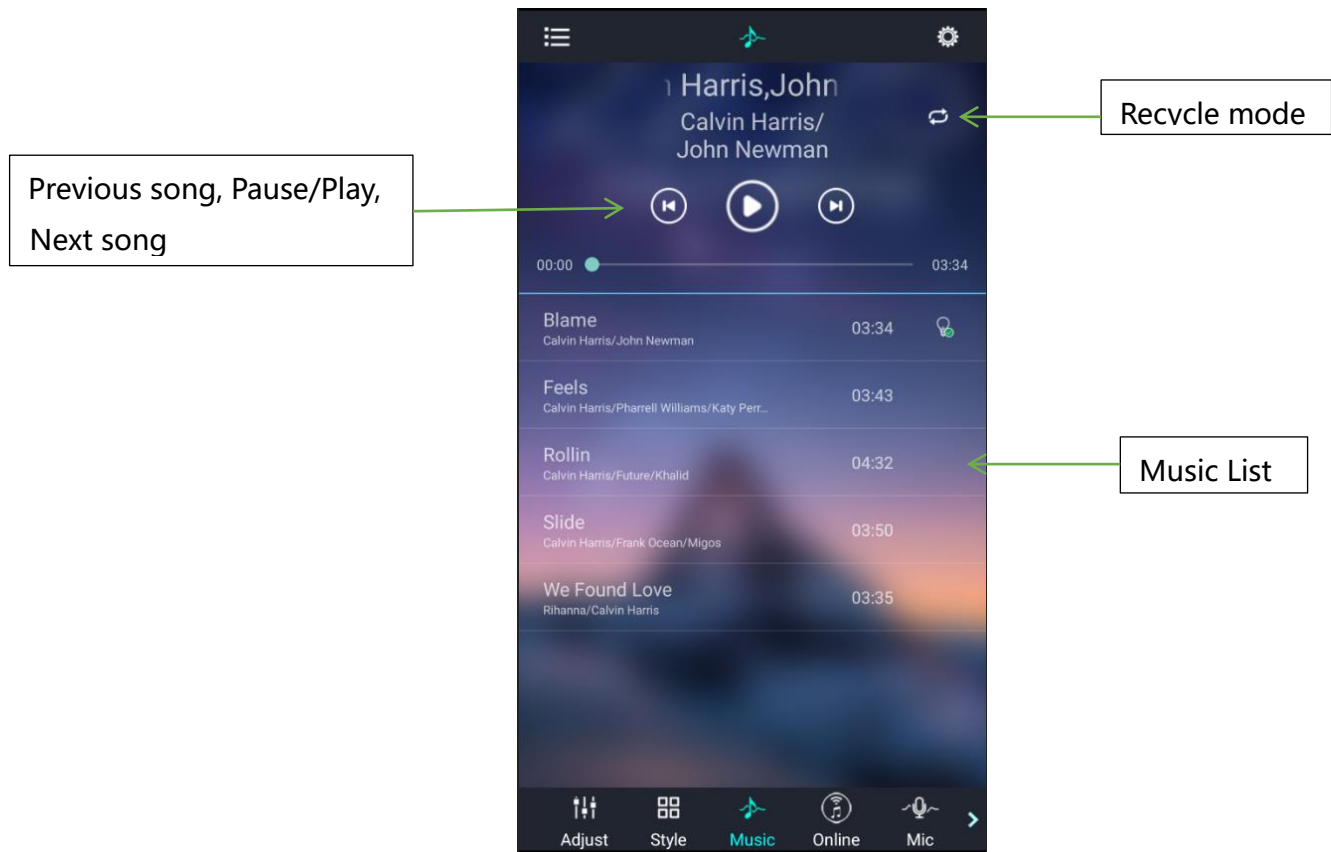
(5) Click to RGB manual adjustment view:



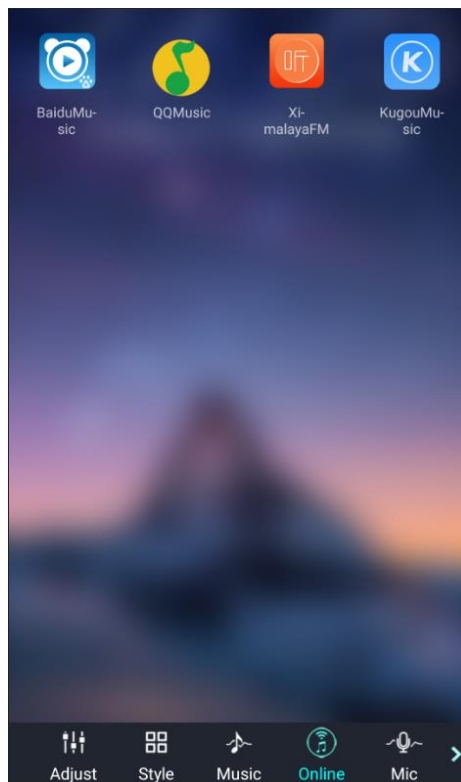
(6) switch to the mode interface:



(7) switch to the music rhythm interface:

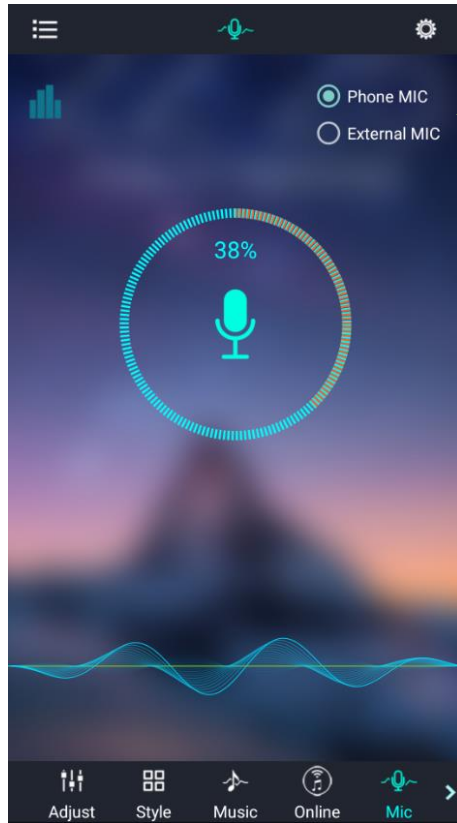


(8) Switch to the online music interface:



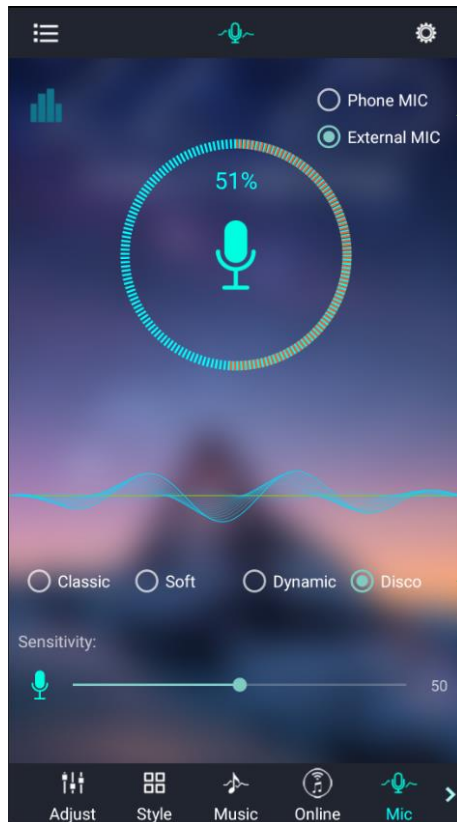
(9) Switch to the microphone rhythm interface:

Music rhythm through cell phone microphone



Switch phone microphone and external microphone

Music rhythm through the microphone on the product



Switch phone microphone and external microphone

4-style rhythm

Change the sensitivity of MIC to match the sound

(10) Switch to the schedule interface:

Annotations for the 'Schedule' interface:

- Enable or disable the Light-On function (points to the 'Schedule On' toggle)
- Repeat setting  
No selection for once Light-On (points to the 'Repeat' buttons under 'Schedule On')
- Enable or disable the Light-Off function (points to the 'Schedule Off' toggle)
- Repeat setting  
No selection for once Light-Off (points to the 'Repeat' buttons under 'Schedule Off')
- Set the time of Light-On (points to the 'Time' field under 'Schedule On')
- Set the time of Light-Off (points to the 'Time' field under 'Schedule Off')

(11) Switch to the modify pin sequence interface:

Annotations for the 'Modify Pin Sequence' interface:

- Click to save the new assignment (points to the central pin connector)
- Change the real color of this line (points to the 'R' button in the top-left position)

# Verification of Compliance

**Verification No.:** MK25070091P01-E01

**Name and address of Applicant:** **Shenzhen CWG Technology Co., Ltd**  
3/F, Building A, Yongshenghui Industrial Park, Chuangye Road, Shiyan Street, Bao'an District, Shenzhen

**Name and address of Manufacturer:** **Shenzhen CWG Technology Co., Ltd**  
3/F, Building A, Yongshenghui Industrial Park, Chuangye Road, Shiyan Street, Bao'an District, Shenzhen

**Product name:** **LED Strip**

**Rated:** 5V ---

**Product model(s):** CWG-5050RGB-60D-5V, CWG-5050RGB-30D-12V, CWG-5050RGB-18D-12V, CWG-5050RGB-60D-24V, CWG-5050RGB-60D-12V, CWG-5050RGB-30D-5V, CWG-5050RGB-18D-5V, CWG-5050-60D-12V, CWG-5050-30D-12V, CWG-5050-60D-24V, CWG-HC5050RGB-60D-12V, CWG-HC5050RGB-30D-12V, CWG-HC5050RGB-60D-24V, CWG-HC5050-60D-12V, CWG-HC5050-30D-12V, CWG-HC5050-60D-24V, CWG-HC5050RGB-30D-5V, CWG-HC5050RGB-60D-5V, CWG-HC5050RGB-144D-5V, CWG-2835-60D-12V, CWG-2835-120D-12V, CWG-2835-60D-24V, CWG-2835-120D-24V, CWG-2835-60D-5V, CWG-2835-120D-5V

**Product trademark:** 创唯光

This verification confirms that the product meets the requirements of the following standard. The conformity was demonstrated based on following standard(s) listed by European Commission as harmonized with EMC Directive 2014/30/EU.

EN IEC 55015:2019+A11:2020  
EN IEC 61547:2023

*The verification has been carried out in accordance with individual rules and conditions agreed with the applicant. Evaluation has been carried out in accordance with:*

**Test report(s) No.:** MK25070091P01-E01  
**Test conducted by:** TMC Testing Services (Shenzhen) Co., Ltd.  
**Verification issue date:** July 17, 2025

**Notes:**

*This verification refers to the above mentioned product and its conformity in regards of above mentioned standard(s) was proven on test sample.*

*This verification does not imply meeting all essential requirements, assessment of the series-production or any other restricted Notified Bodies conformity assessment procedure appropriate for the product.*

*This verification holder shall use this verification in connection to verification of conformity and technical data relevant for the product the verification was issued.*

**TMC Testing Services (Shenzhen) Co., Ltd.**

t:86-755-86642861 cert@tmc-lab.com www.tmc-lab.com

1st Floor, Block A1, Zone A, Xinshidai Gongrong Industrial Park, No. 2, Shihuan Road, Shiyan Street, Baoan District, Shenzhen, China





Product Service

# Attestation of Conformity

No. E8A 128892 0006 Rev. 00

**Holder of Attestation:** **GUANG TAI ENTERPRISE CO., LTD.**Rm 402, Bldg 4. No.2 Dapianmei Rd.  
Dapianmei Village, Dalingshan  
523000 Dongguan, Guangdong  
PEOPLE'S REPUBLIC OF CHINA**Name of Object:** **Power supply  
(Furniture Power Distribution Unit)****Model(s):** **JN00-00-02K, JN00-00-03K, JN00-00-04K, JN02-00-21,  
JN02-00-22, JN02-00-23, JN02-00-23K, JN02-00-24K,  
JN02-00-24, JN02-00-22M, JN02-00-23M, JN02-00-23KM****Description of Object:** Ratings:  
Input: 220-250VAC, 50Hz, Max 16A, Max 3680W  
USB A1/USB A2 Output: 5.0VDC, 2.1A, 10.5W Max  
Total USB output: 5.0VDC, 2.1A, 10.5W Max  
Protection Class: I**Tested according to:** EN 55032:2015/A1:2020  
EN 55035:2017/A11:2020  
EN IEC 61000-3-2:2019/A1:2021  
EN 61000-3-3:2013/A2:2021

This Attestation of Conformity is issued on a voluntary basis according to the Directive 2014/30/EU relating to electromagnetic compatibility. It confirms that the listed apparatus complies with the principal protection requirements of the directive and is based on the technical specifications applicable at the time of issuance. It refers only to the particular sample submitted for conformity assessment. For details see: [www.tuvsud.com/ps-cert](http://www.tuvsud.com/ps-cert)

**Test report no.:** 657602423101**Date,** 2025-01-10

( Laurent Yuan )

Page 1 of 1

This Attestation does not replace the regulatory EU Declaration of Conformity (DoC) and does not allow for CE marking. After preparation of the necessary documentation and establishing compliance to requirements of all applicable directives, the manufacturer may sign a DoC and apply the CE marking. The DoC is issued under the sole responsibility of the manufacturer.