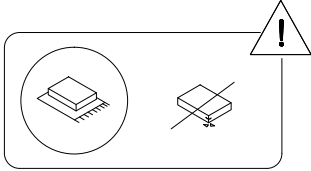
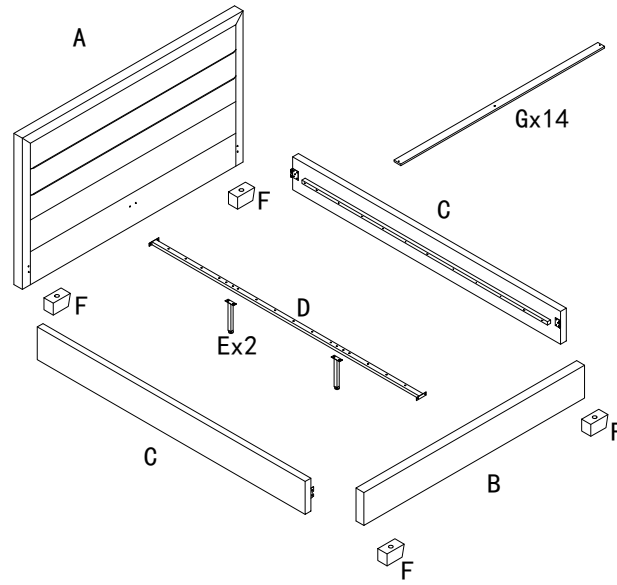


45'



2

1/6

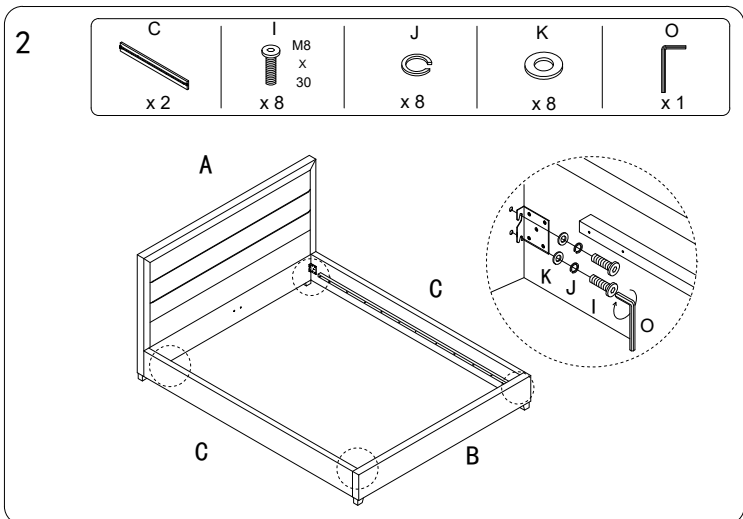
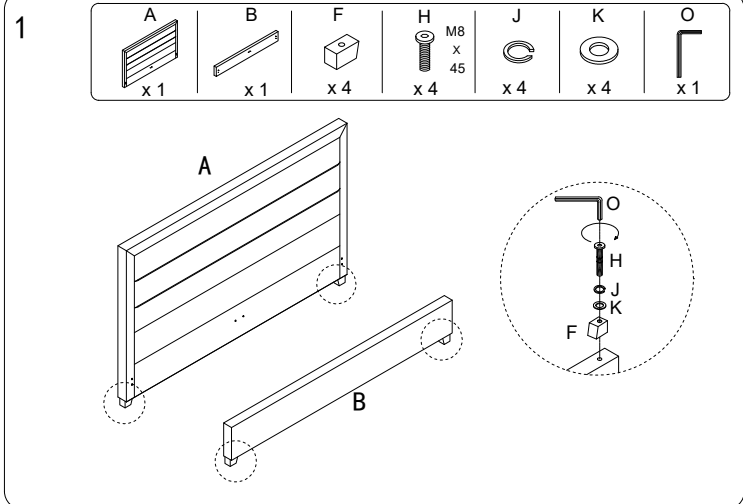


2/6

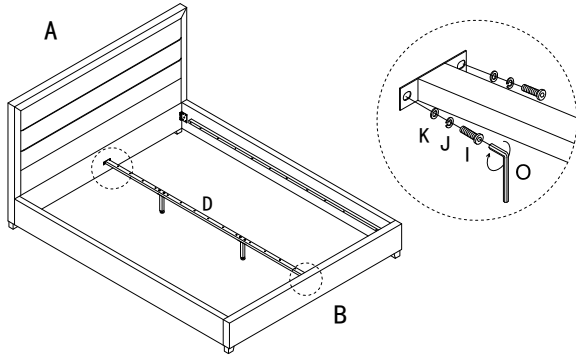
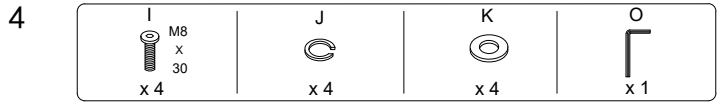
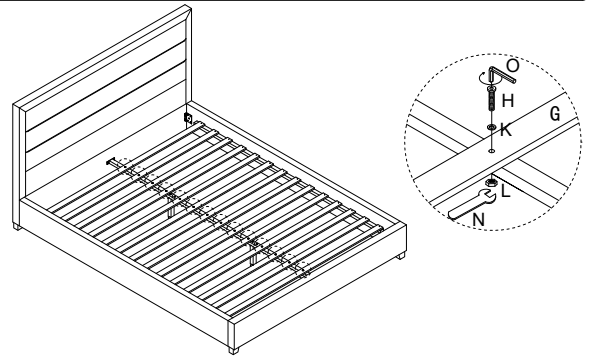
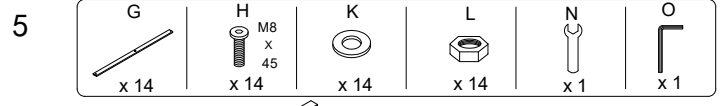
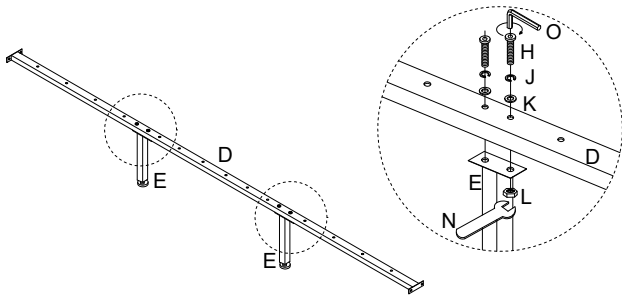
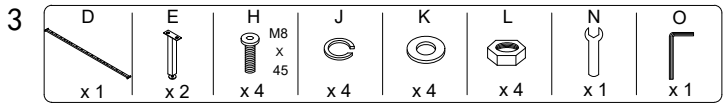
A x1	B x1	C x2	D x1
E x2	F x4	G x14	

H x22	I x12	J x20	K x34
L x18	M x28	N x1	O x1

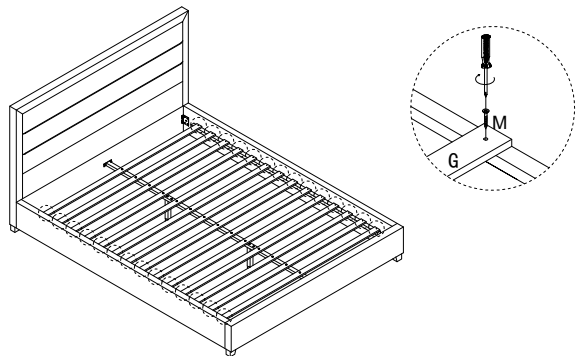
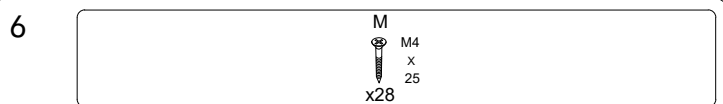
3/6



4/6



5/6



6/6