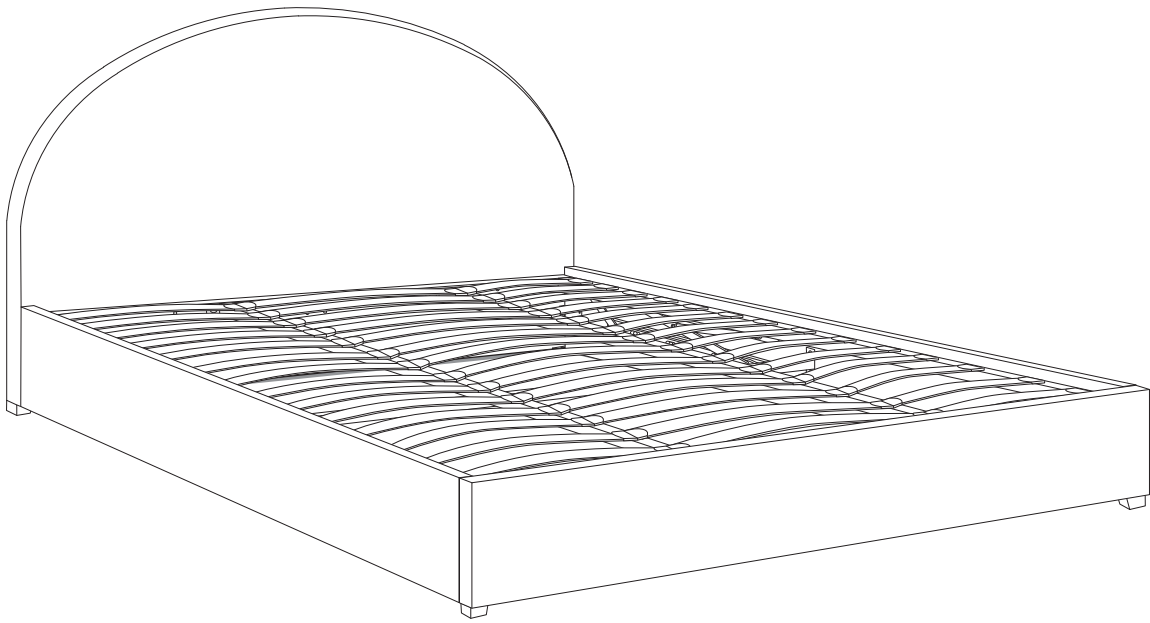
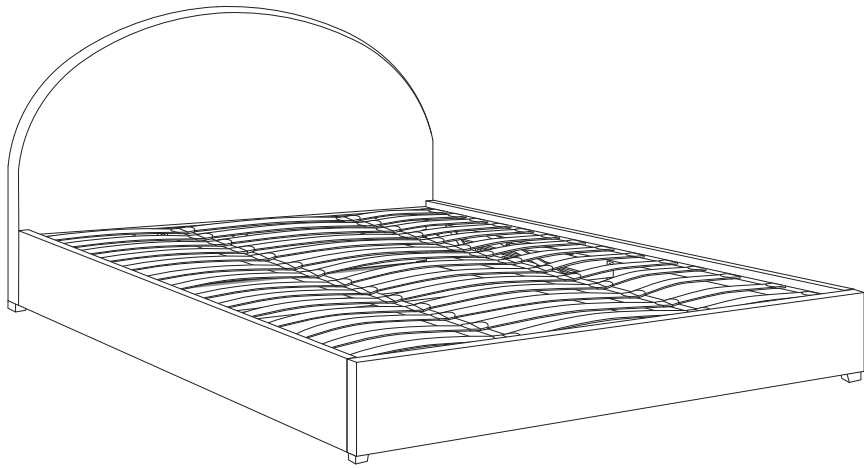
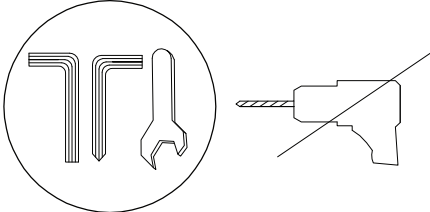

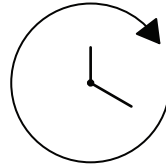
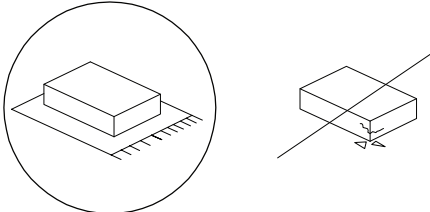

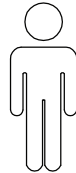
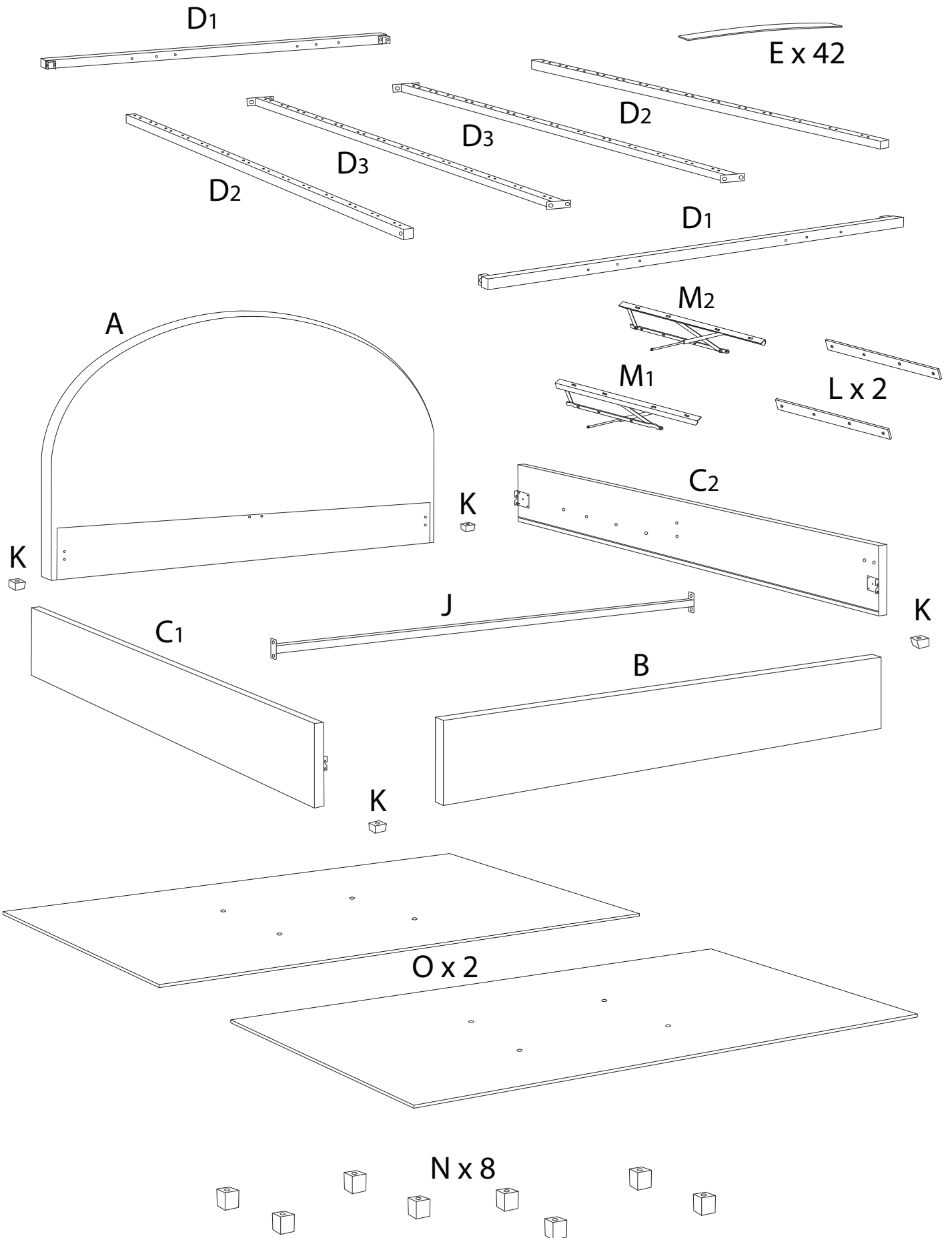


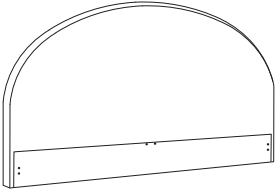
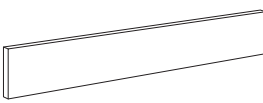
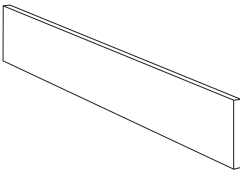
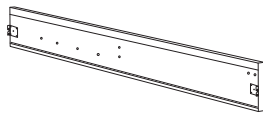

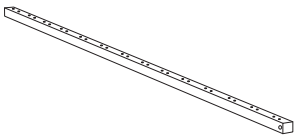
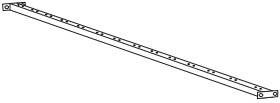

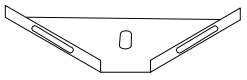

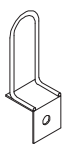
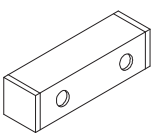

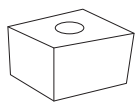
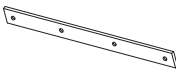
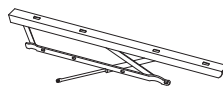
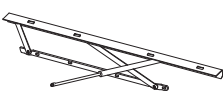
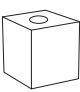
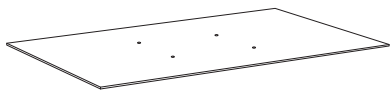
VAUCLUSE

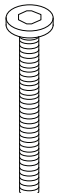


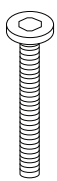


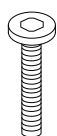
		
		
		2

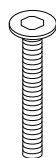


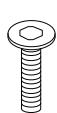
<p>A</p>  <p>x 1</p>	<p>B</p>  <p>x 1</p>	<p>C1</p>  <p>x 1</p>	<p>C2</p>  <p>x 1</p>
<p>D1</p>  <p>x 2</p>	<p>D2</p>  <p>x 2</p>	<p>D3</p>  <p>x 2</p>	<p>E</p>  <p>x 42</p>
<p>F</p>  <p>x 2</p>	<p>G</p>  <p>x 1</p>	<p>H</p>  <p>x 2</p>	<p>I</p>  <p>x 2</p>
<p>J</p>  <p>x 1</p>	<p>J</p>  <p>x 4</p>	<p>L</p>  <p>x 2</p>	<p>M1</p>  <p>x 1</p>
<p>M2</p>  <p>x 1</p>	<p>N</p>  <p>x 8</p>	<p>O</p>  <p>x 2</p>	

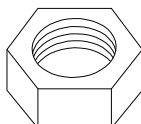
1

M8
x
55
x 4

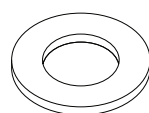
2

M8
x
45
x 22

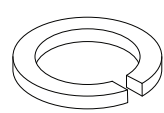
3

M8
x
30
x 16

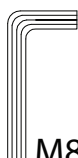
4

M6
x
40
x 8

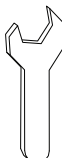
5

M6
x
20
x 12


6

x 18

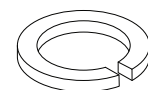
7

M8
x 42

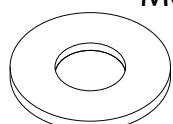
8

M8
x 34

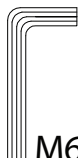
9

M8
x 1

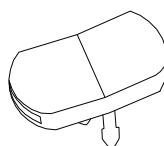
10

x 1

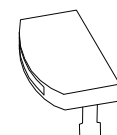
11

x 1

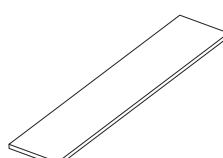
12

M6
x 20

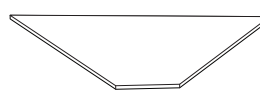
13

M6
x 20

14

M6
x 1

15

x 28

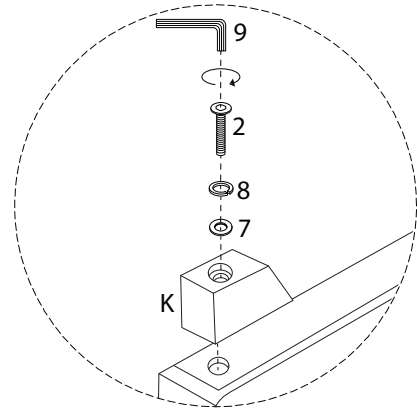
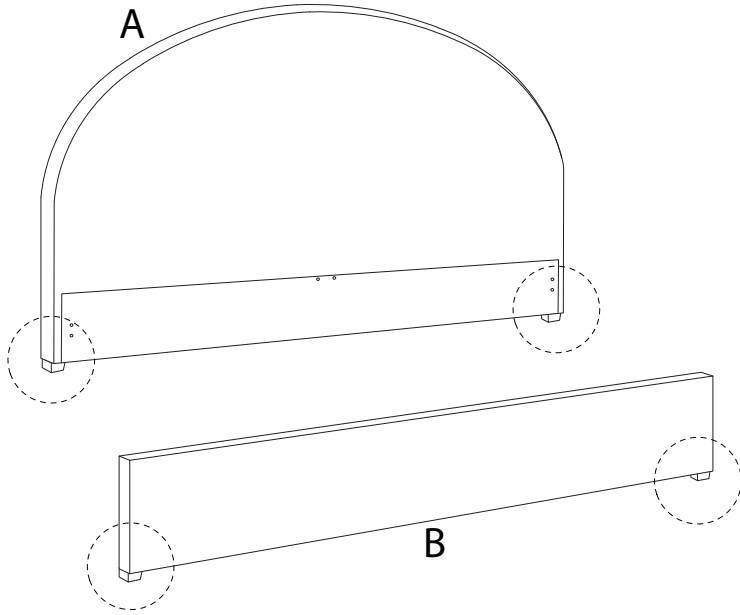
16

x 28

17

x 4

18

x 2

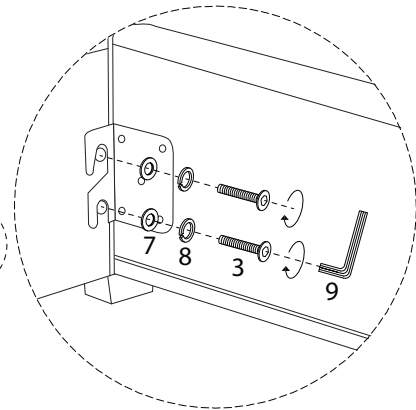
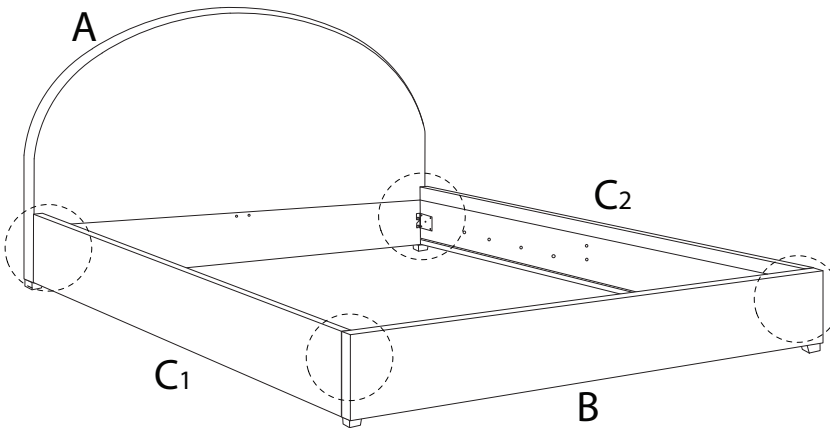
1

A x 1	B x 1	K x 4	2 x 4	7 x 4	8 x 4	9 x 1
---------------------	---------------------	---------------------	---------------------	---------------------	---------------------	---------------------



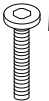
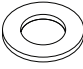



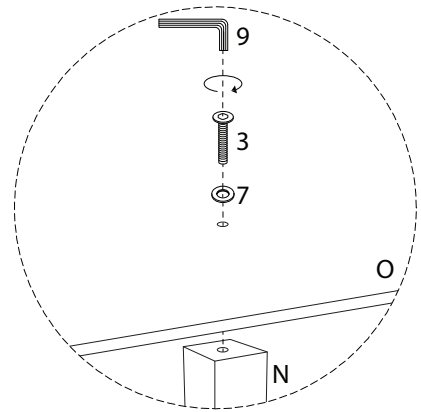
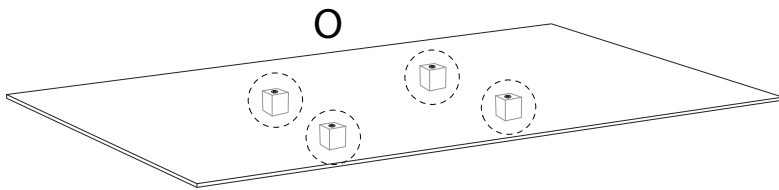
2

C1 x 1	C2 x 1	3 x 8	7 x 8	8 x 8	9 x 1
----------------------	----------------------	---------------------	---------------------	---------------------	---------------------

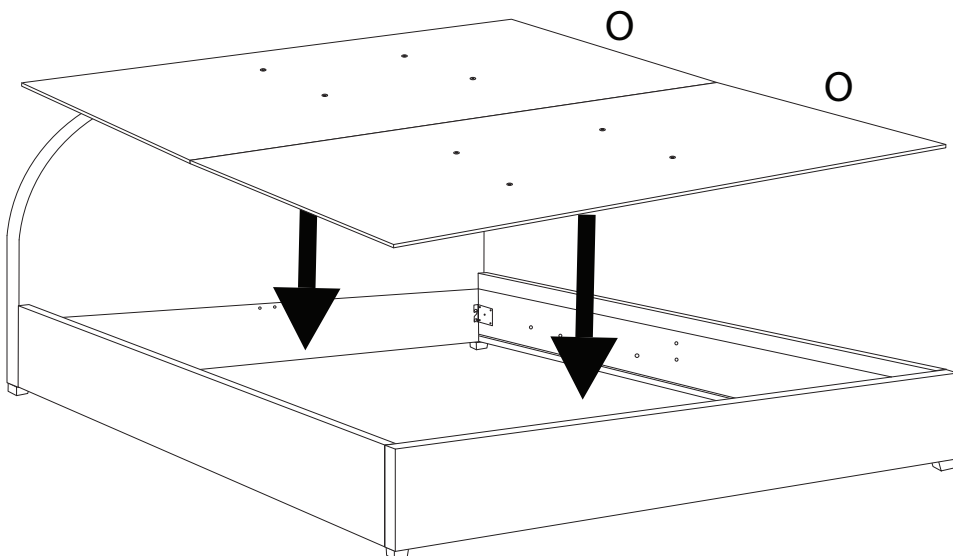


3 x 2

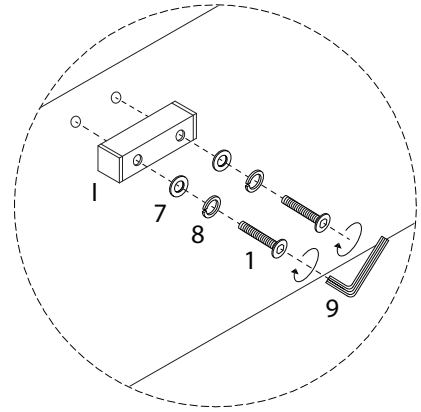
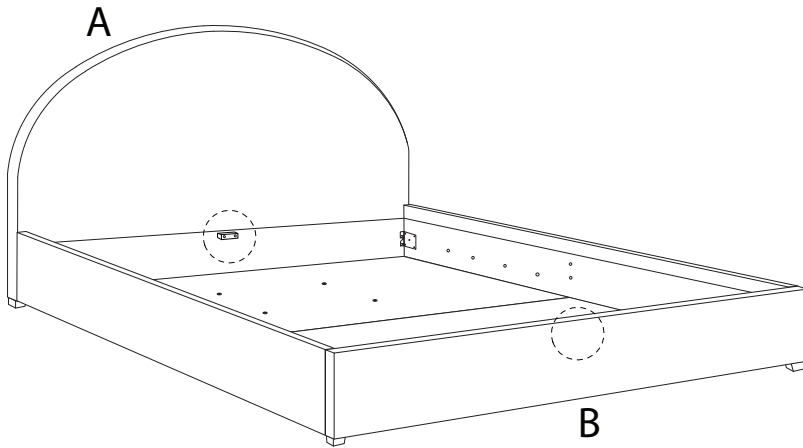
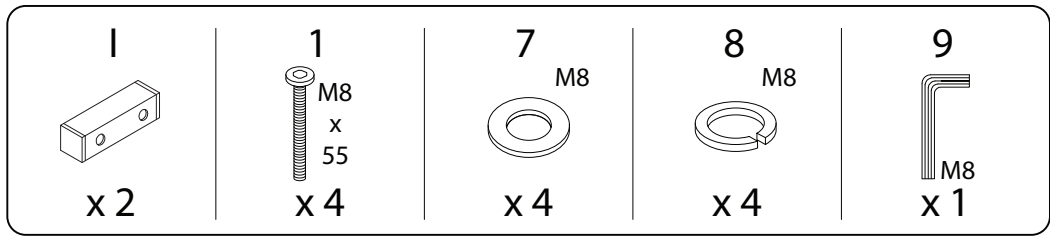
N  x 4	O  x 1	3  M8 x 30 x 4	7  M8 x 4	9  M8 x 1
---	---	--	---	---



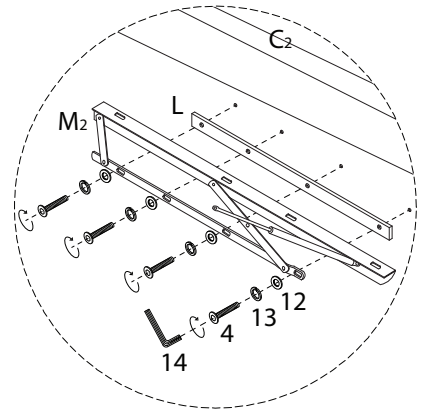
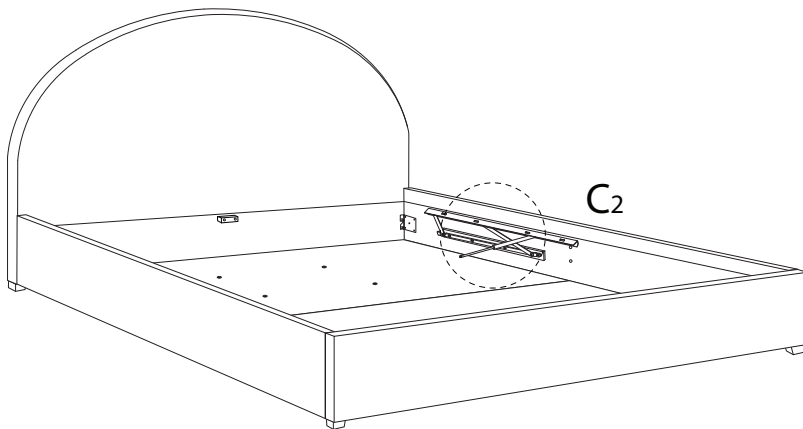
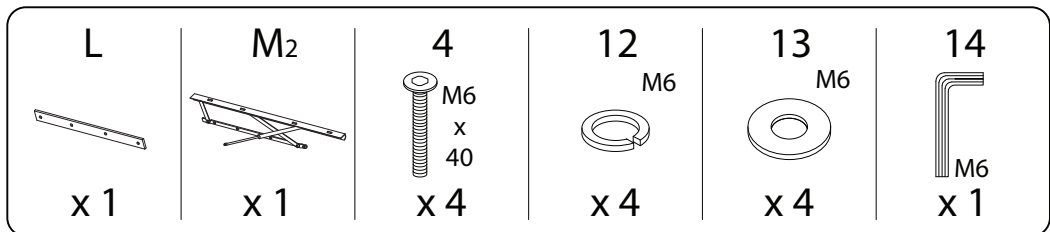
4



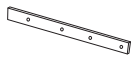

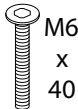
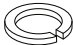

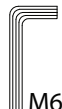
5

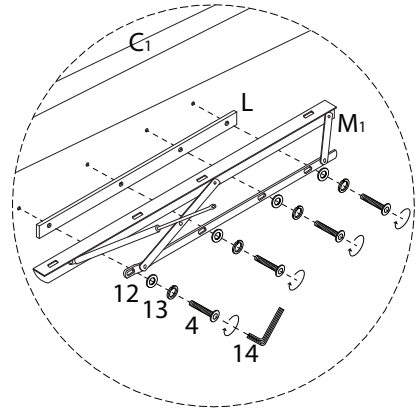
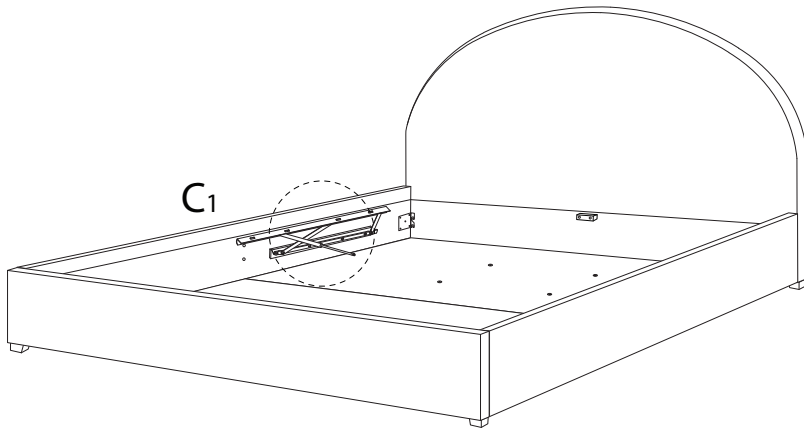


6

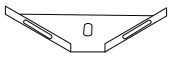

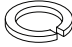

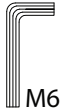


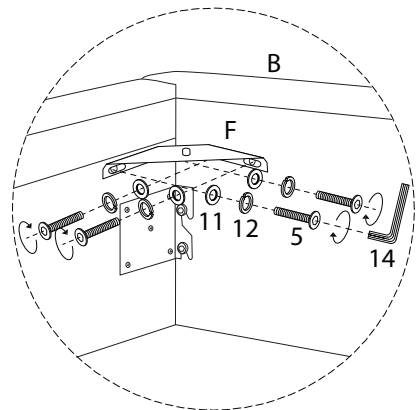
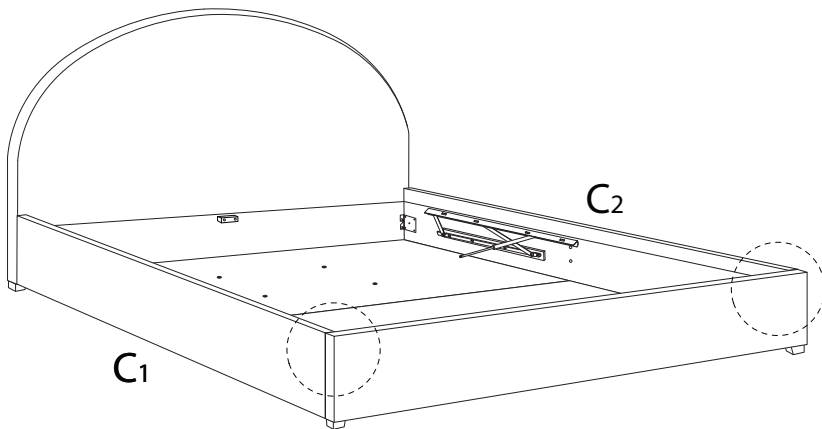
7

L	M ₁	4	12	13	14
					
x 1	x 1	x 4	x 4	x 4	x 1

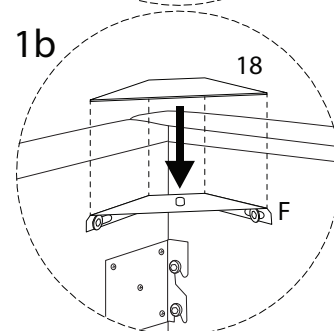
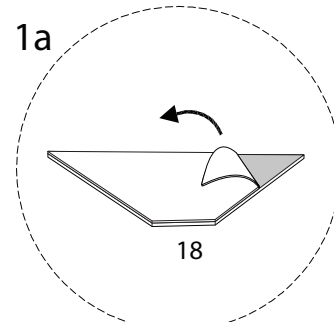
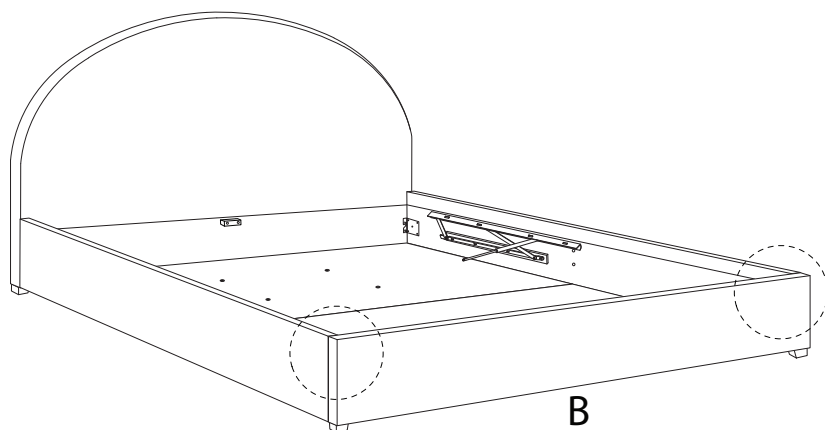
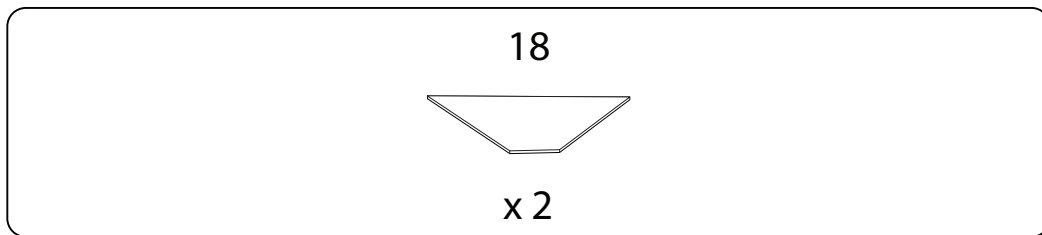


8

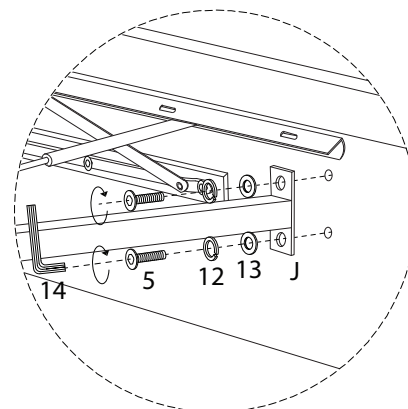
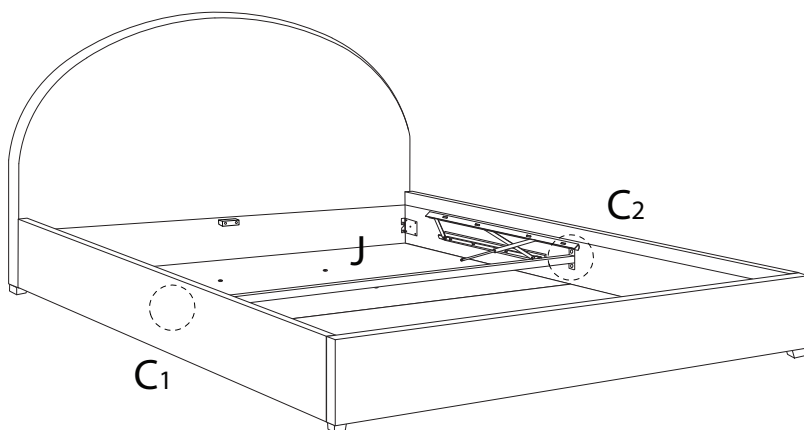
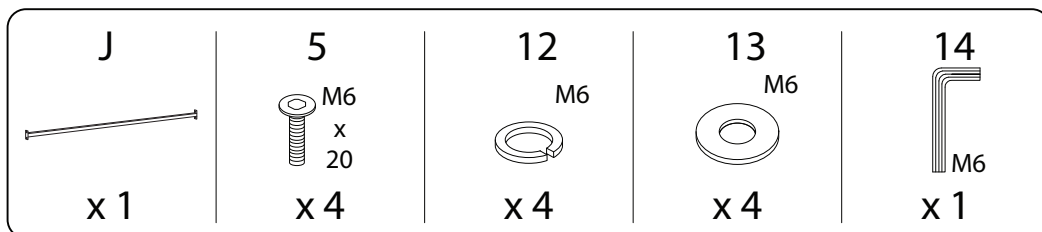
F	5	12	13	14
				
x 2	x 8	x 8	x 8	x 1



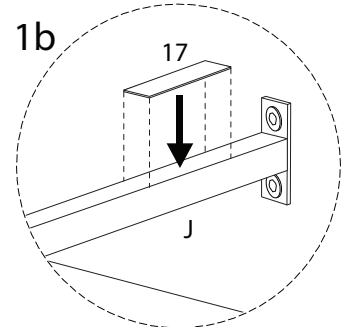
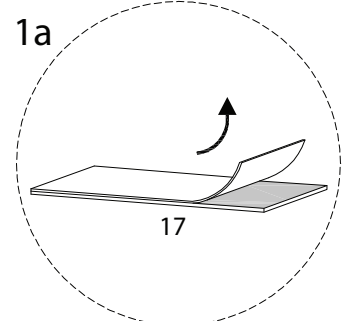
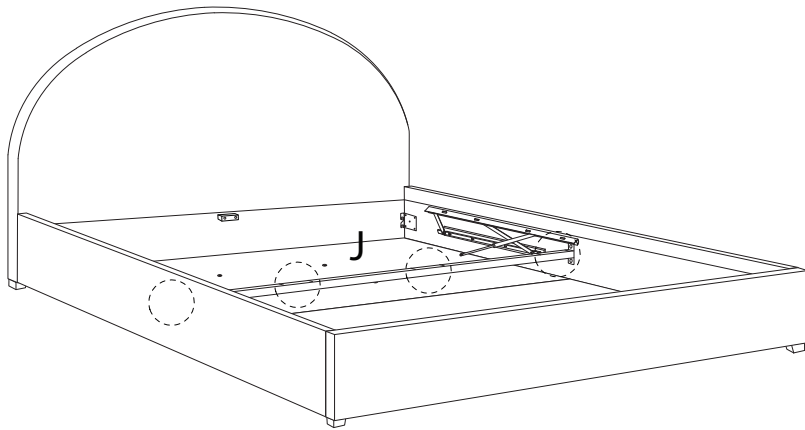
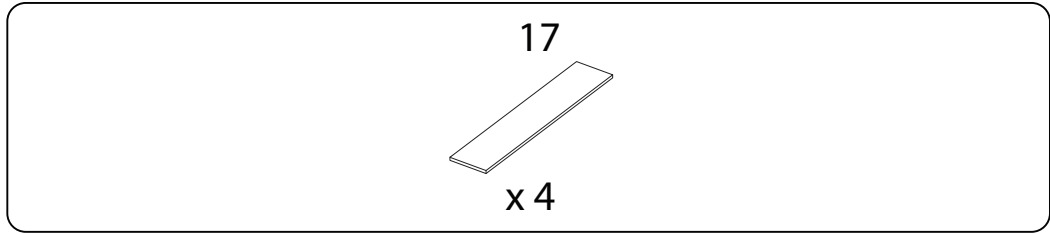
9



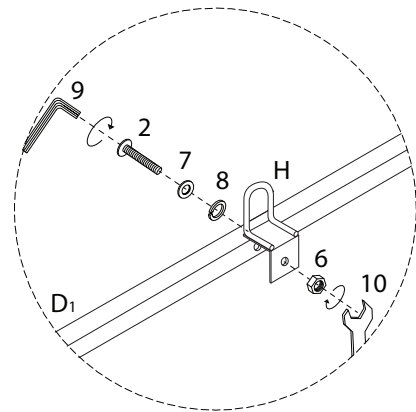
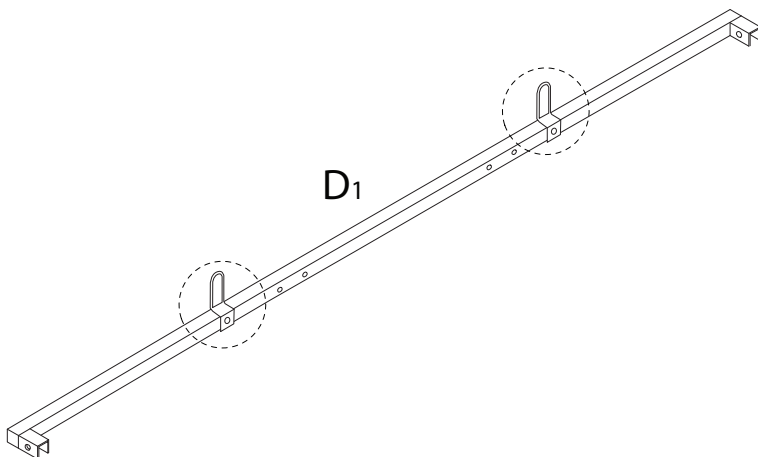
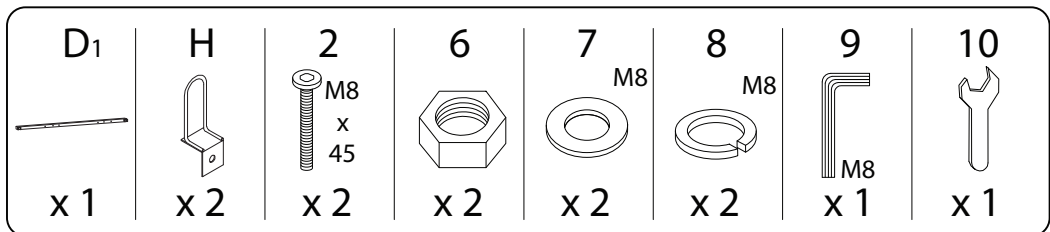
10



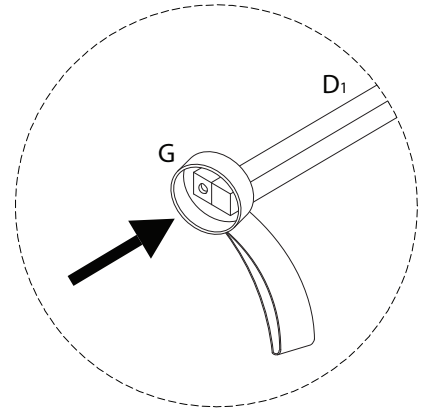
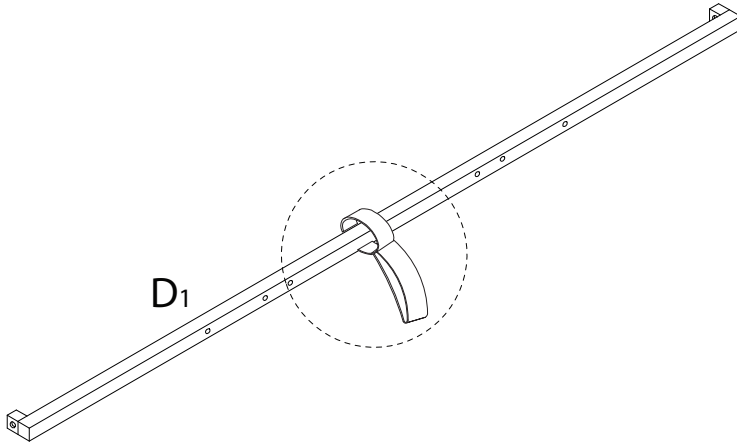
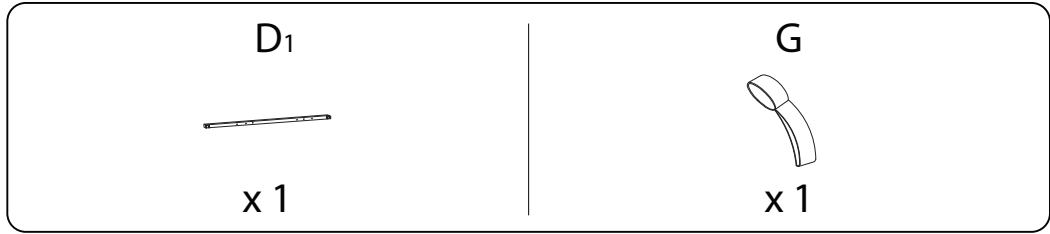
11



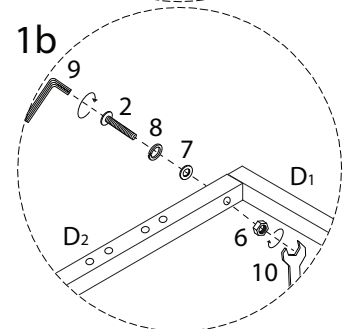
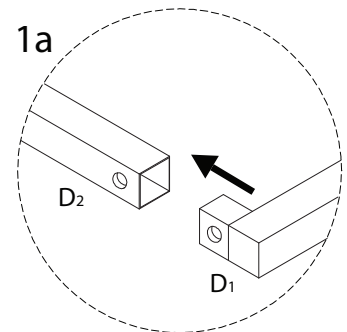
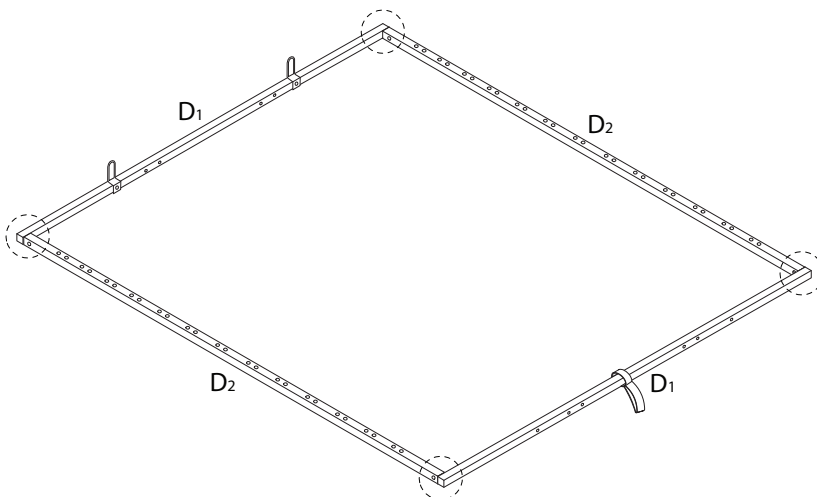
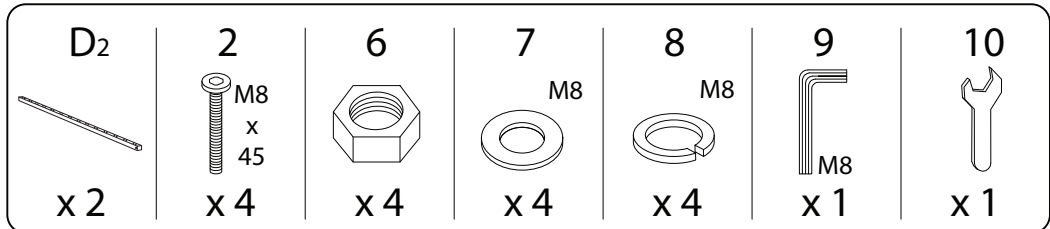
12




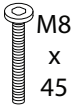
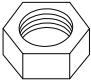




13

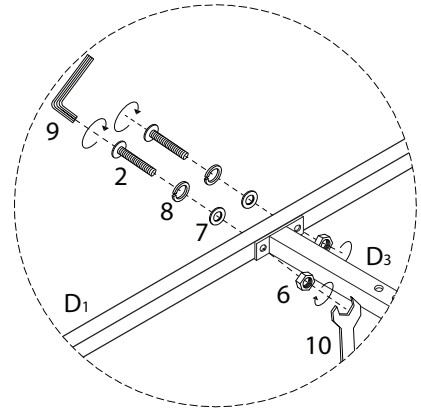
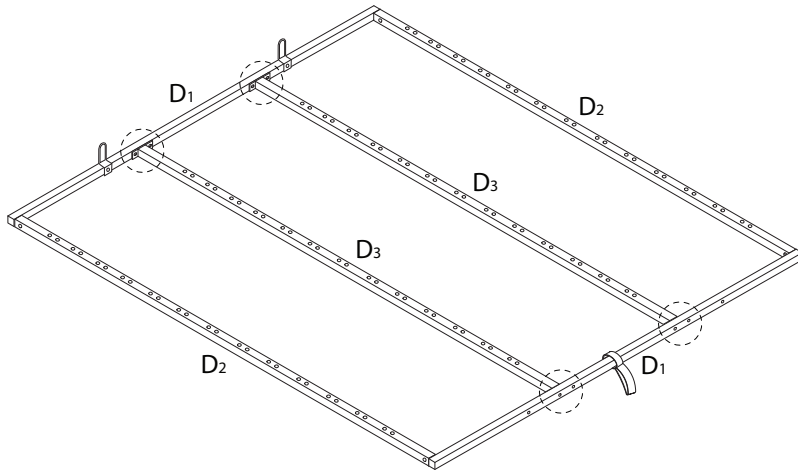


14

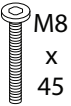
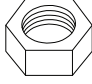


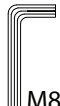



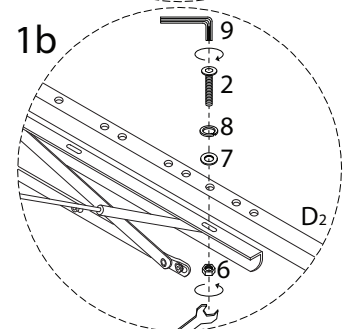
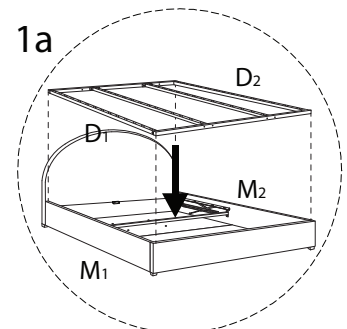
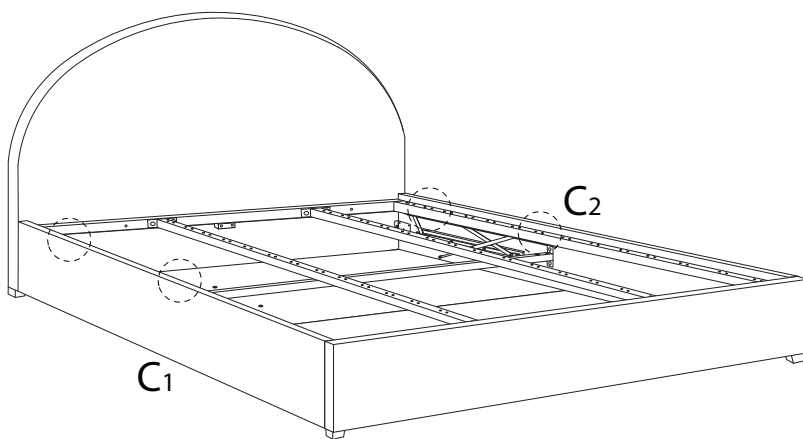
15

D3	2	6	7	8	9	10
						
x 2	x 8	x 8	x 8	x 8	x 1	x 1

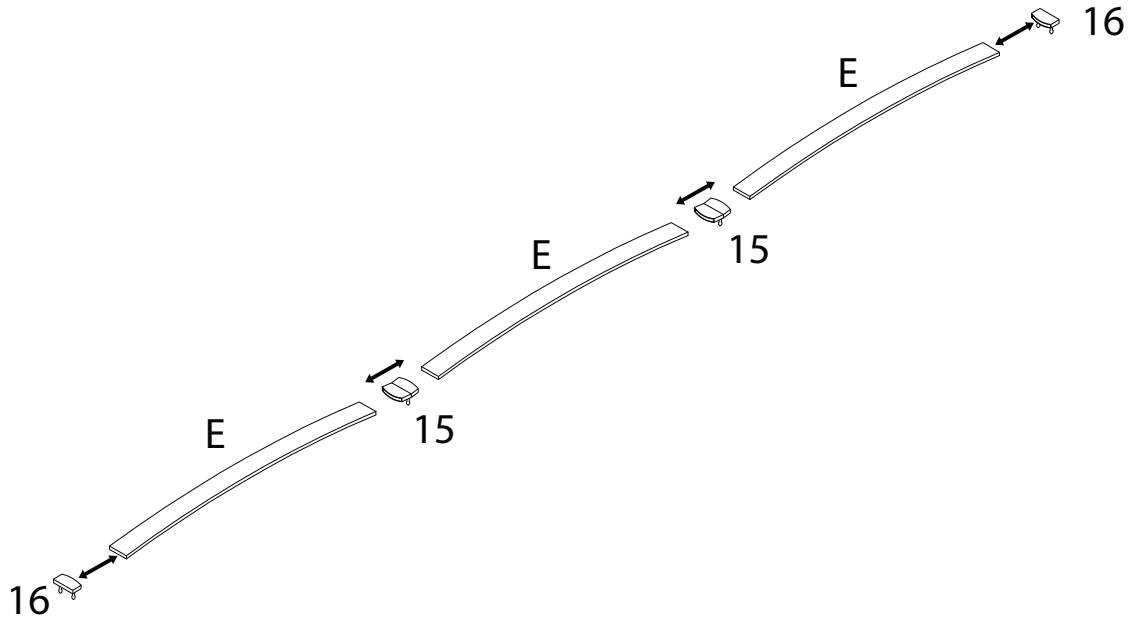
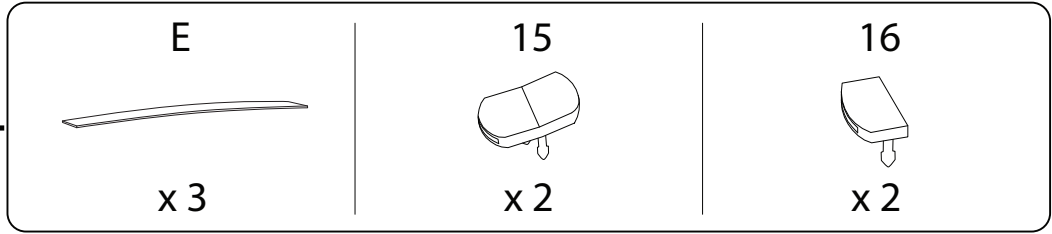


16

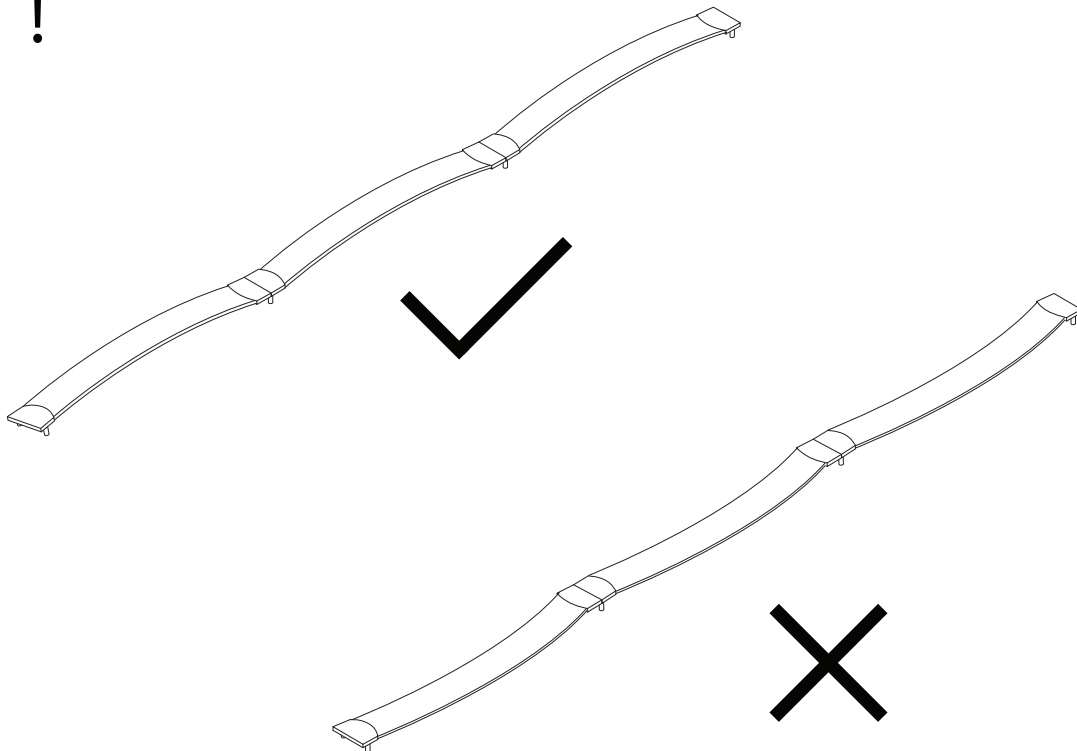
2	6	7	8	9	10
					
x 4	x 4	x 4	x 4	x 1	x 1



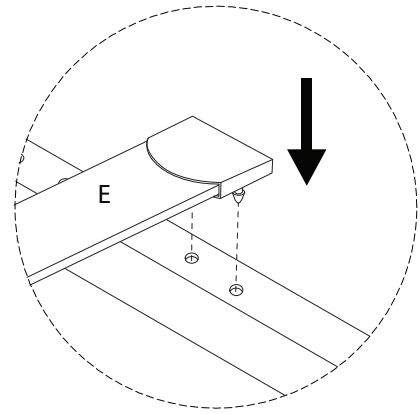
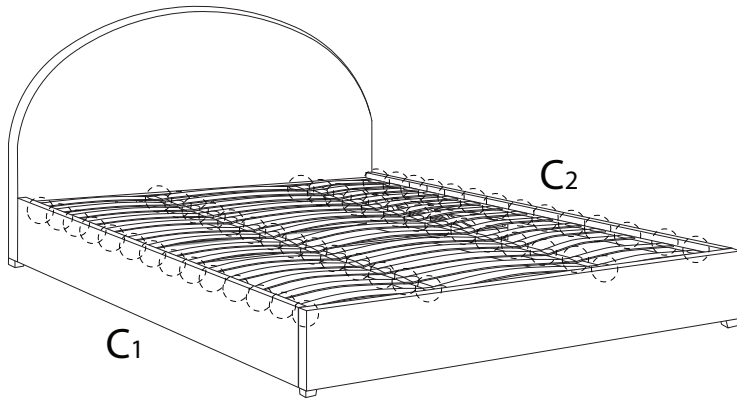
17 x 14



!



18



19

