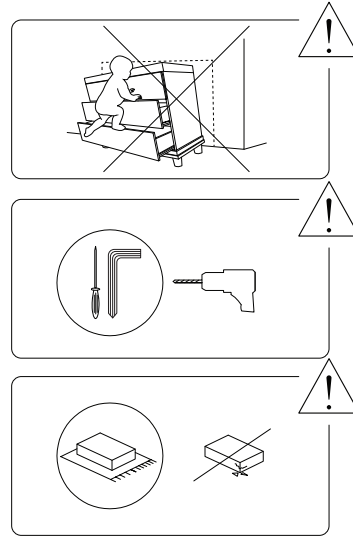
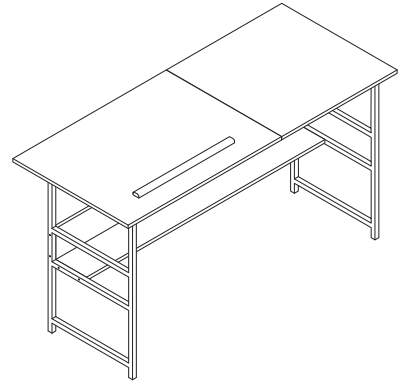
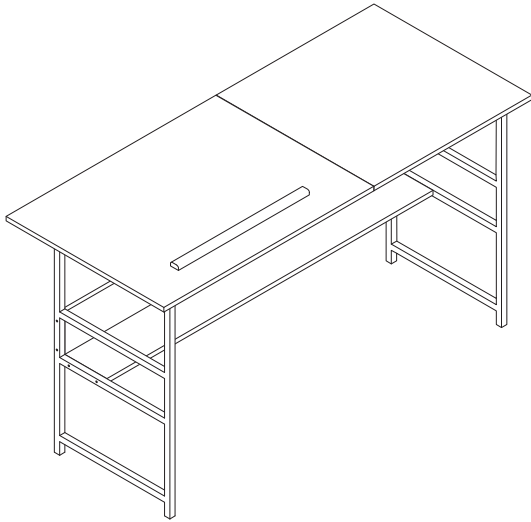


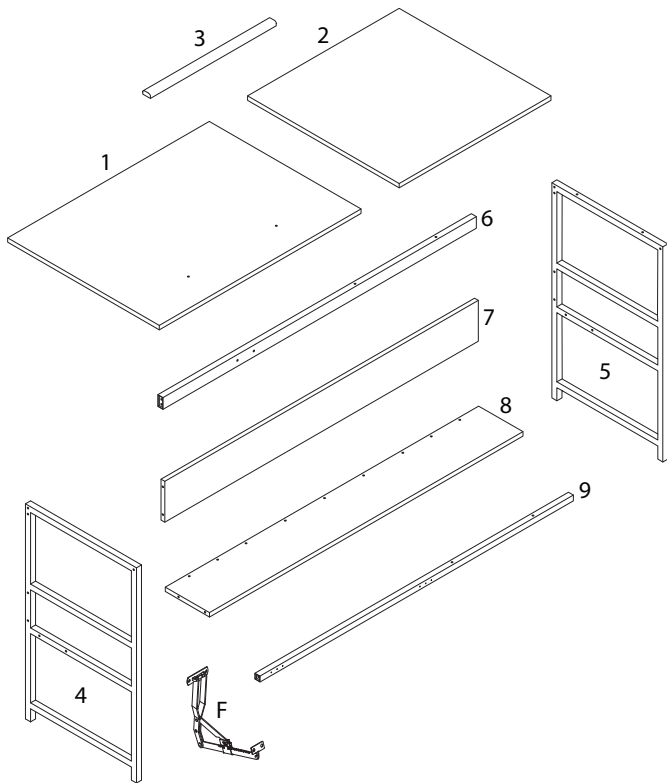
ORAN



1/10

2/10

2696/ORAN/0805/26



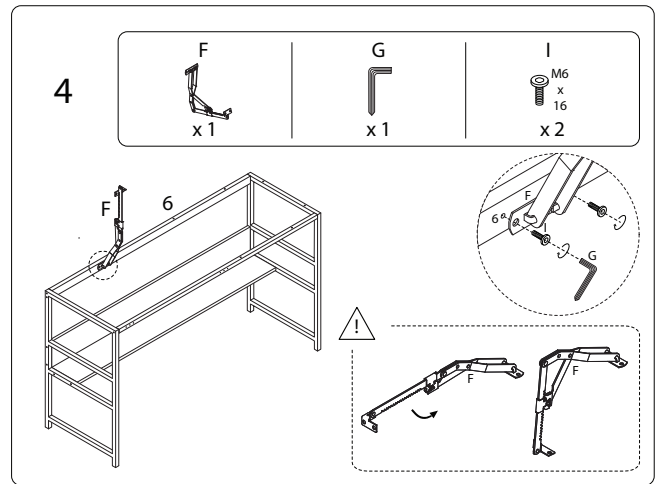
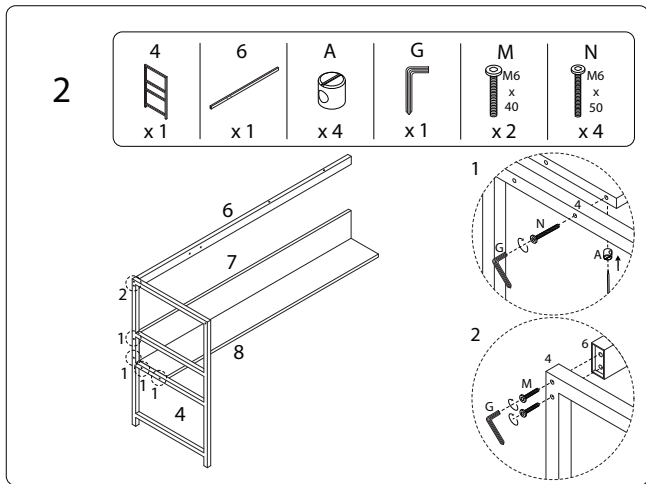
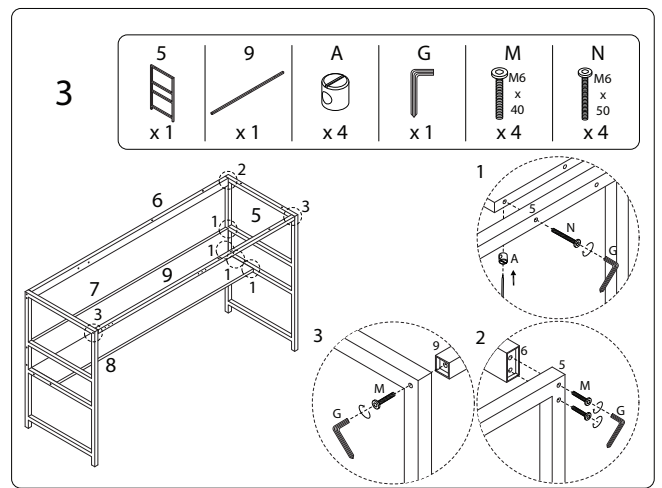
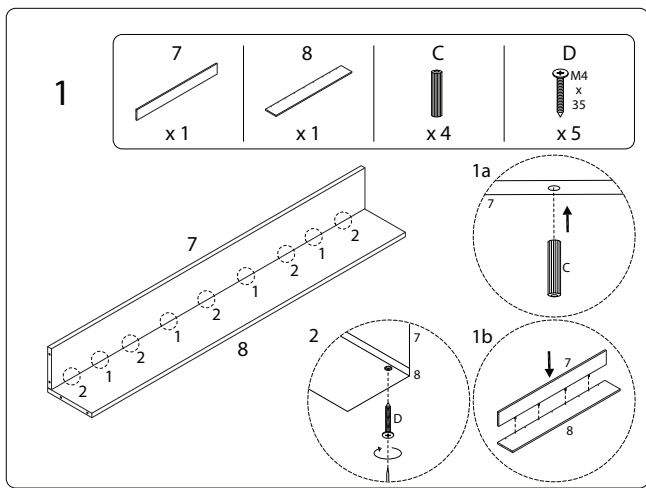
1	2	3	4	5
x1	x1	x1	x1	x1

3/10

6	7	8	9	
x1	x1	x1	x1	
A	B	C	D	
x8	x2	x4	x6	
E	F	G	H	
x12	x1	x1	x2	
I	J1	J2	J3	
x2	x1	x1	x1	
K	L	M	N	O
x2	x4	x6	x10	x2

4/10

2696/ORAN/0805/26

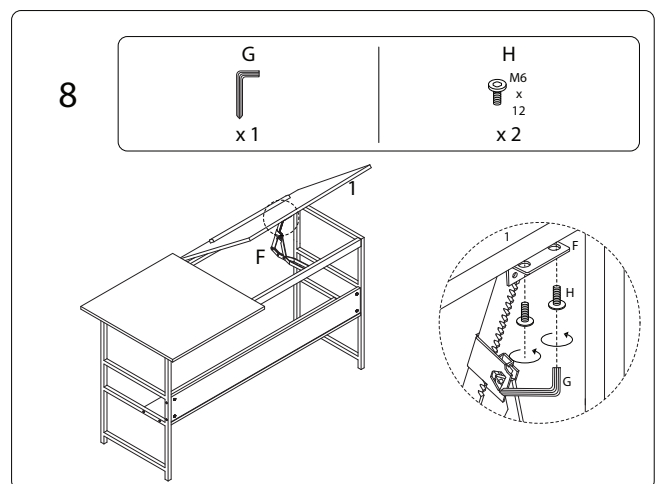
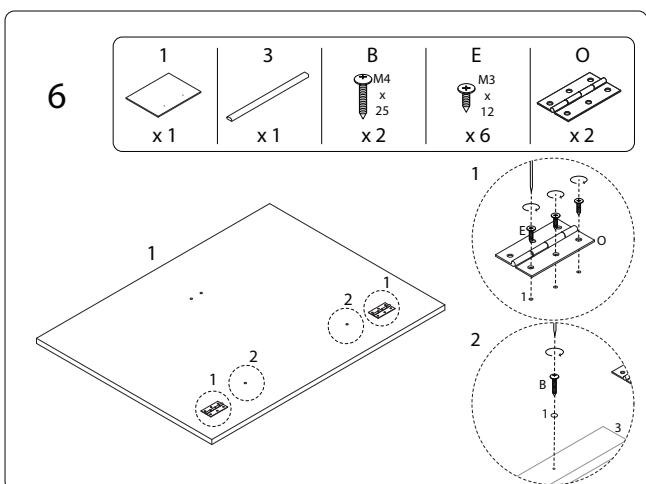
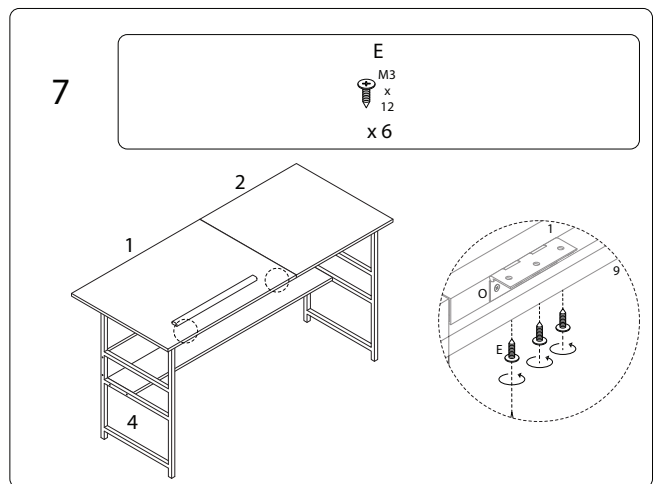
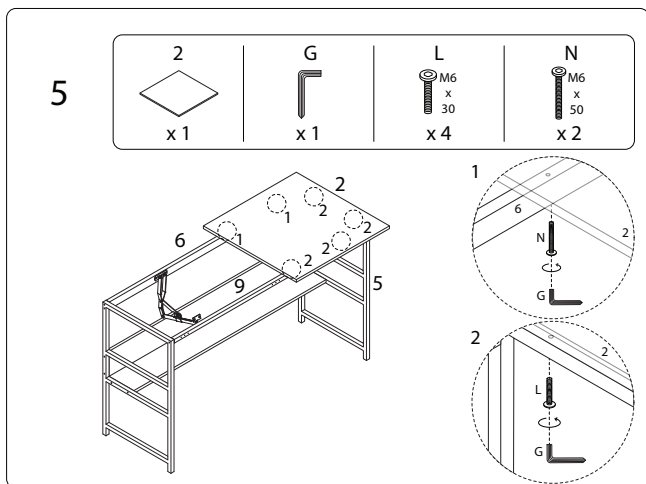


5/10

6/10

2696/CRAN/0805/26/

2696/CRAN/0805/26/

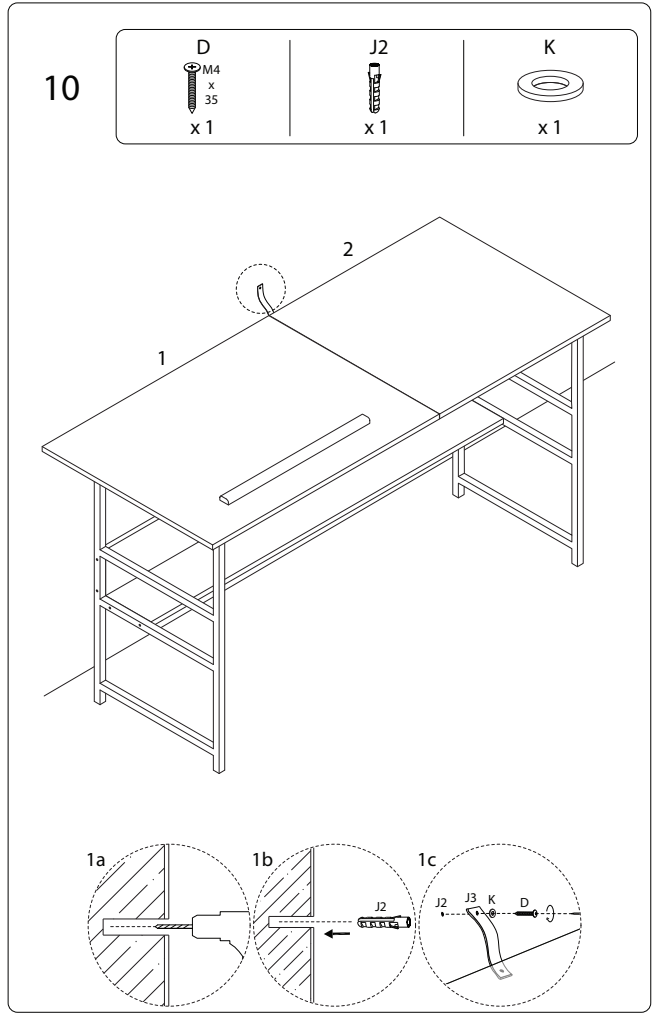
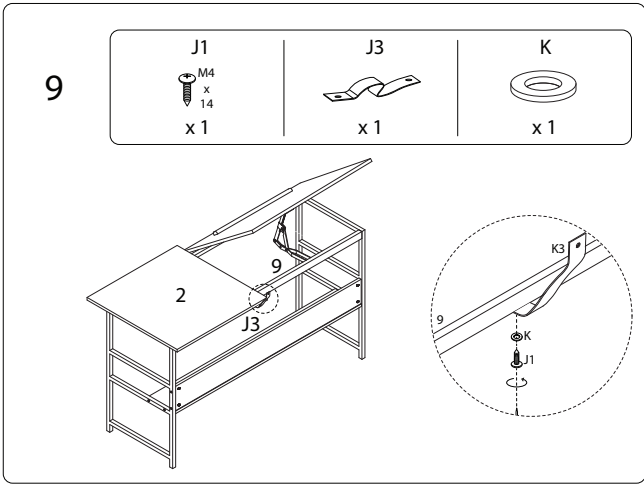


7/10

8/10

2696/CRAN/0805/26/

2696/CRAN/0805/26/



9/10

2696/CRAN/080526/

10/10

2696/CRAN/080526/