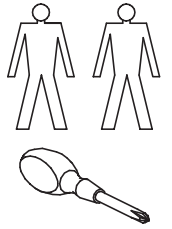
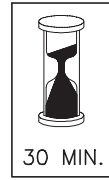
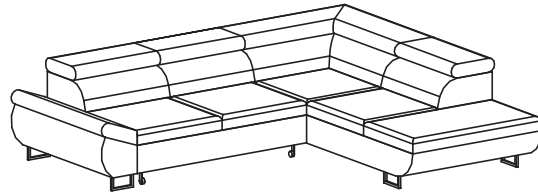


Fabio Fabiola



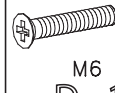
A - 1 St.



B - 1 St.



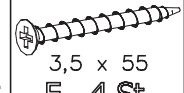
H = 87mm
C - 6 St.



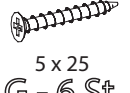
M6 x 30
D - 12 St.



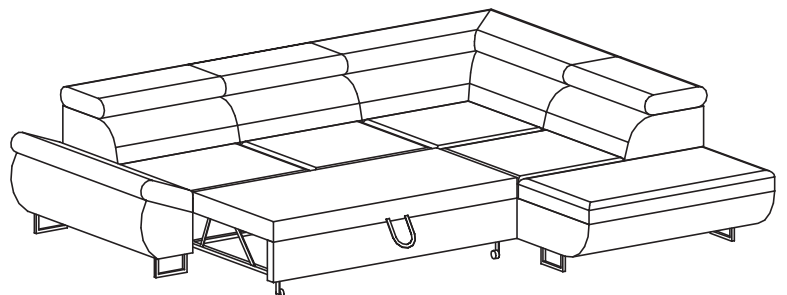
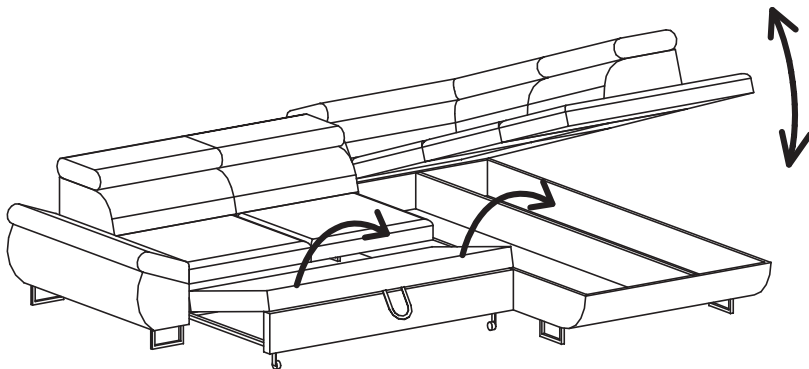
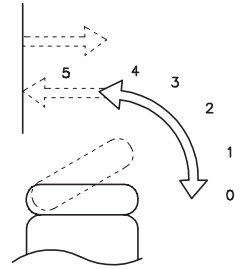
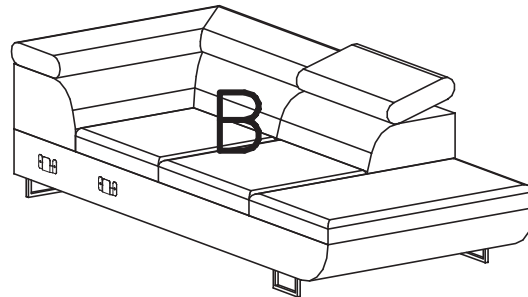
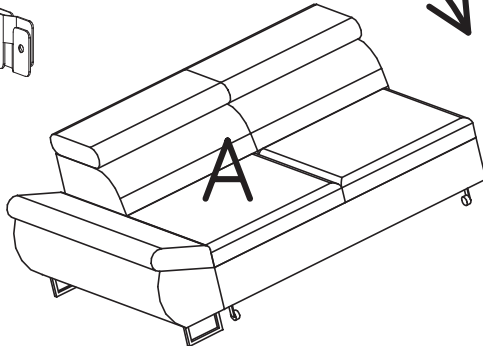
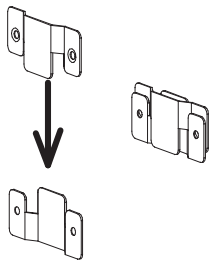
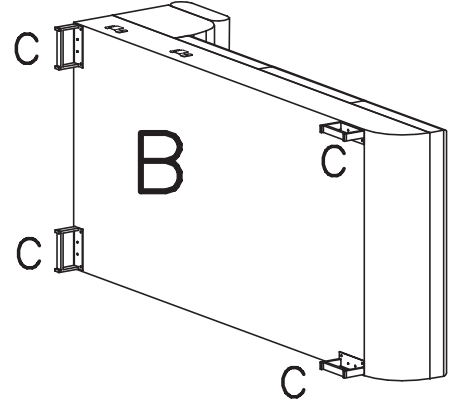
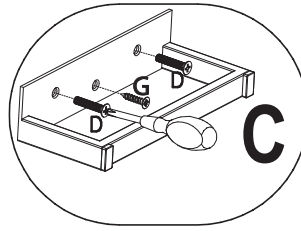
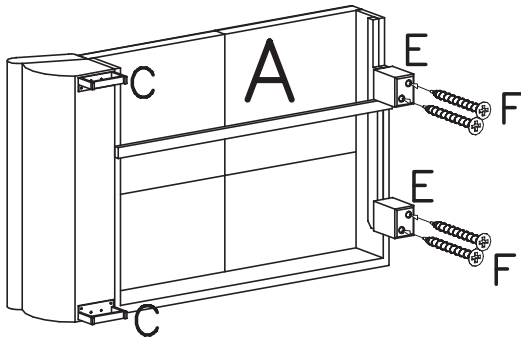
H = 50mm
E - 2 St.



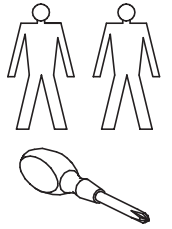
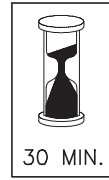
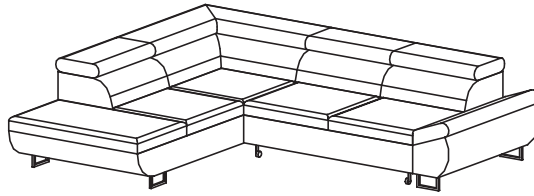
3,5 x 55
F - 4 St.



5 x 25
G - 6 St.



Fabio Fabiola



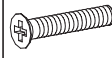
A - 1 St.



B - 1 St.



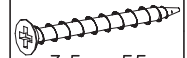
H=87mm
C - 6 St.



M6 x 30
D - 12St.



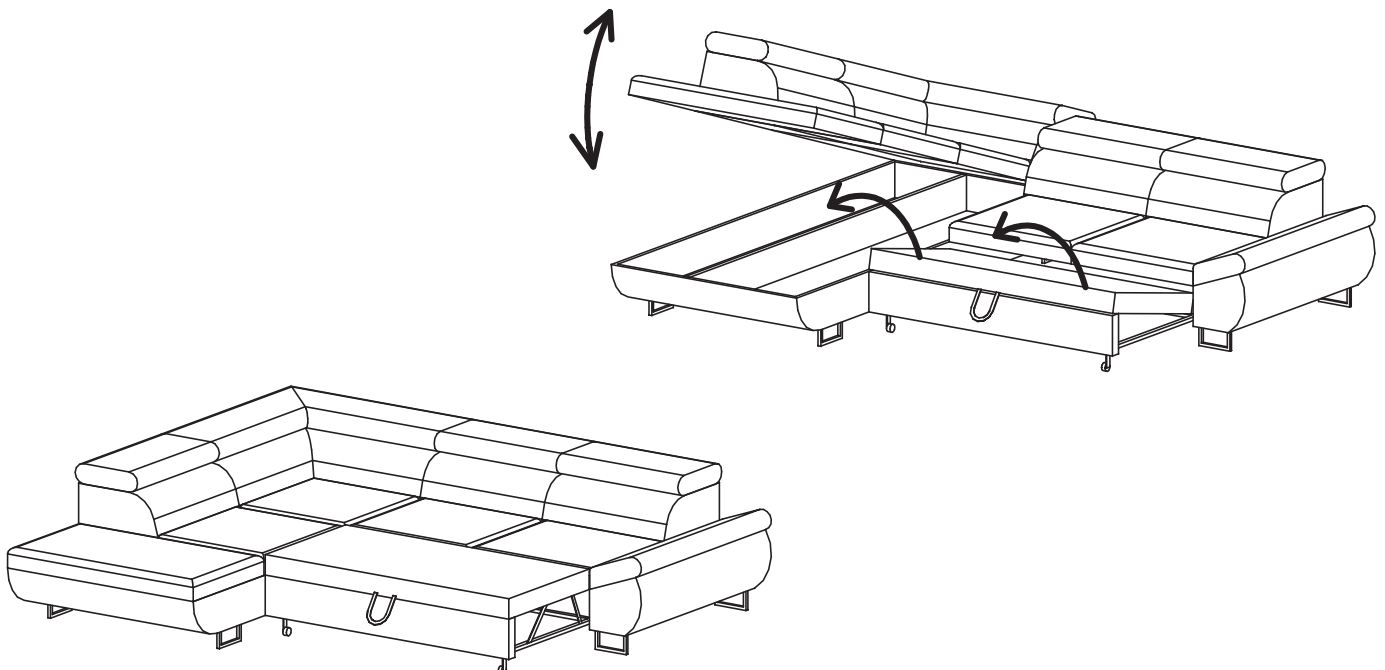
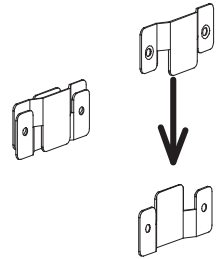
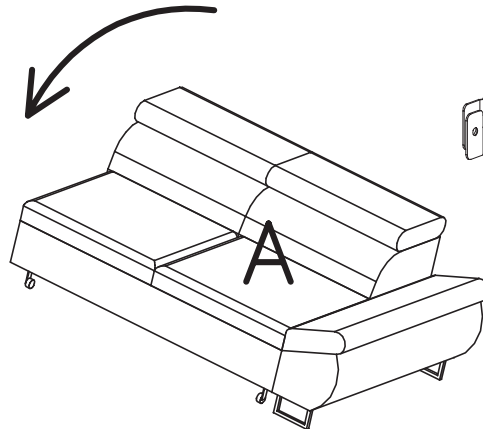
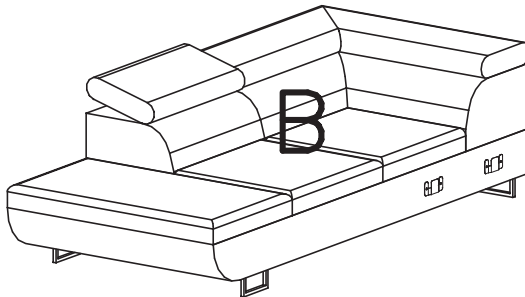
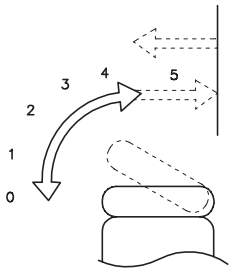
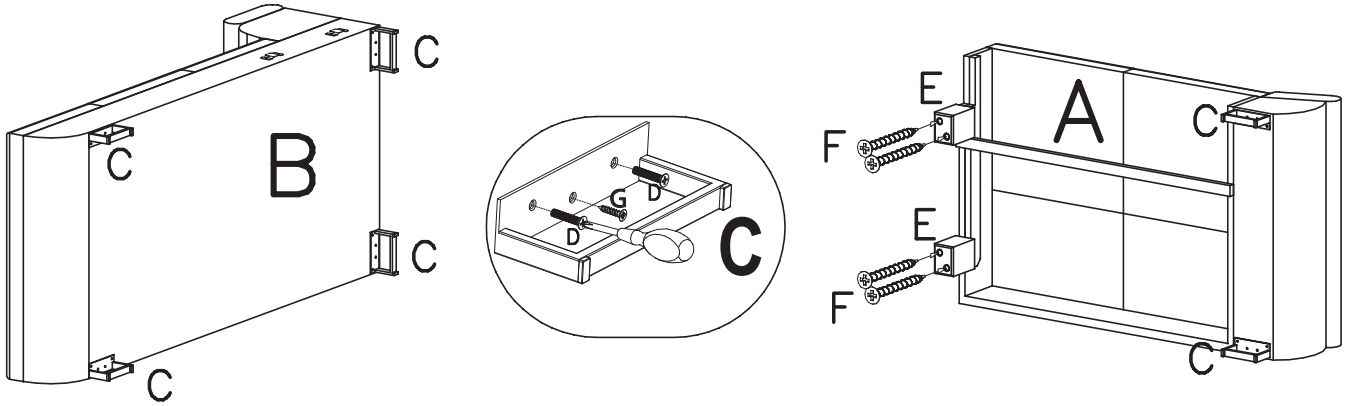
H=50mm
E - 2 St.



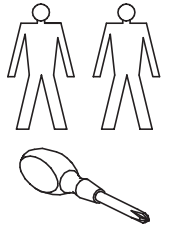
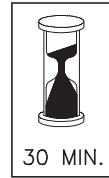
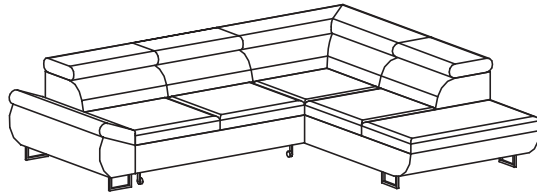
3,5 x 55
F - 4 St.



5 x 25
G - 6 St.



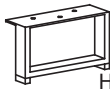
Fabio Fabiola



A - 1 St.



B - 1 St.



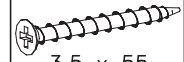
H = 87mm
C - 6 St.



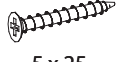
M6 x 30
D - 12 St.



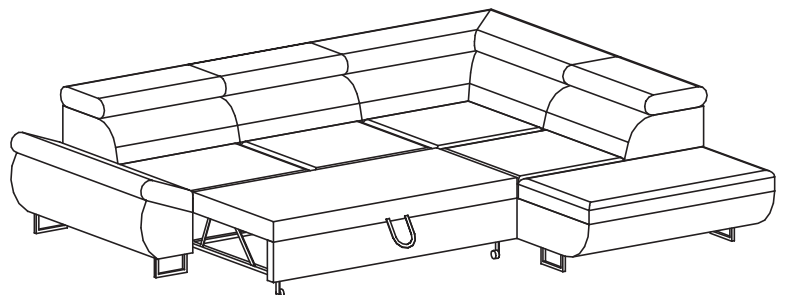
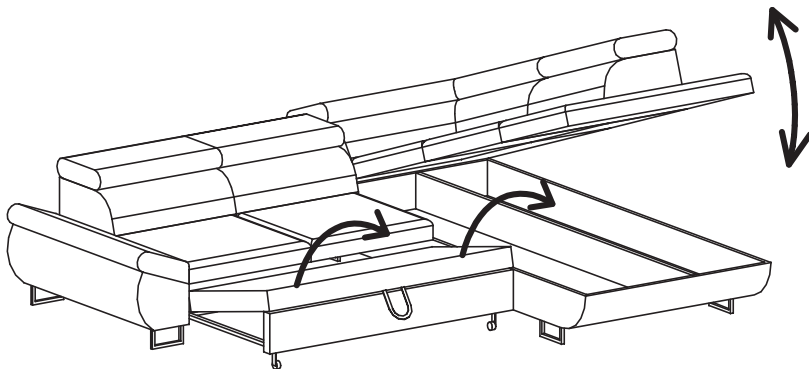
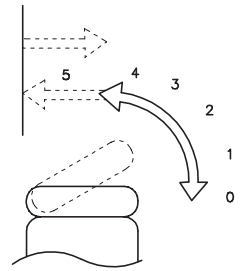
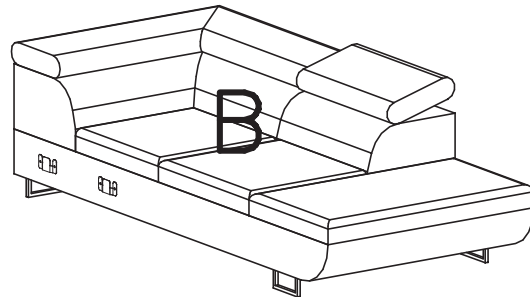
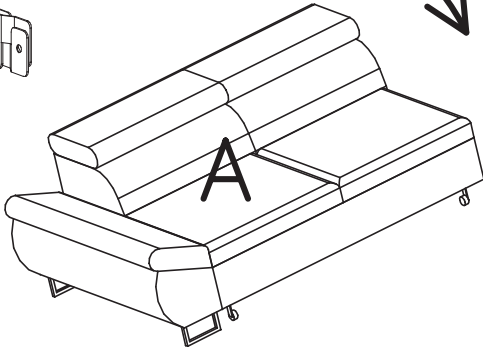
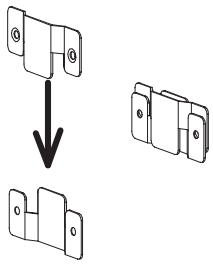
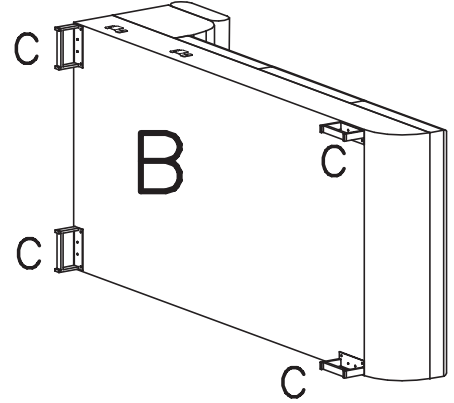
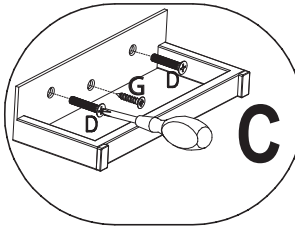
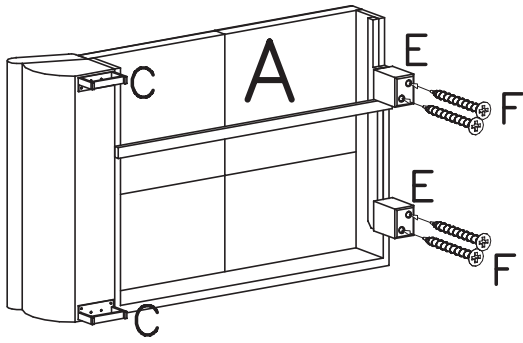
H = 50mm
E - 2 St.



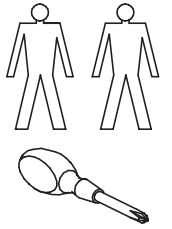
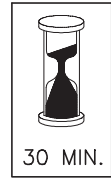
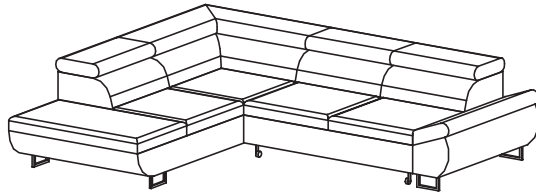
3,5 x 55
F - 4 St.



5 x 25
G - 6 St.



Fabio Fabiola



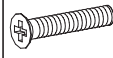
A - 1 St.



B - 1 St.



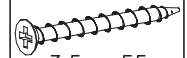
H = 87mm
C - 6 St.



M6 x 30
D - 12 St.



H = 50mm
E - 2 St.



3,5 x 55
F - 4 St.



5 x 25
G - 6 St.

