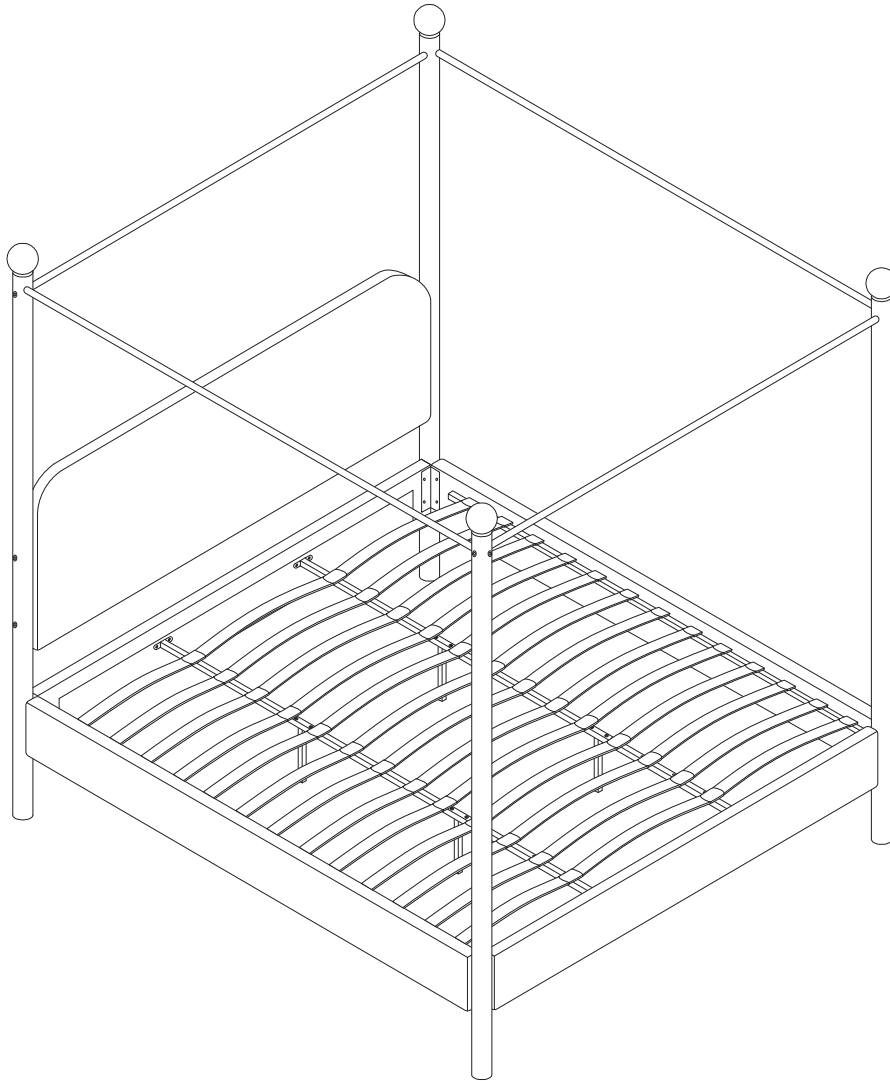
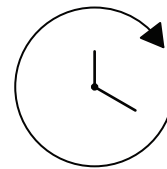
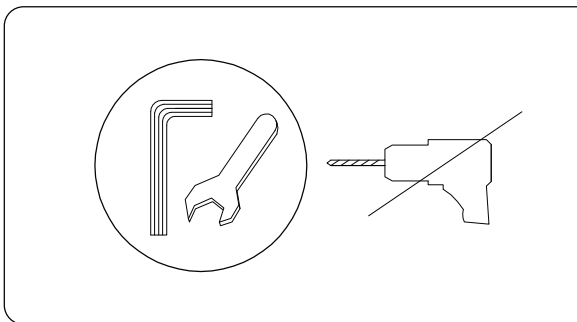
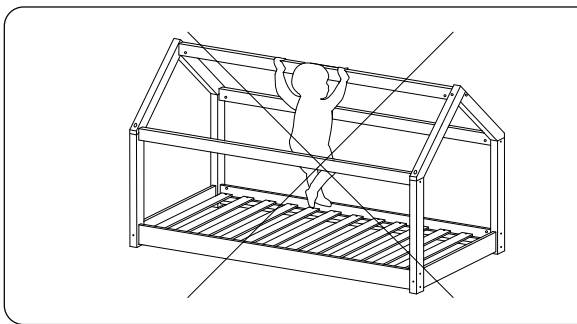
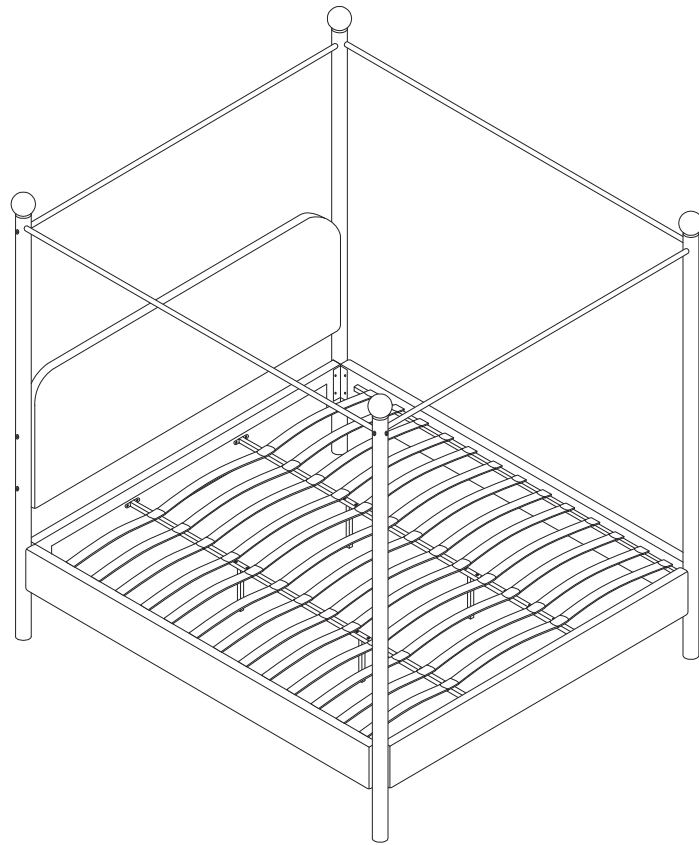
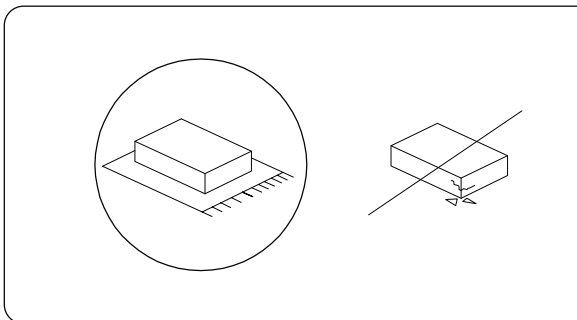


# DANNEMOIS

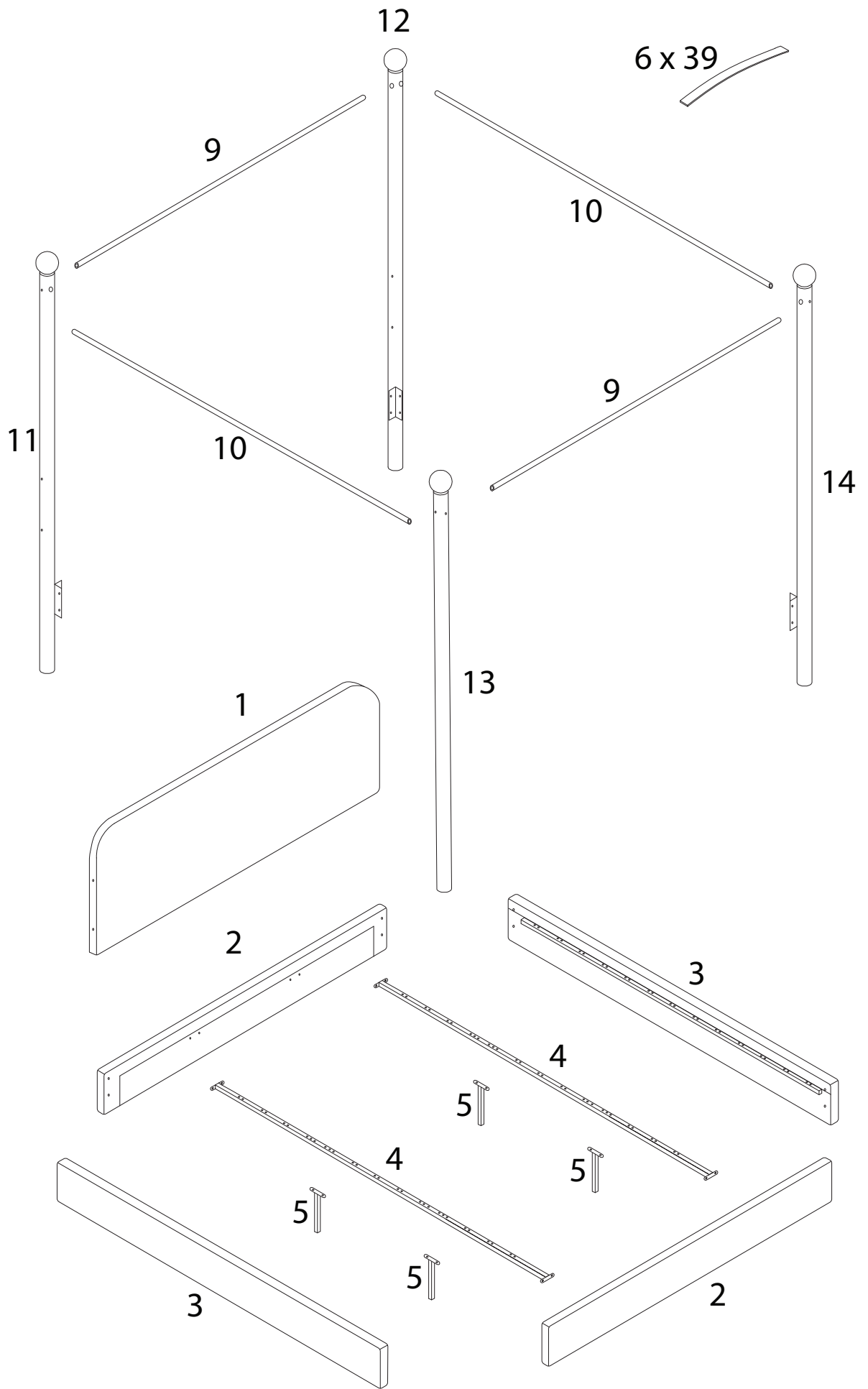




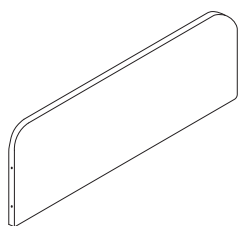
45'



2

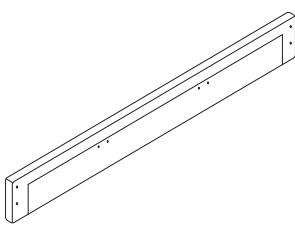


1



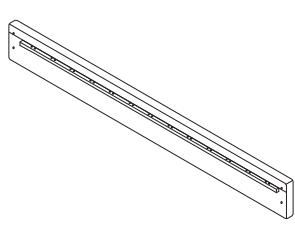
x 1

2



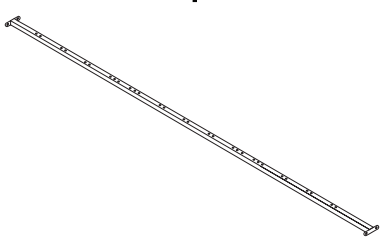
x 2

3



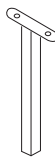
x 2

4



x 2

5



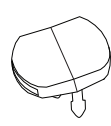
x 4

6



x 39

7



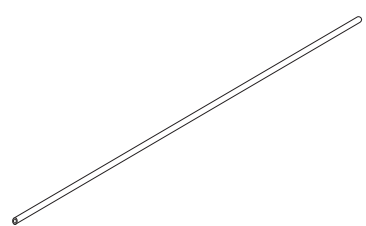
x 26

8



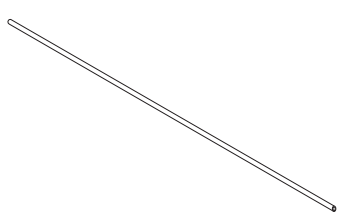
x 26

9



x 2

10



x 2

11



x 1

12



x 1

13



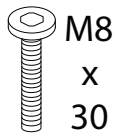
x 1

14



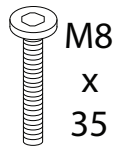
x 1

A



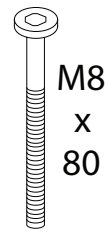
x 24

B



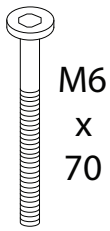
x 8

C



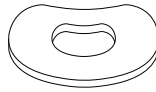
x 4

D



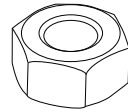
x 8

E



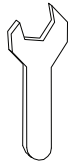
x 12

F



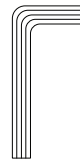
x 8

G



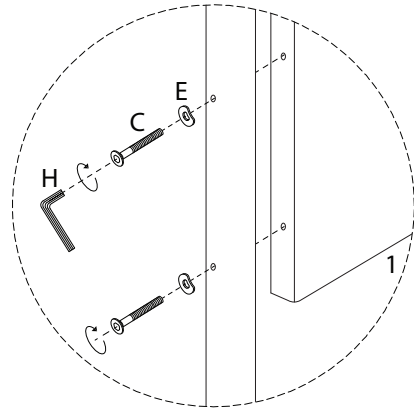
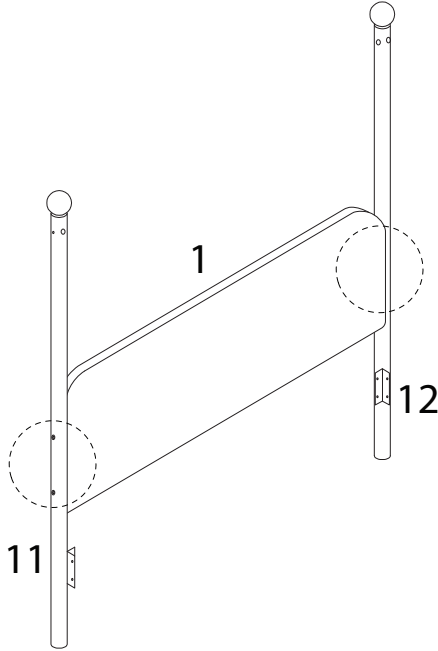
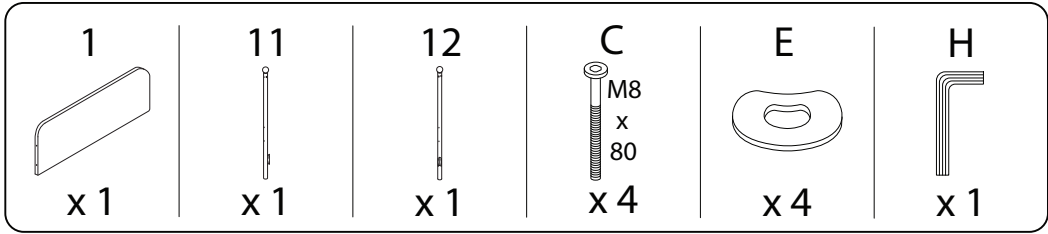
x 1

H

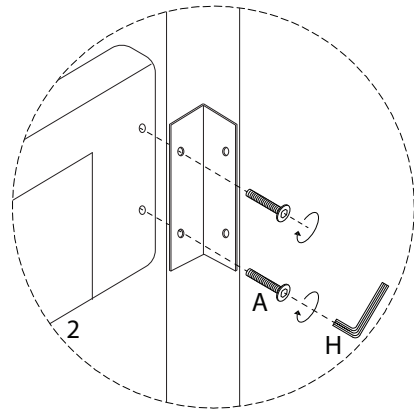
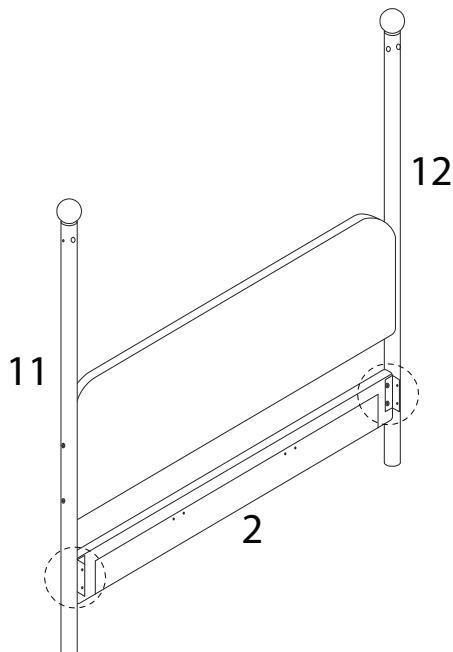
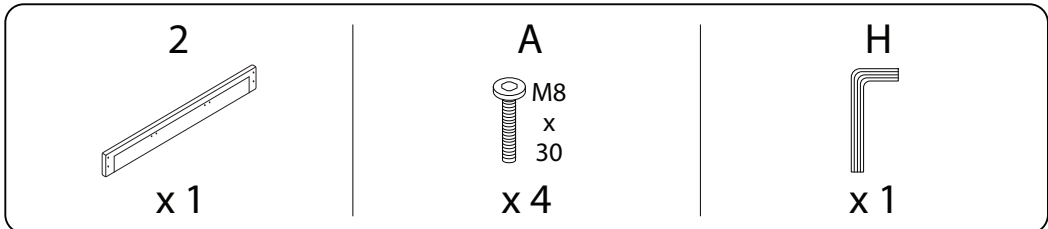


x 1

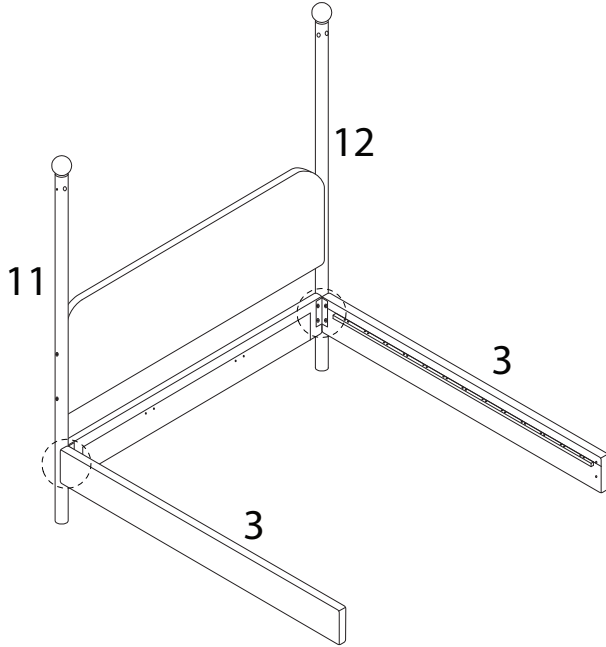
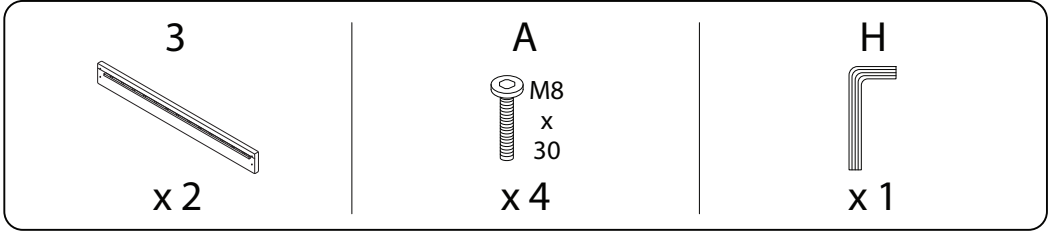
1



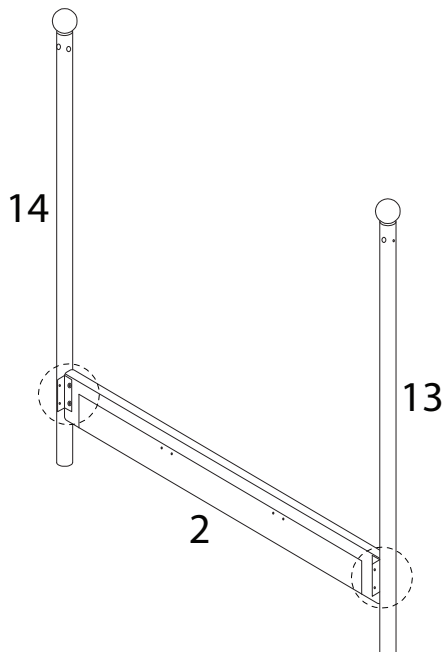
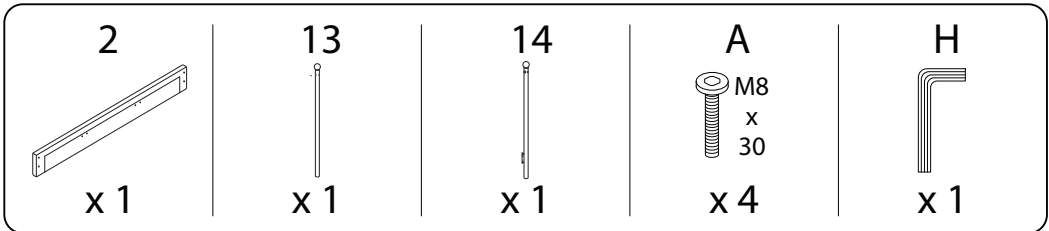
2



3

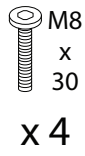


4

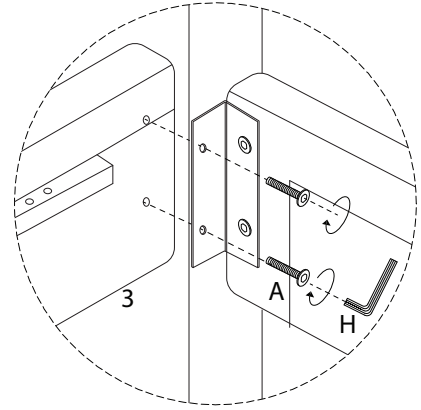
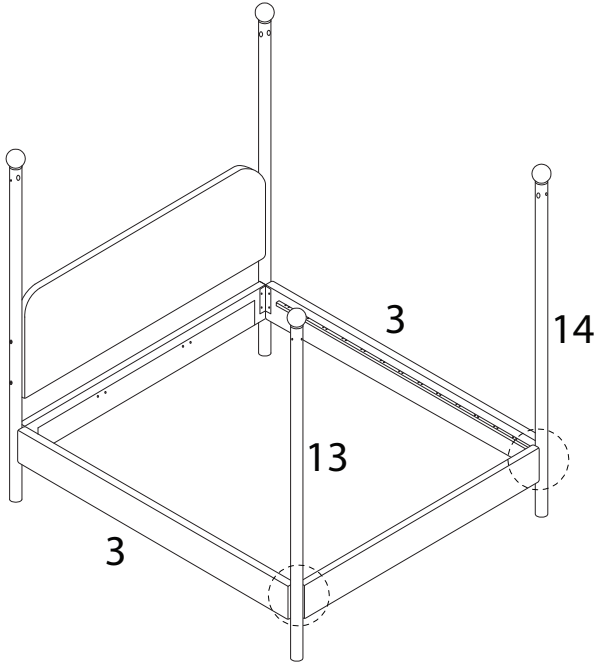
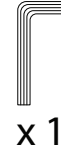


5

A

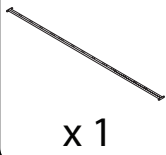


H

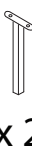


6 x 2

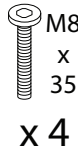
4



5



B



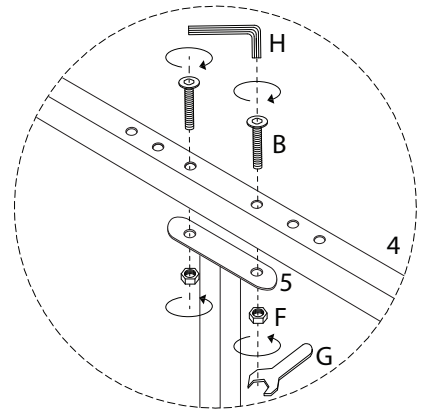
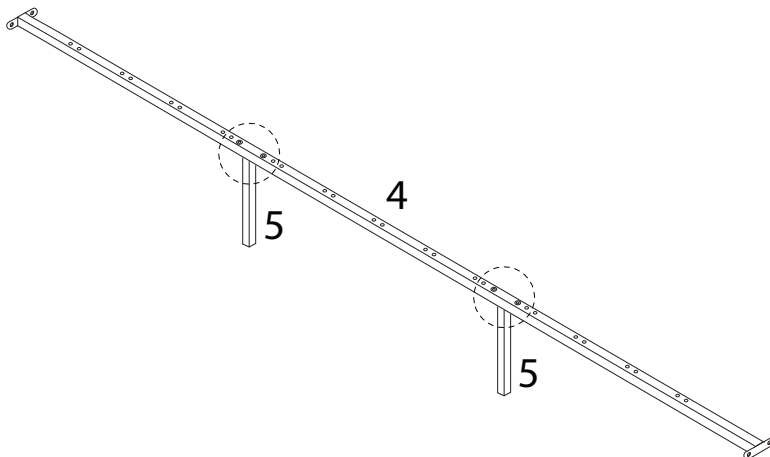
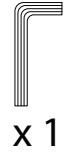
F



G



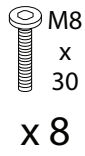
H



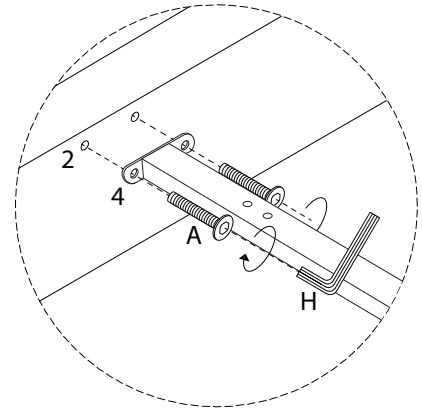
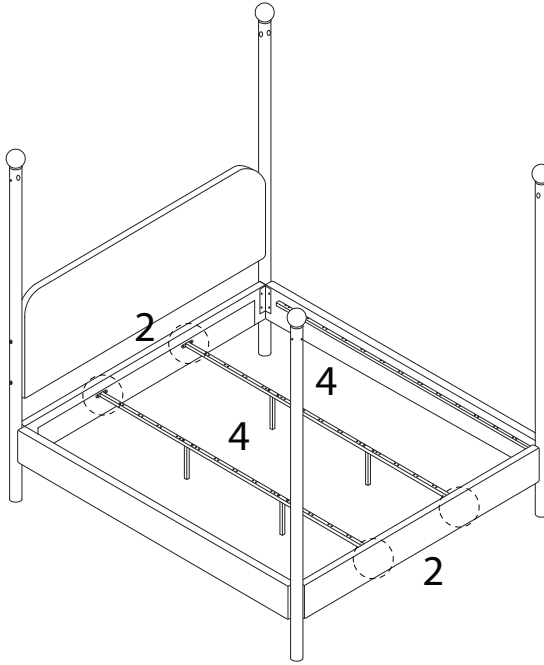
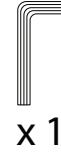


7

A

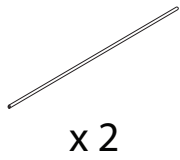


H

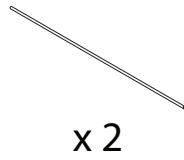


8

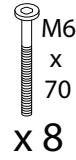
9



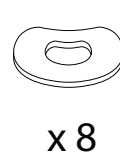
10



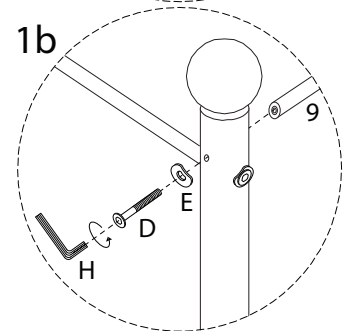
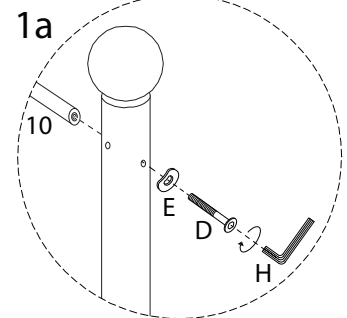
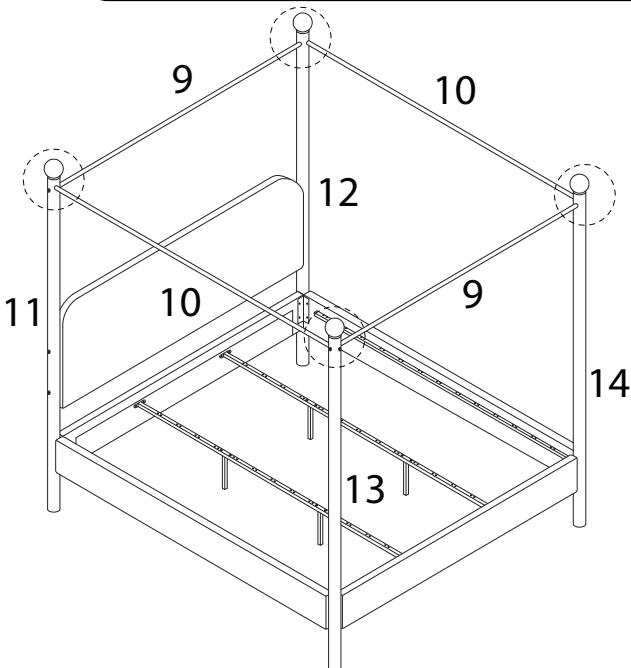
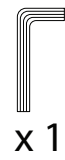
D






E

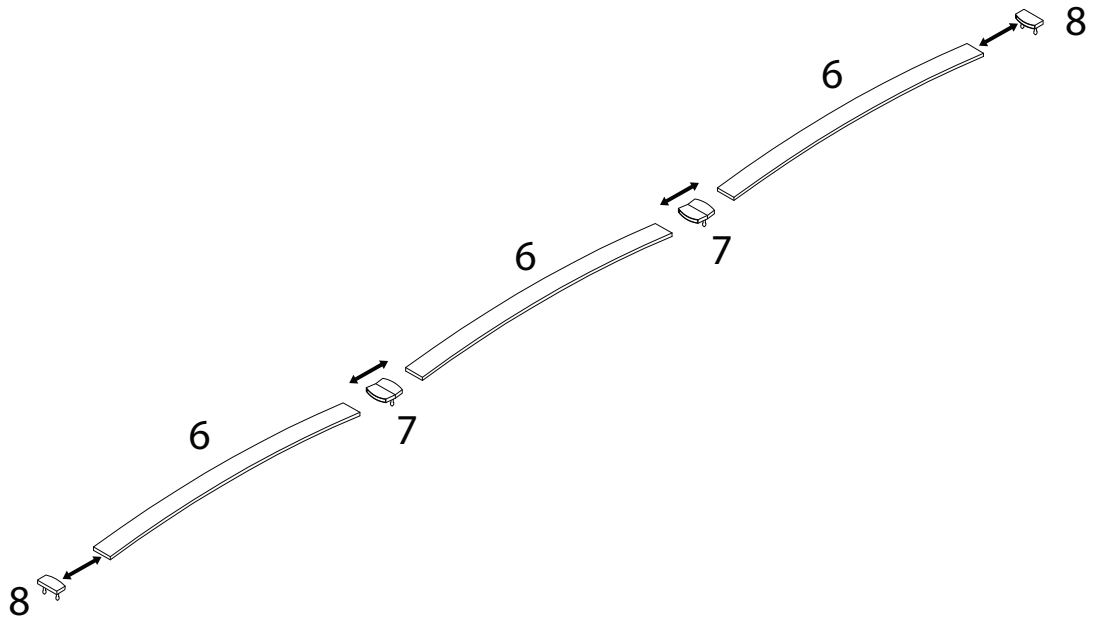


H

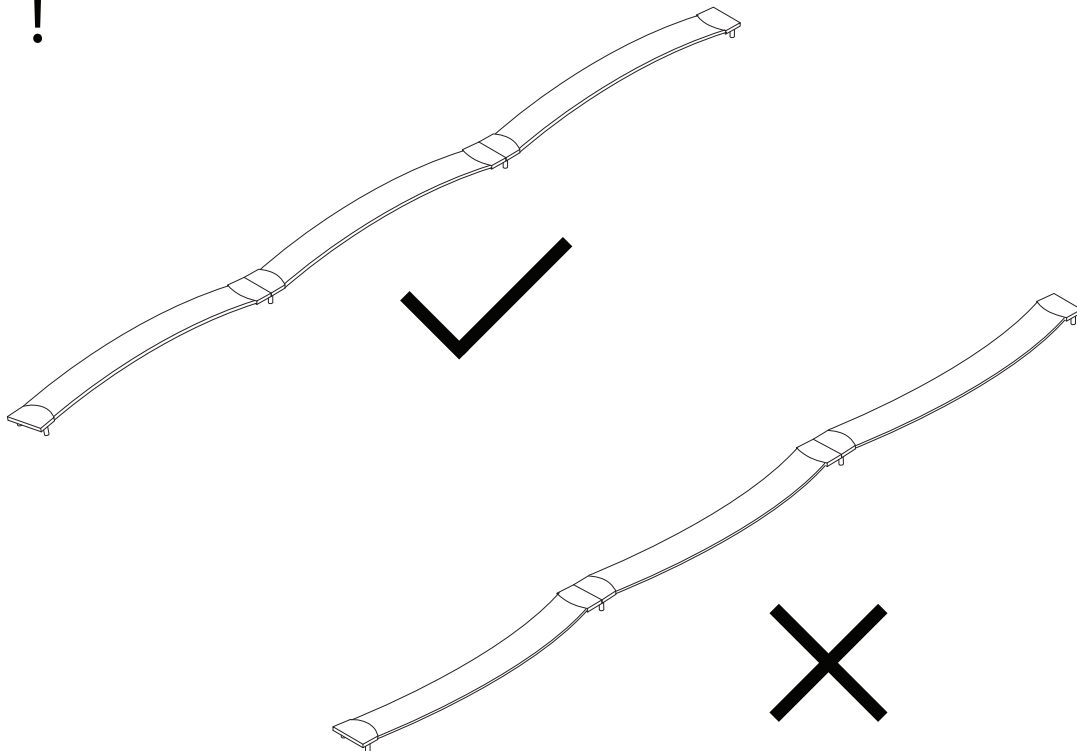


9 x 13

<p>6</p>  <p>x3</p>	<p>7</p>  <p>x2</p>	<p>8</p>  <p>x2</p>
--	--	--



!



10

