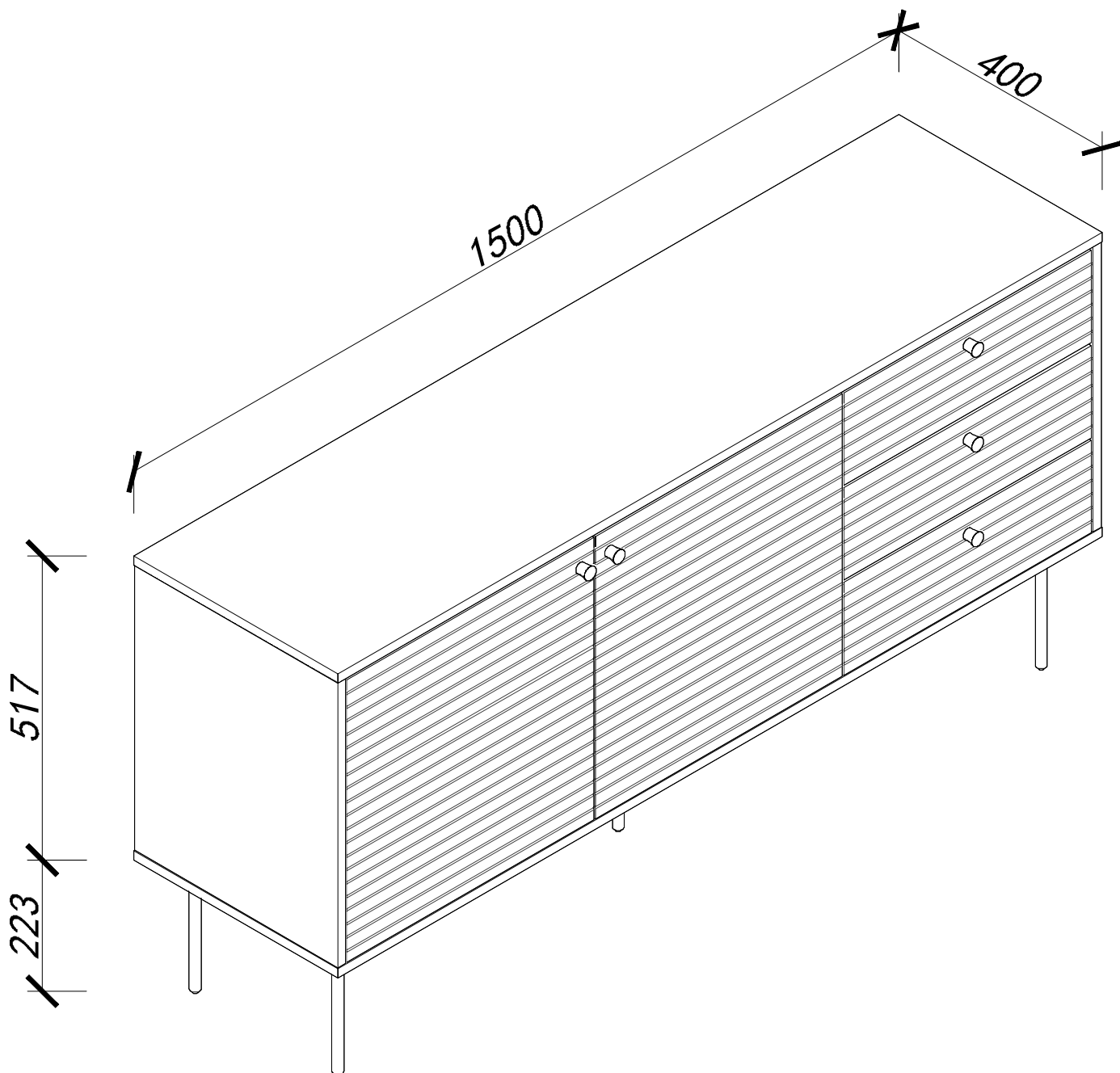
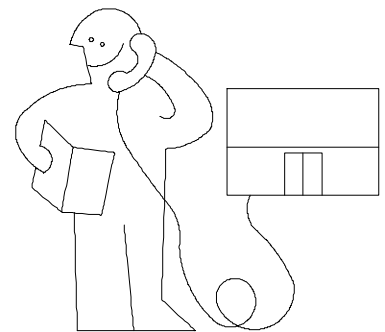
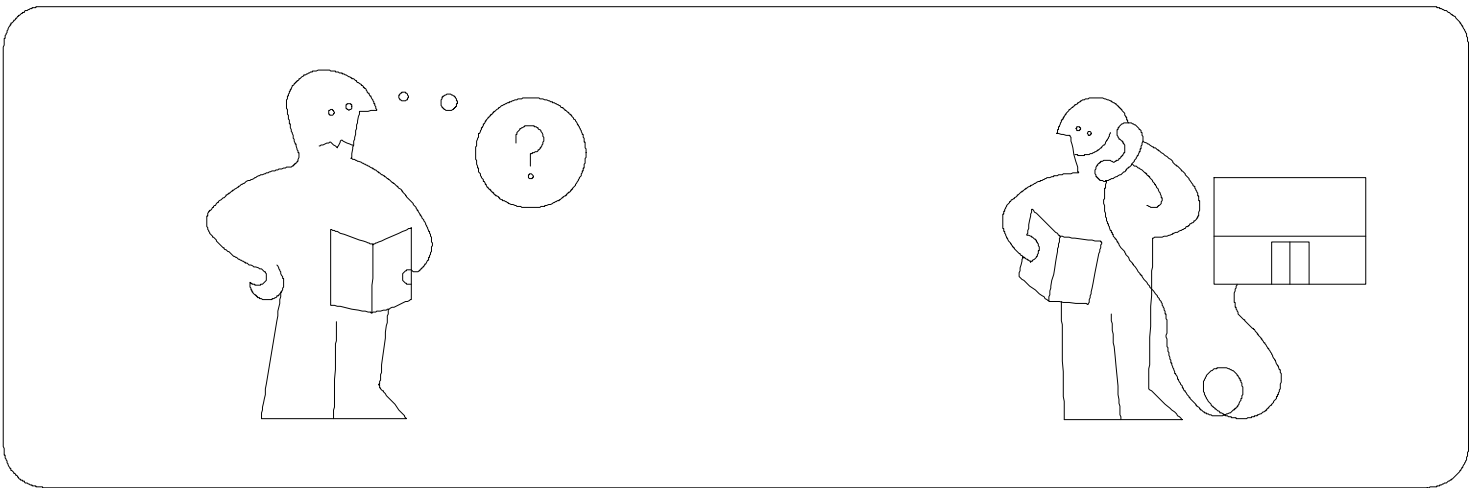
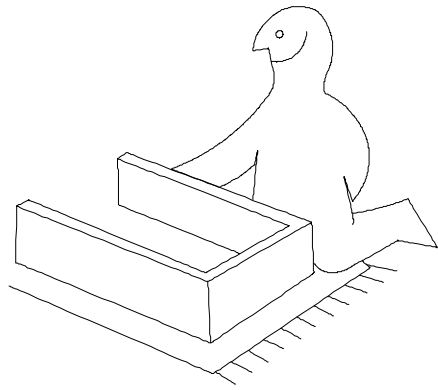
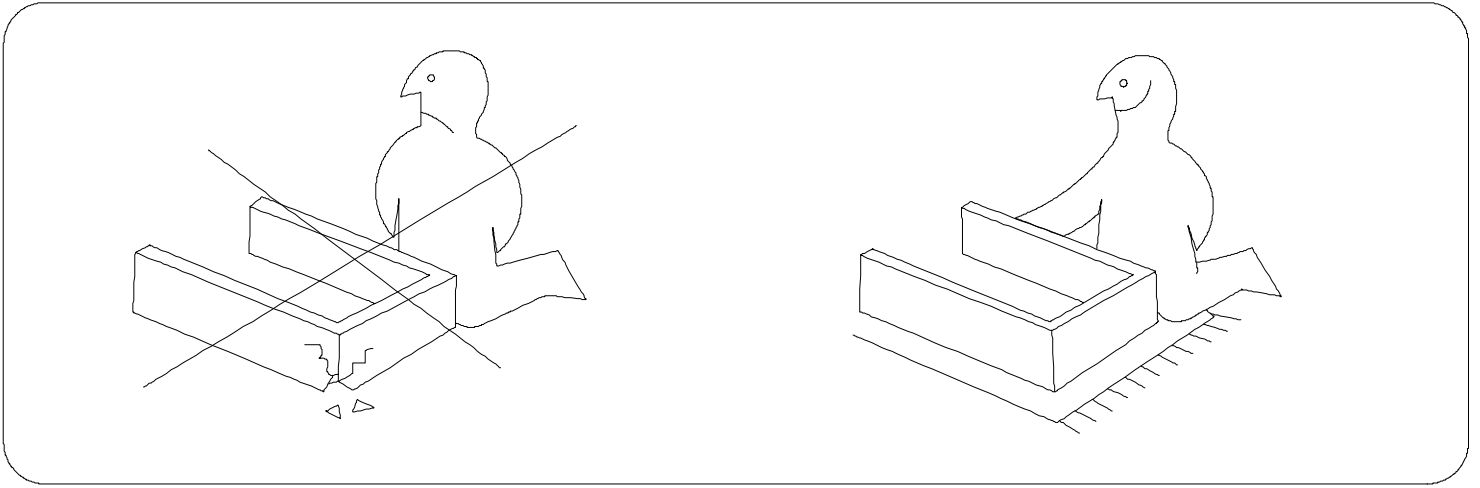
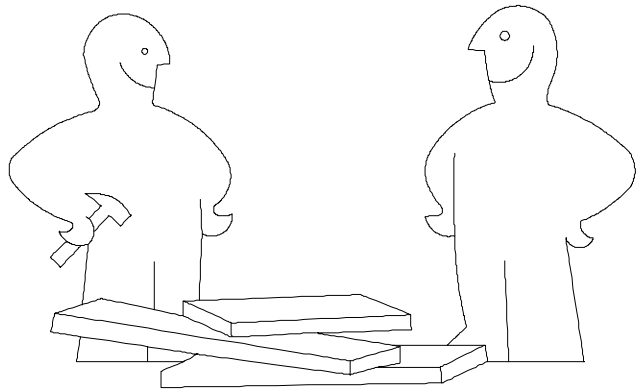
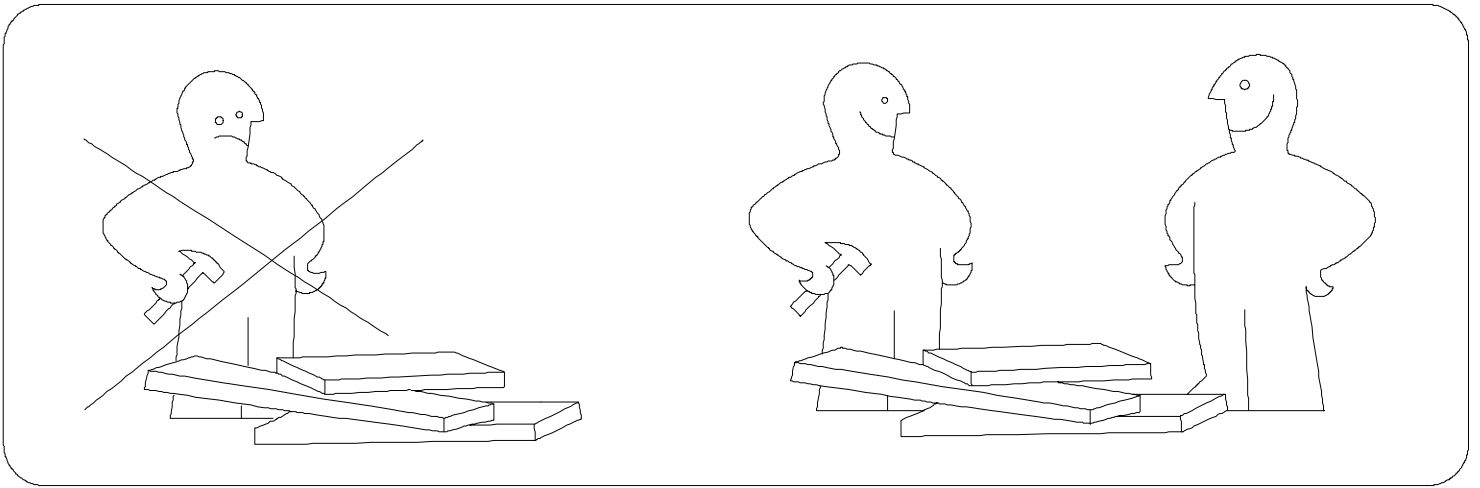
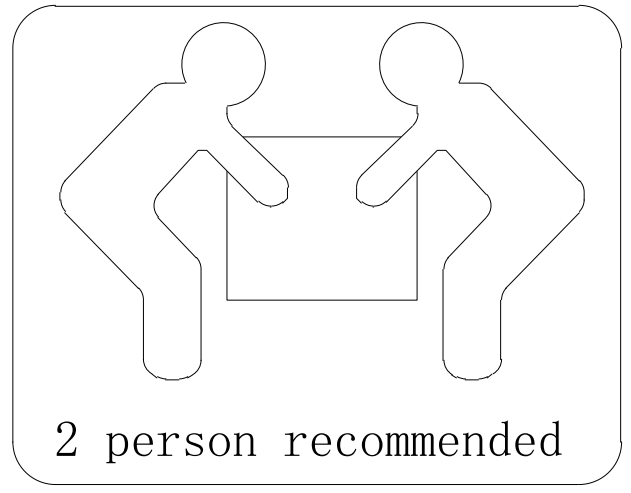
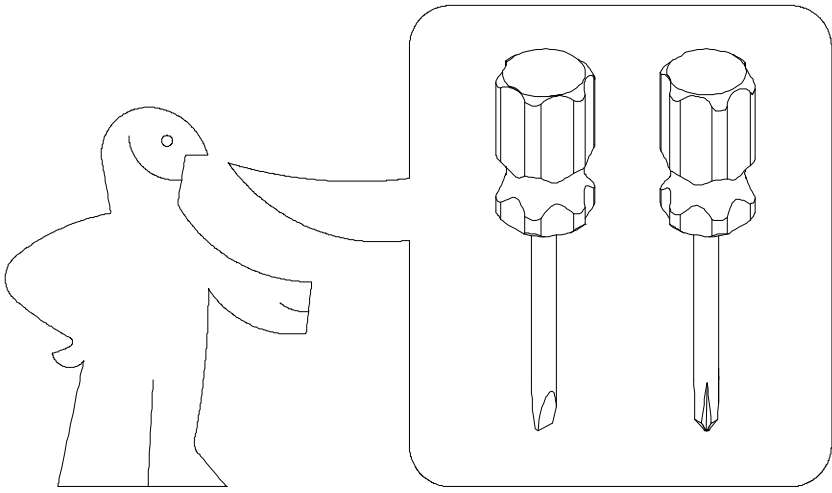


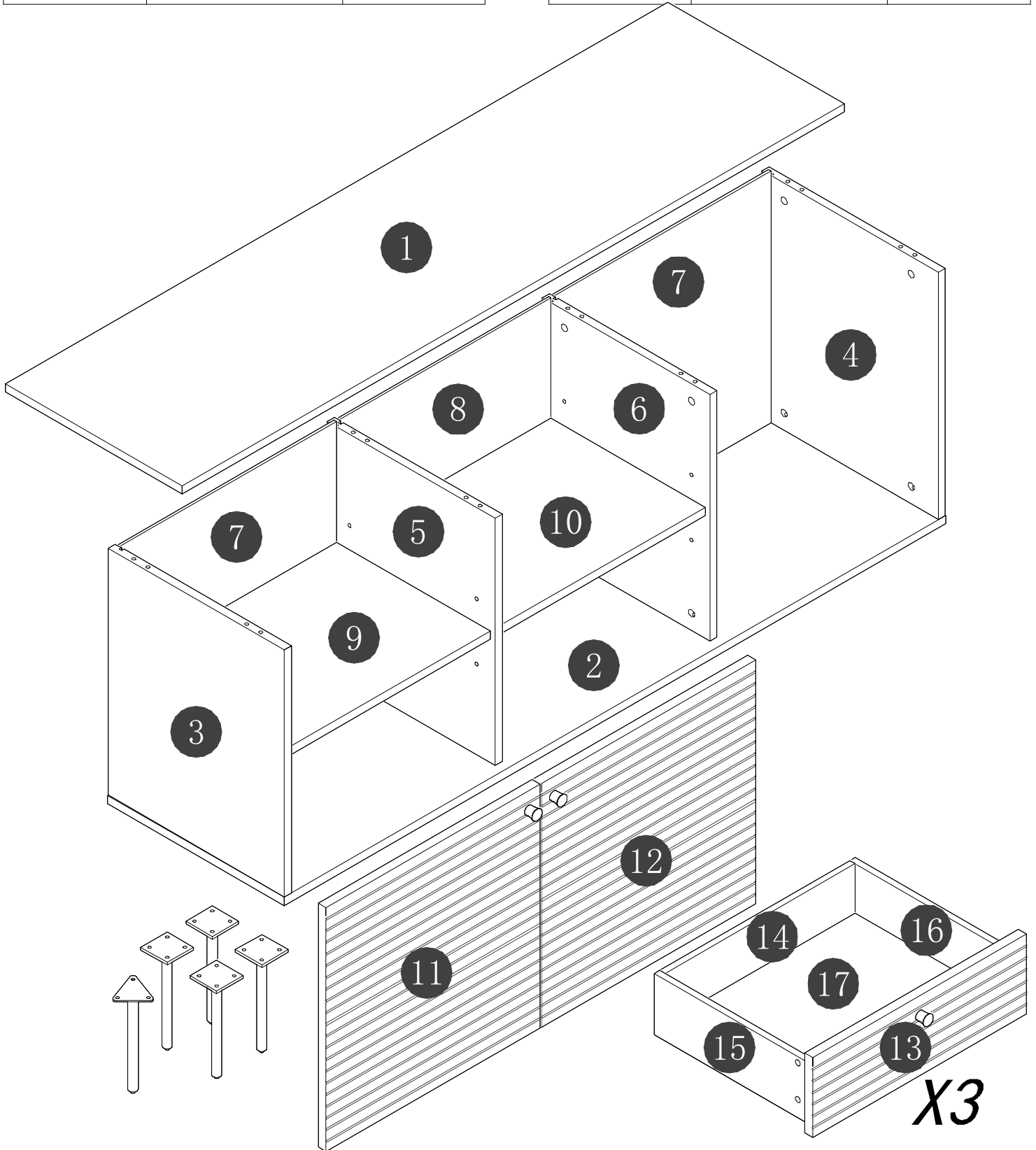
Assembly Instruction





| Panel No | Panel Sizes | Quantity |
|----------|-------------|----------|
| 1 | 1500*400*16 | 1 |
| 2 | 1500*400*16 | 1 |
| 3 | 485*399*16 | 1 |
| 4 | 485*399*16 | 1 |
| 5 | 485*380*16 | 1 |
| 6 | 485*380*16 | 1 |
| 7 | 495*491*5 | 2 |
| 8 | 495*482*5 | 1 |
| 9 | 478*350*16 | 1 |

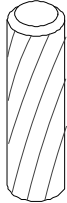
| Panel No | Panel Sizes | Quantity |
|----------|-------------|----------|
| 10 | 469*350*16 | 1 |
| 11 | 485*479*18 | 1 |
| 12 | 485*479*18 | 1 |
| 13 | 485*157*18 | 3 |
| 14 | 431*120*12 | 3 |
| 15 | 350*120*12 | 3 |
| 16 | 350*120*12 | 3 |
| 17 | 441*348*5 | 3 |
| | | |



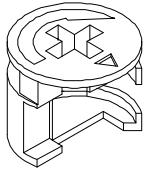
Fittings



A=16



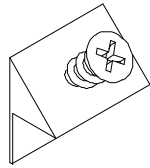
B=16



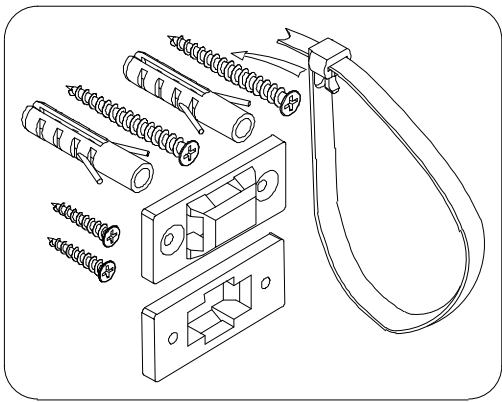
C=16



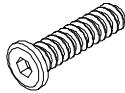
D=40



E=12



F=1

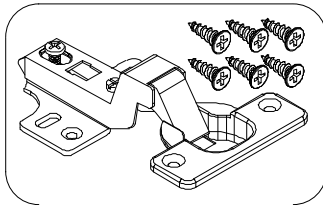


M6*16

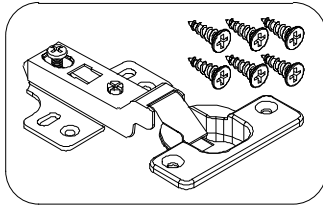
G=19



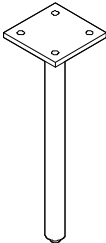
H=1



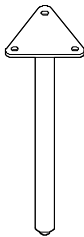
I3=2



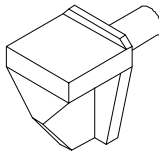
I2=2



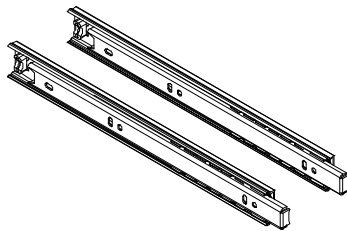
J-1=4



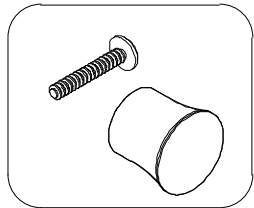
J-2=1



L=8



N=3



U=5



O=24



P=24



M3.5*12

V1=24

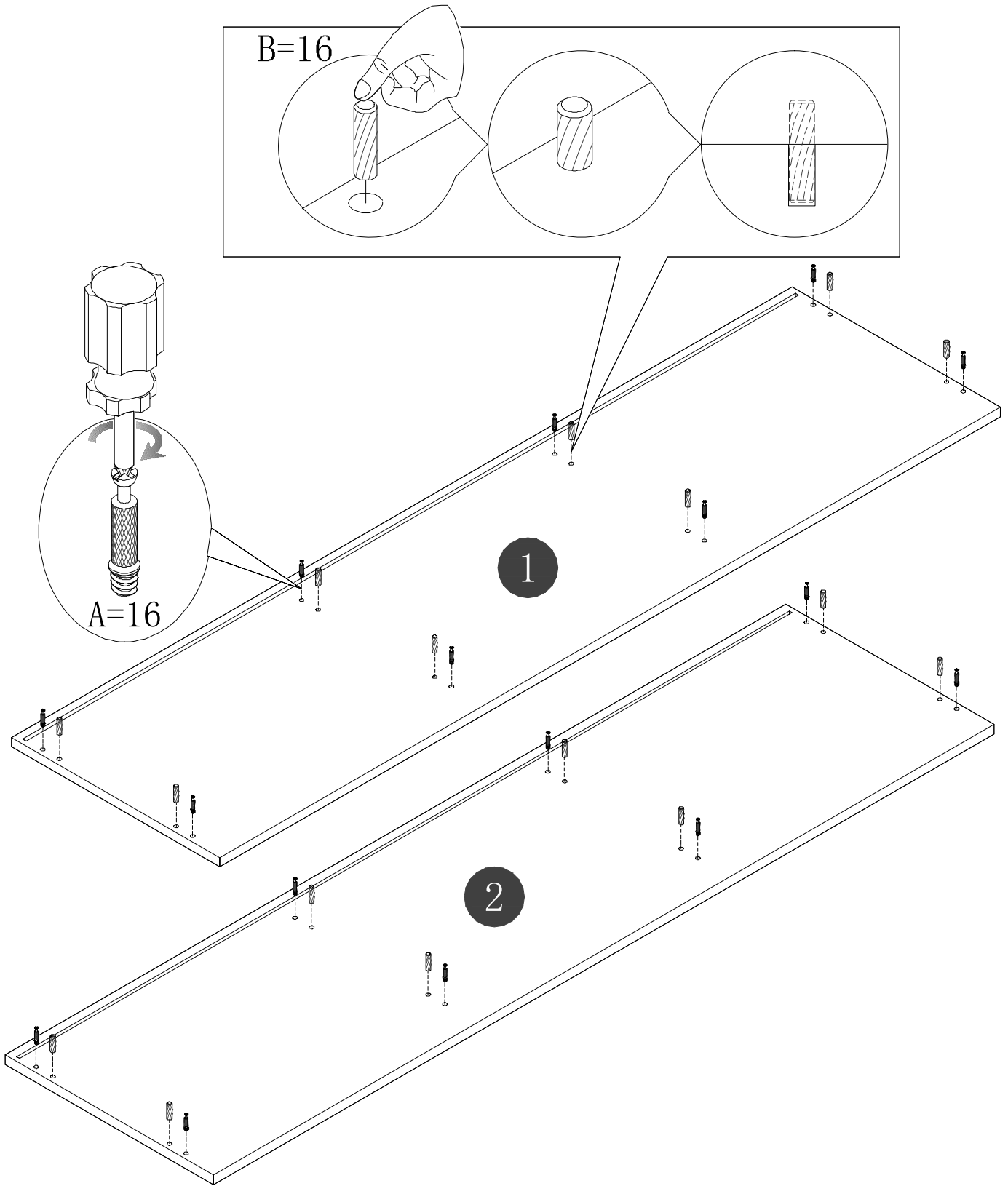


Z1=19

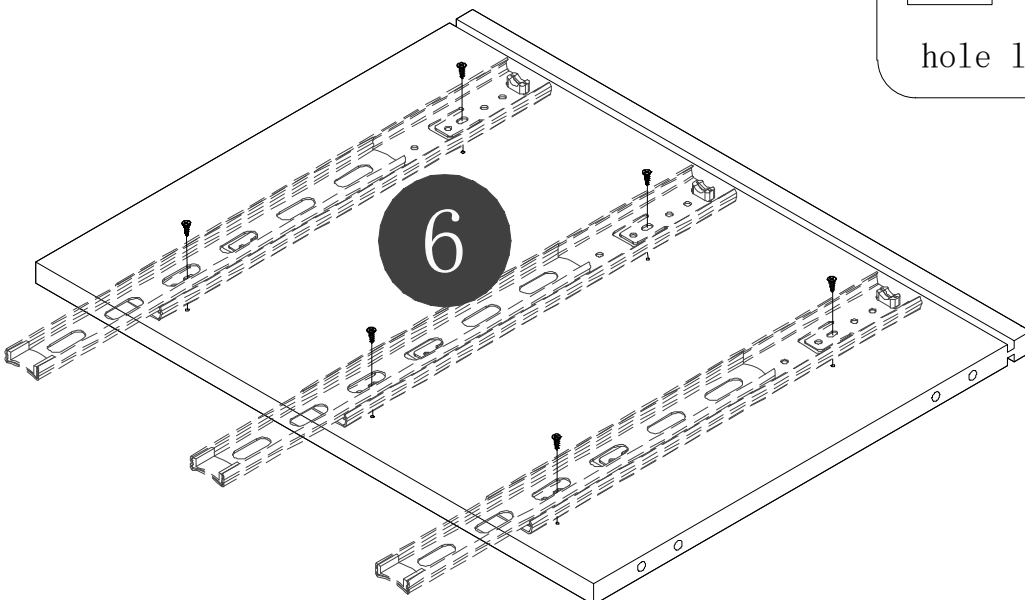
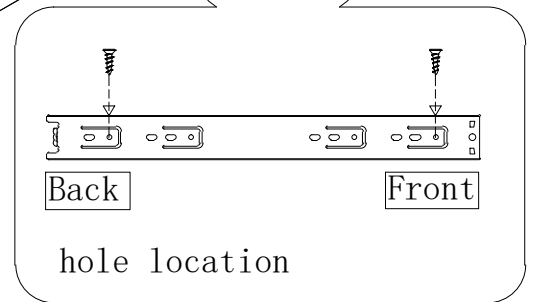
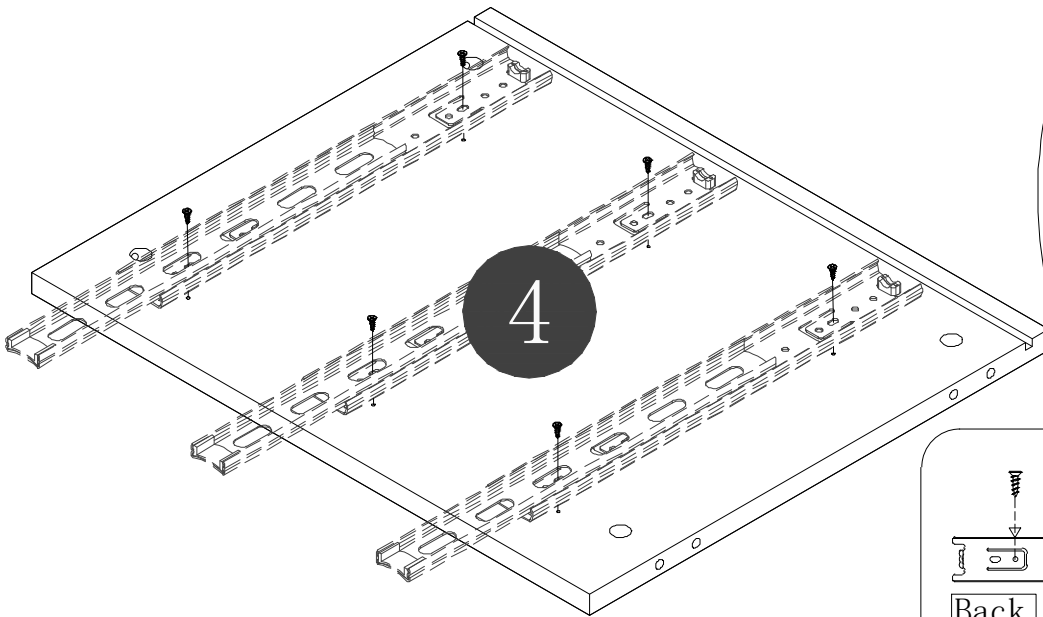
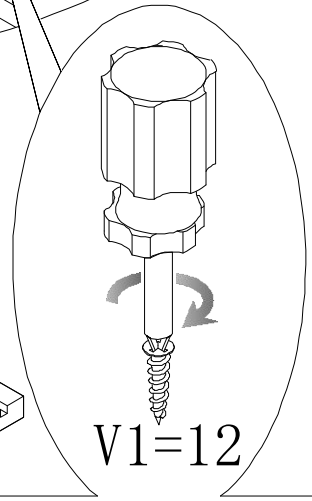
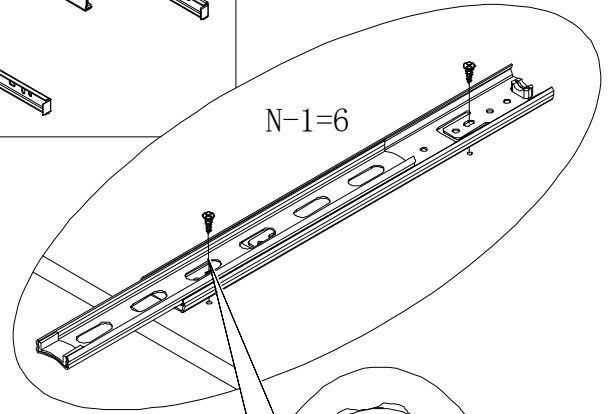
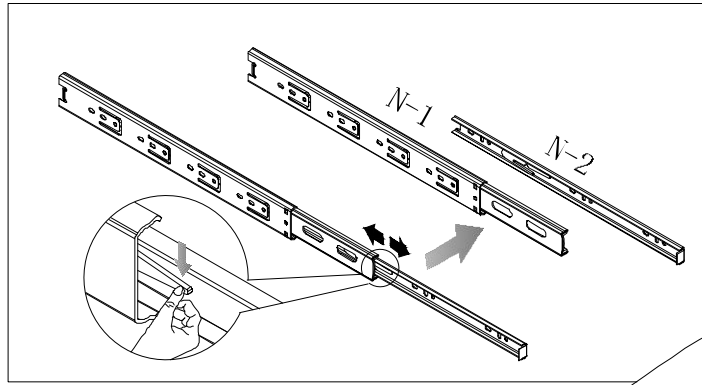


Z2=19

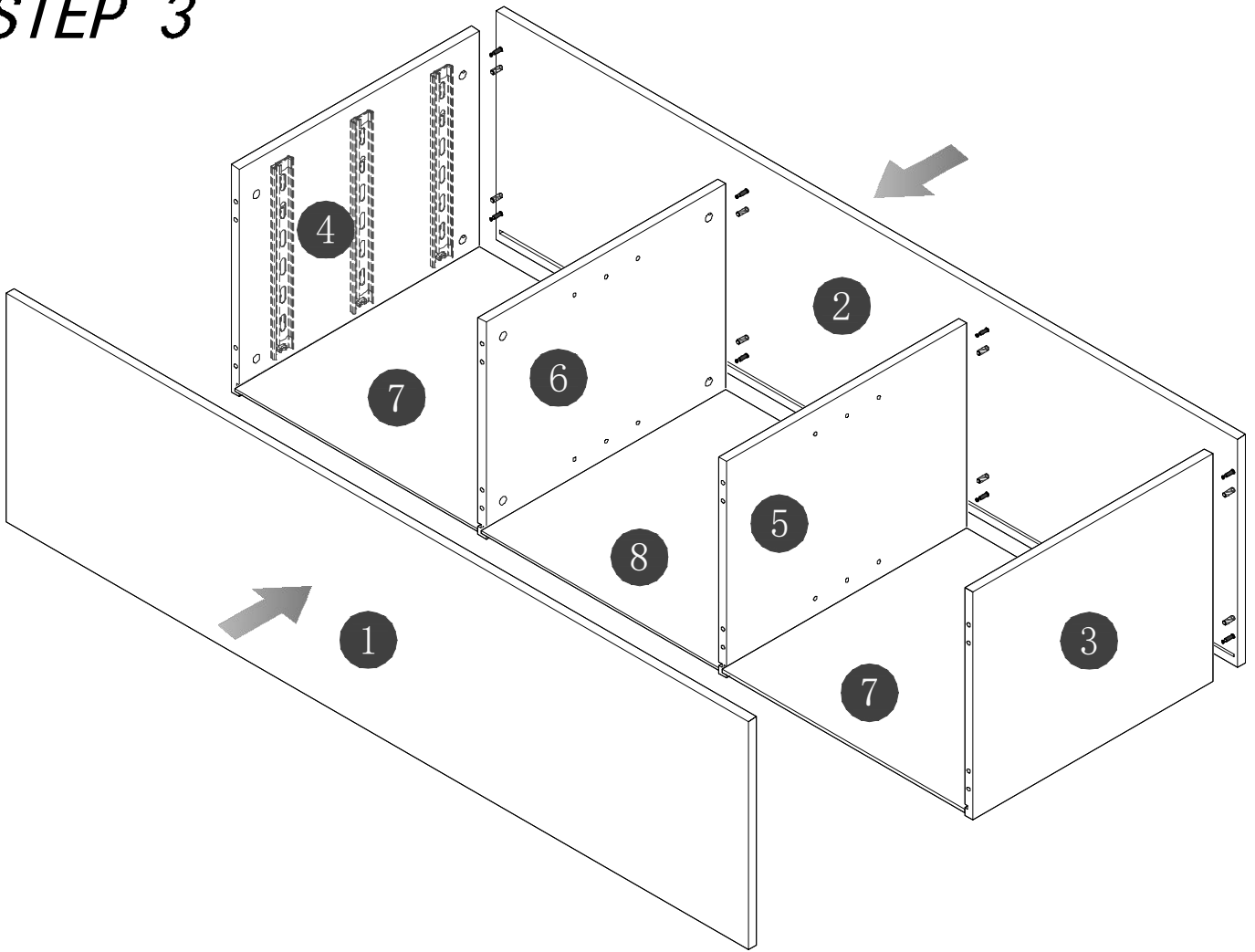
STEP 1



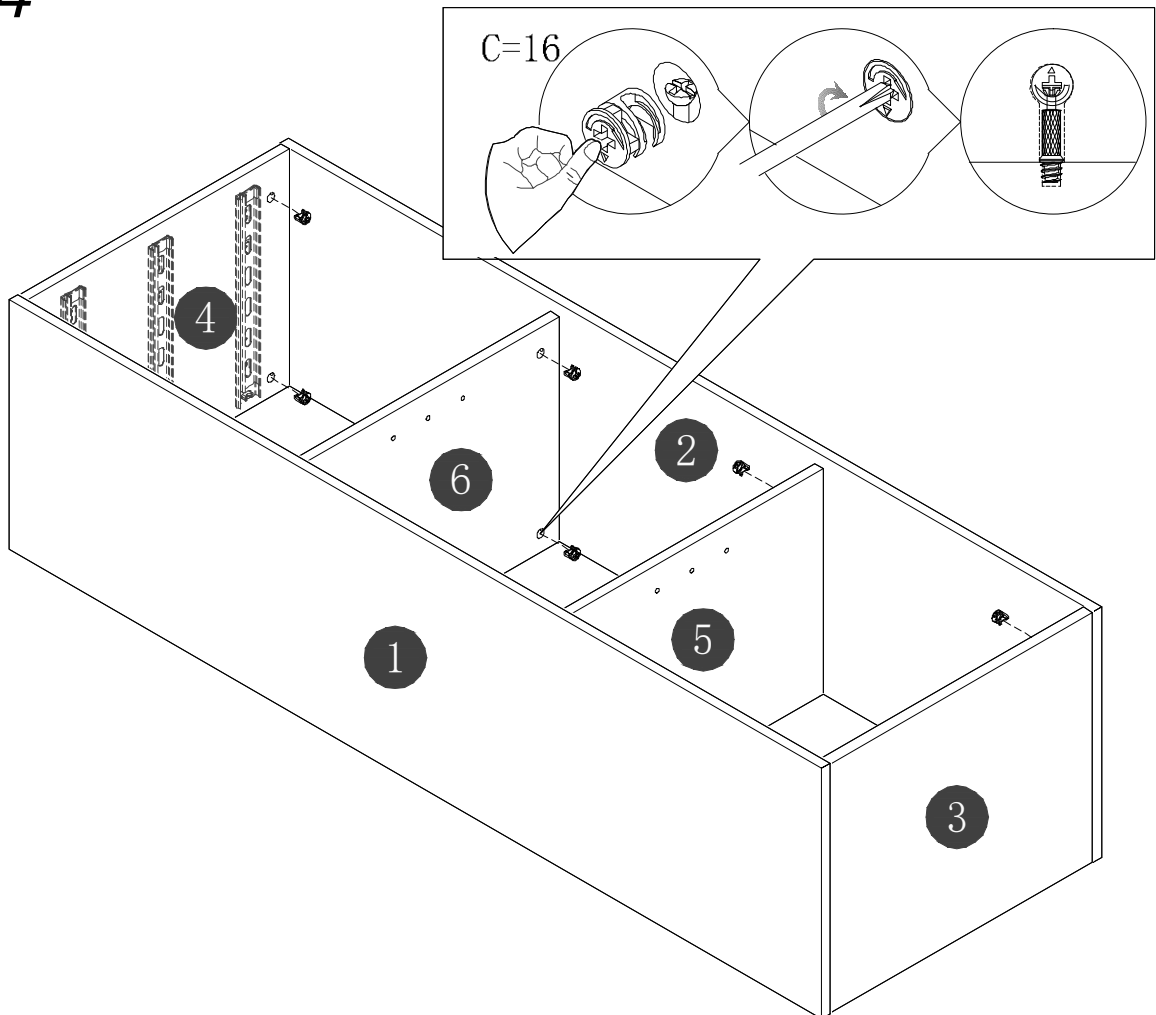
STEP 2



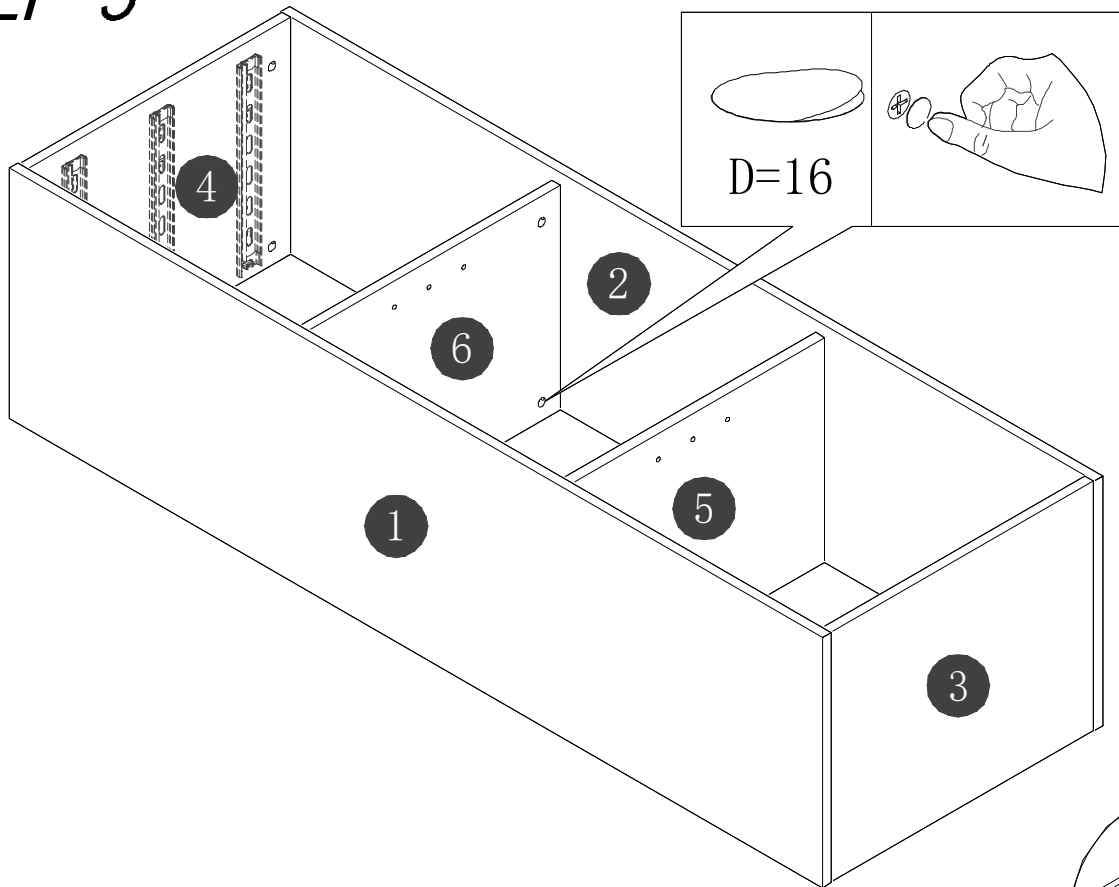
STEP 3



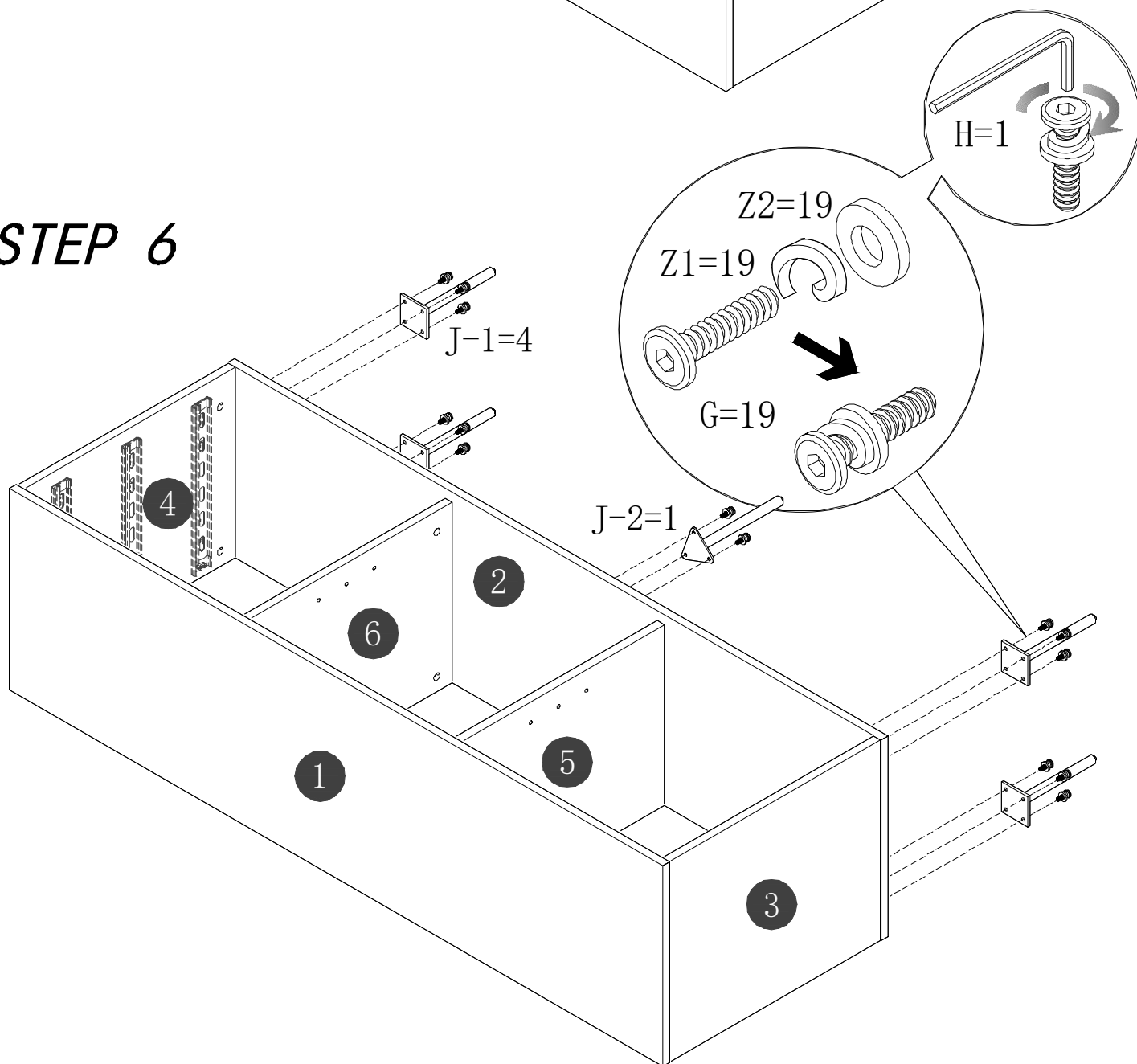
STEP 4



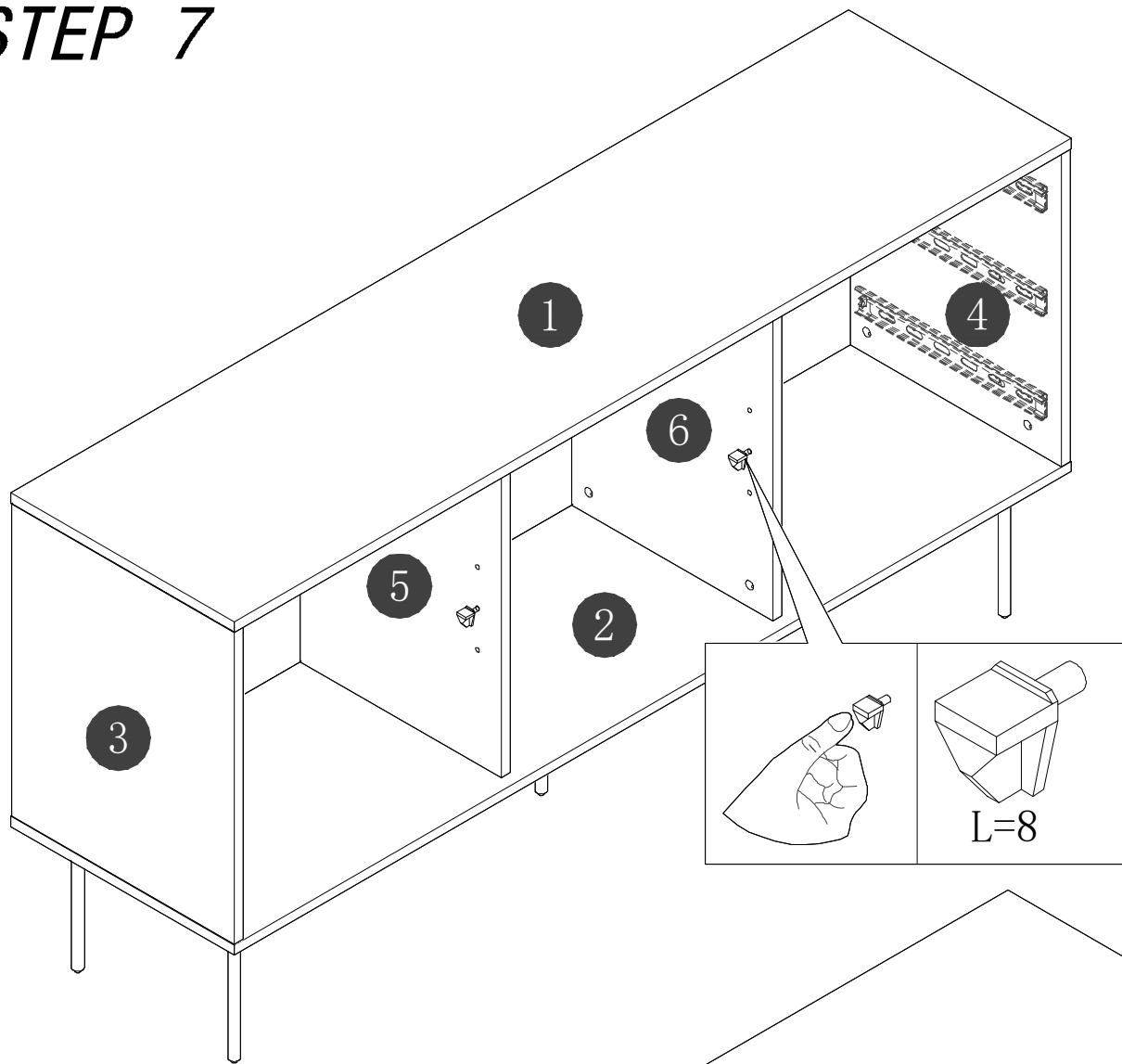
STEP 5



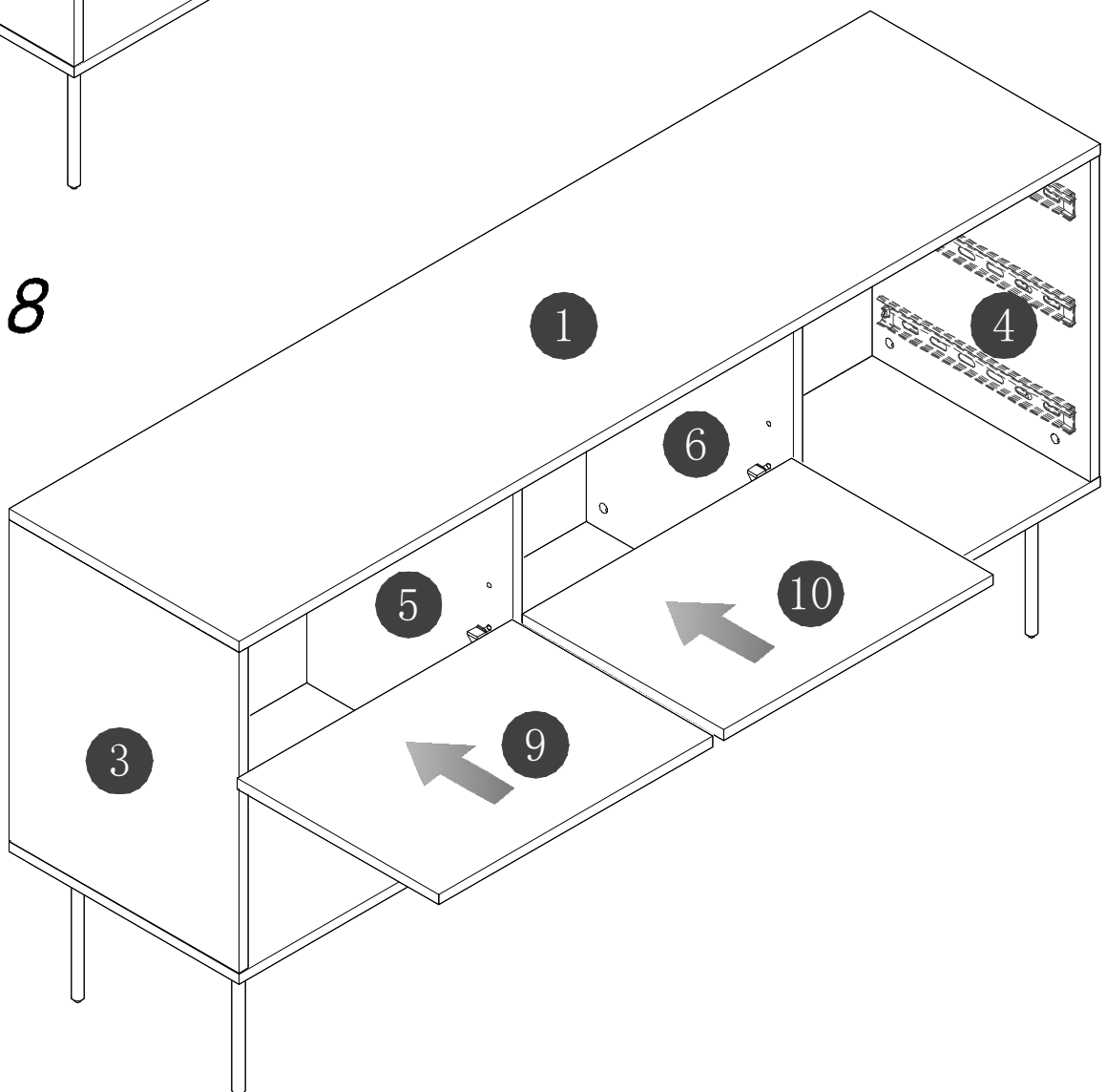
STEP 6



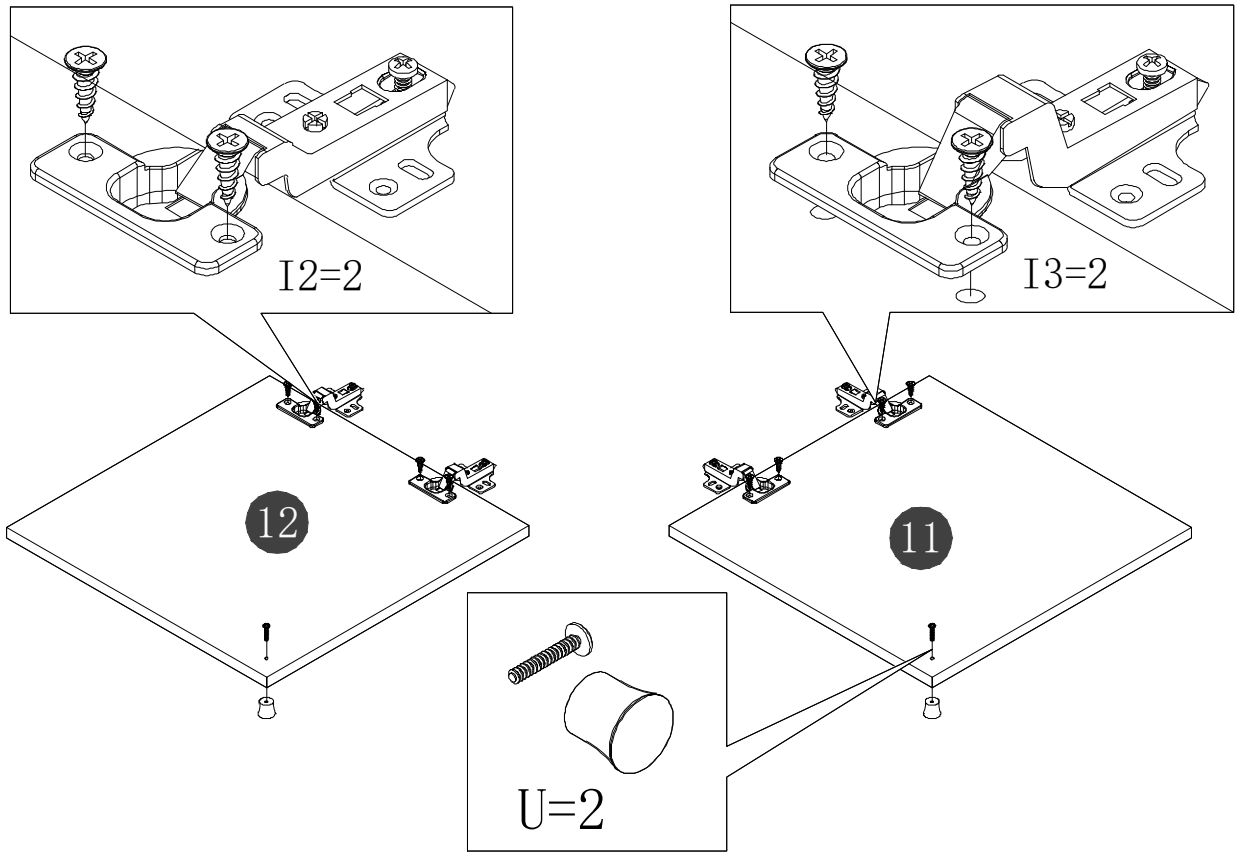
STEP 7



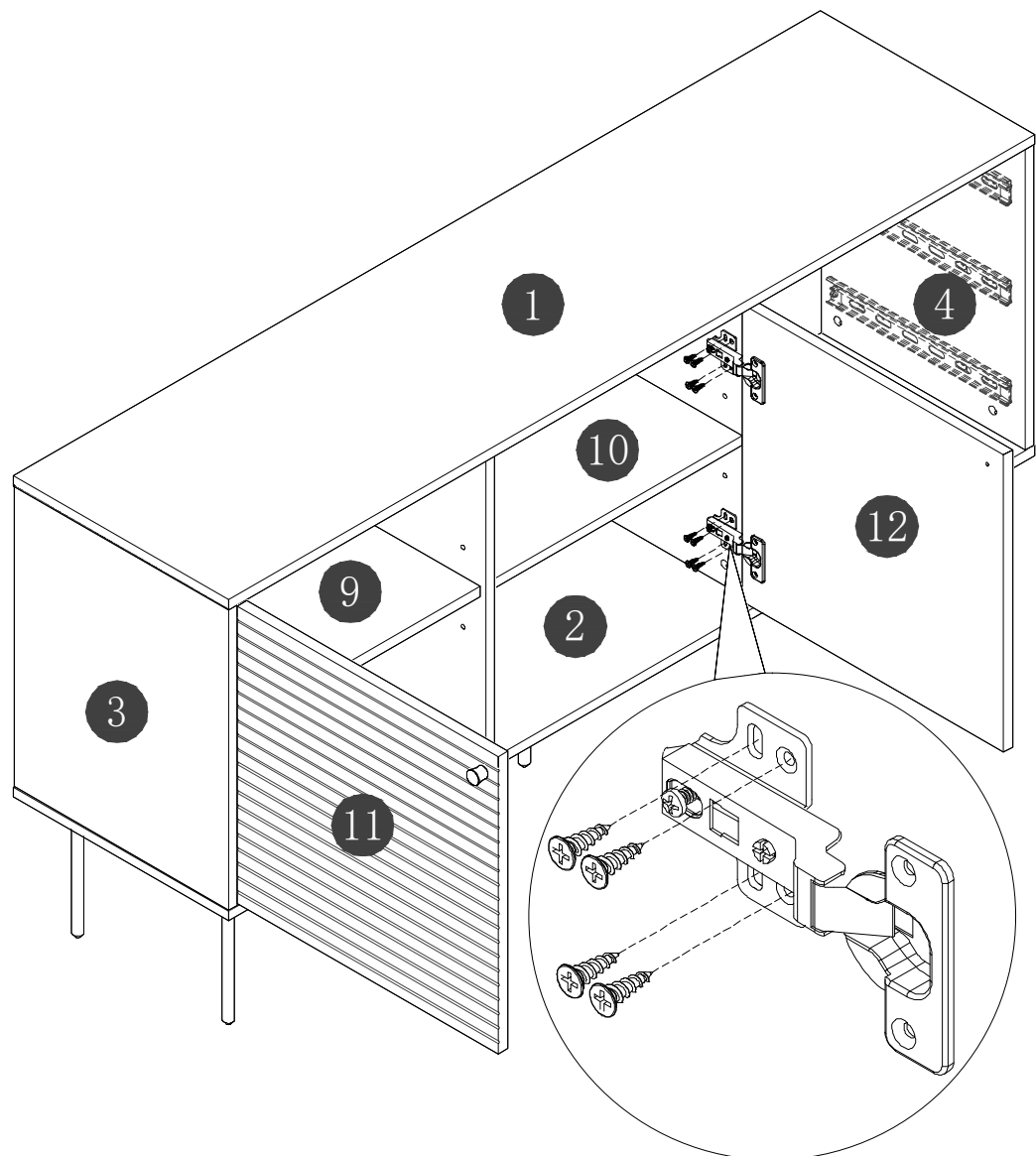
STEP 8



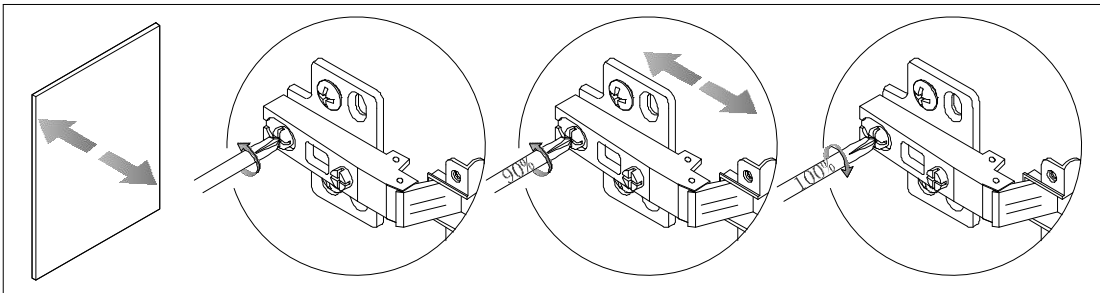
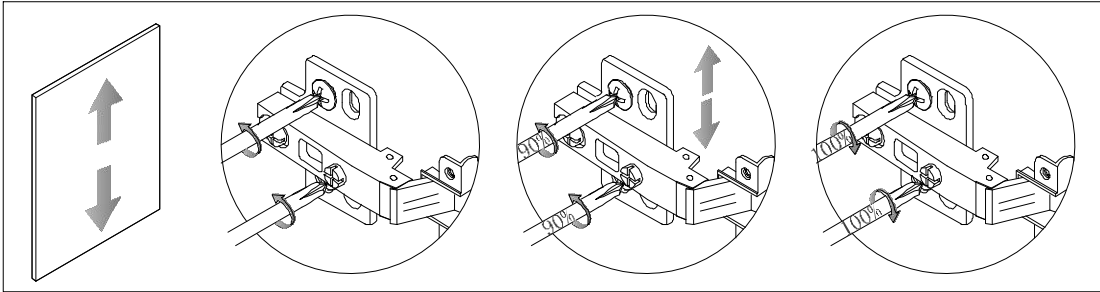
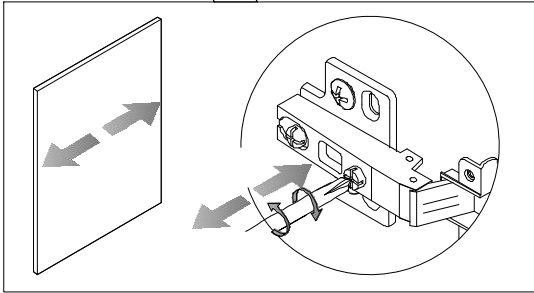
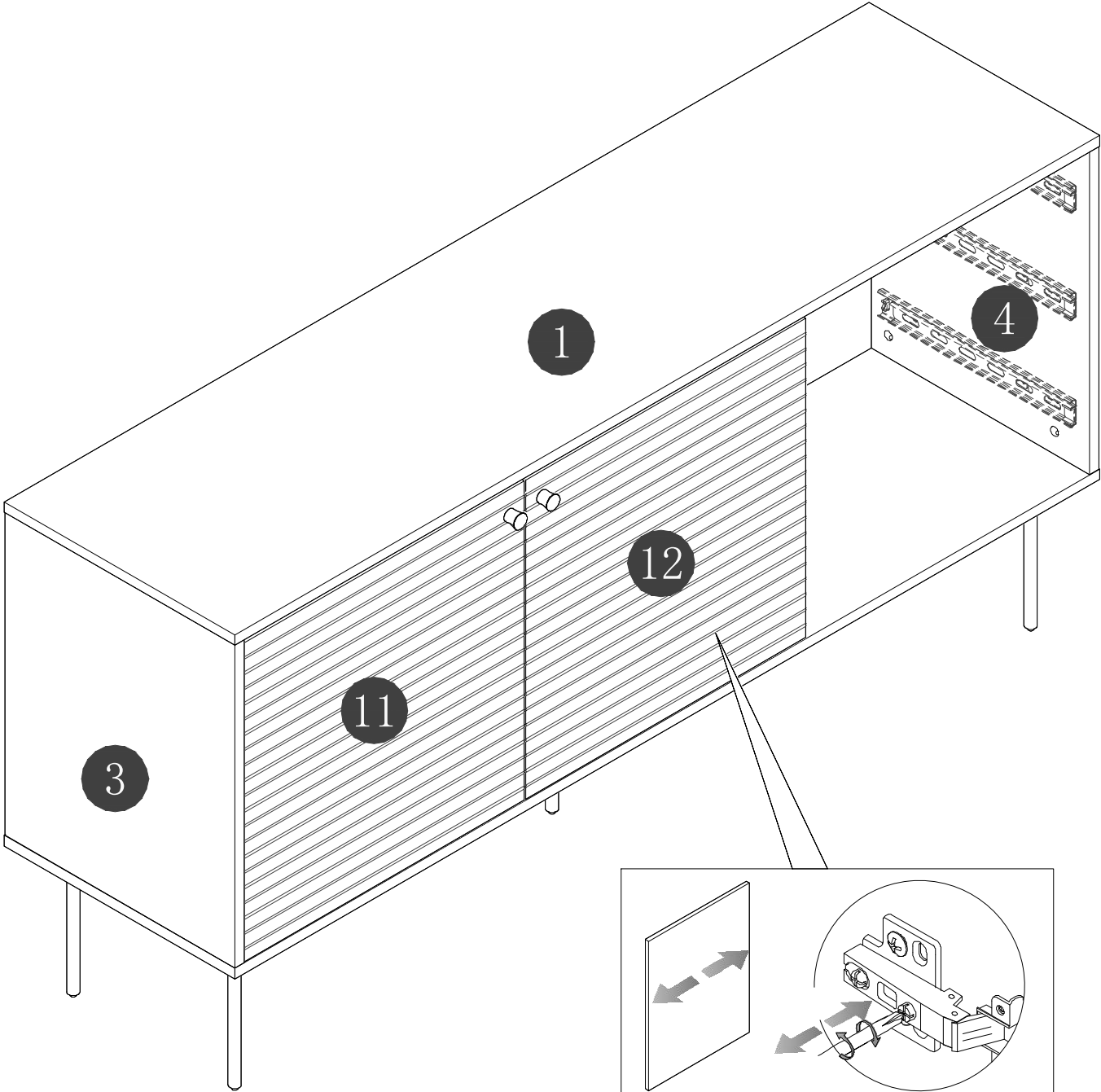
STEP 9



STEP 10

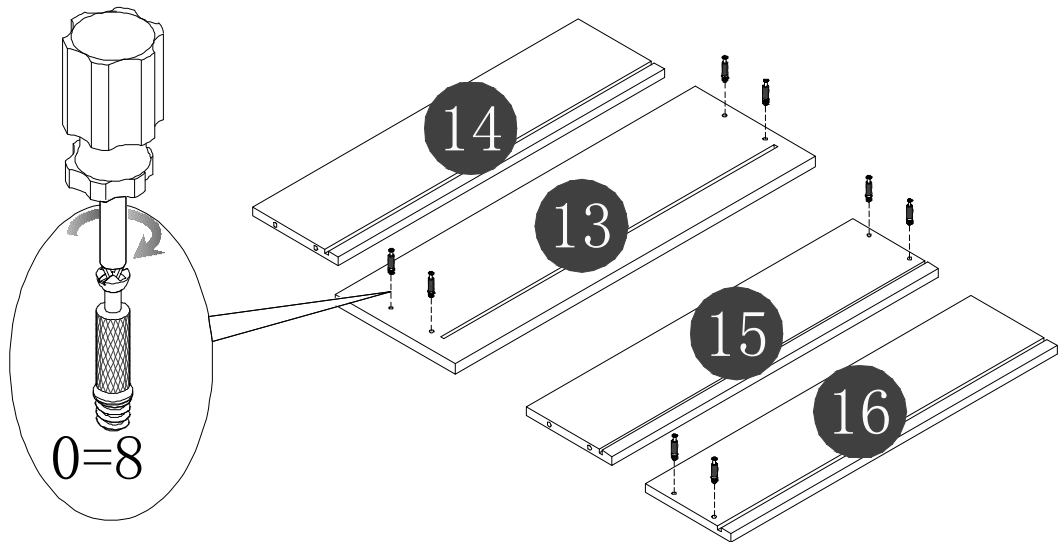


STEP 11

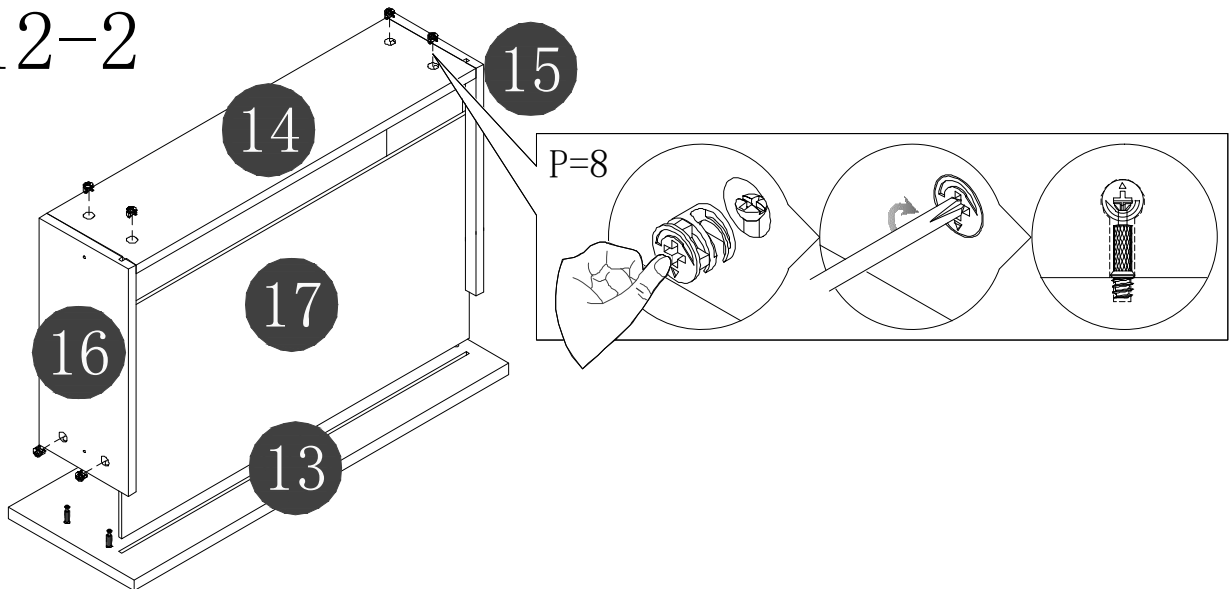


STEP 12

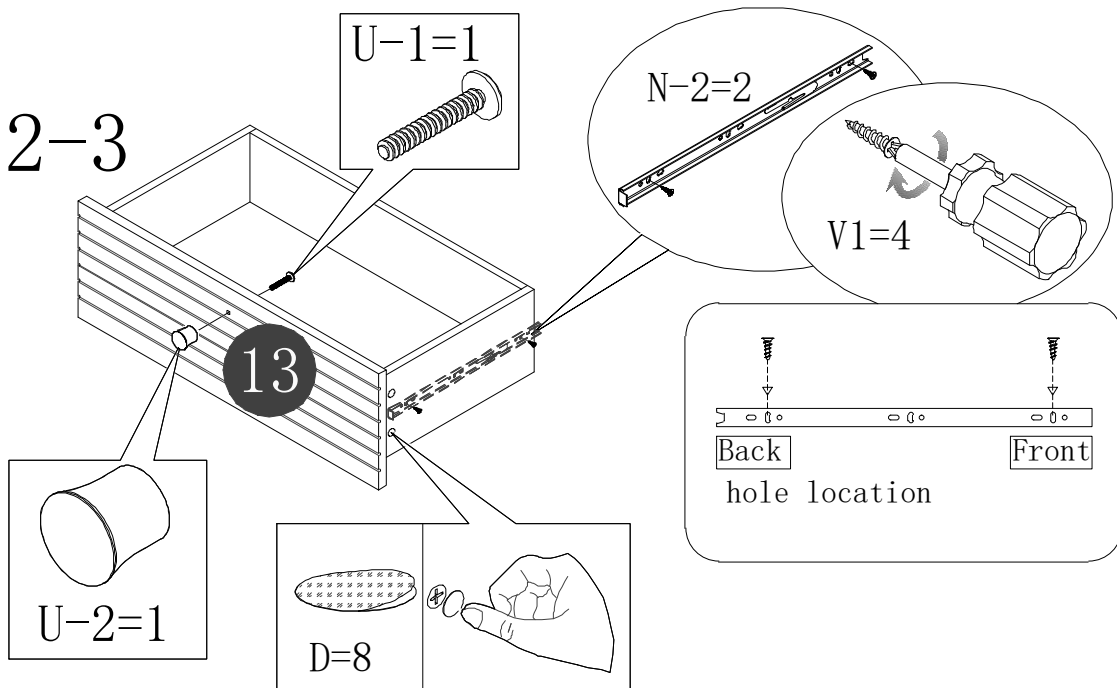
12-1



12-2

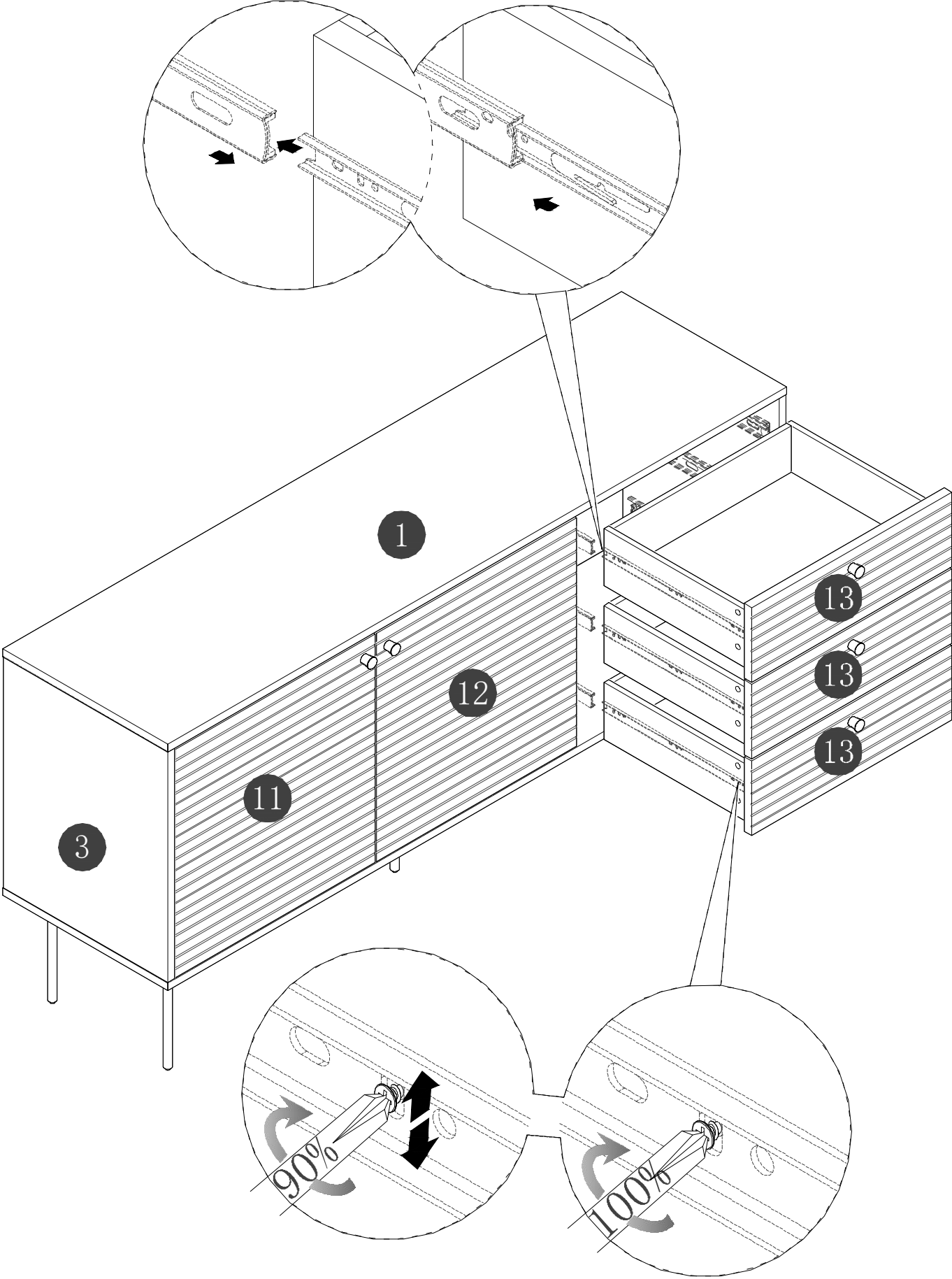


12-3

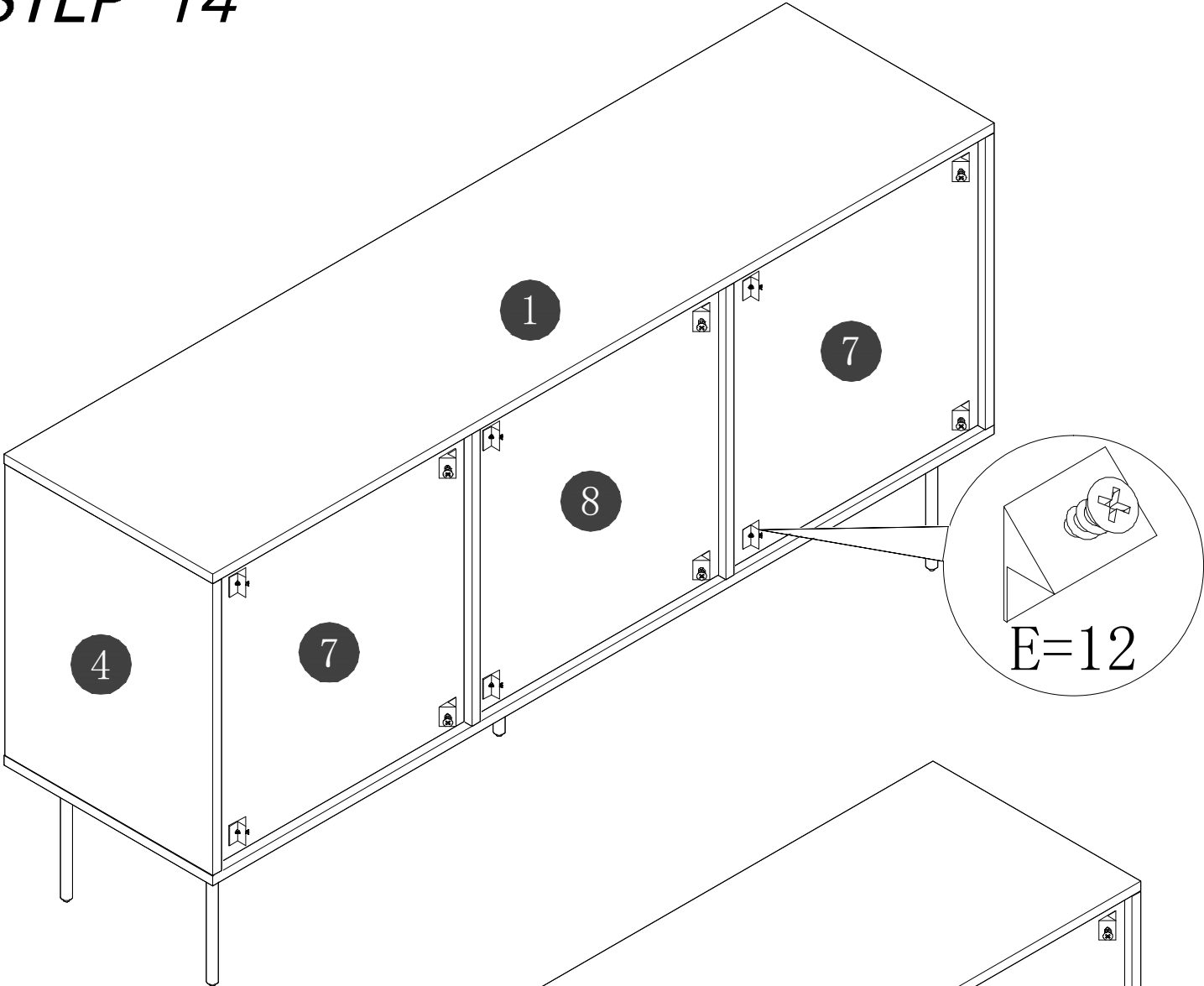


X3

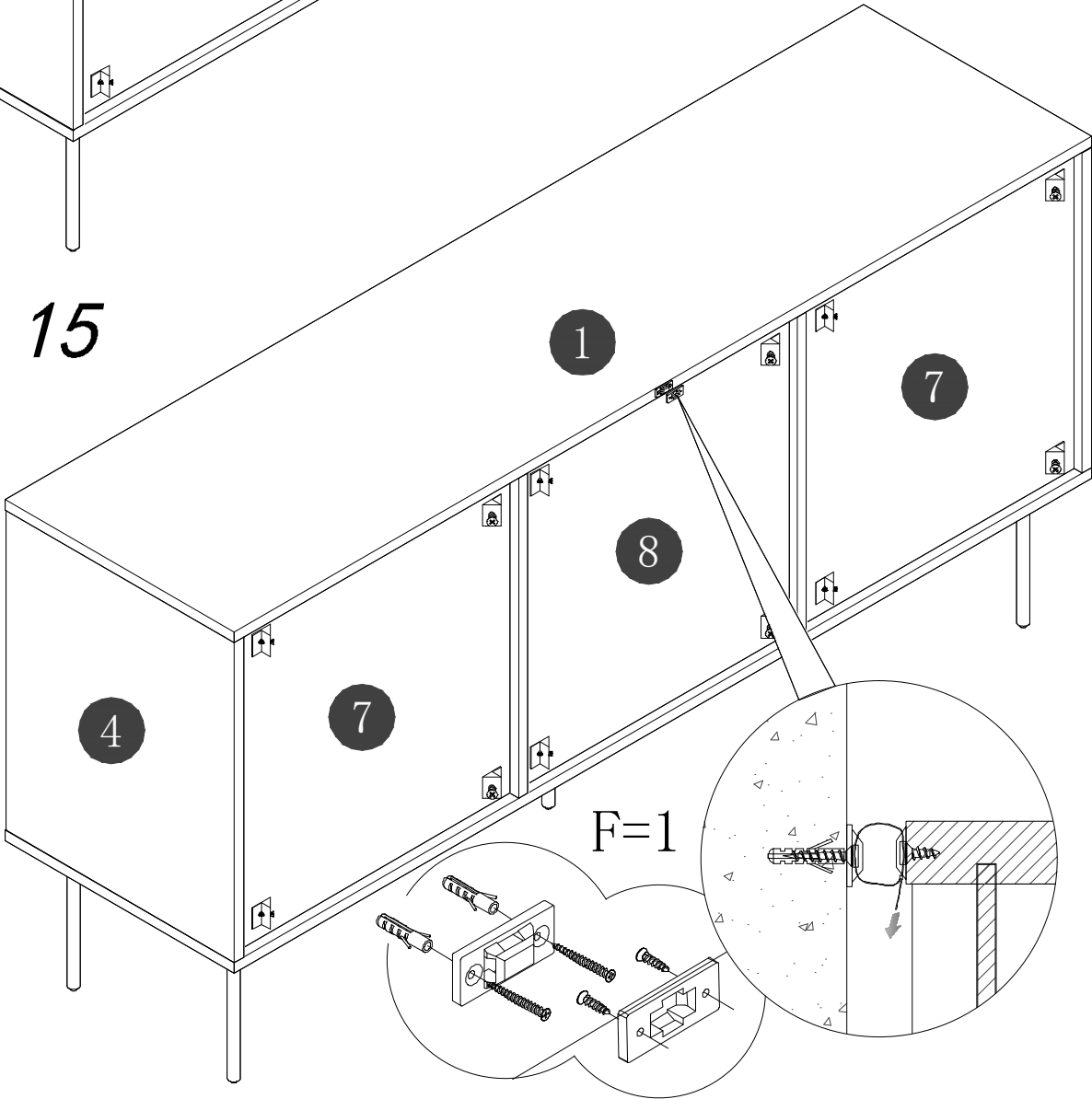
STEP 13



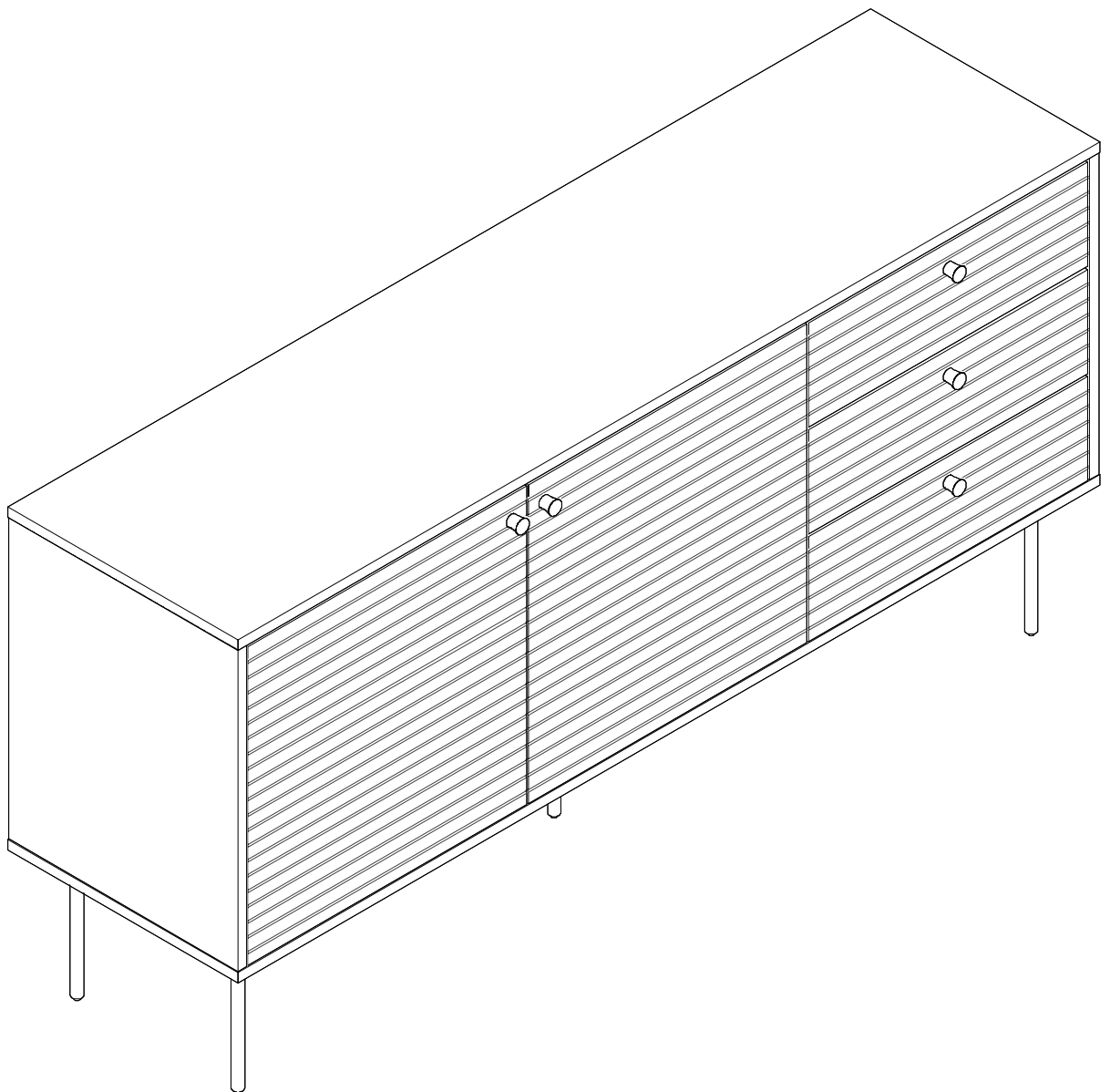
STEP 14



STEP 15



STEP 16



Finish