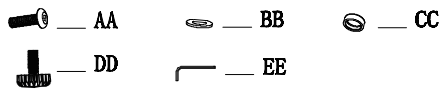
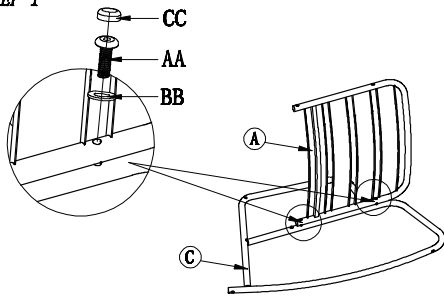


ASSEMBLY INSTRUCTION

NO.	SKETCH	QTY
AA		8
BB		8
CC		8
DD		2
EE		1

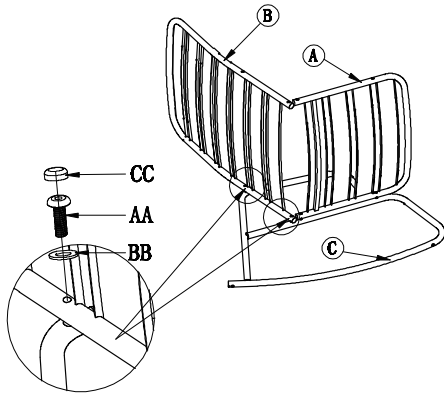


STEP 1

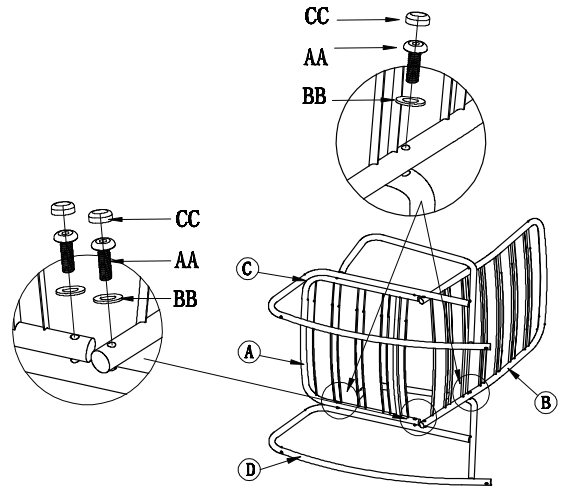


NO.	SKETCH	QTY
A		1
B		1
C		1
D		1
E		1

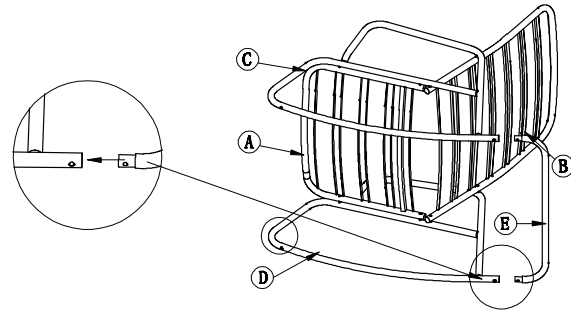
STEP 2



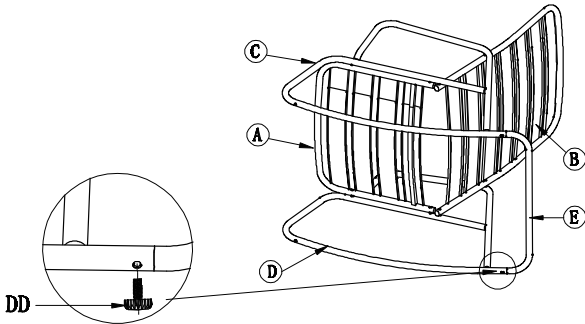
STEP 3



STEP 4



STEP 5



STEP 6

