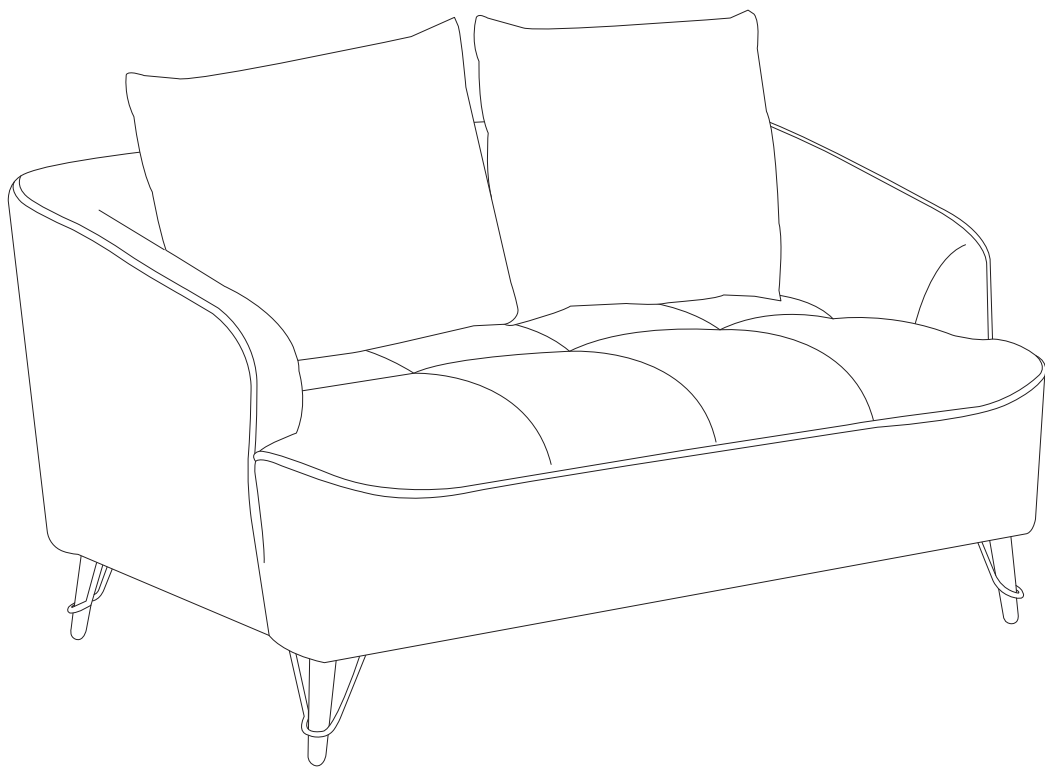
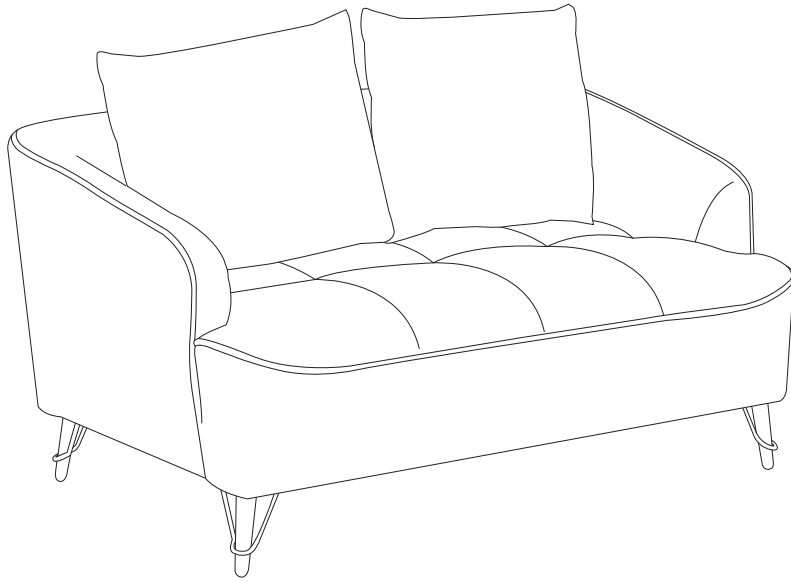
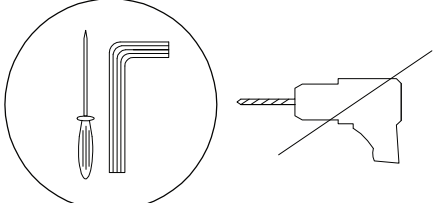

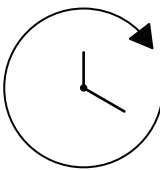
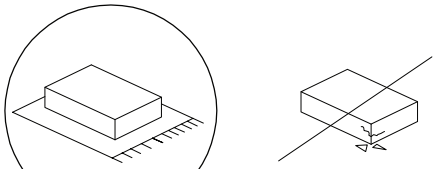


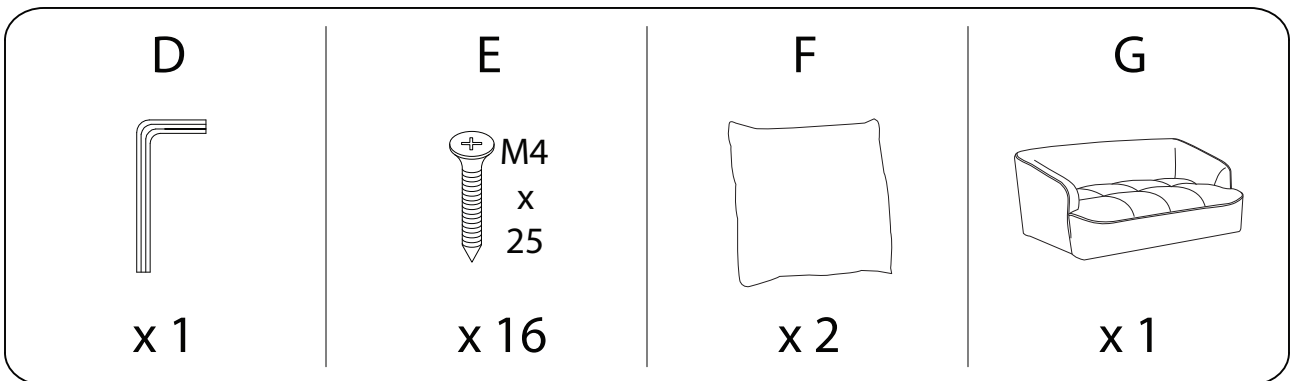
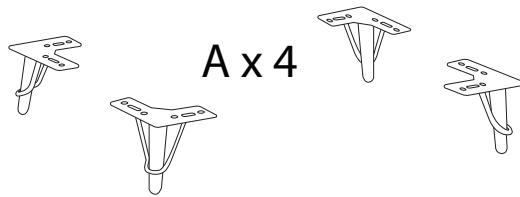
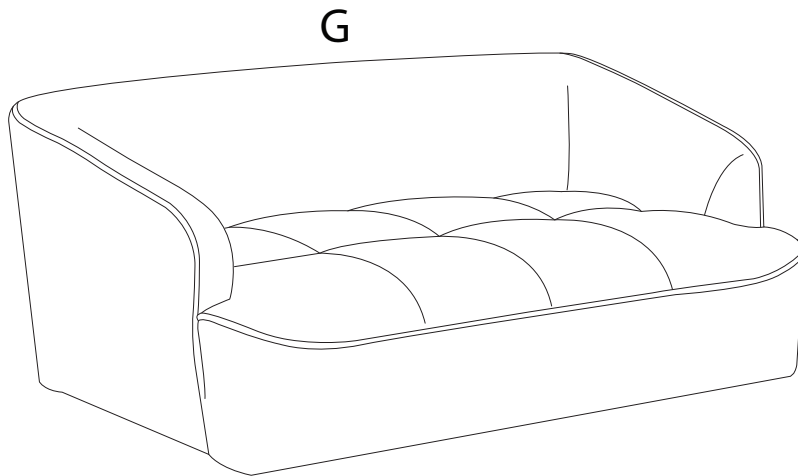
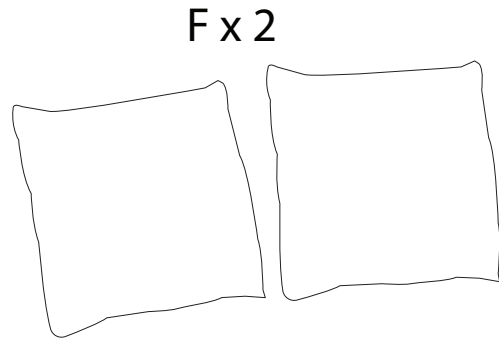
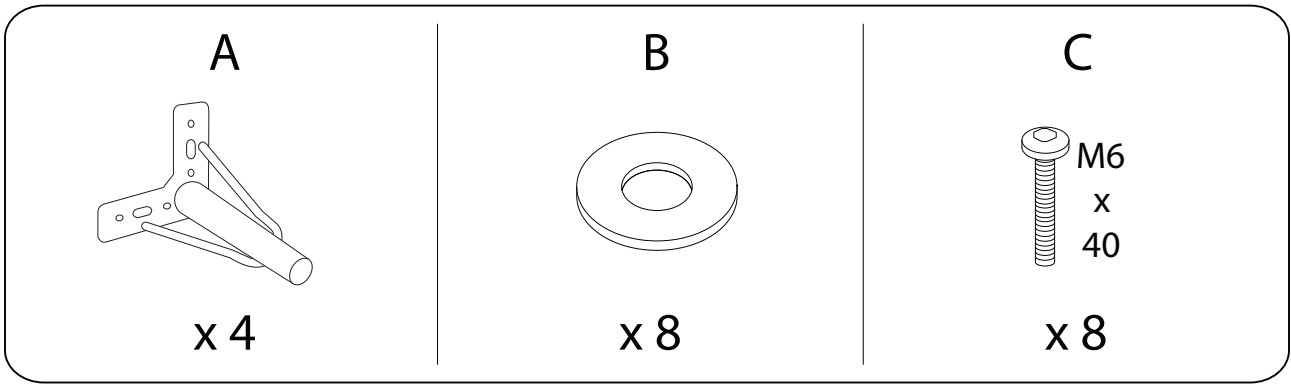


HOBRO

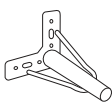
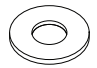
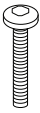

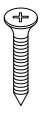



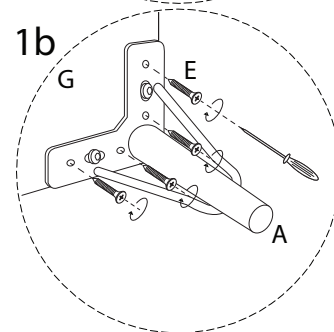
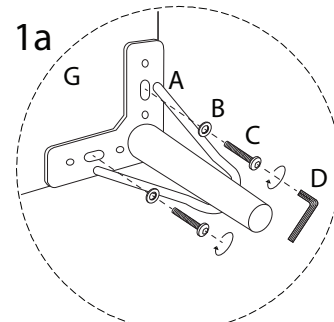
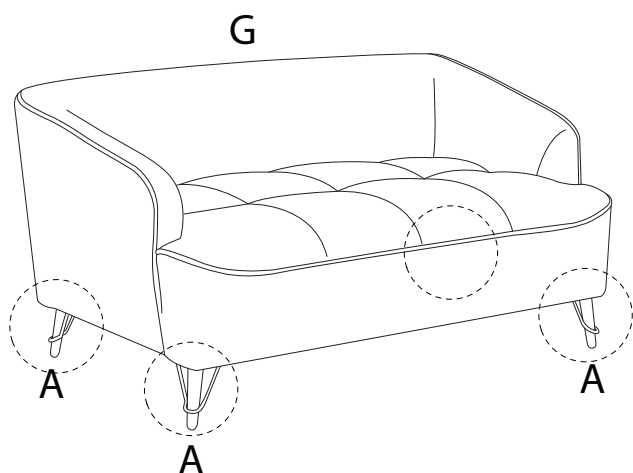


		
		10'
		
		2



1

A  x 4	B  x 8	C  M6 x 40 x 8	D  x 1	E  M4 x 25 x 16	G  x 1
--	--	---	---	--	--



2

