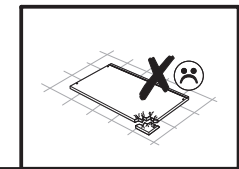
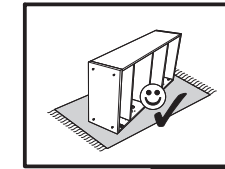
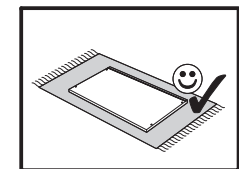
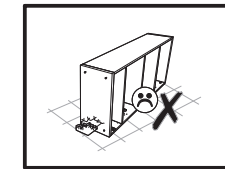
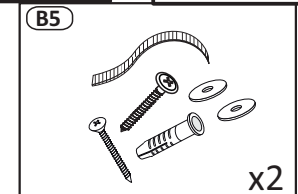
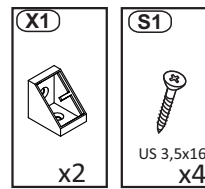
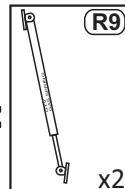
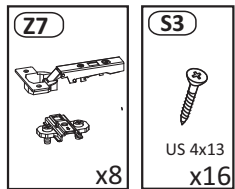
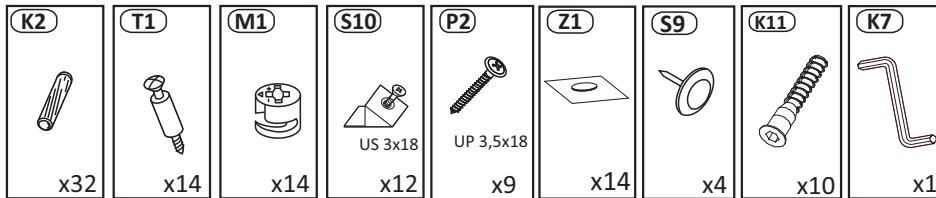
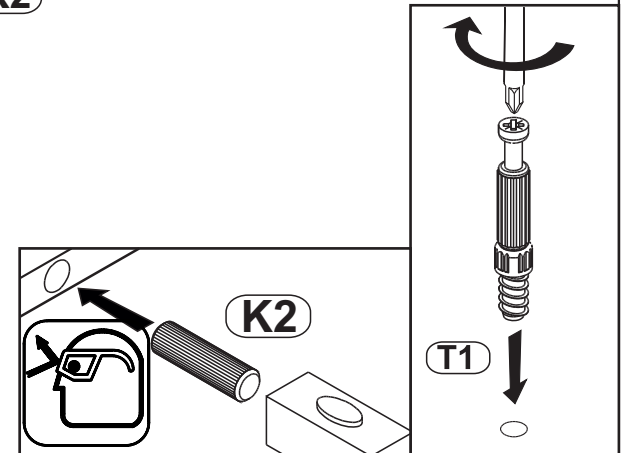
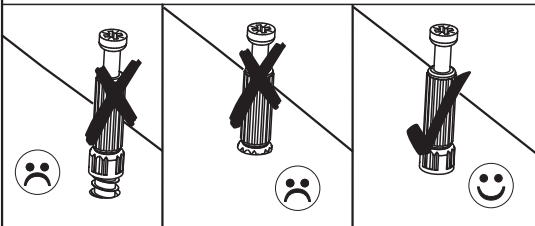
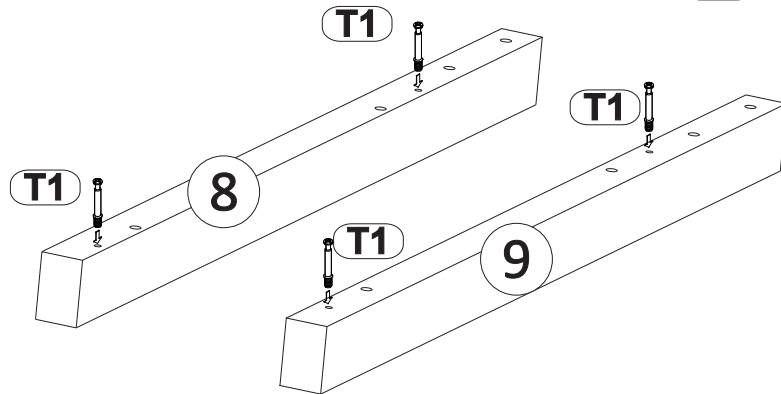
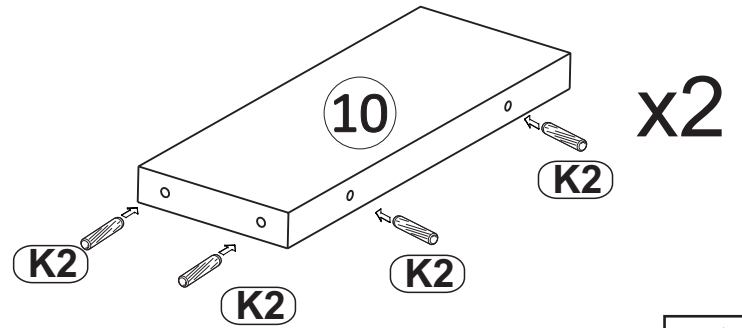
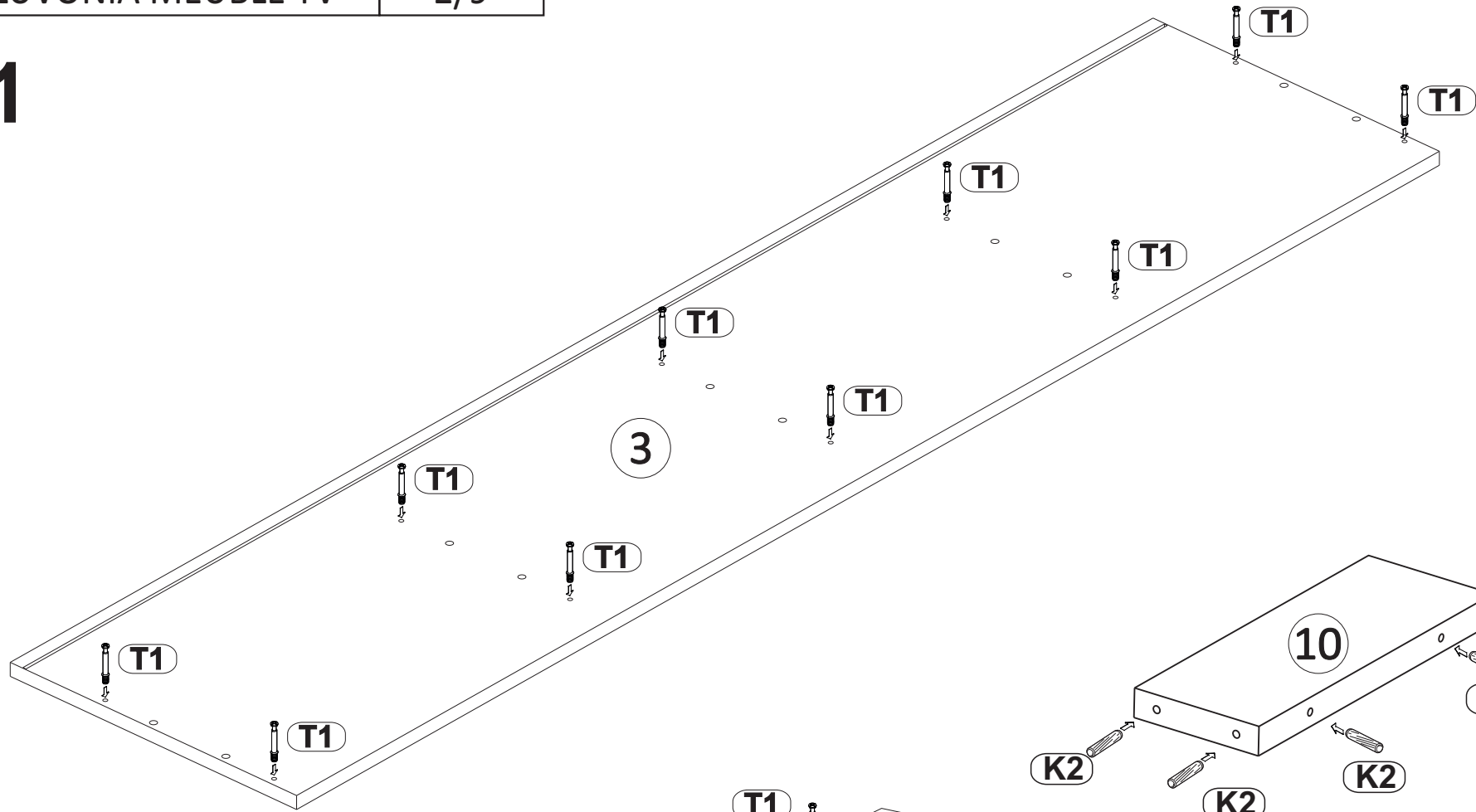


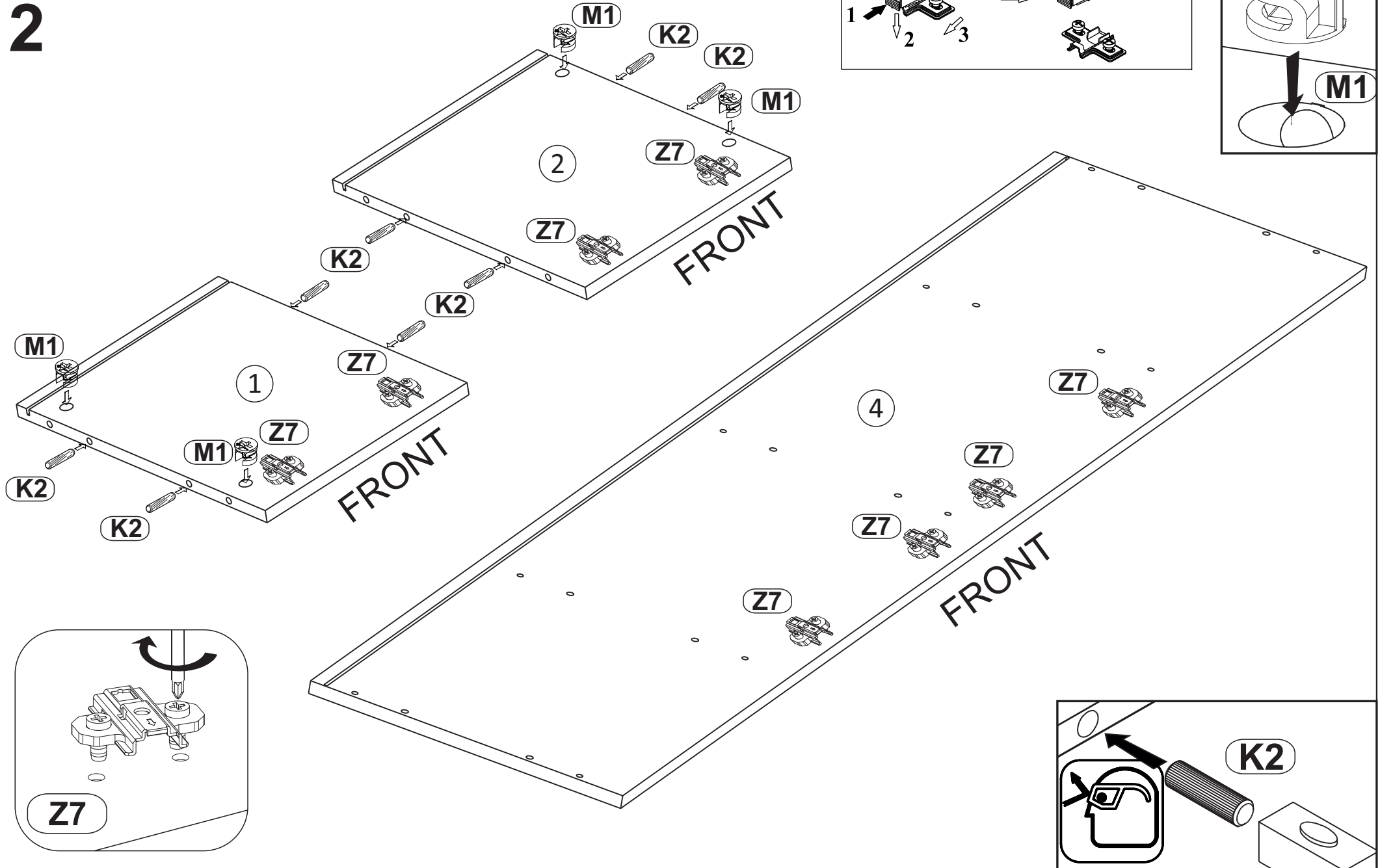
1	318	400	16	x	1	1/1
2	318	400	16	x	1	1/1
3	1800	400	16	x	1	1/1
4	1800	400	16	x	1	1/1
5	318	380	16	x	1	1/1
6	318	380	16	x	1	1/1
7	318	380	16	x	1	1/1
8	500	50	32	x	1	1/1
9	500	50	32	x	1	1/1
10	150	400	32	x	2	1/1
11	379	346	18	x	1	1/1
12	379	346	18	x	1	1/1
13	479	346	18	x	2	1/1
14	1780	332	3	x	1	1/1



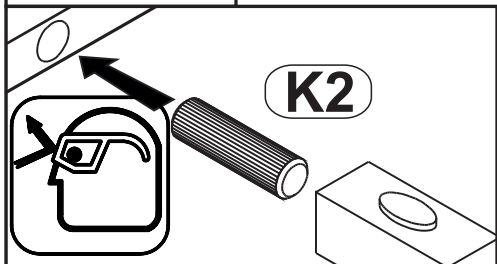
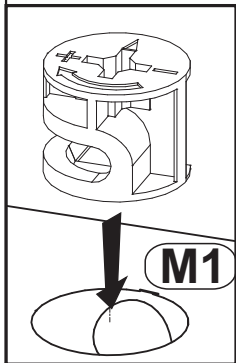
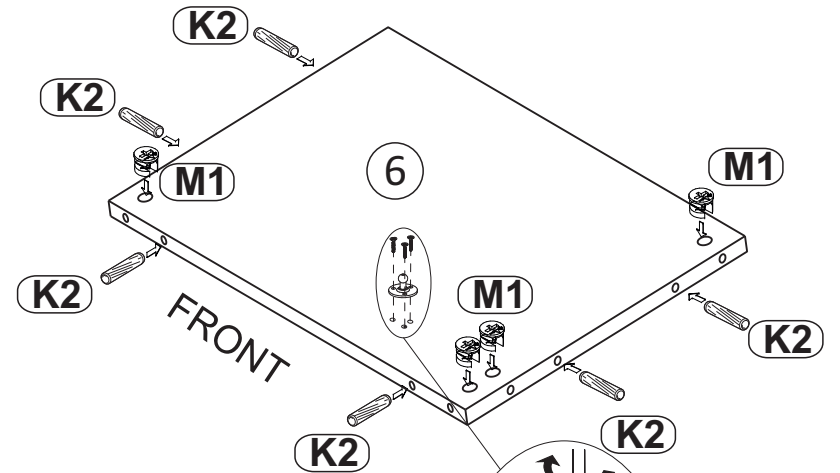
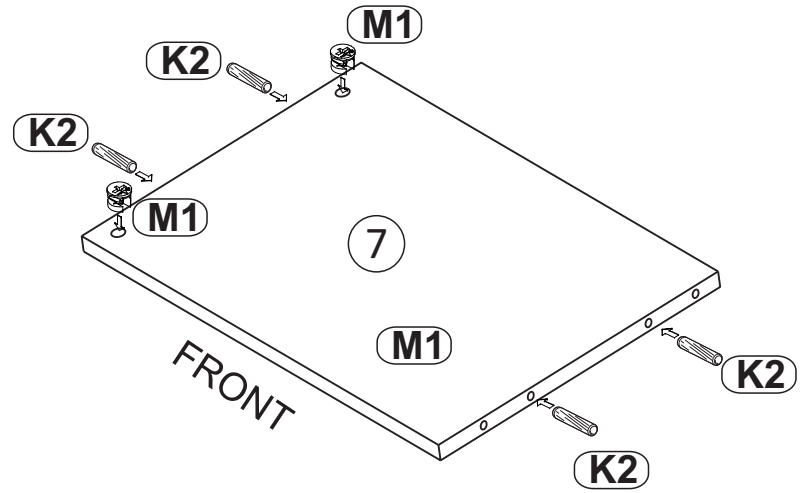
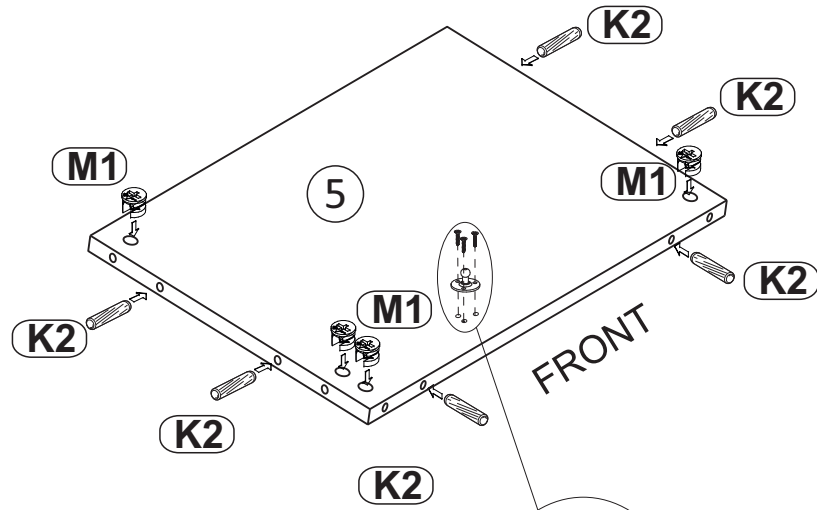
1



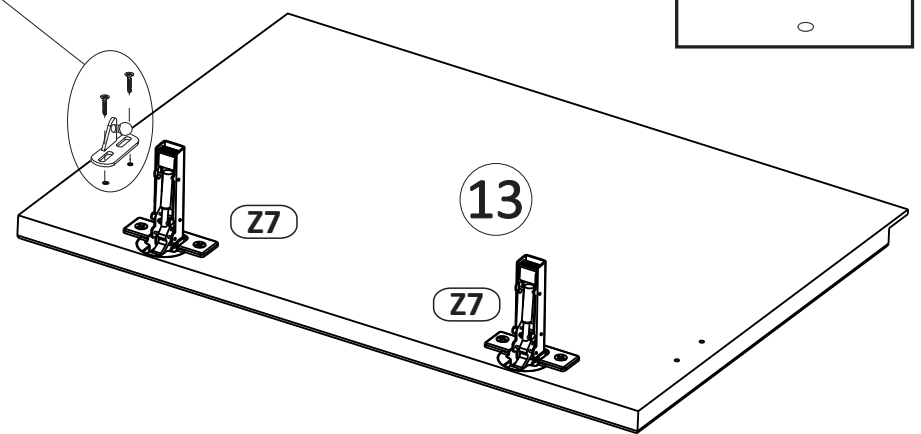
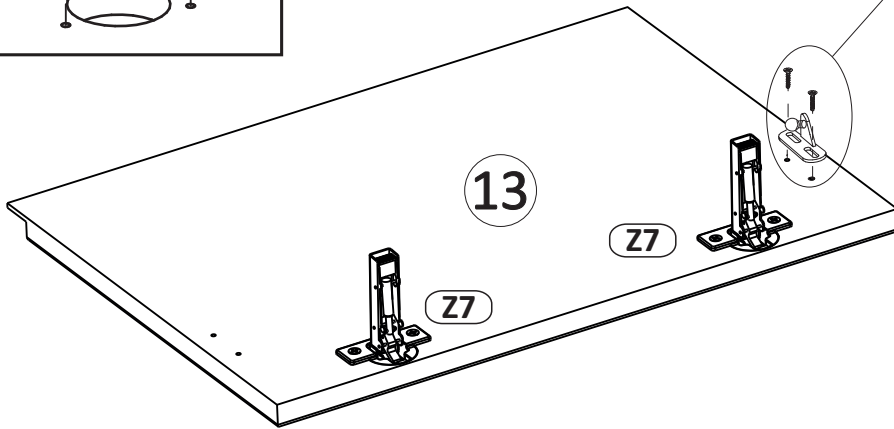
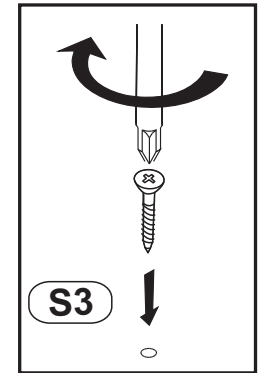
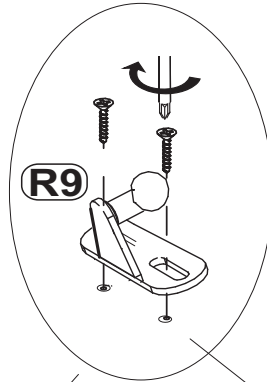
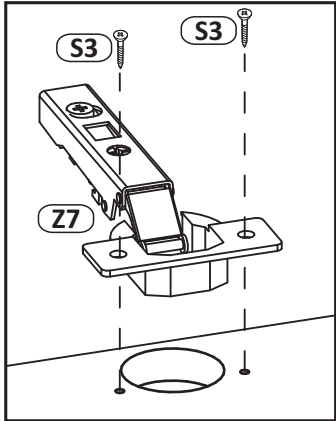
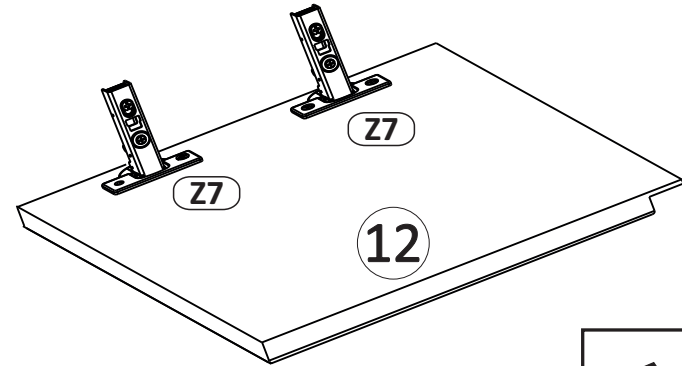
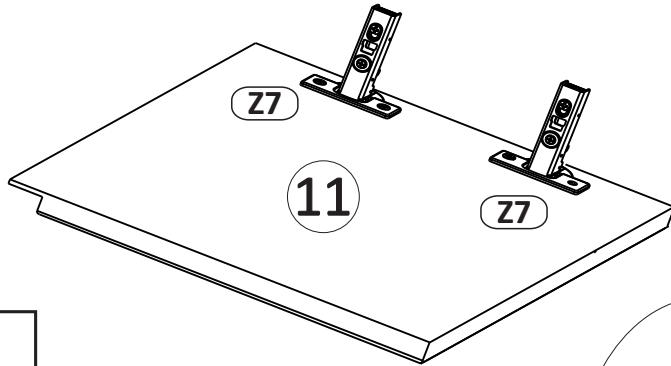
2



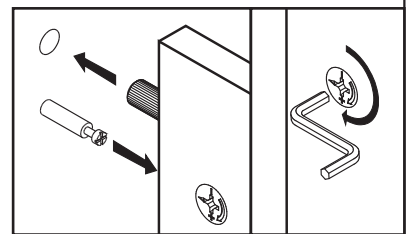
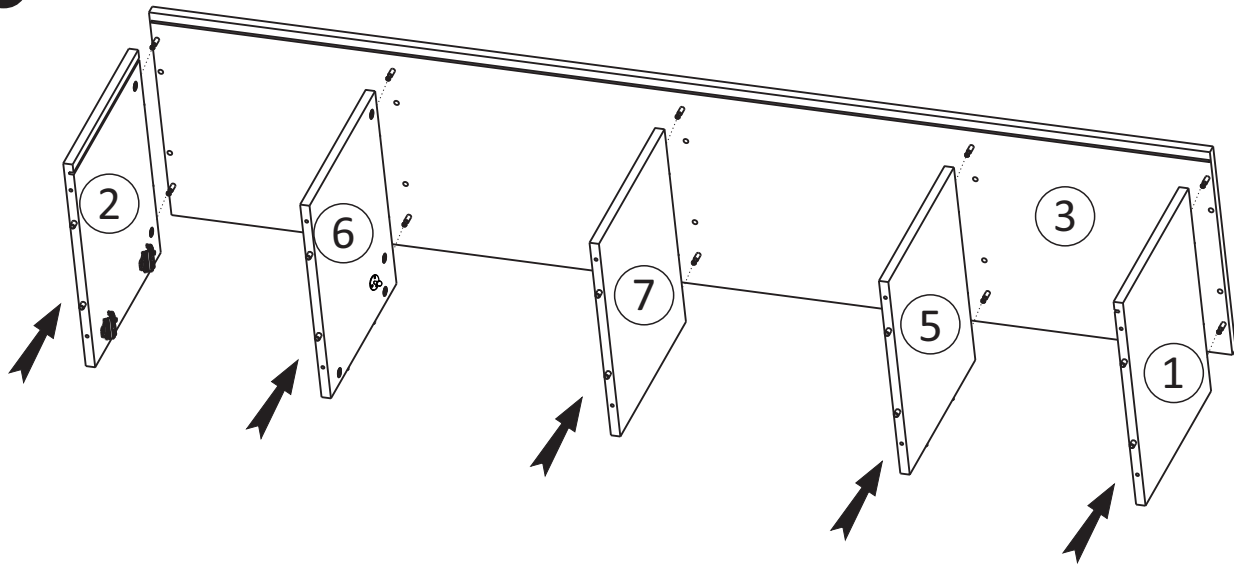
# 3



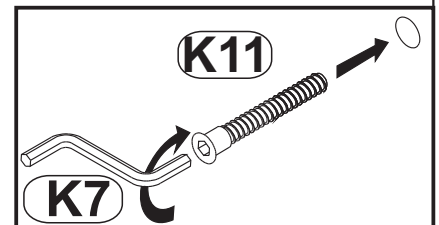
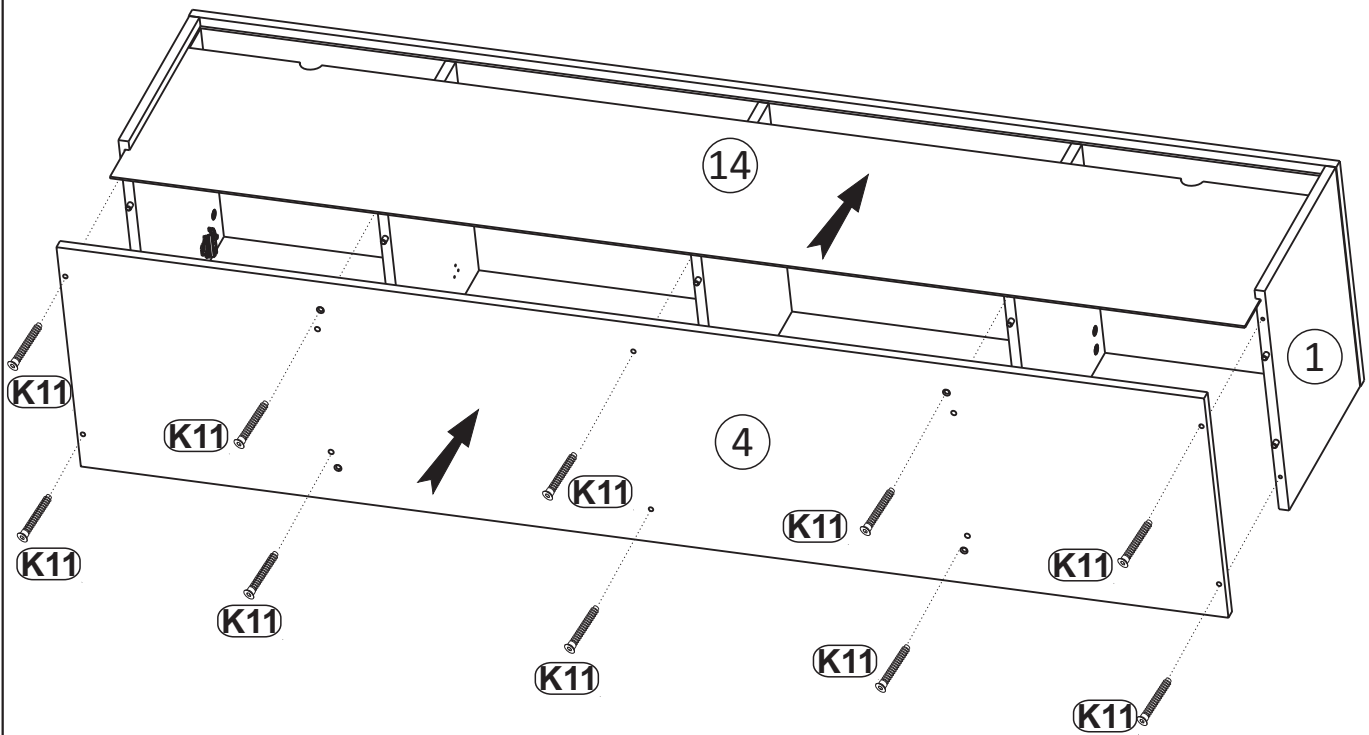
# 4



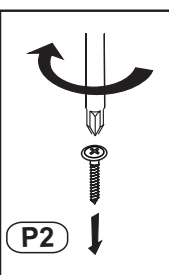
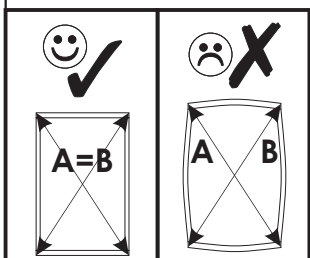
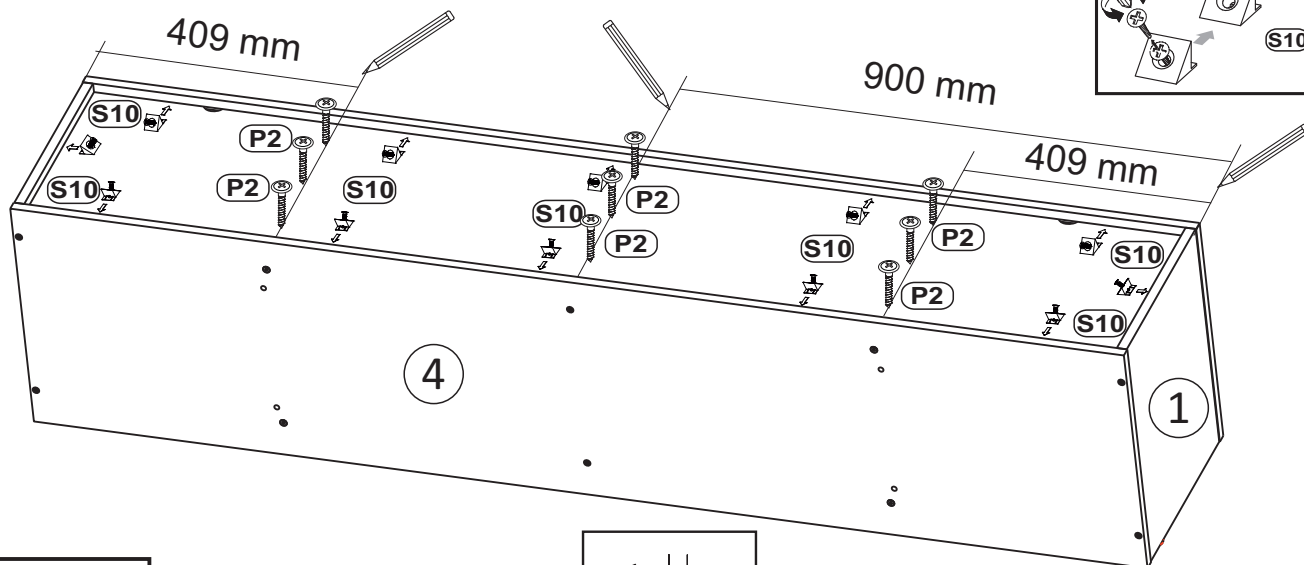
# 5



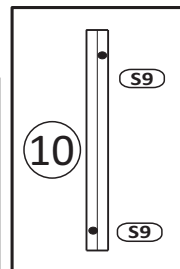
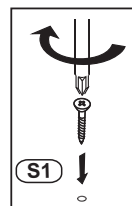
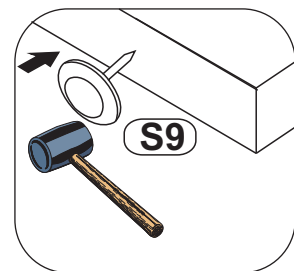
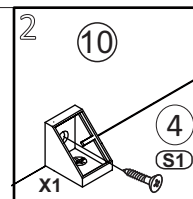
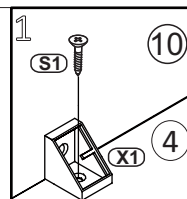
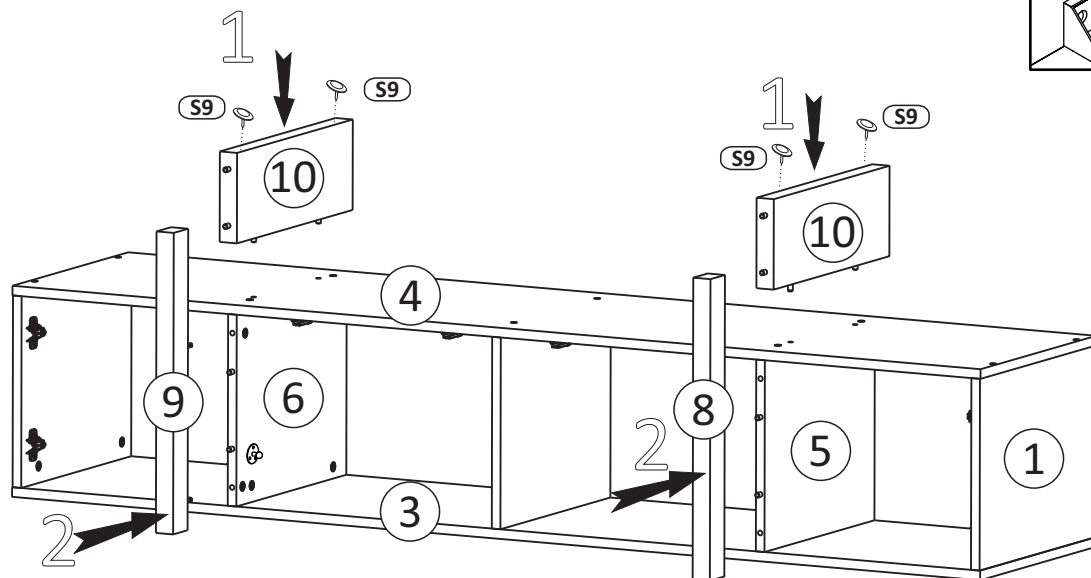
# 6



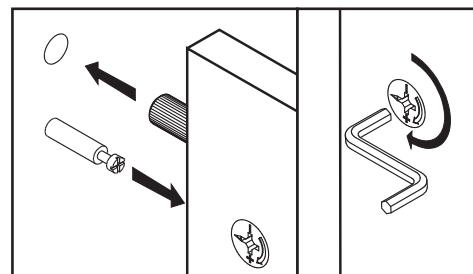
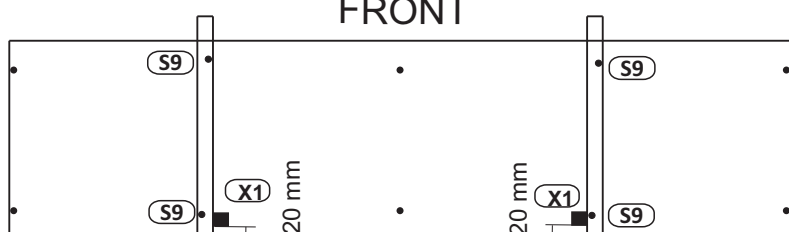
# 7



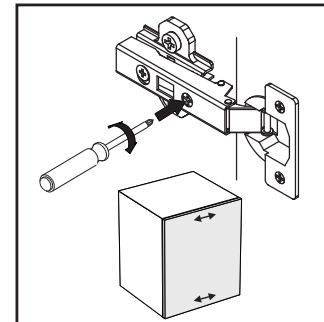
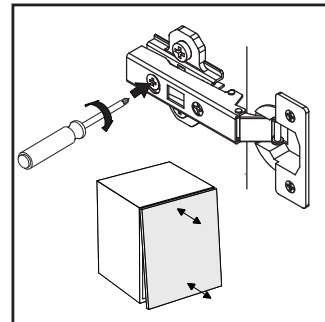
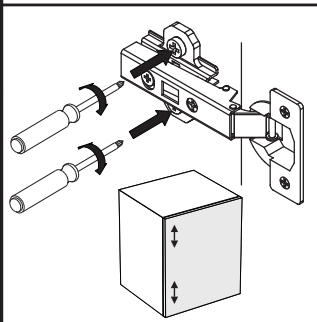
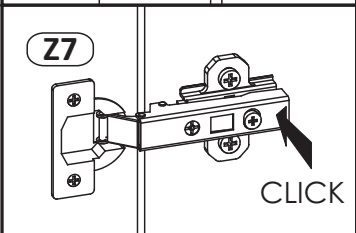
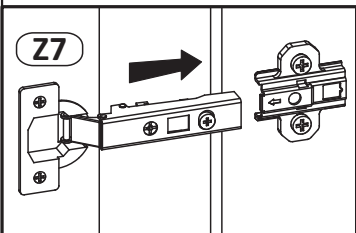
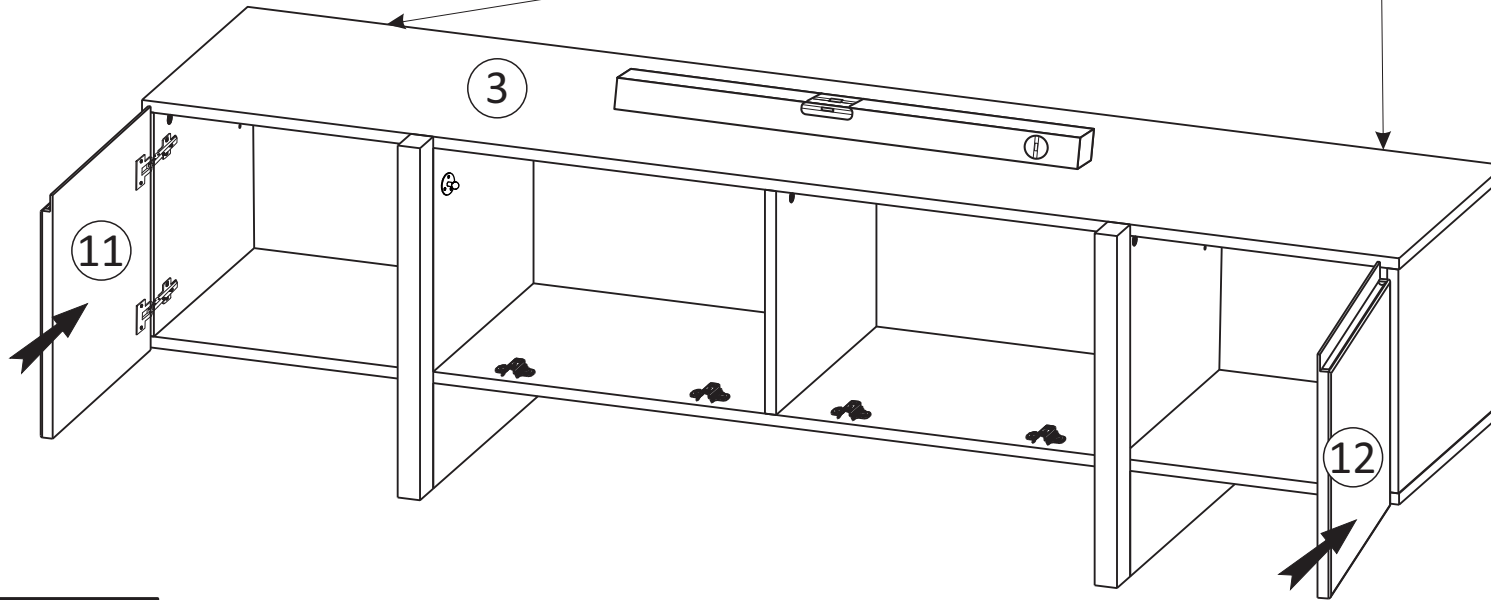
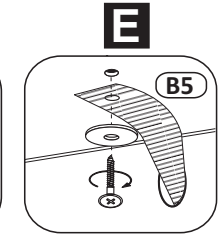
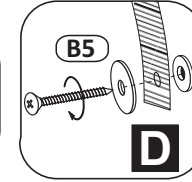
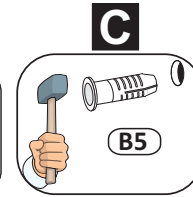
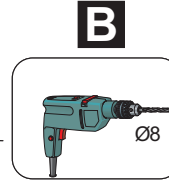
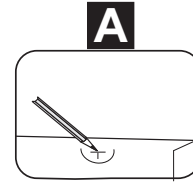
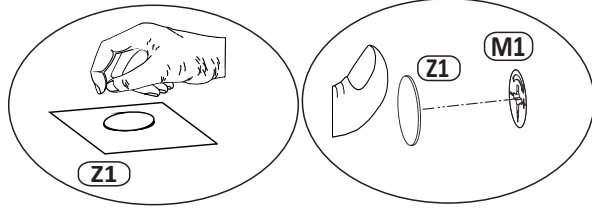
# 8



FRONT



9





# 10

