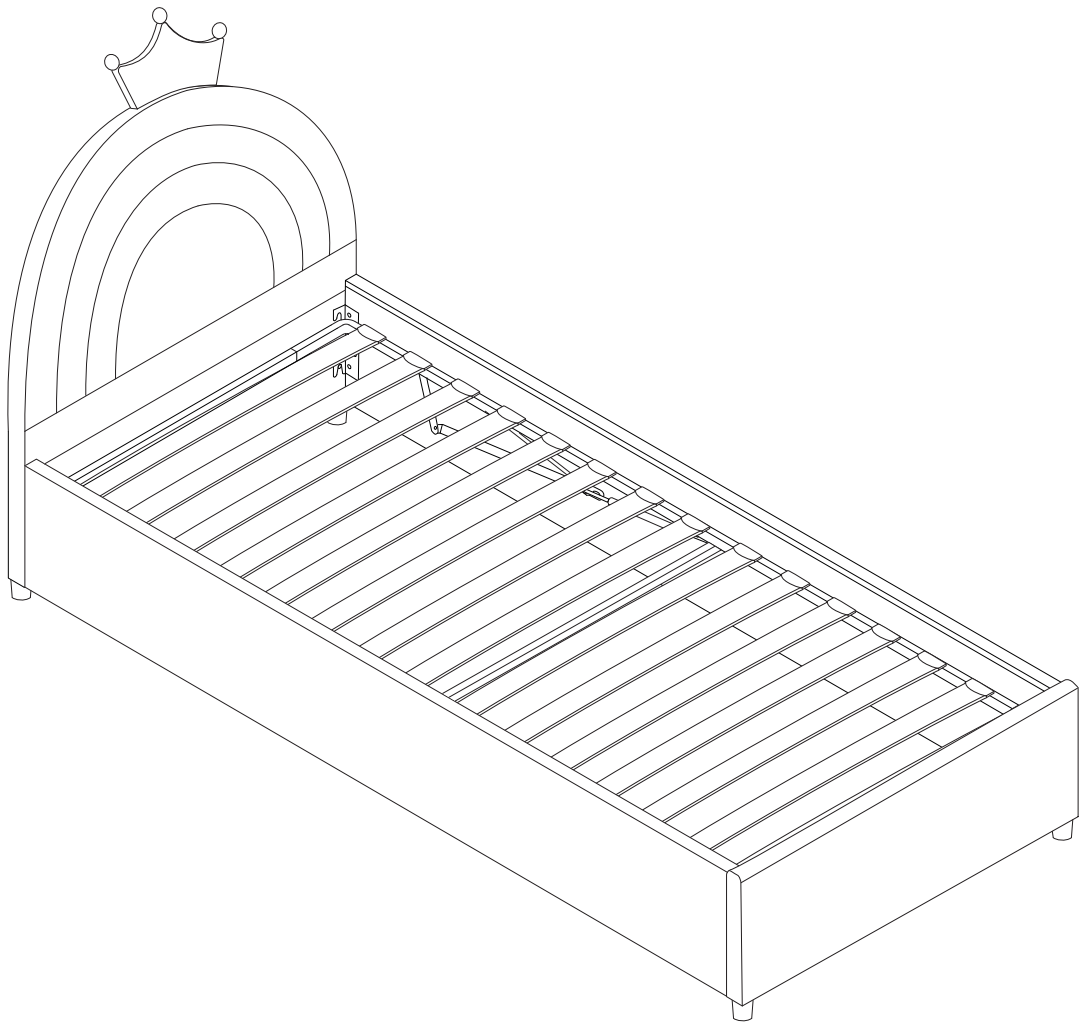
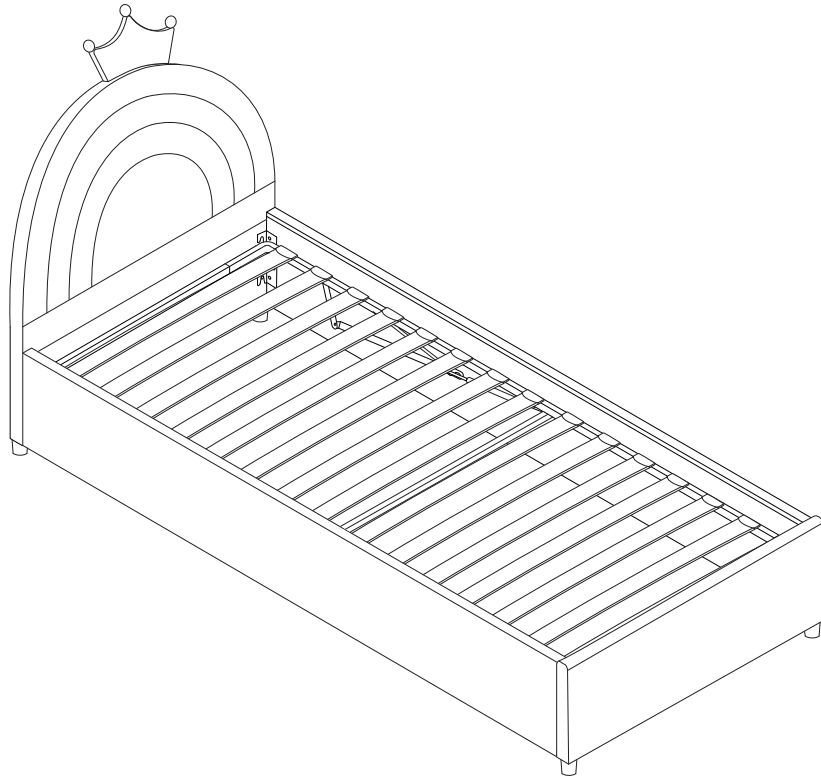
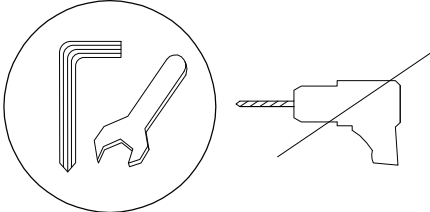

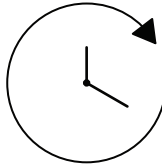
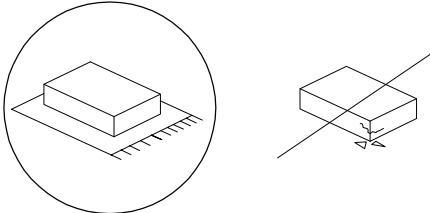


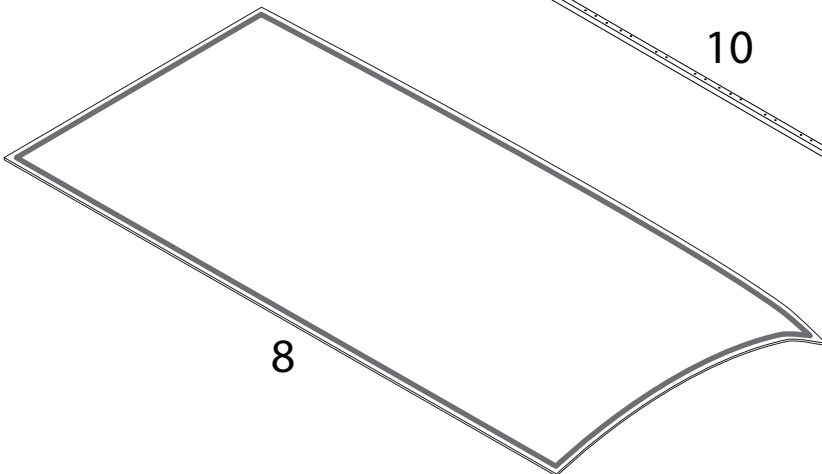
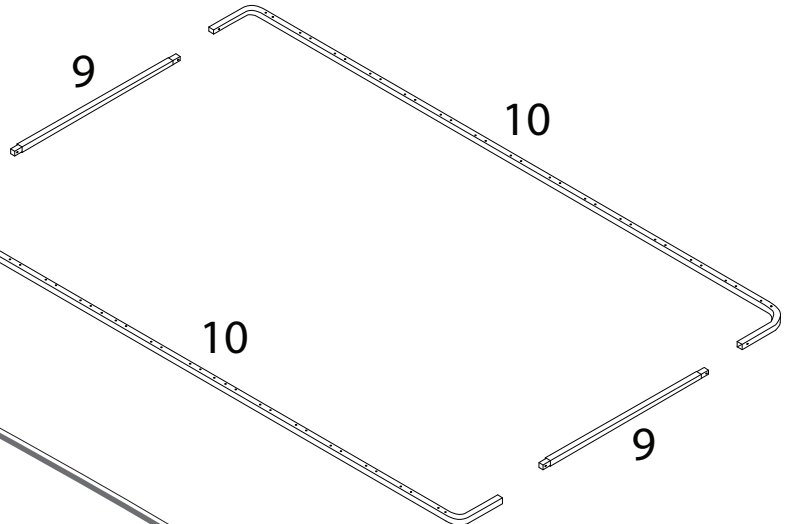
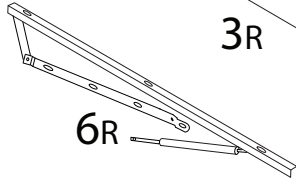
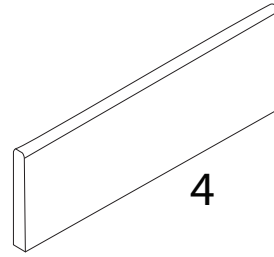
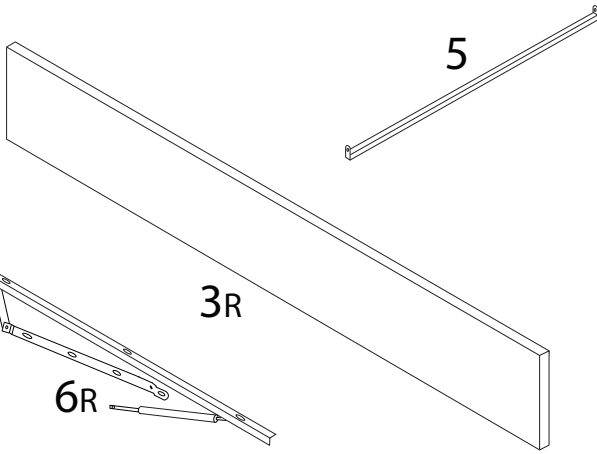
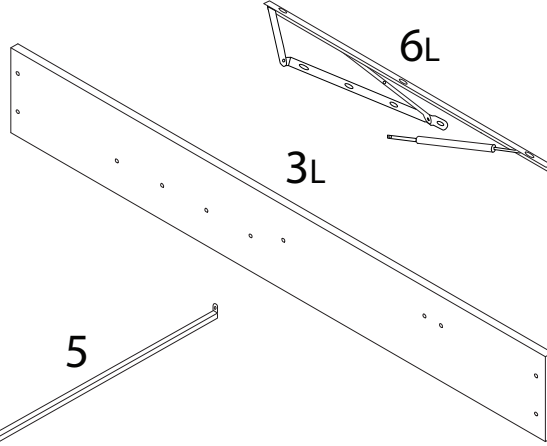
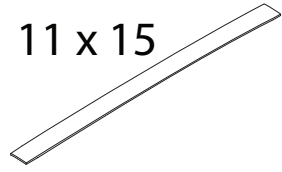
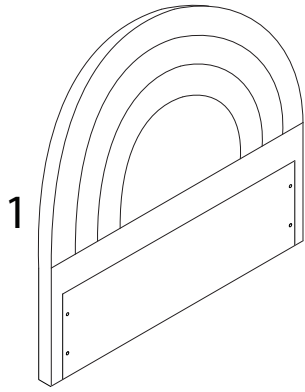


GRISSETOT

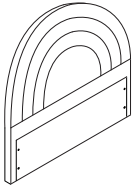




		
		<p>45'</p>
		
		<p>2</p>

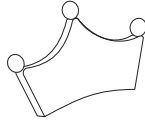


1



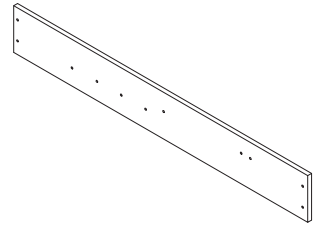
x 1

2



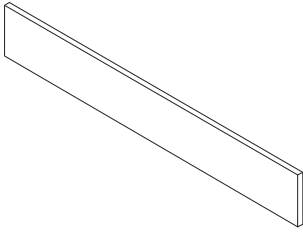
x 1

3L



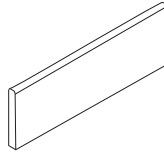
x 1

3R



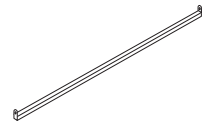
x 1

4



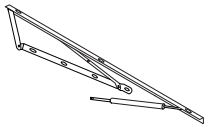
x 1

5



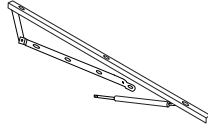
x 1

6L



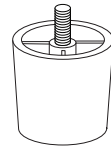
x 1

6R



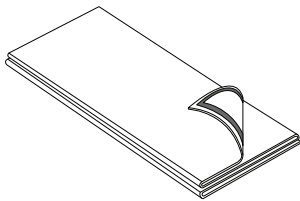
x 1

7



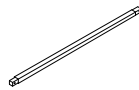
x 4

8



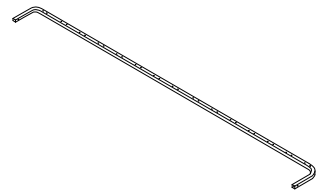
x 1

9



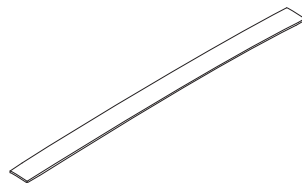
x 2

10



x 2

11



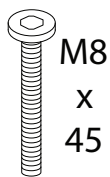
x 15

A



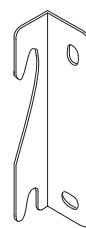
x 1

B



x 10

C



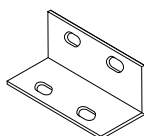
x 4

D



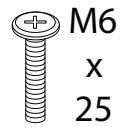
x 26

E



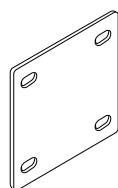
x 3

F



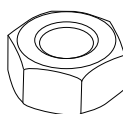
x 10

G



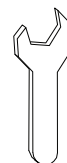
x 1

H



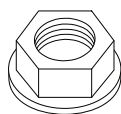
x 2

I



x 1

J



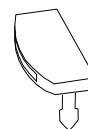
x 10

K



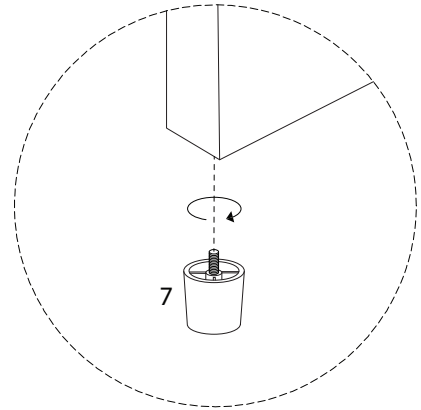
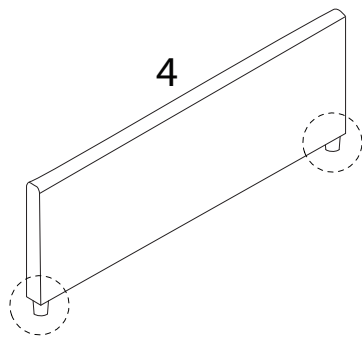
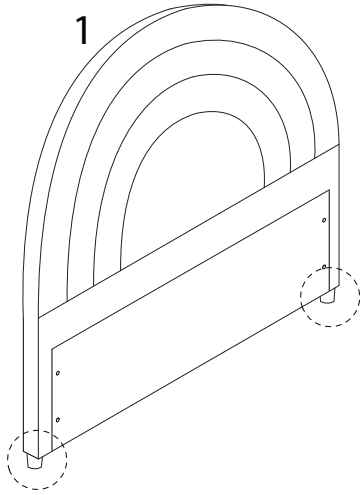
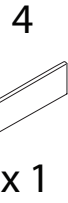
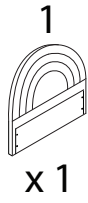
x 1

L

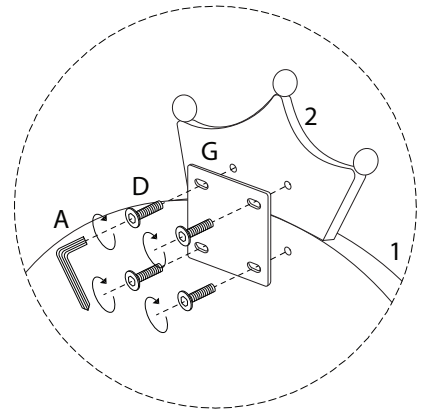
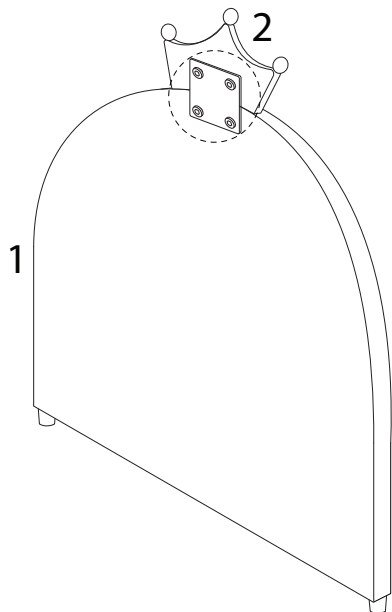
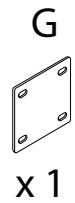
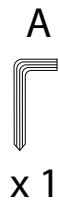
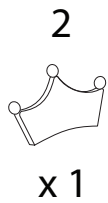


x 30

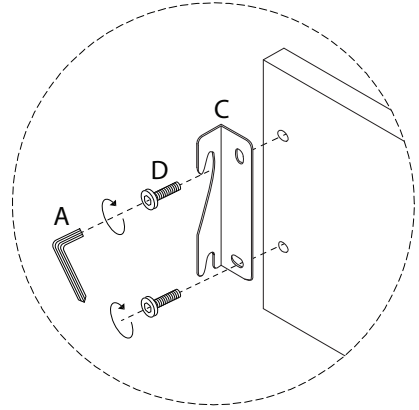
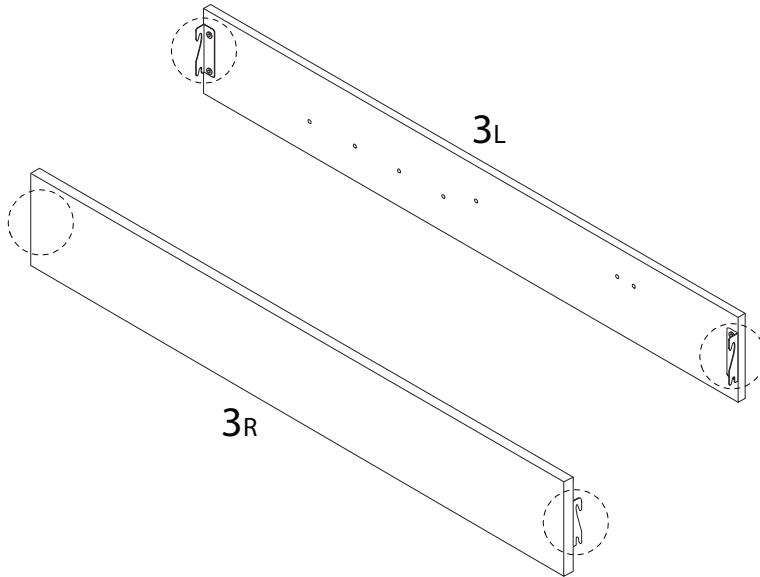
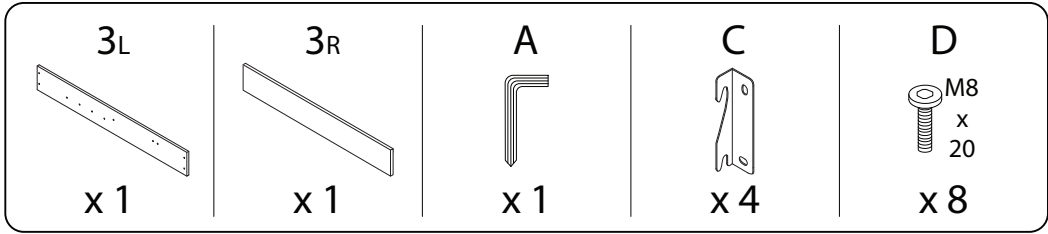
1



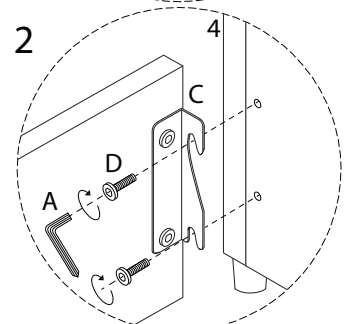
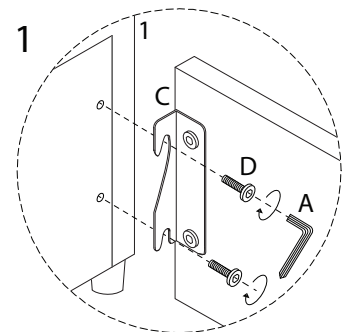
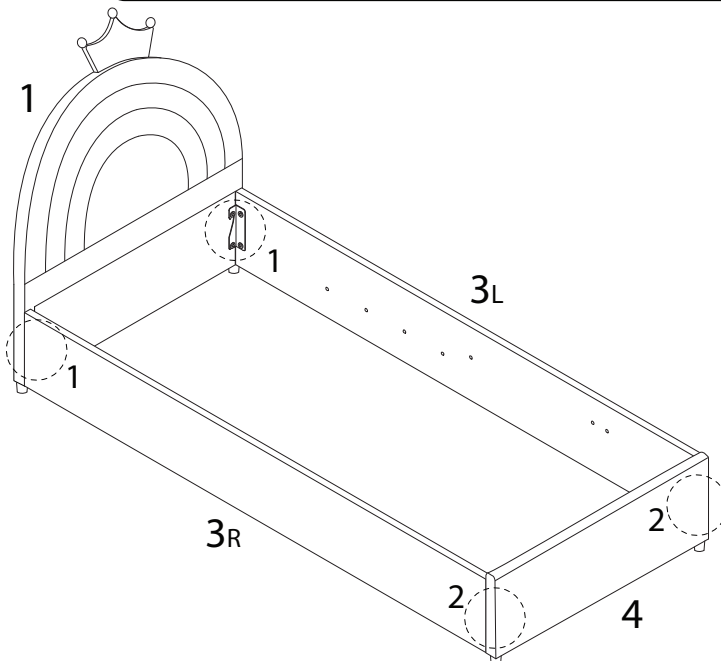
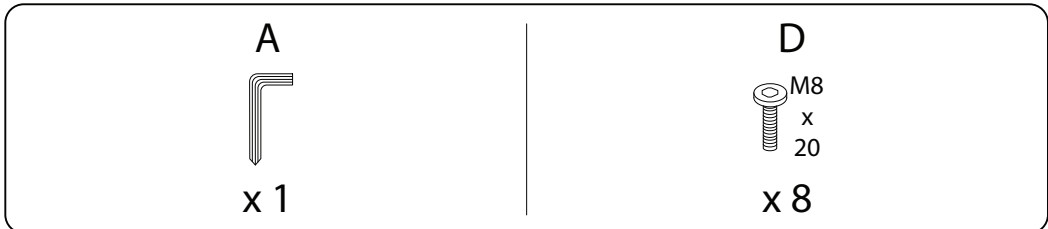
2



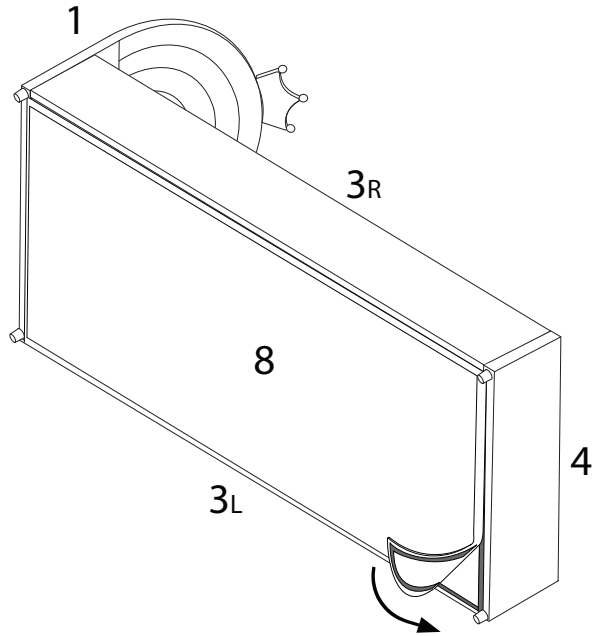
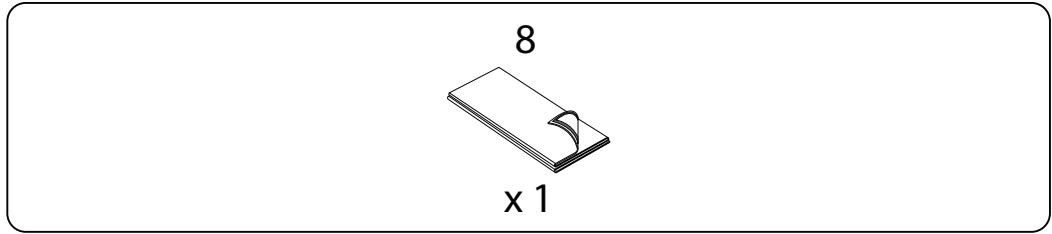
3



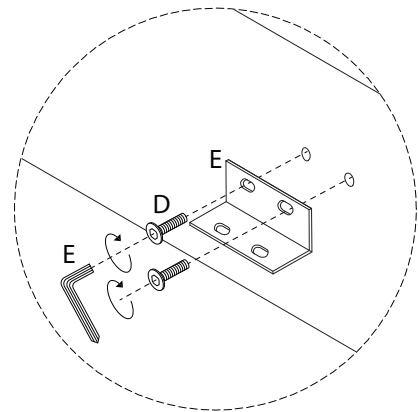
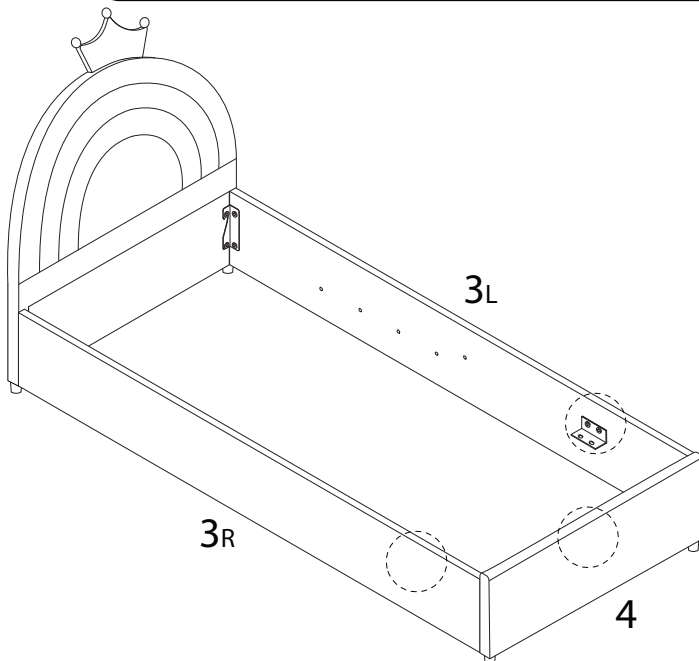
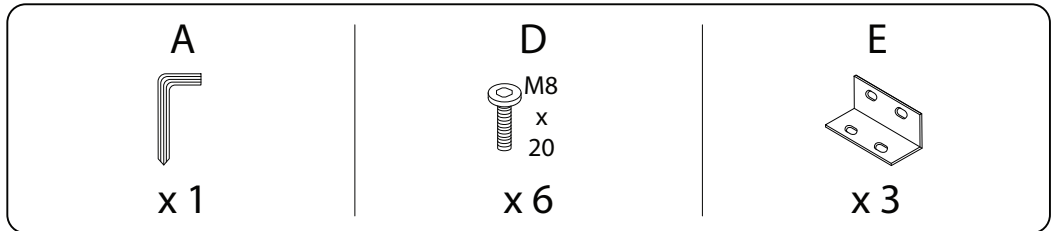
4



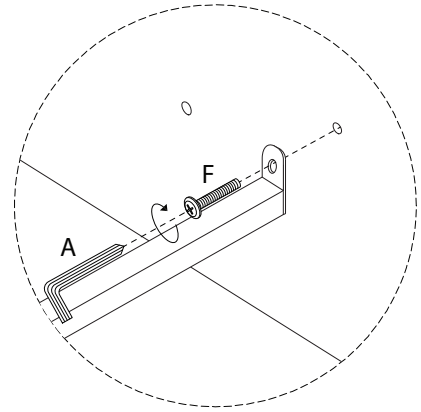
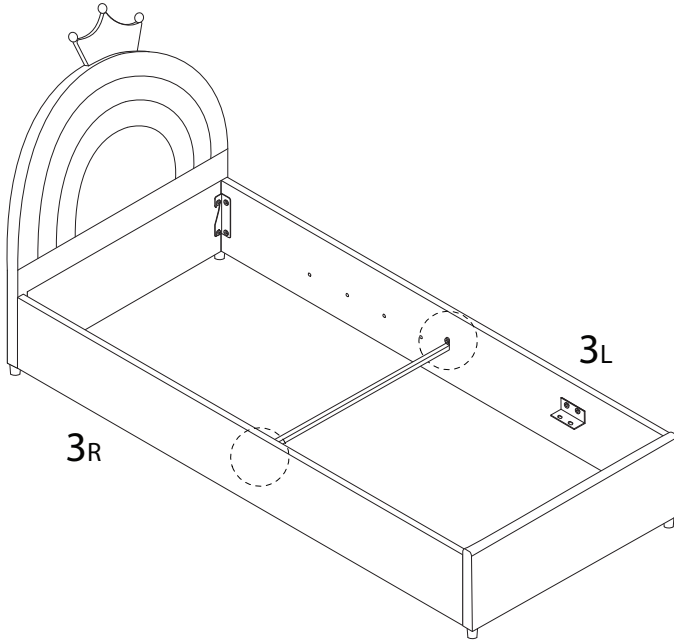
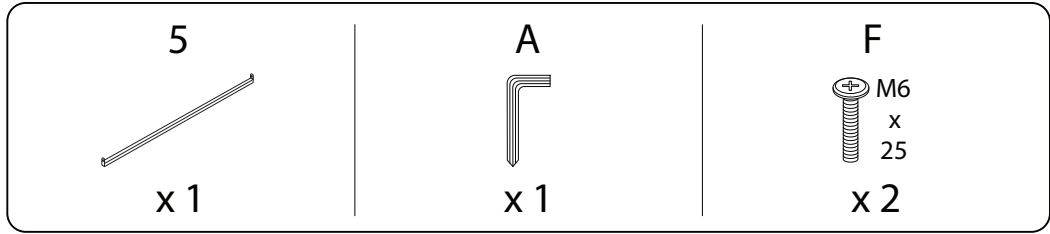
5



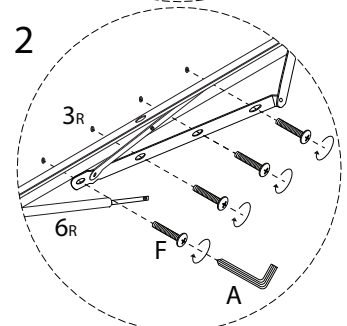
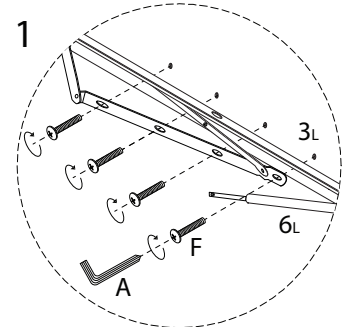
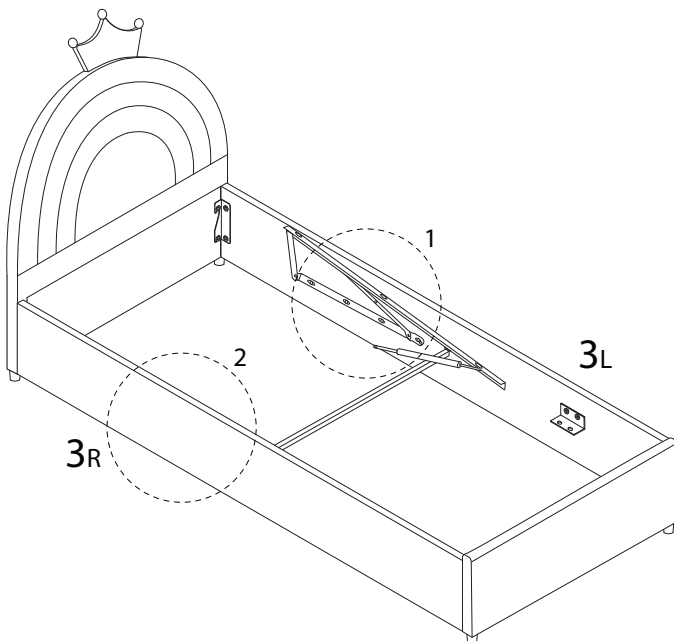
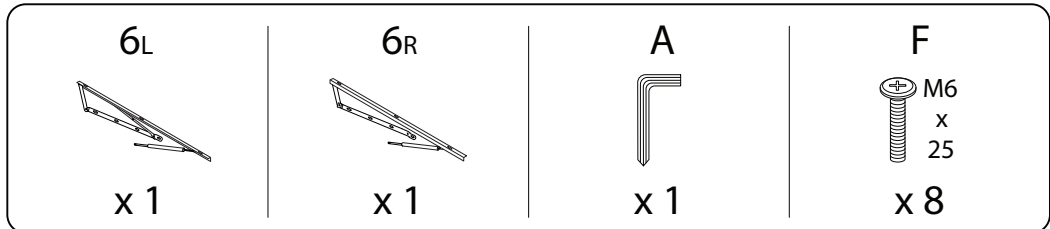
6



7



8



9

H

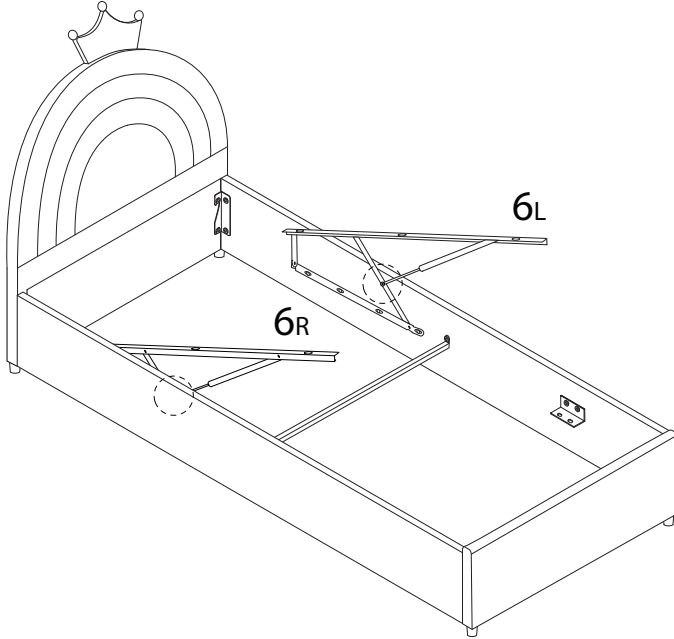


x 2

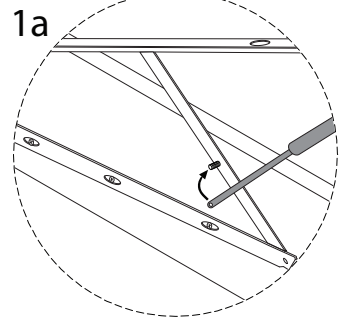
I



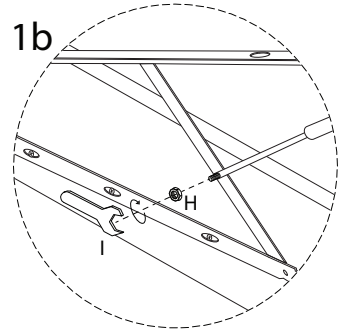
x 1



1a



1b



10

9



x 2

10



x 2

A



x 1

B



x 4

I

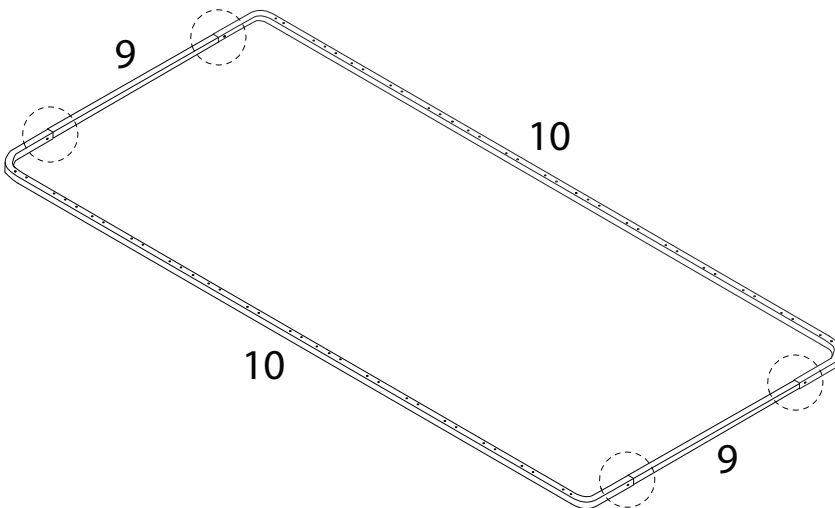


x 1

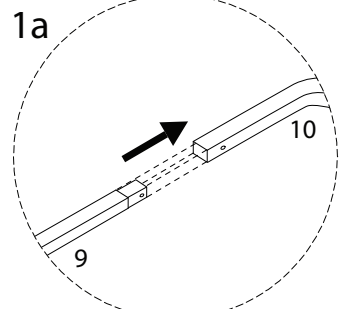
J



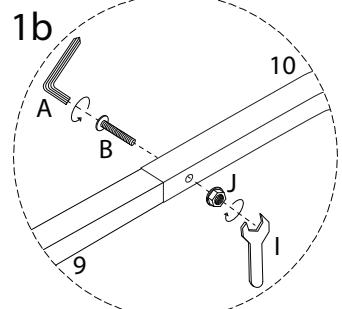
x 4





1a

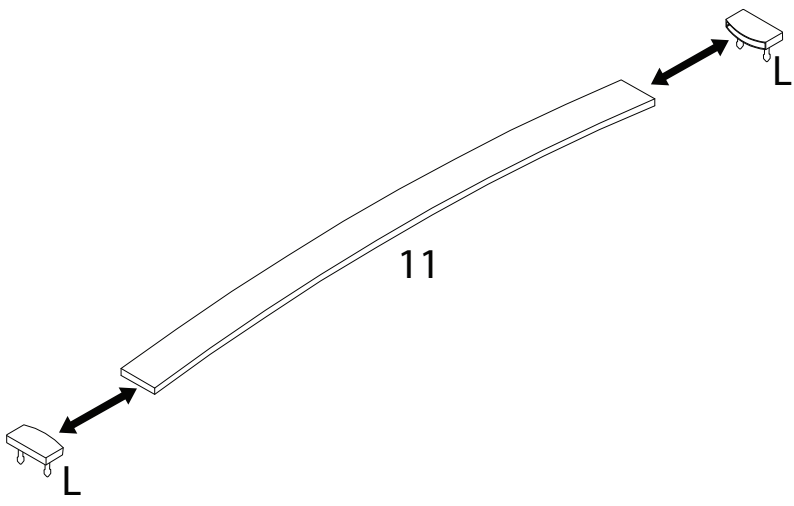


1b

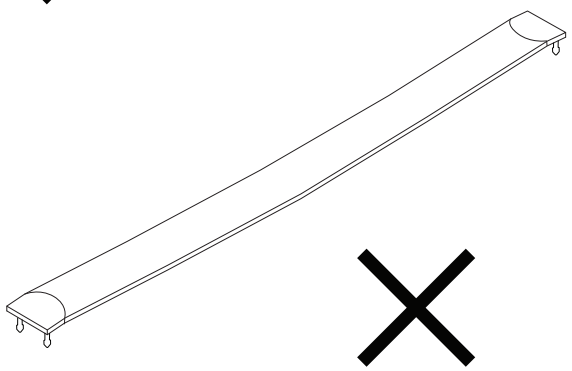
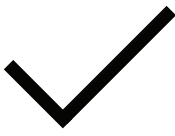
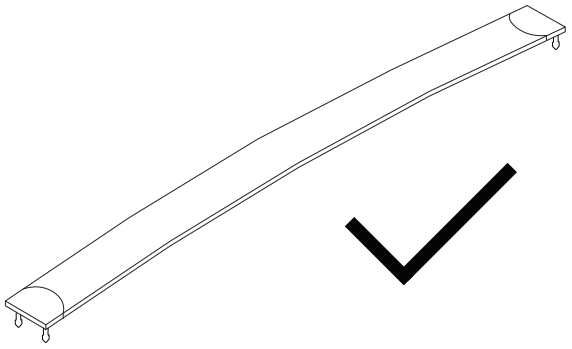


11 x 15

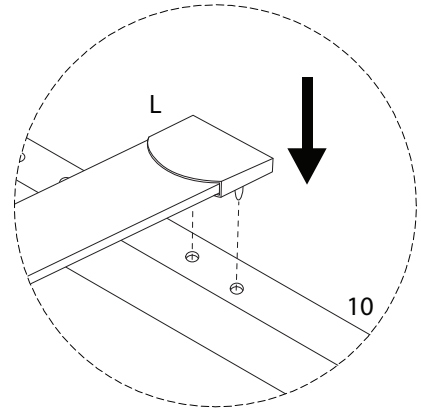
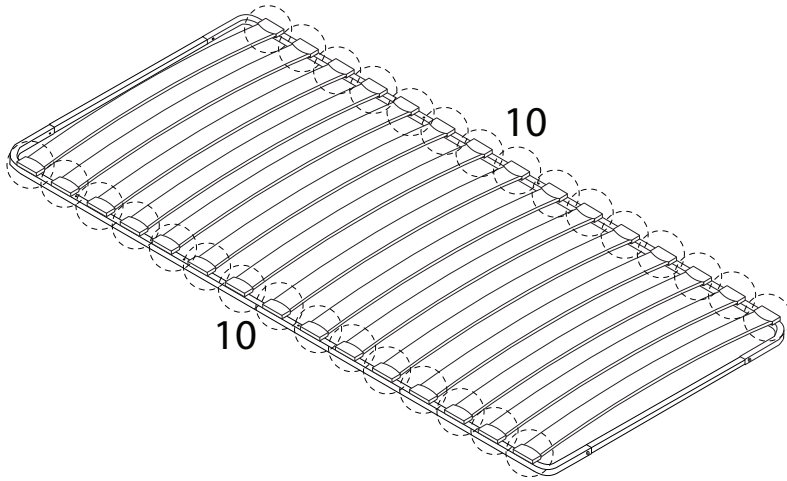
11  x 1	L  x 2
--	---



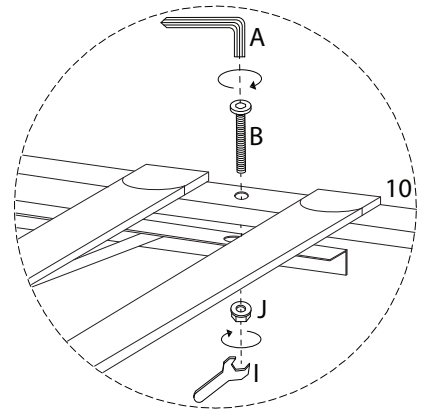
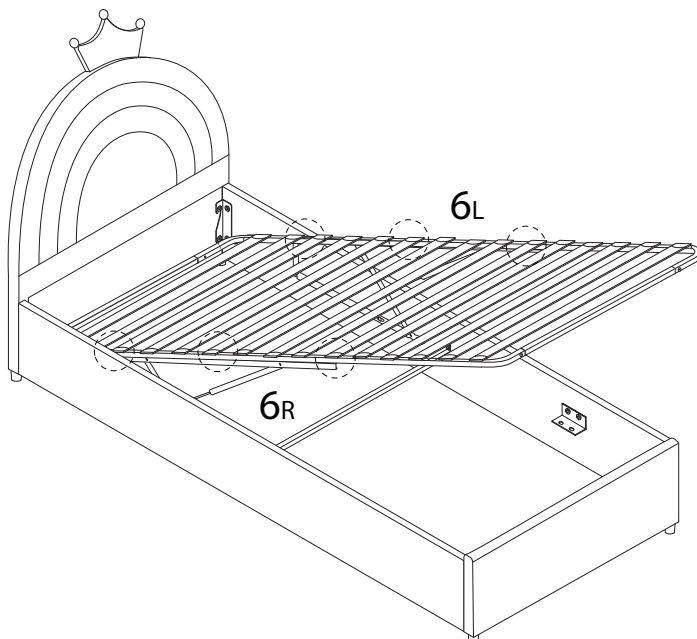
!



12



13



14

K



x 1

