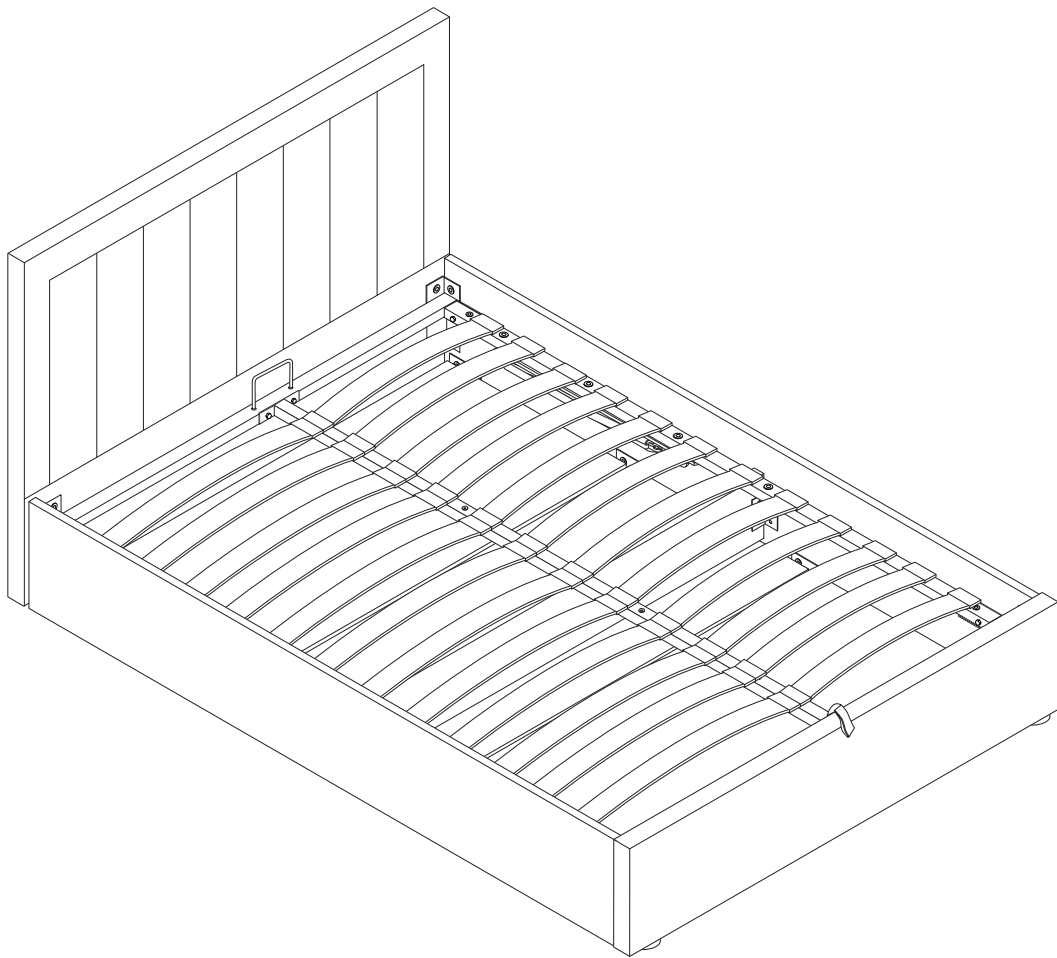
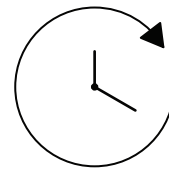
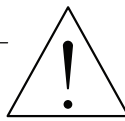
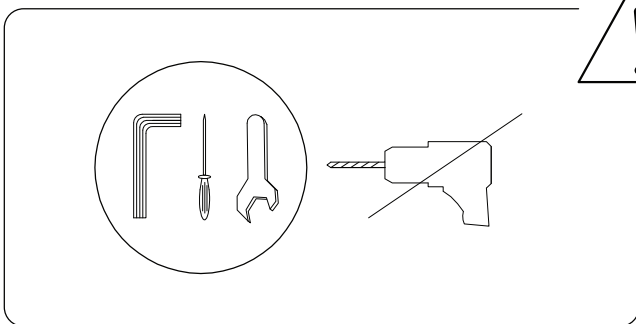
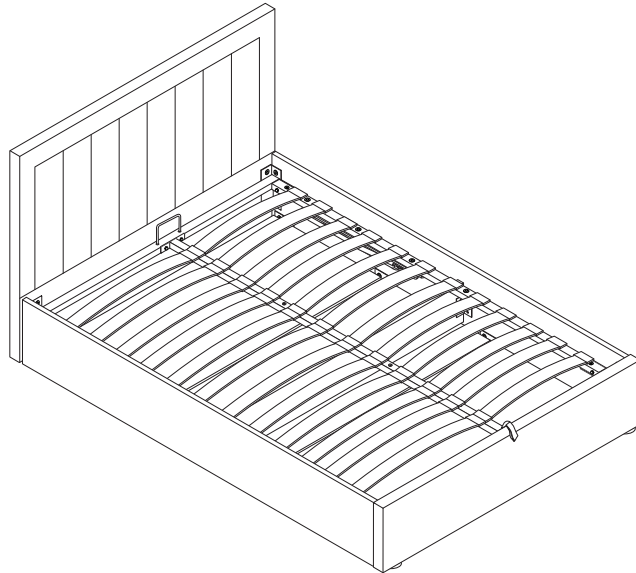
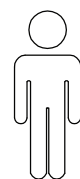
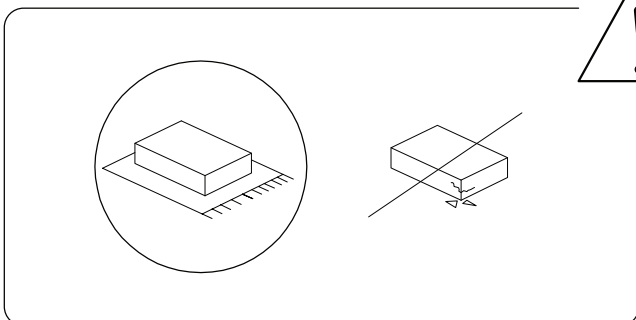


# MONTLAUR

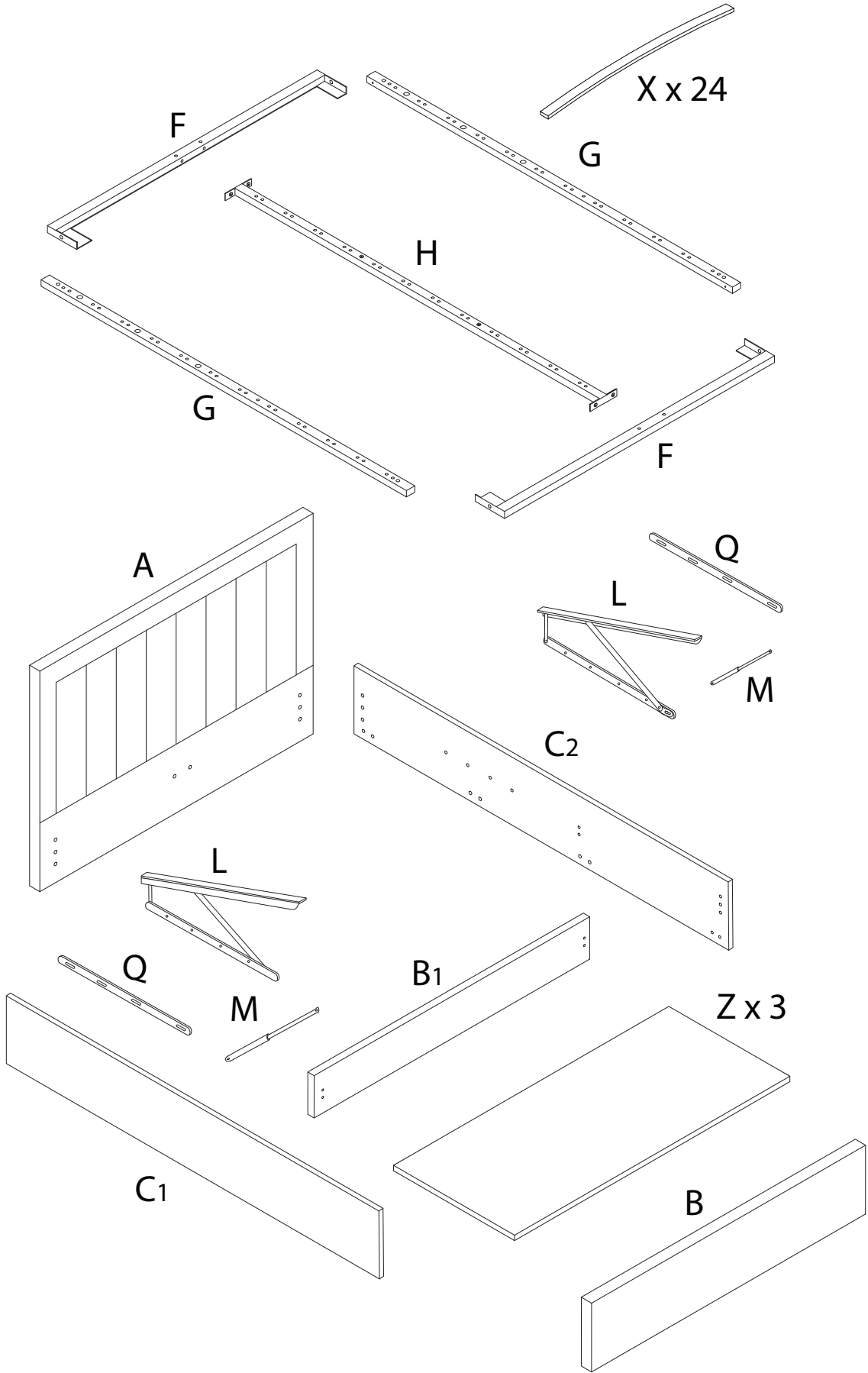




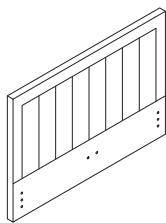
45'



2

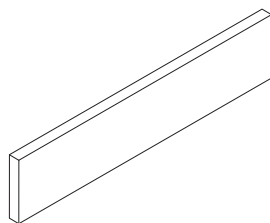


A



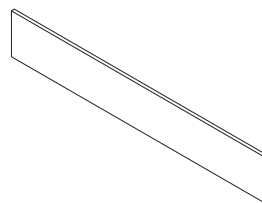
x 1

B



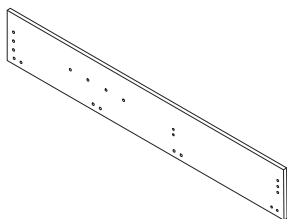
x 1

C1



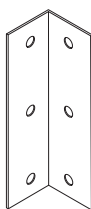
x 1

C2



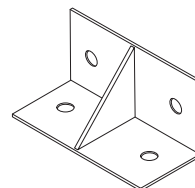
x 1

D



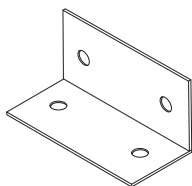
x 4

E1



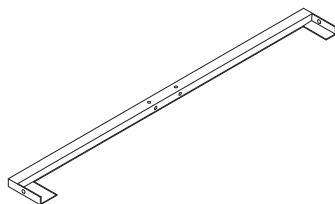
x 2

E2



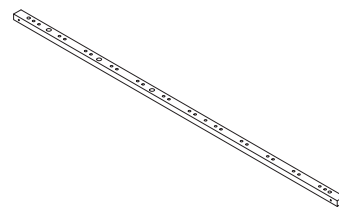
x 10

F



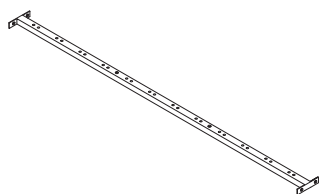
x 2

G



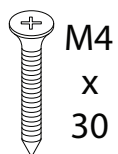
x 2

H



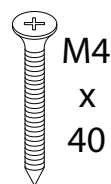
x 1

I



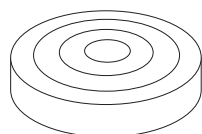
x 3

J



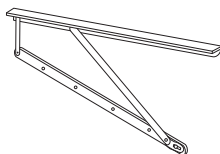
x 4

K



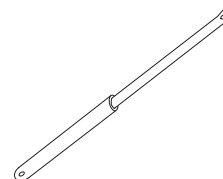
x 7

L



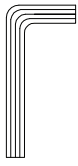
x 2

M



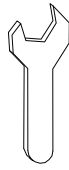
x 2

N



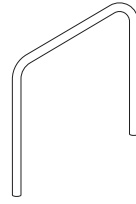
x 2

O



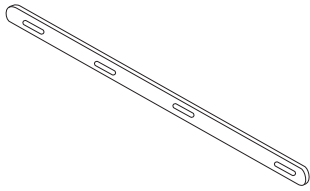
x 2

P



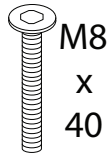
x 1

Q



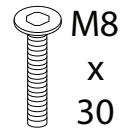
x 2

R



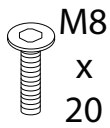
x 20

S



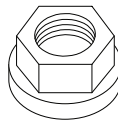
x 20

T



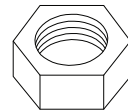
x 40

U



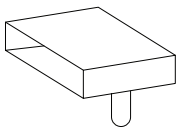
x 20

V



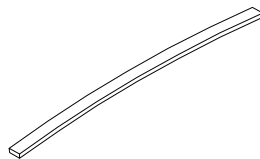
x 4

W



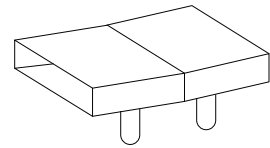
x 24

X



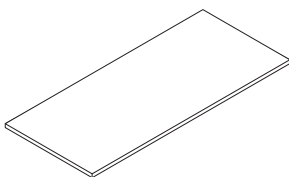
x 24

Y



x 12

Z



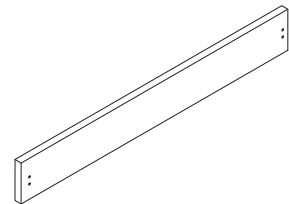
x 3

A1



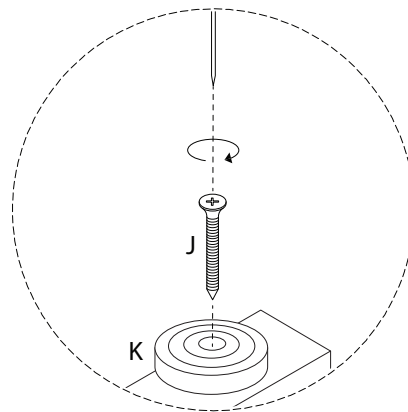
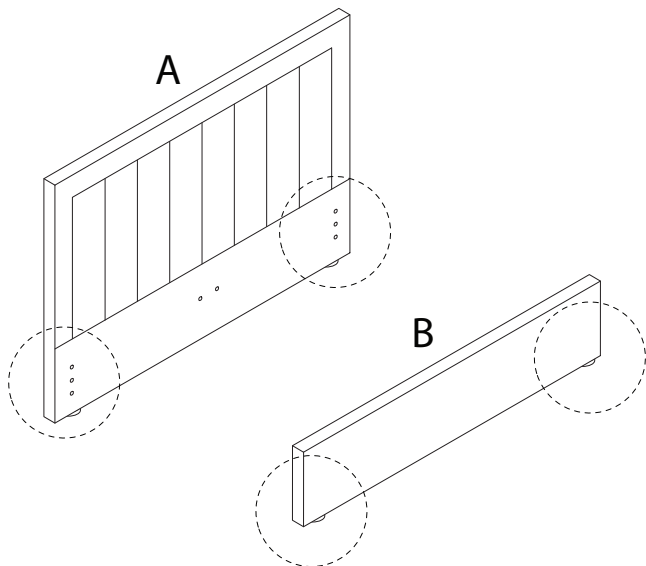
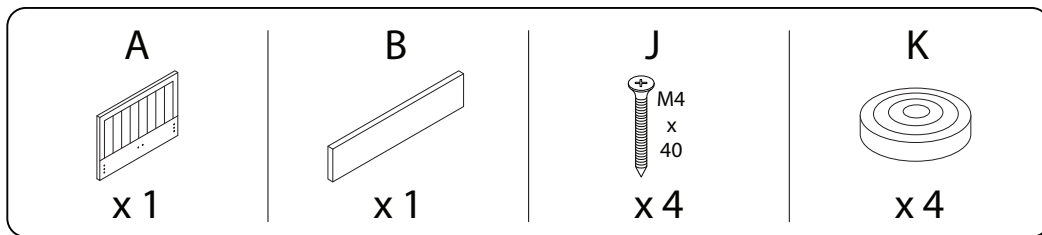
x 1

B1

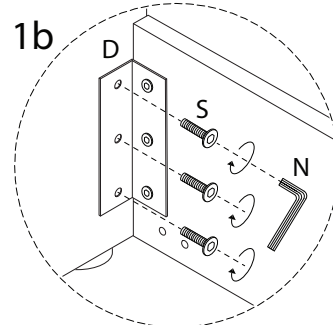
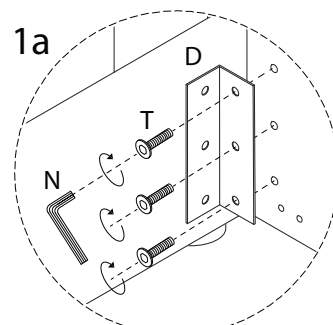
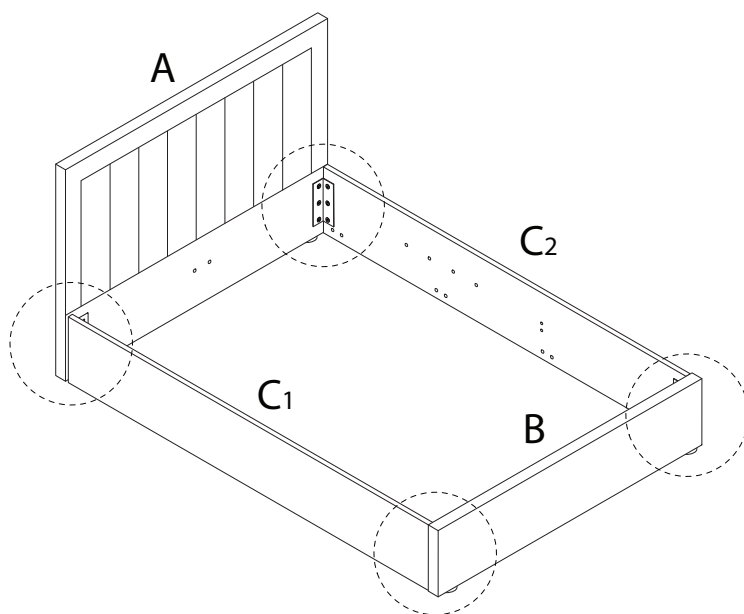
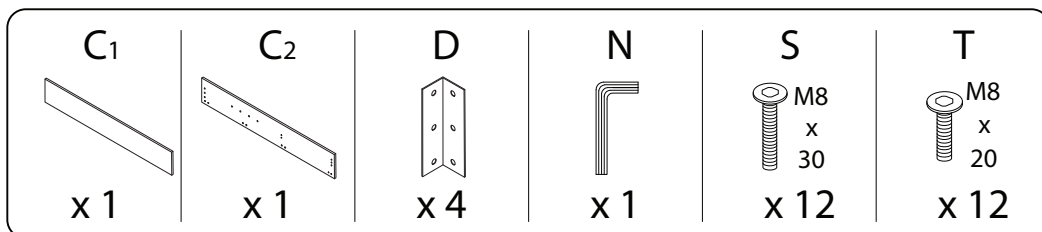


x 1

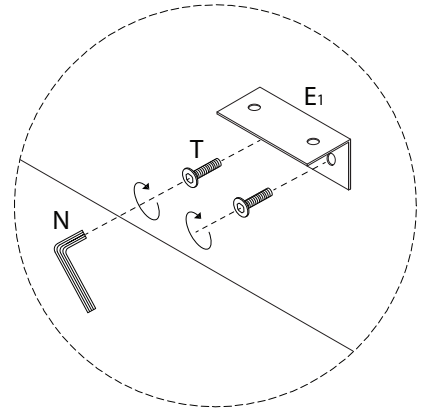
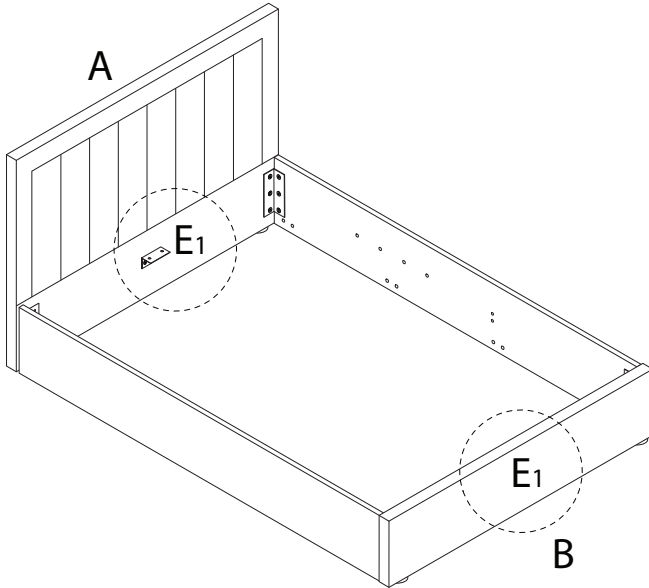
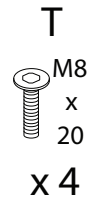
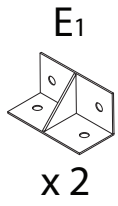
1



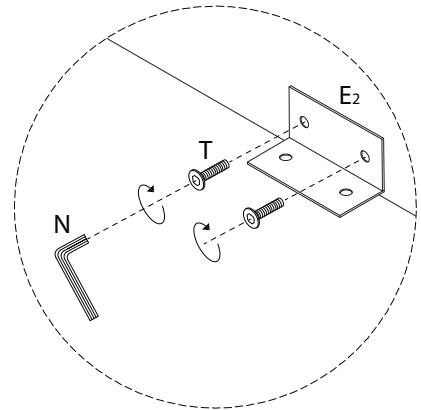
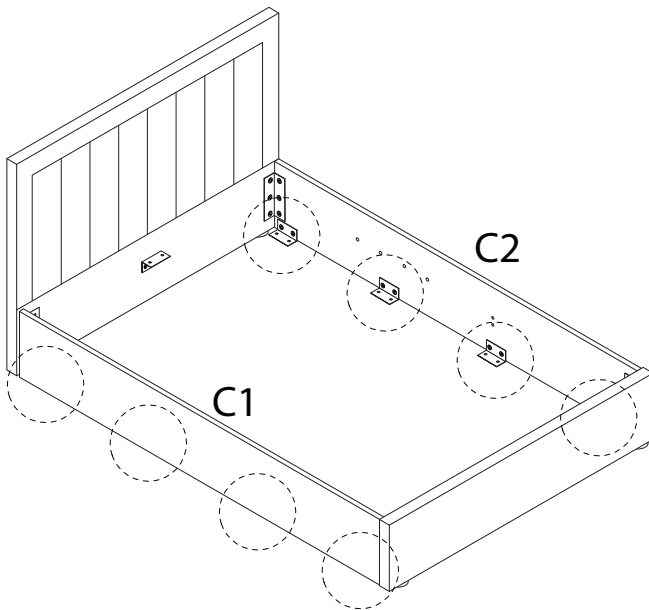
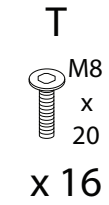
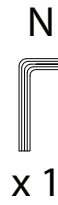
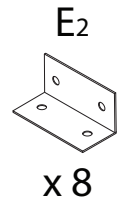
2



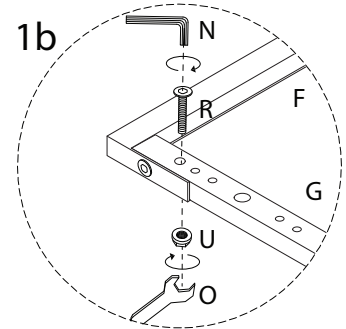
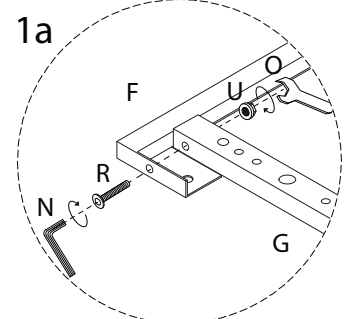
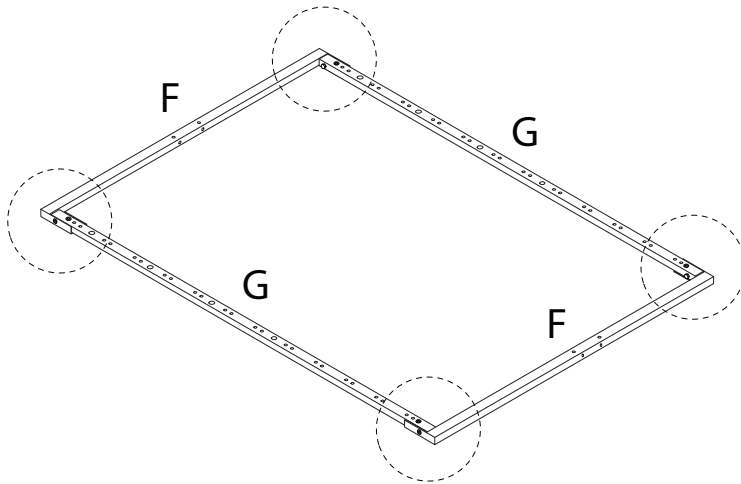
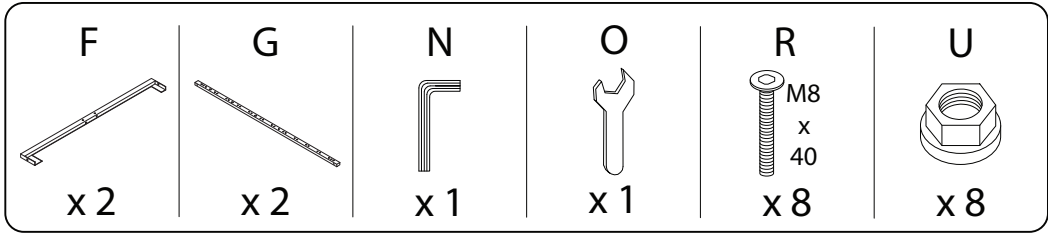
3



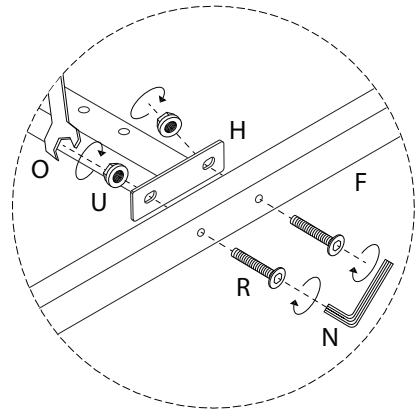
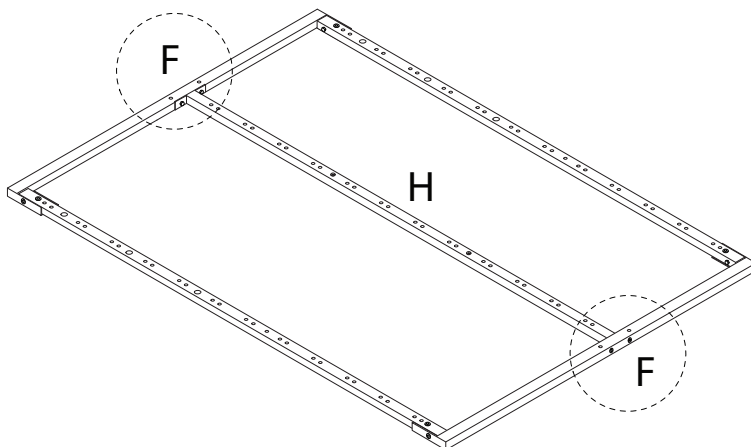
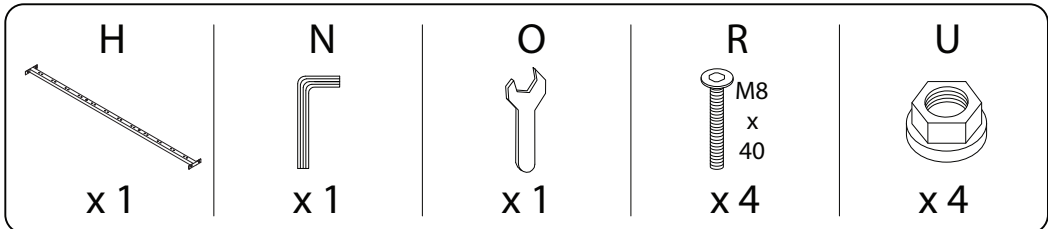
4



5

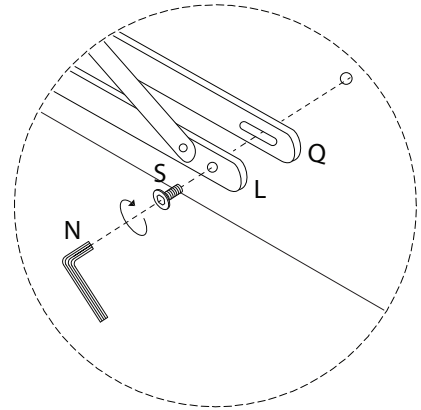
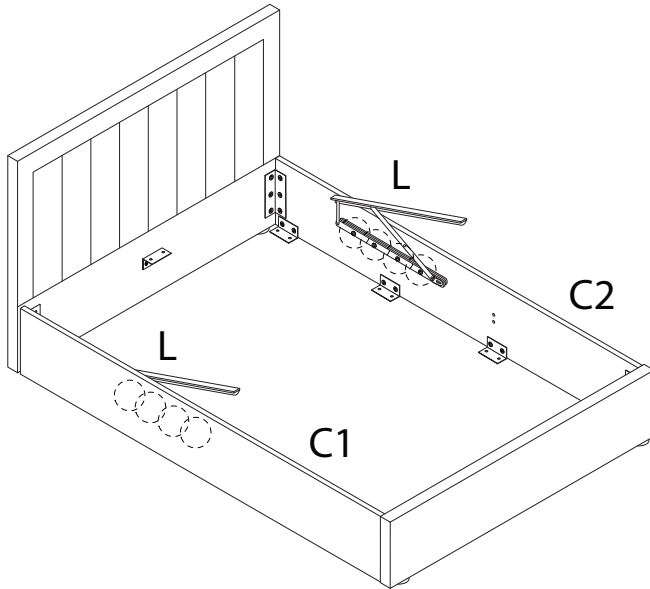
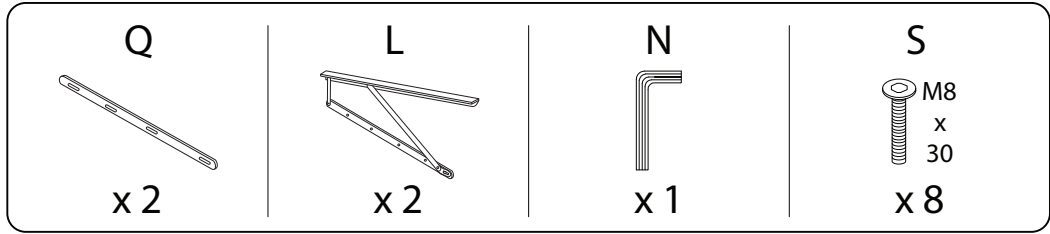


6

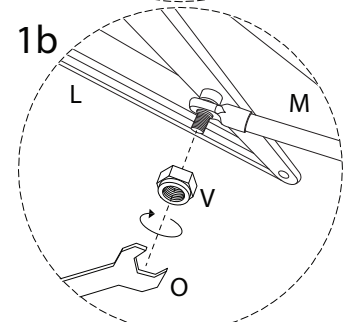
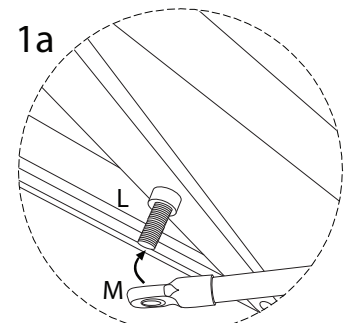
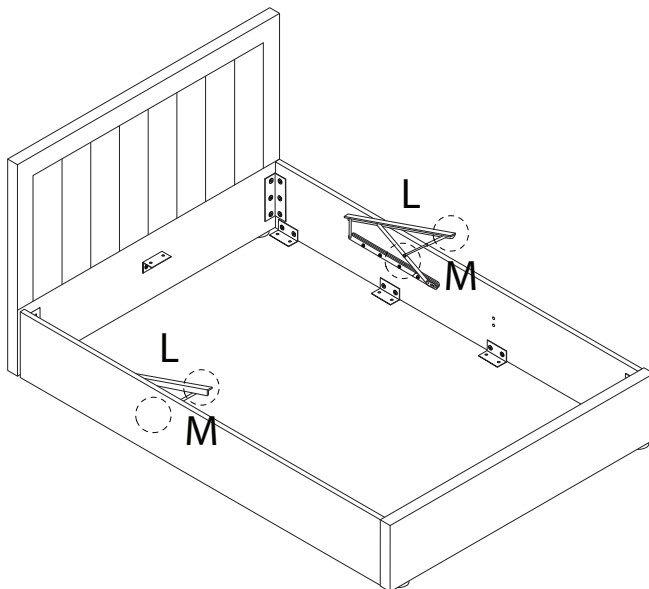
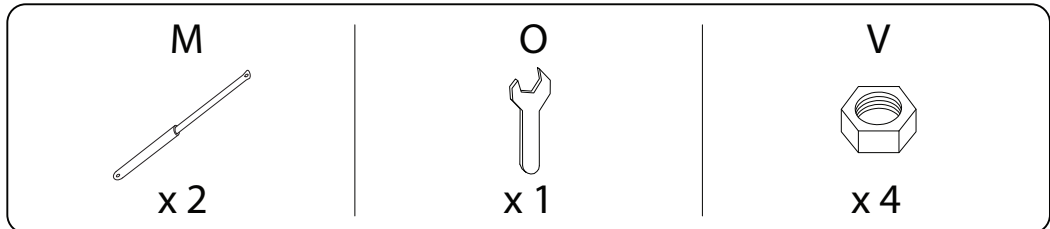




7

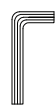


8



9

N



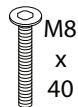
x 1

O



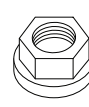
x 1

R

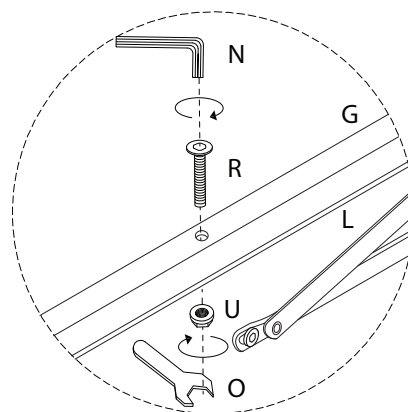
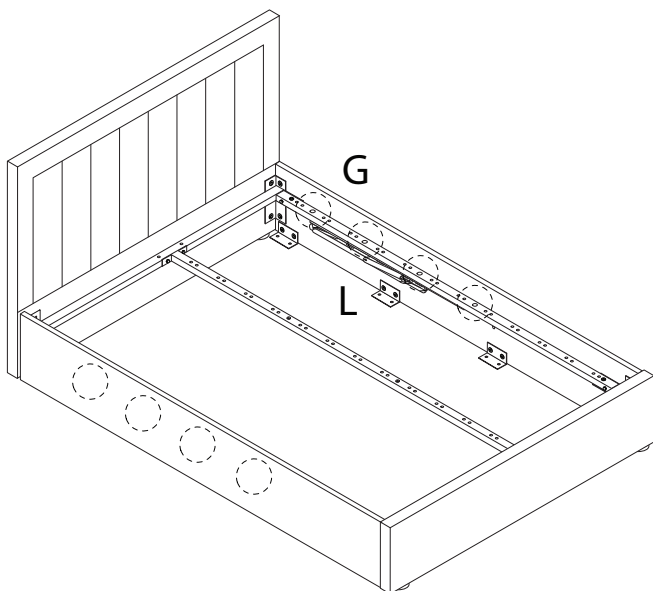


x 8

U



x 8

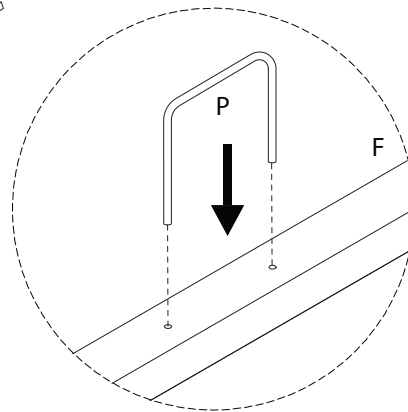
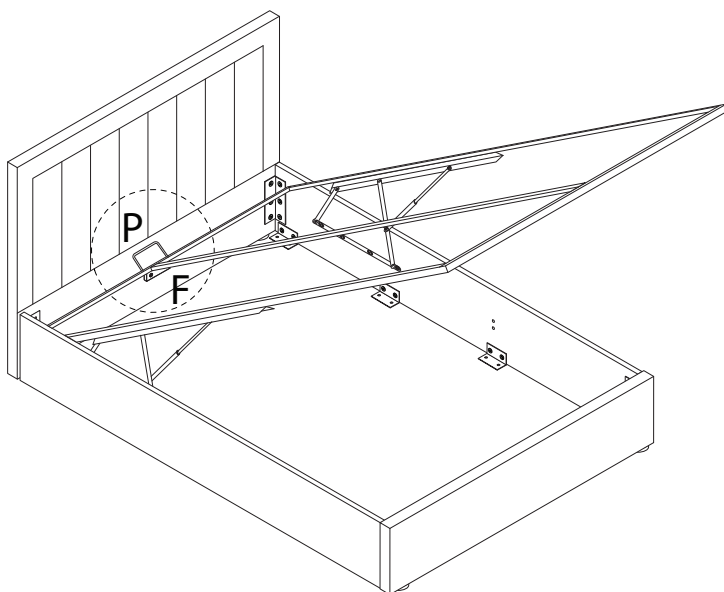


10

P



x 1

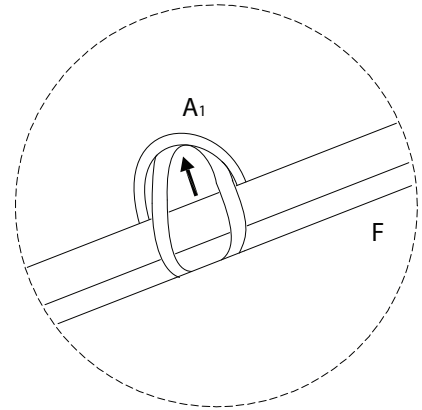
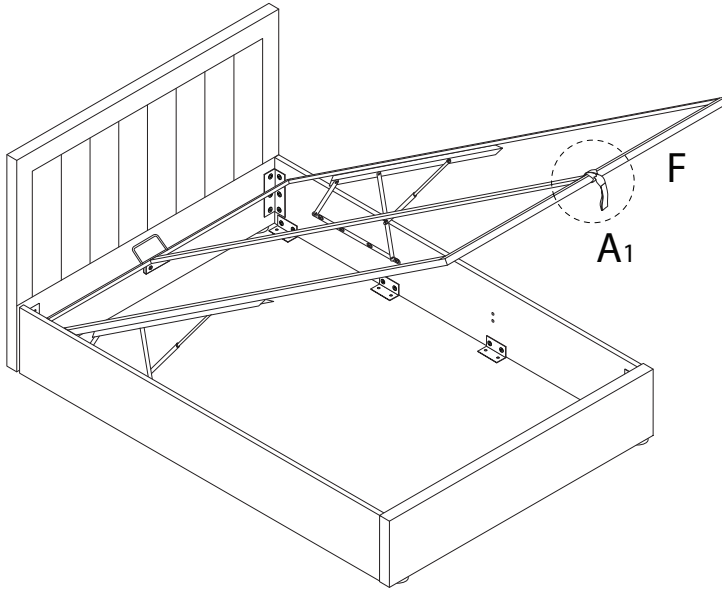


11

A1



x 1



12

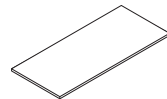


K

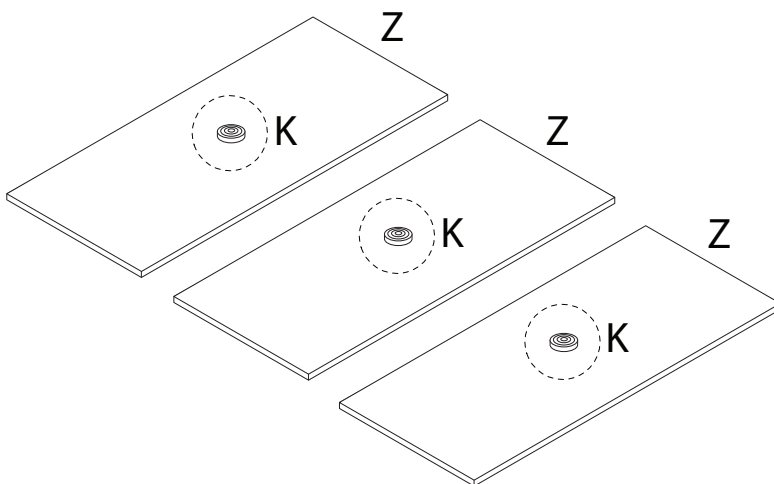


x 3

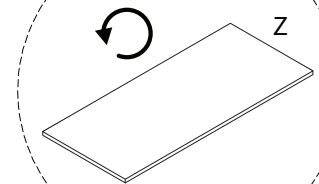
Z



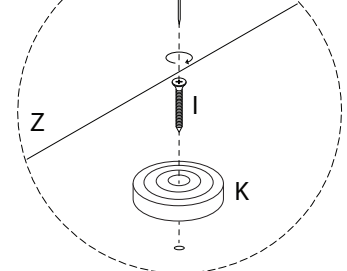
x 3



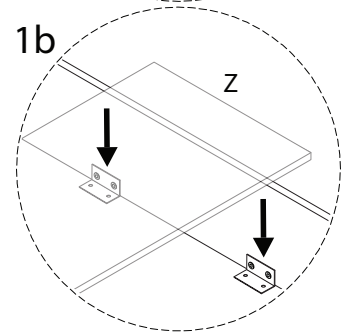
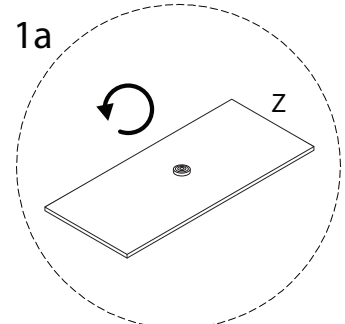
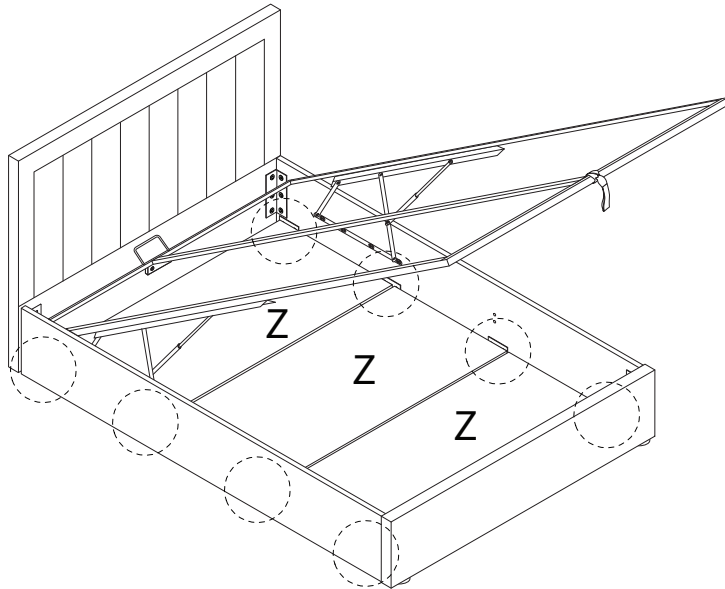
1a



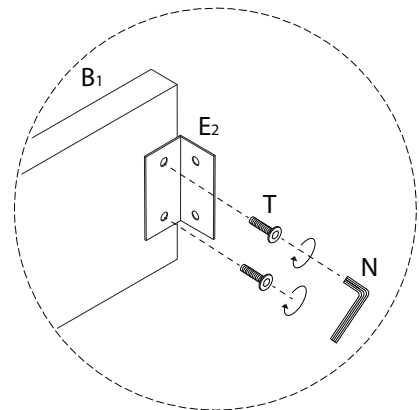
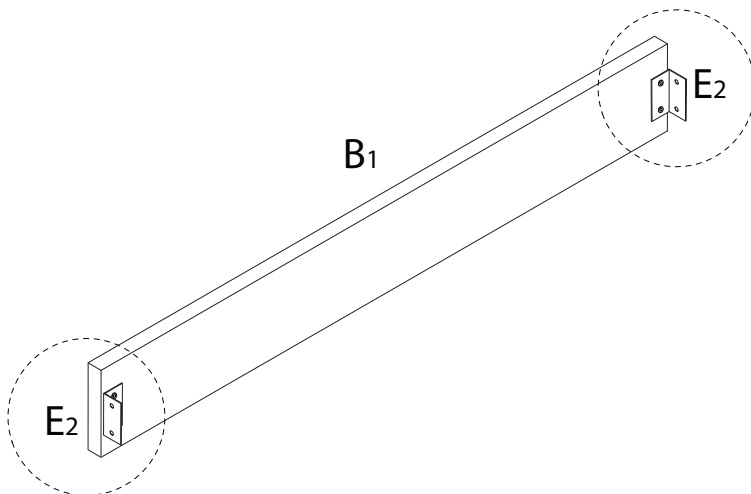
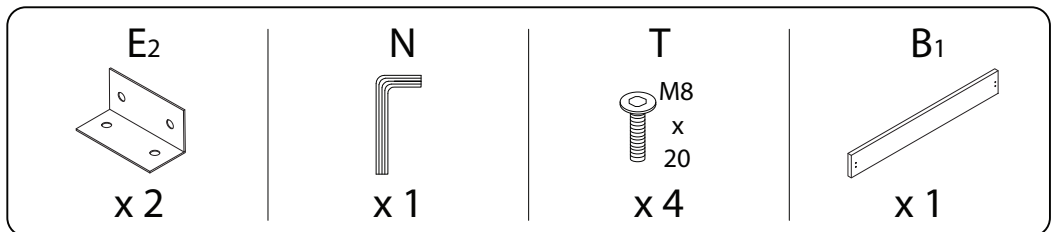
1b



13

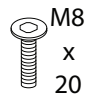


14

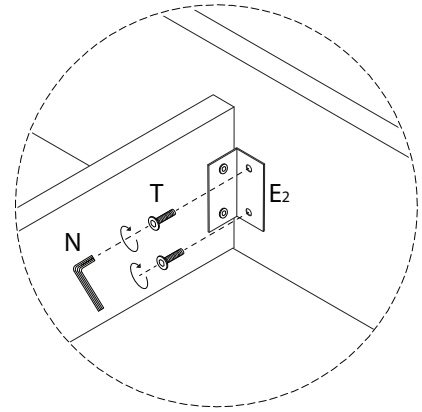
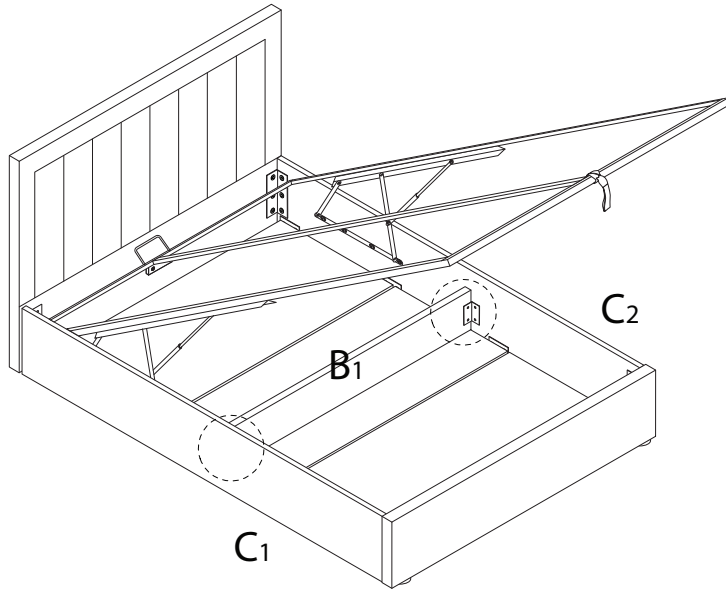


15

T

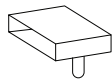


x 4



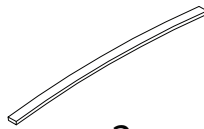
16 x 12

W



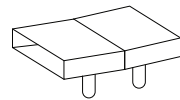
x 2

X

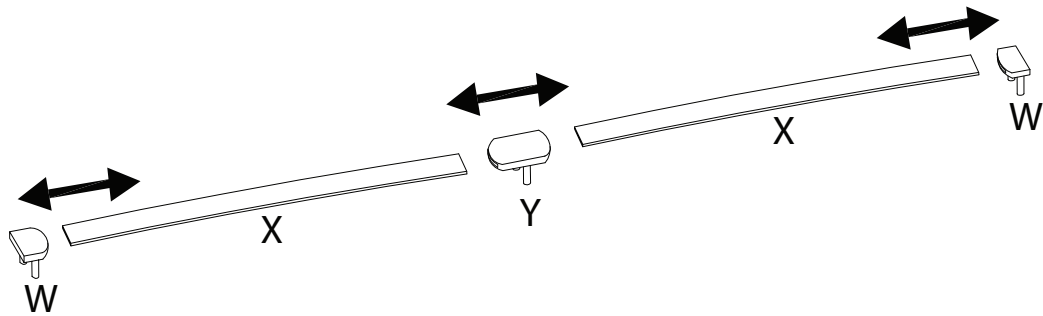


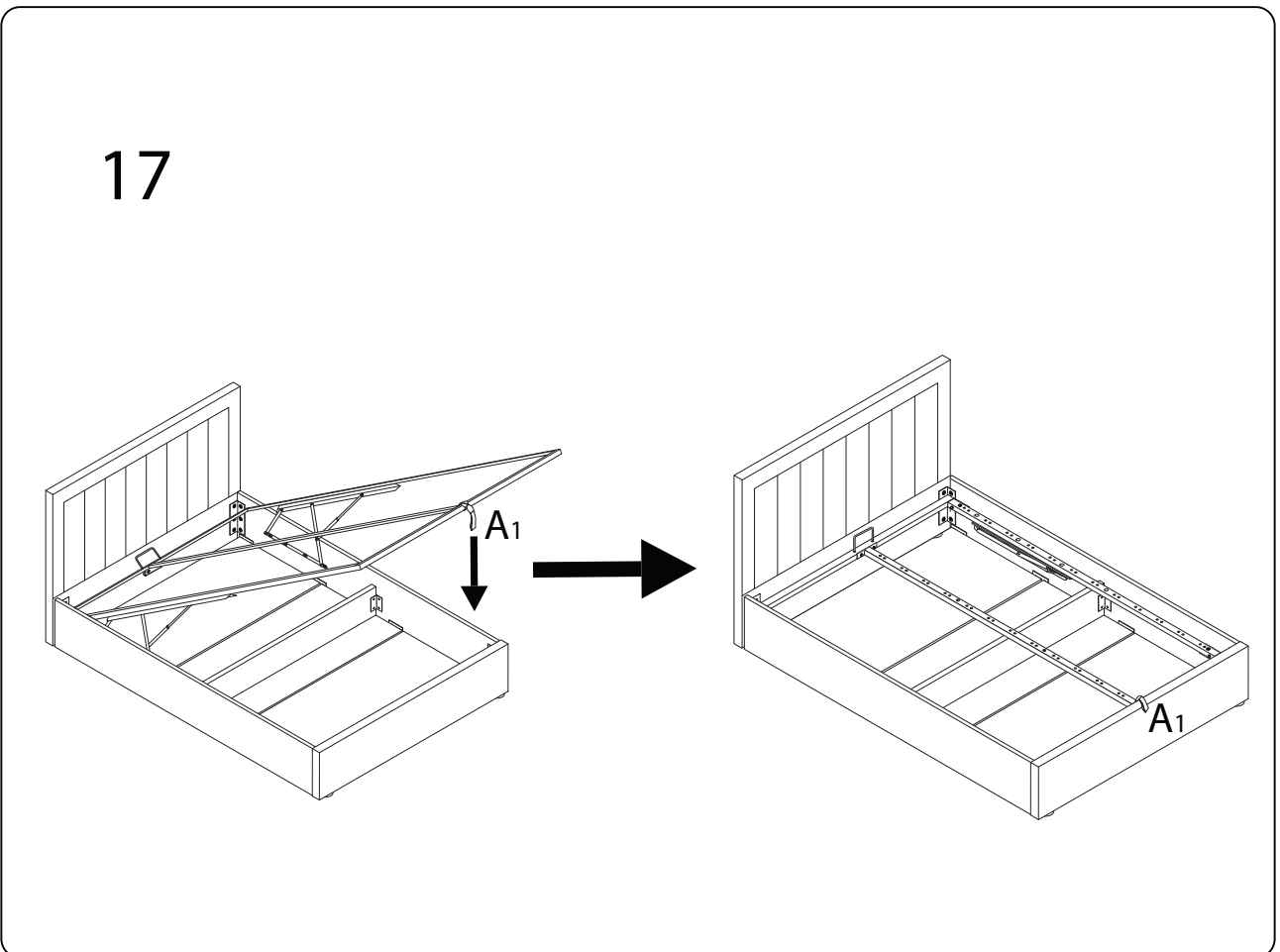
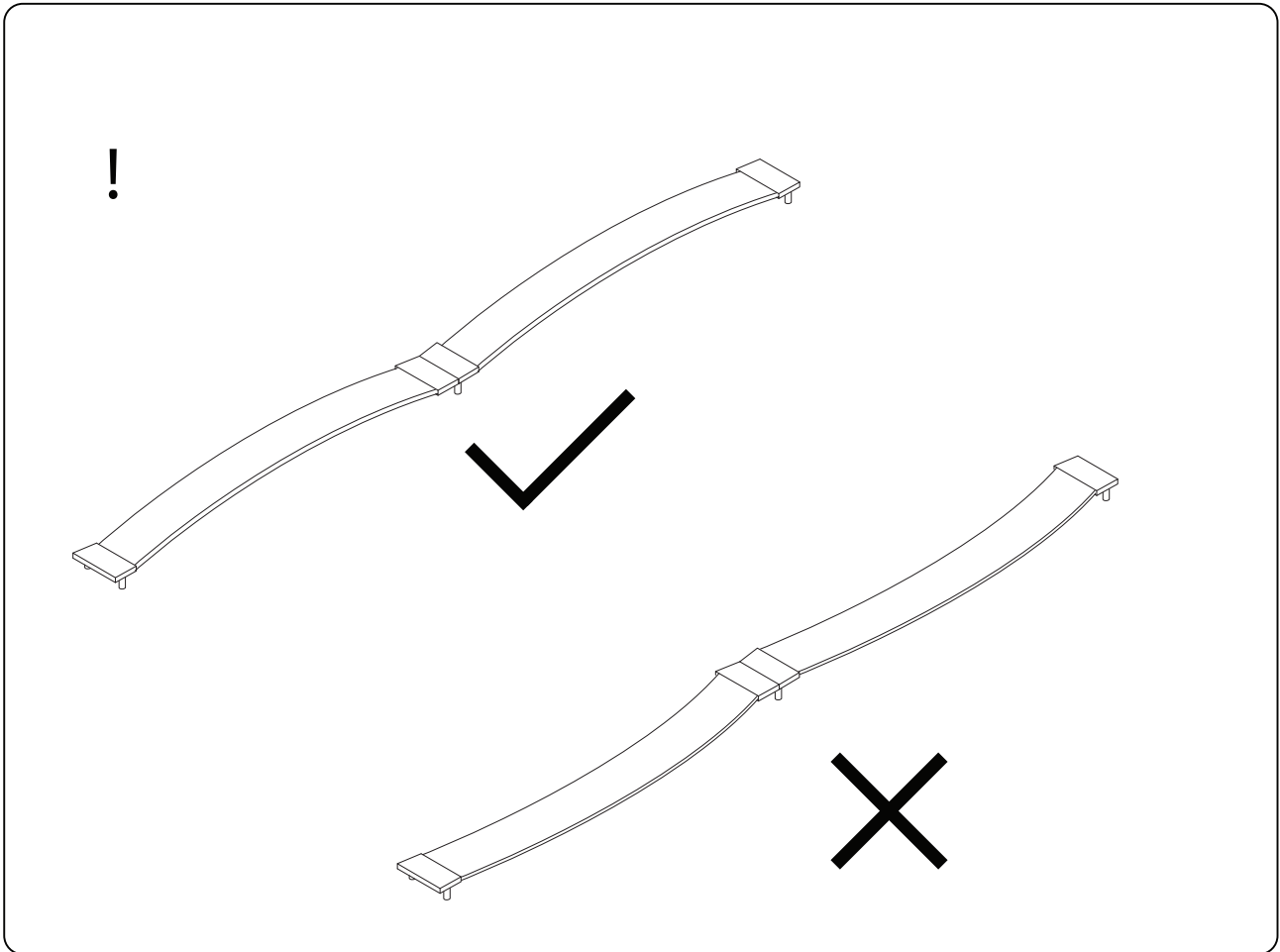
x 2

Y



x 1





18

