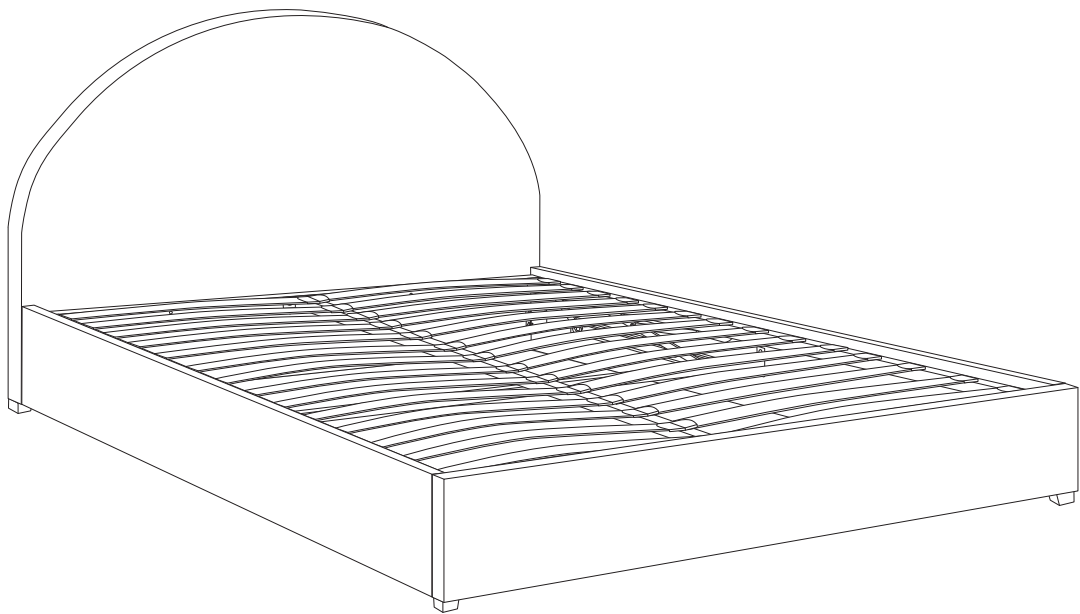
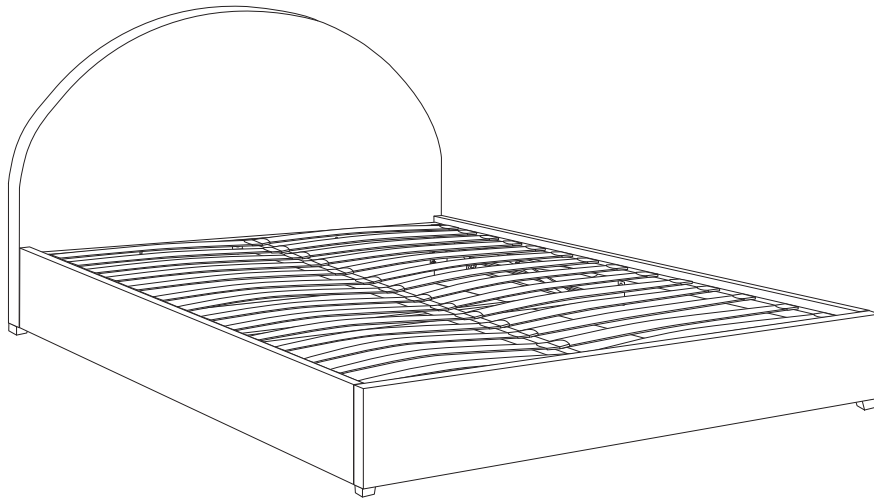
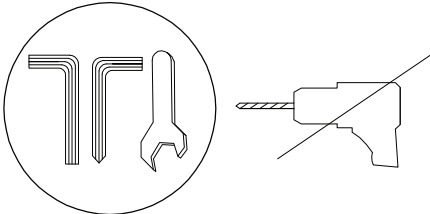
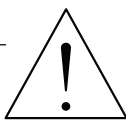
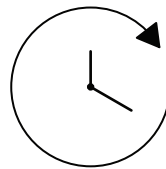
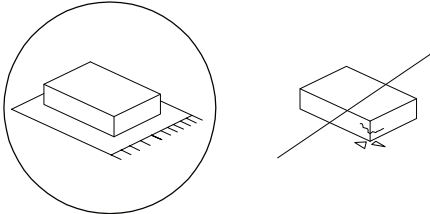


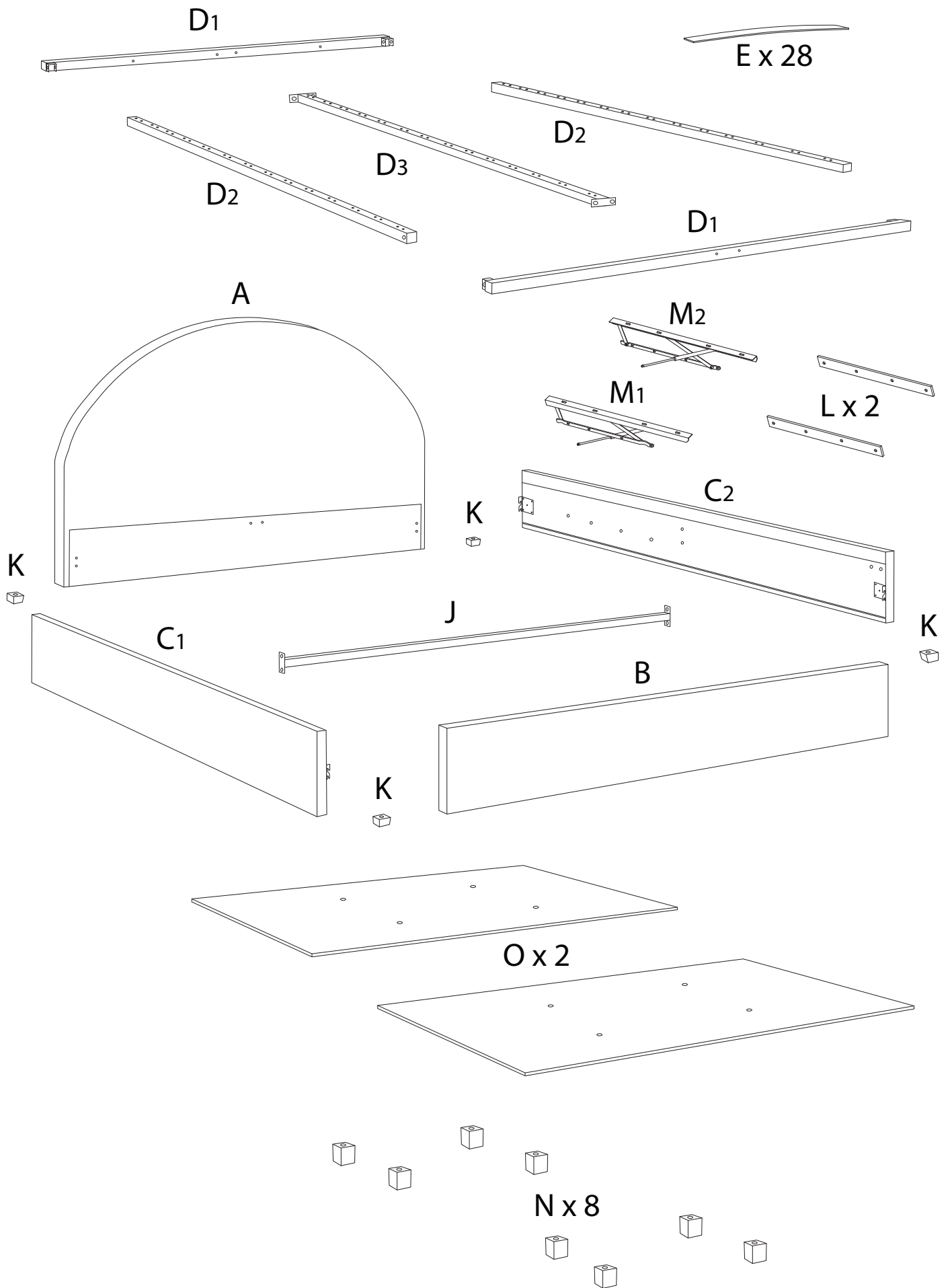


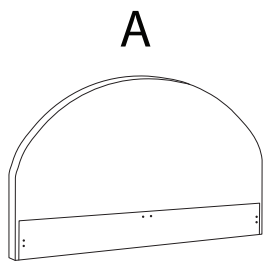
# VAUCLUSE



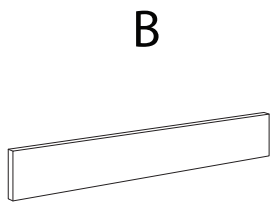


		
		
		<p>2</p>

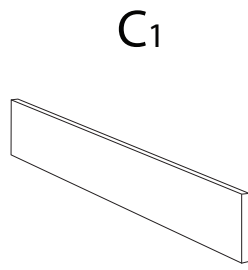




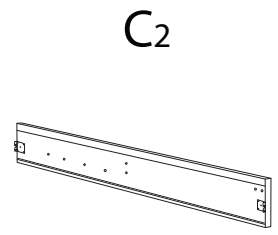
x 1



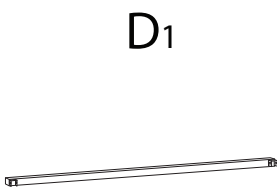
x 1



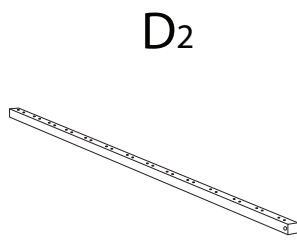
x 1



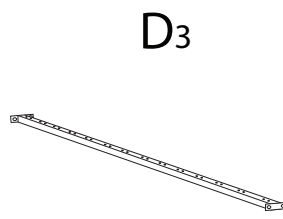
x 1



x 2



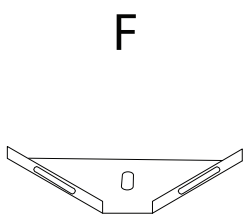
x 2



x 1



x 28



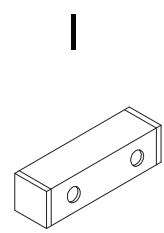
x 2



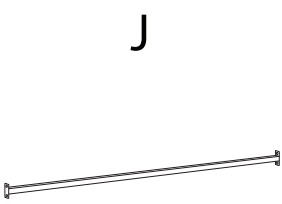
x 1



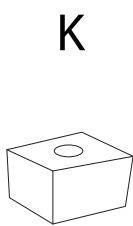
x 2



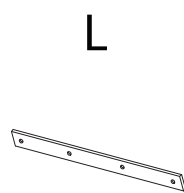
x 2



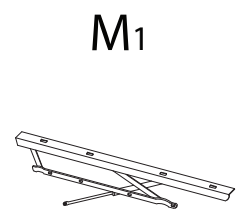
x 1



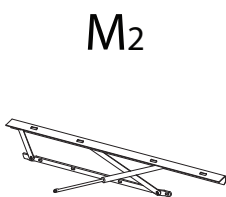
x 4



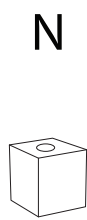
x 2



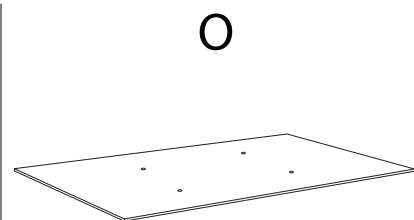
x 1



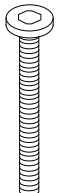
x 1

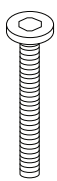


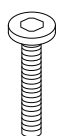
x 8

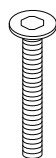


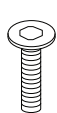
x 2

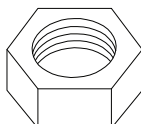
1  
  
M8  
x  
55  
x 4

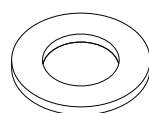
2  
  
M8  
x  
45  
x 18

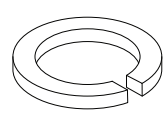
3  
  
M8  
x  
30  
x 16

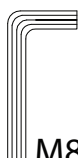
4  
  
M6  
x  
40  
x 8

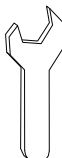
5  
  
M6  
x  
20  
x 12


6  
  
x 14

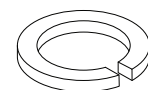
7  
  
M8  
x 38

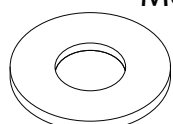
8  
  
M8  
x 30

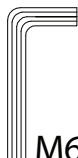
9  
  
M8  
x 1

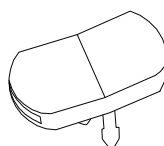
10  
  
x 1

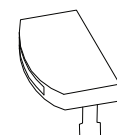
11  
  
x 1

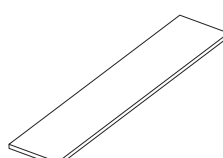
12  
  
M6  
x 20

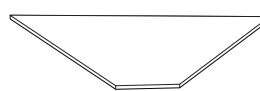
13  
  
M6  
x 20

14  
  
M6  
x 1



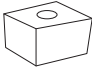
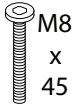

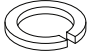
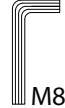
15  
  
x 14

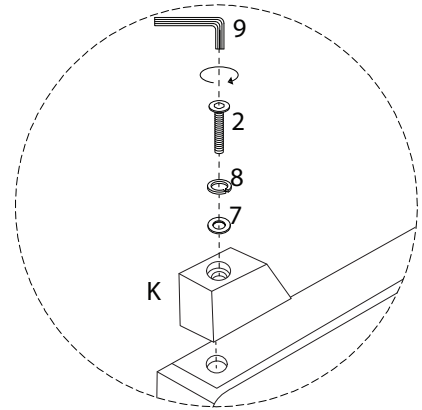
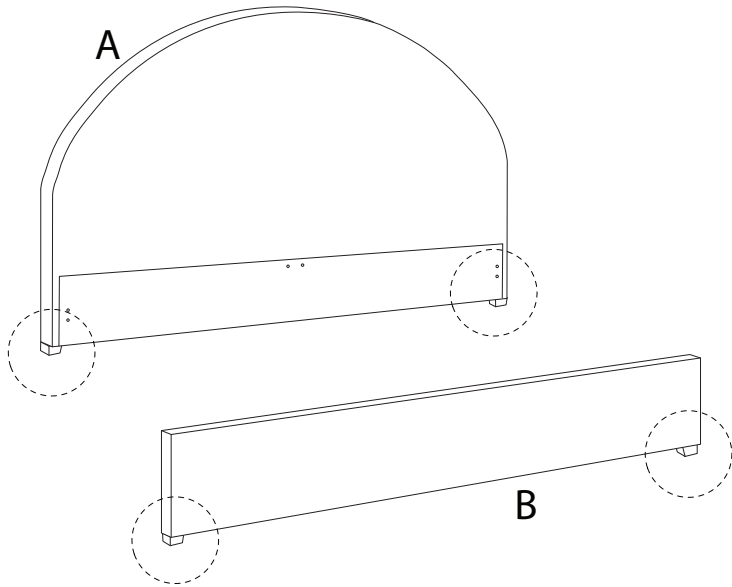
16  
  
x 28

17  
  
x 3

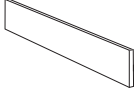
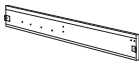

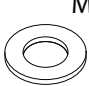


18  
  
x 2

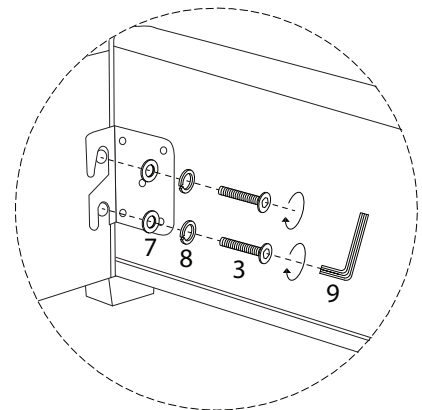
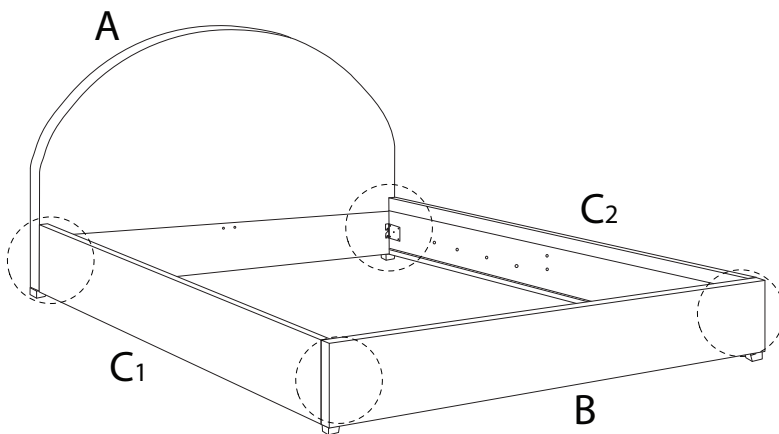
1

<b>A</b>  x 1	<b>B</b>  x 1	<b>K</b>  x 4	<b>2</b>  x 4	<b>7</b>  x 4	<b>8</b>  x 4	<b>9</b>  x 1
--	--	--	--	--	--	--


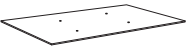
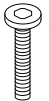
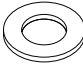



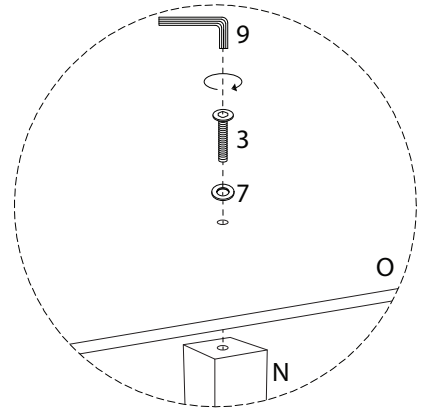
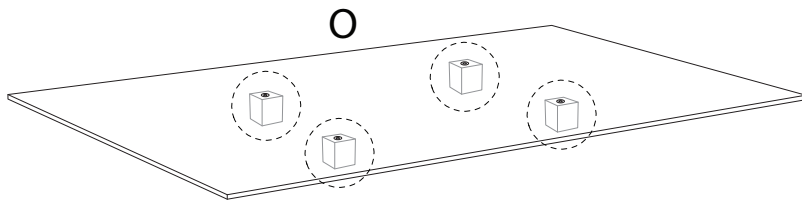
2

<b>C1</b>  x 1	<b>C2</b>  x 1	<b>3</b>  x 8	<b>7</b>  x 8	<b>8</b>  x 8	<b>9</b>  x 1
---	---	--	---	--	--

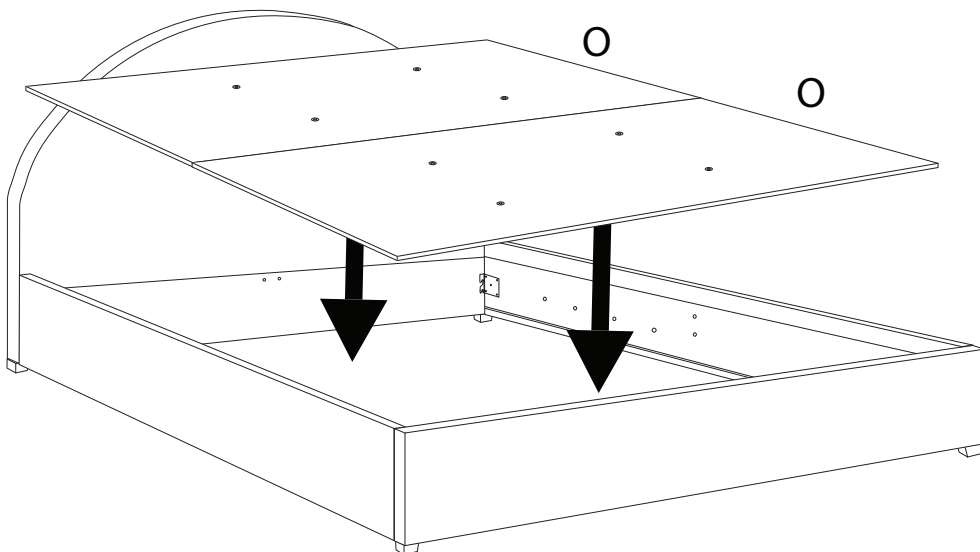


3 x 2

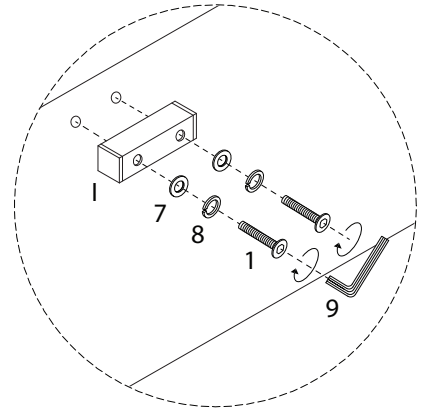
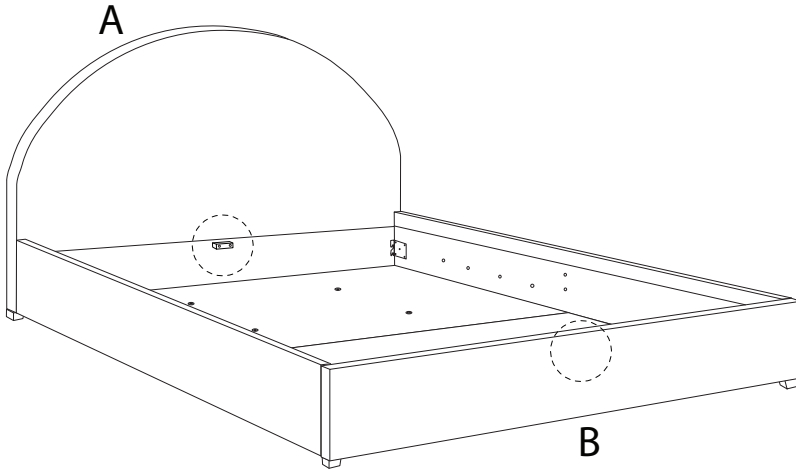
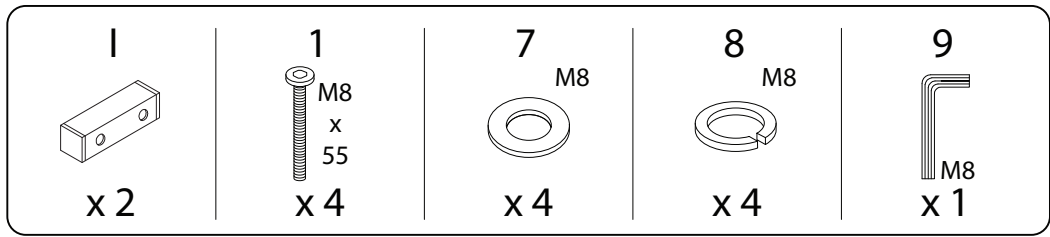
N  x 4	O  x 1	3  M8 x 30 x 4	7  M8 x 4	9  M8 x 1
---	---	--	---	---



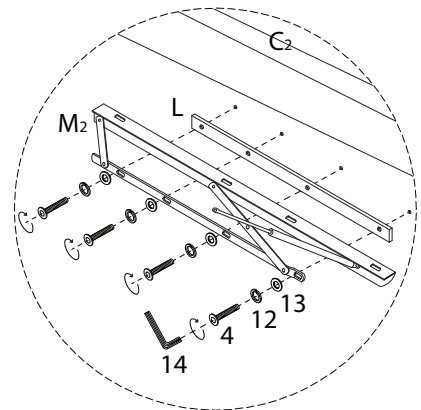
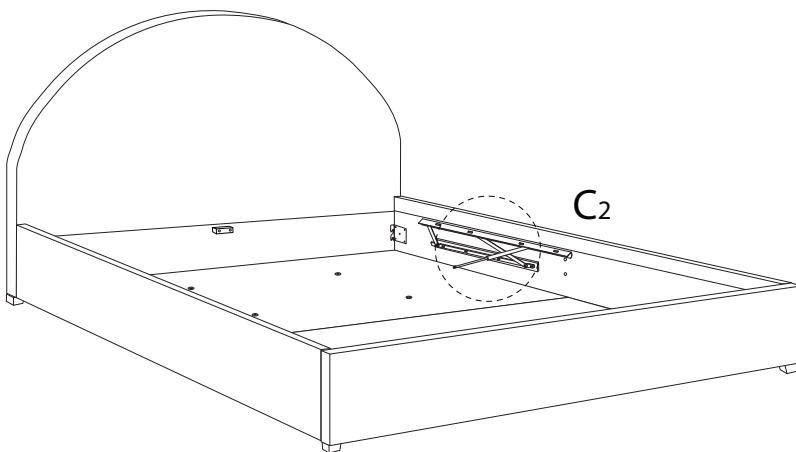
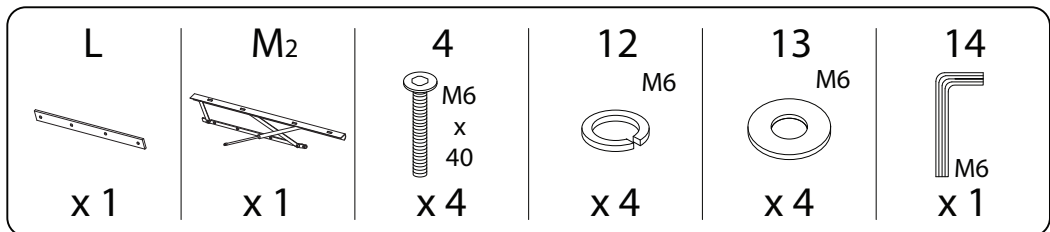
4



5

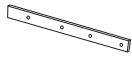
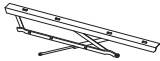
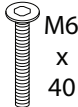
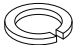

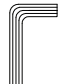


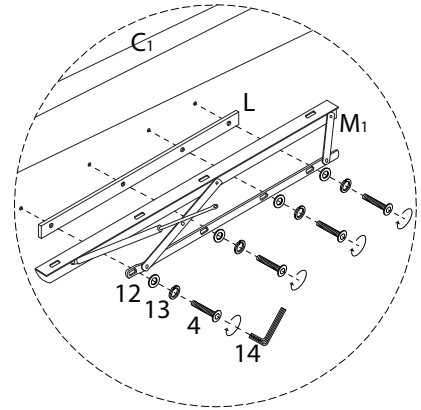
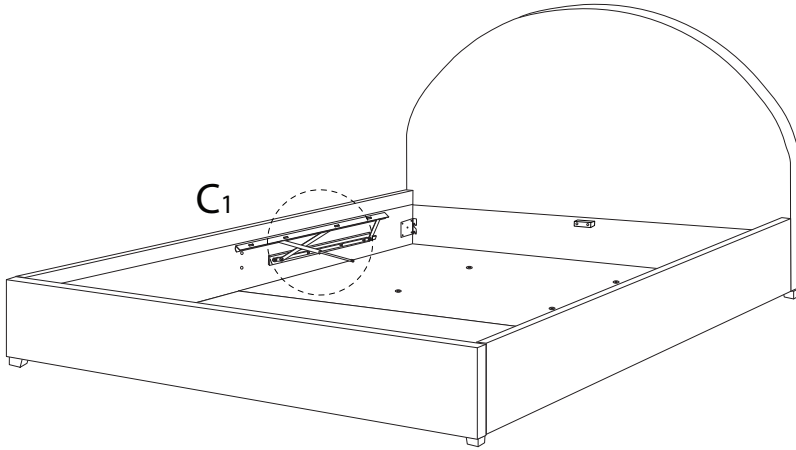
6



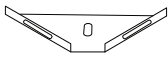

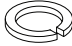

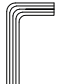


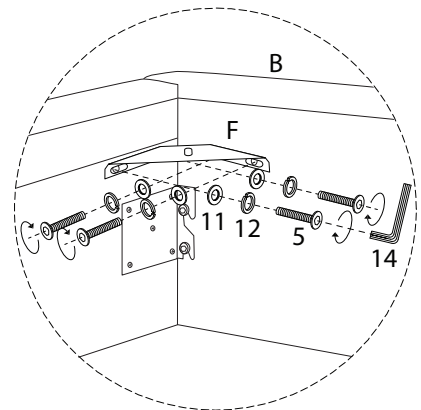
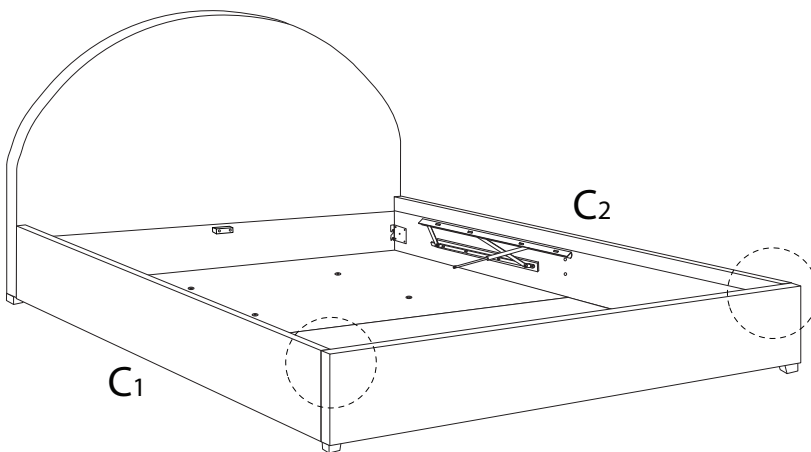
7

L	M <sub>1</sub>	4 M6 x 40	12 M6	13 M6	14 M6
					
x 1	x 1	x 4	x 4	x 4	x 1

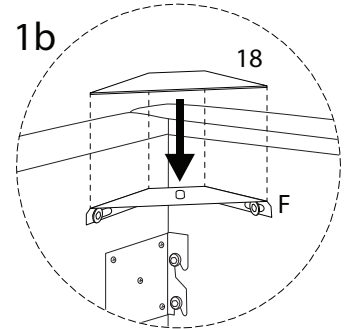
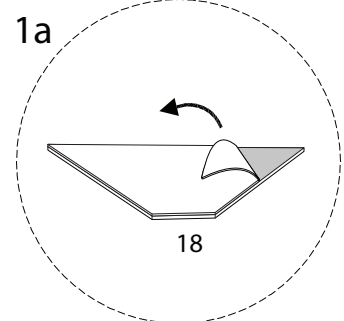
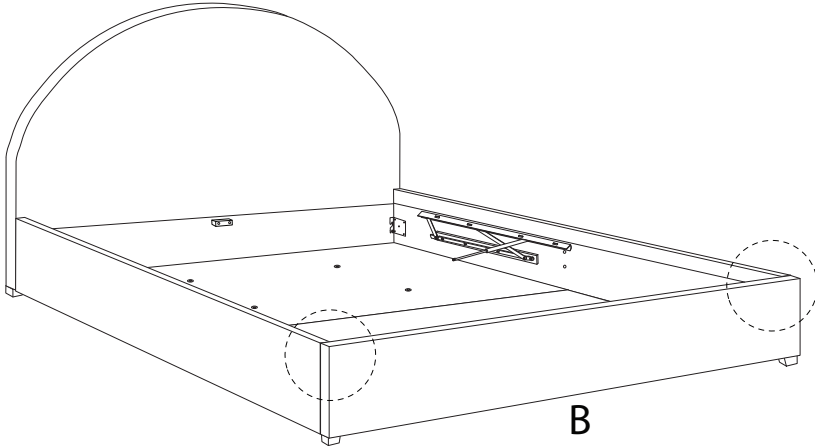
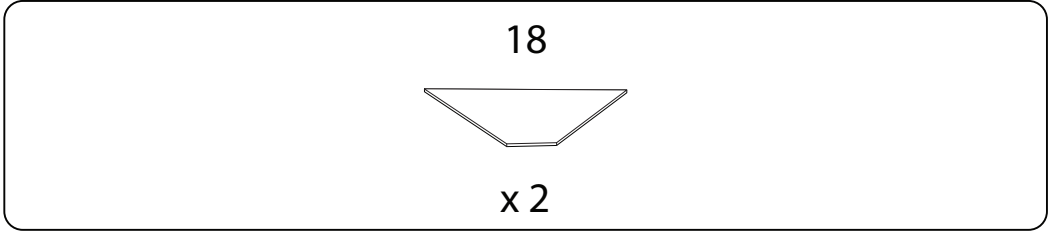


8

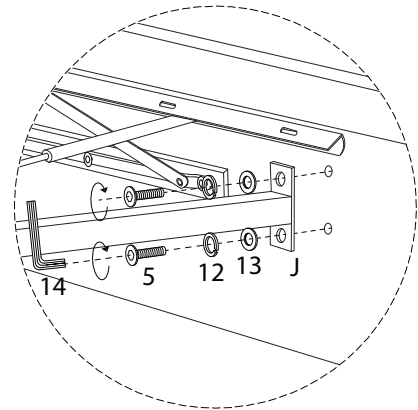
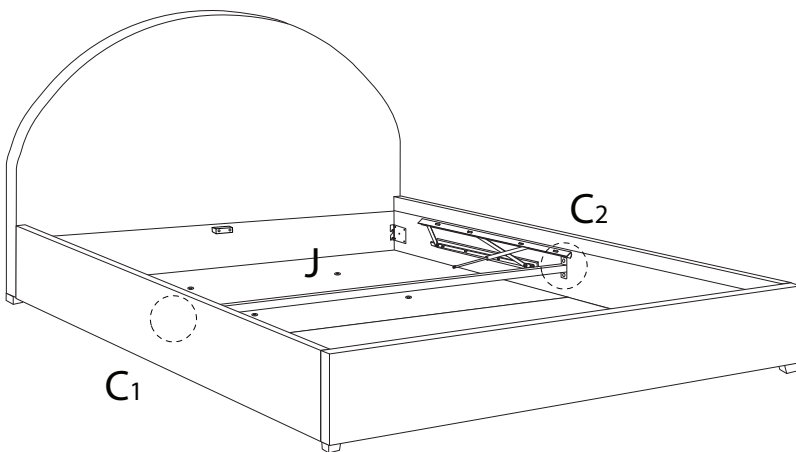
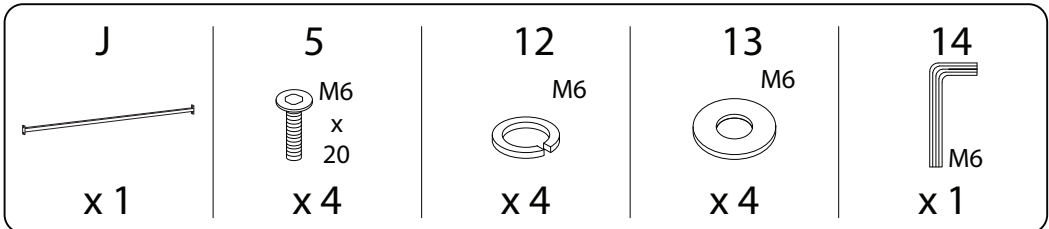
F	5 M6 x 20	12 M6	13 M6	14 M6
				
x 2	x 8	x 8	x 8	x 1



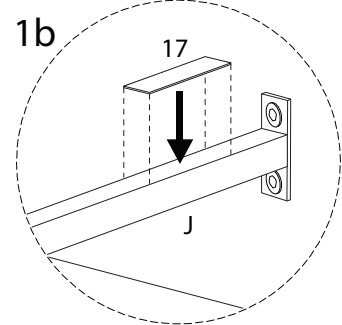
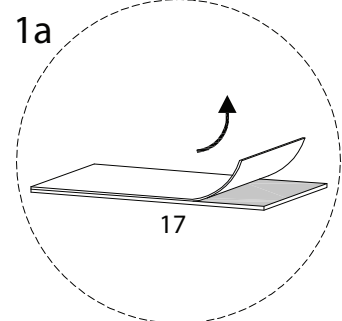
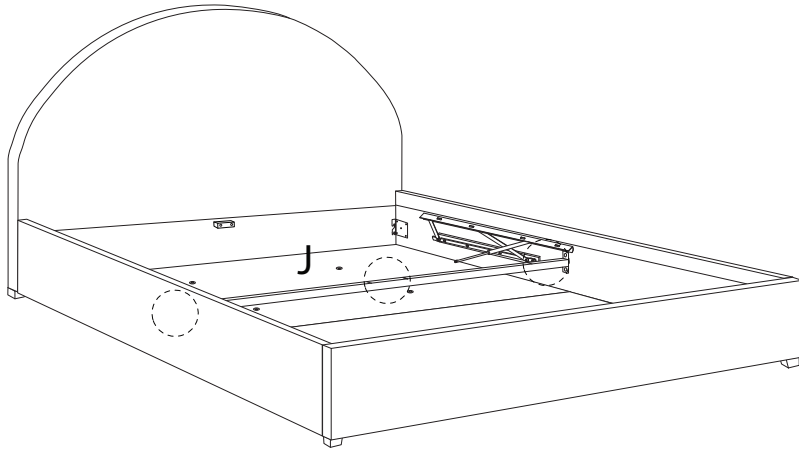
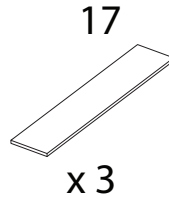
9



10

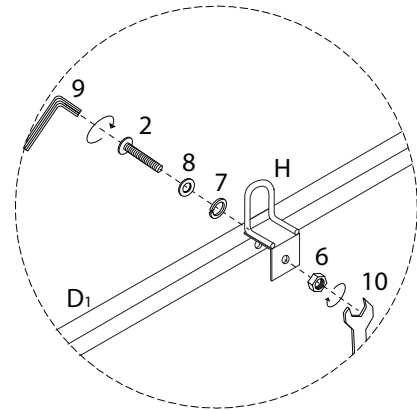
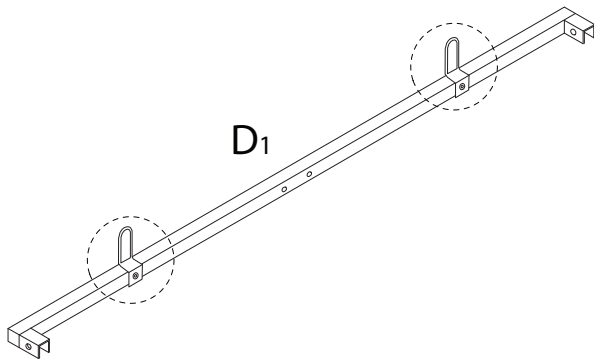


11

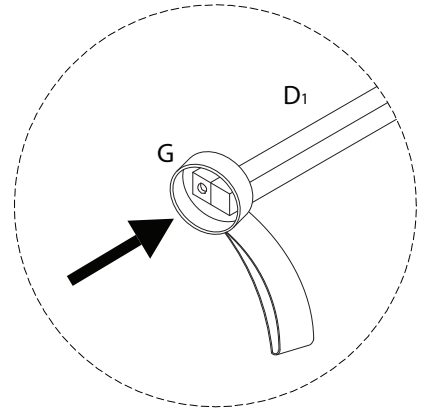
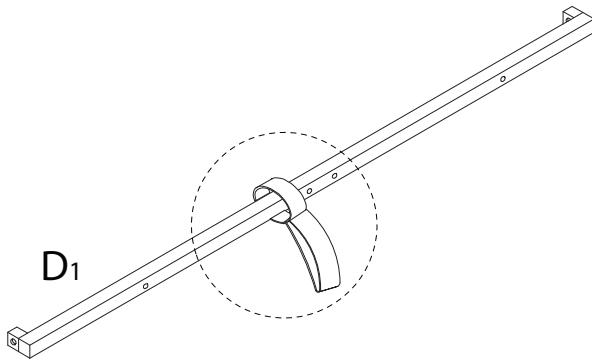
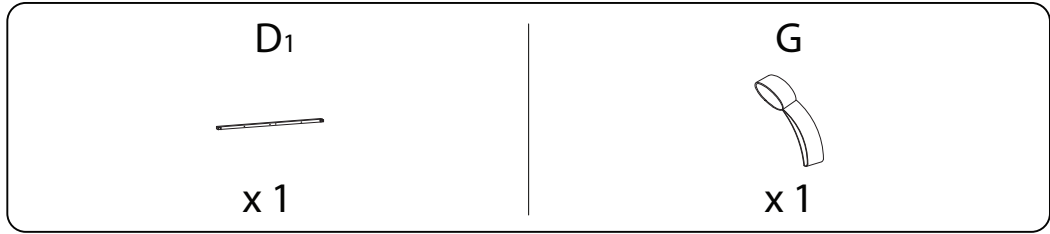


12

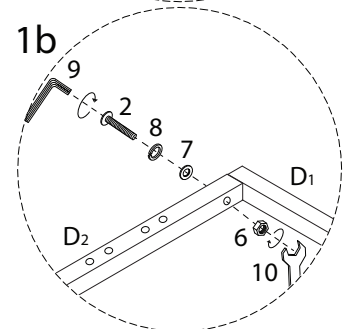
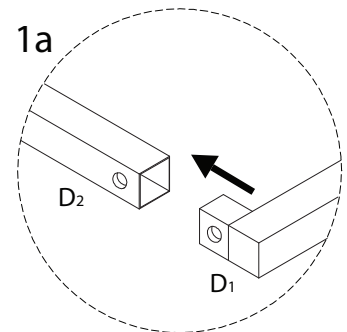
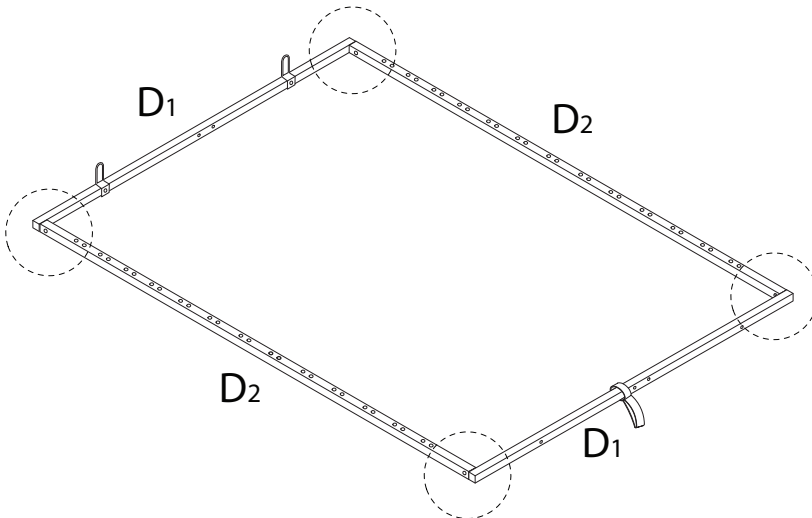
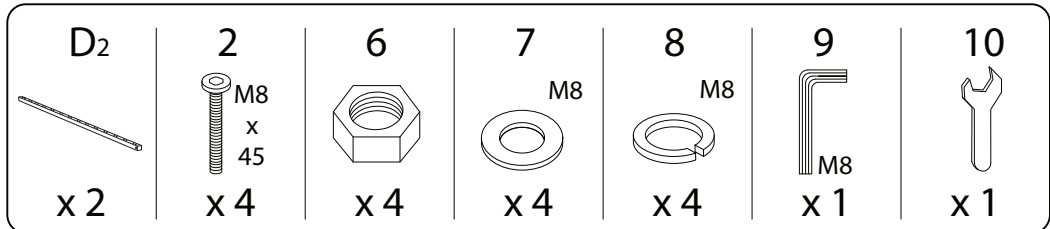
D <sub>1</sub>	H	2	6	7	8	9	10
x 1	x 2	x 2	x 2	x 2	x 2	x 1	x 1




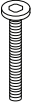
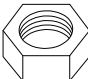



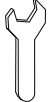
13

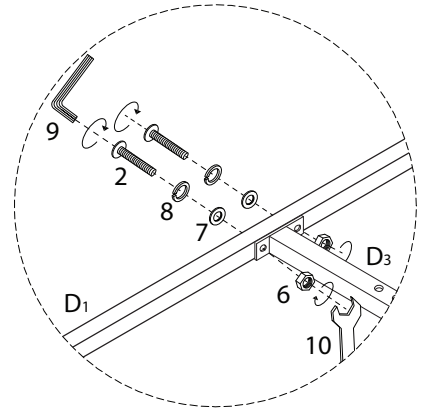
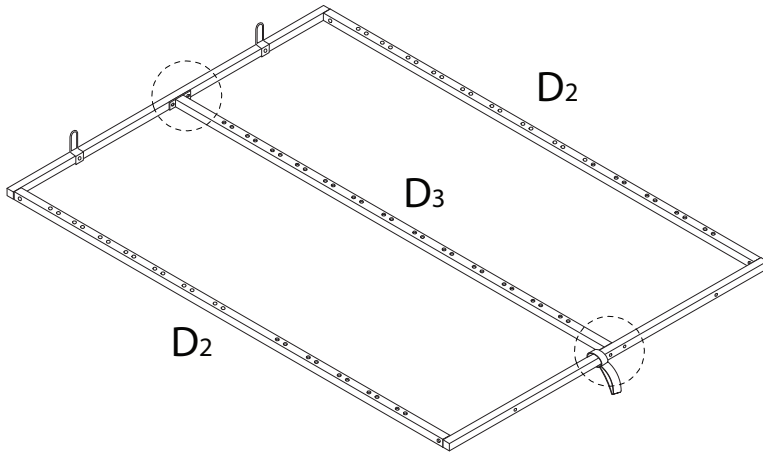


14

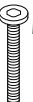
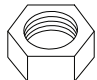

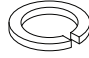




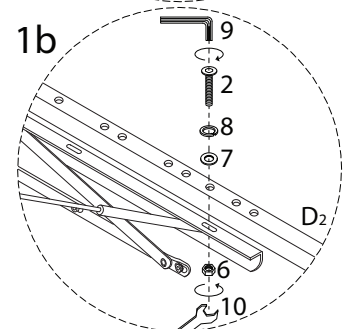
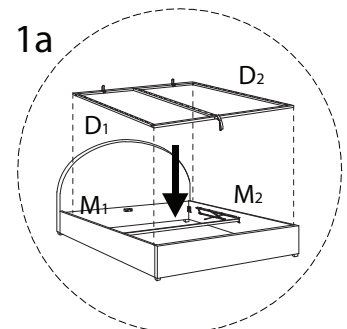
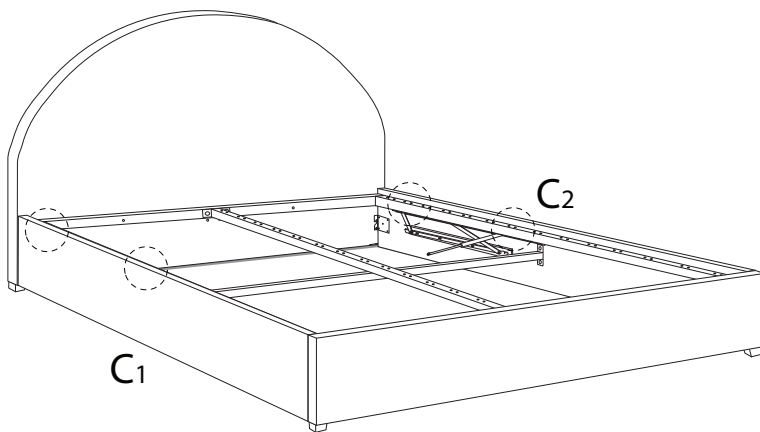
15

D3  x 1	2 M8 x 45  x 4	6  x 4	7 M8  x 4	8 M8  x 4	9 M8  x 1	10  x 1
--	---	---	---	---	---	--

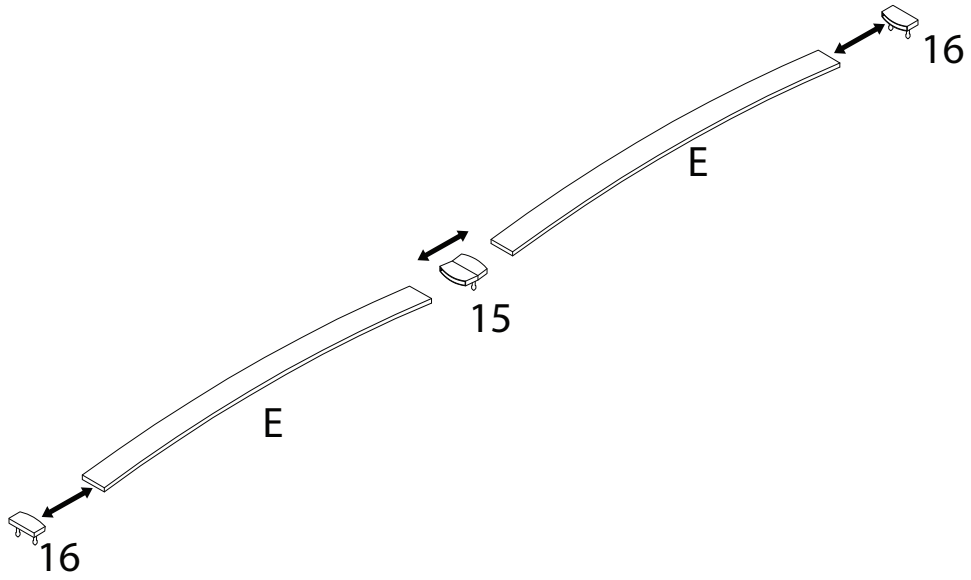
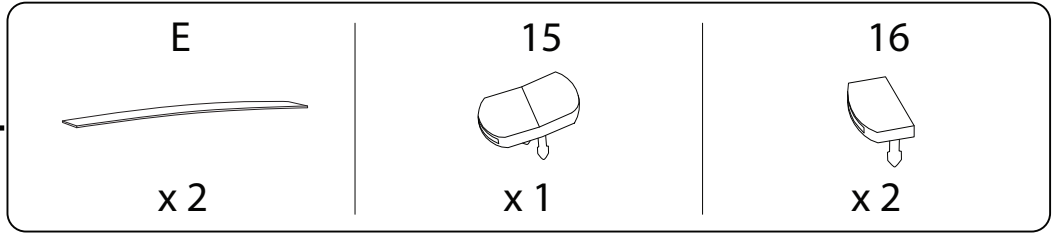


16

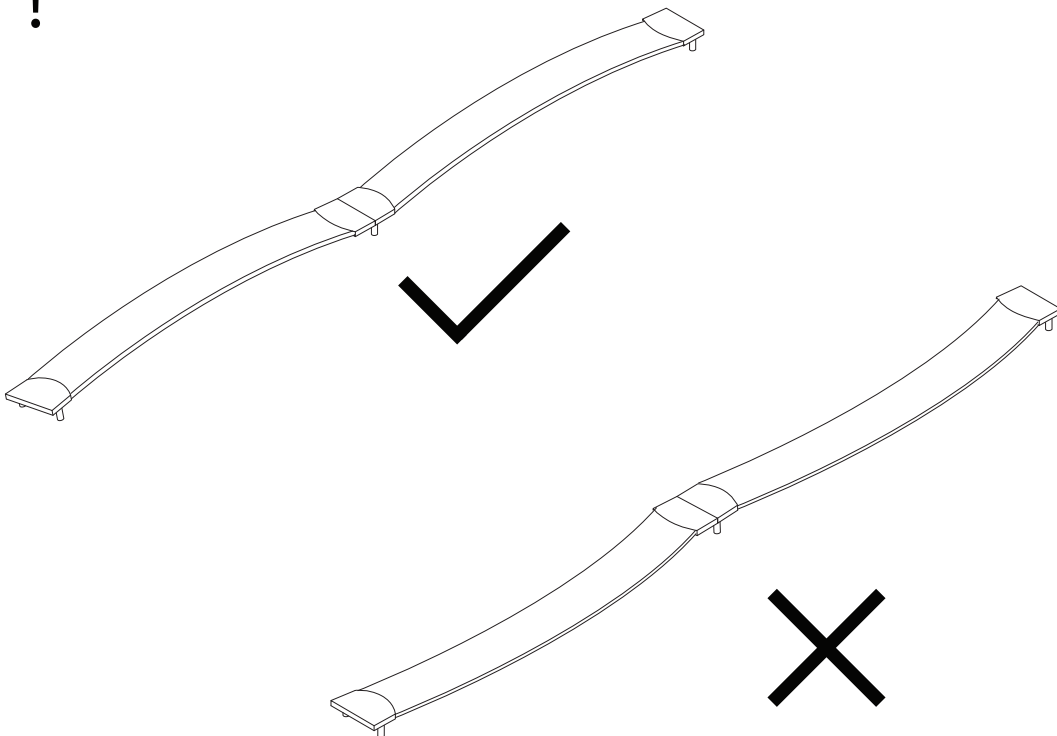
2 M8 x 45  x 4	6  x 4	7 M8  x 4	8 M8  x 4	9 M8  x 1	10  x 1
---	---	---	--	---	--



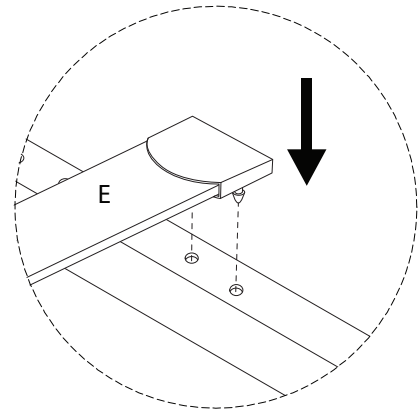
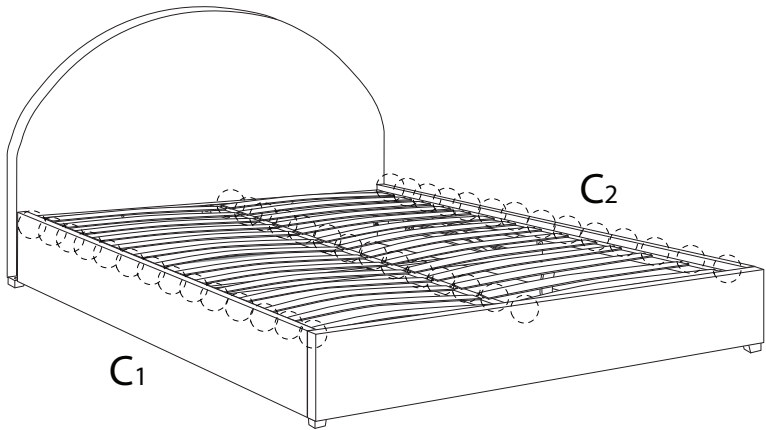
17 x 14



!



18



19

