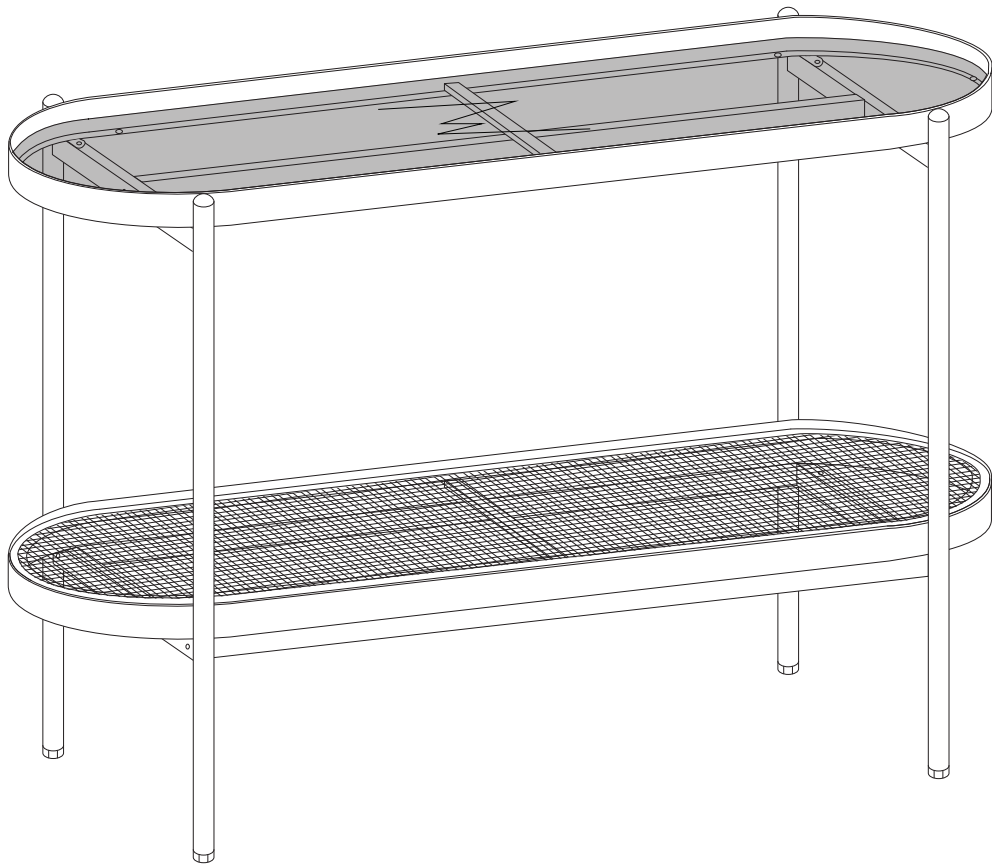
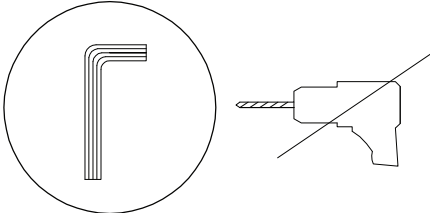

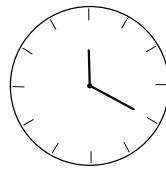
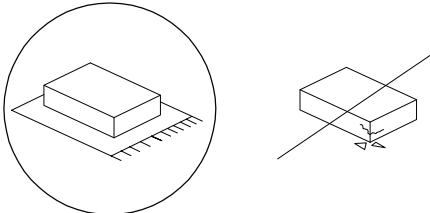

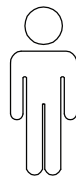


# RENO

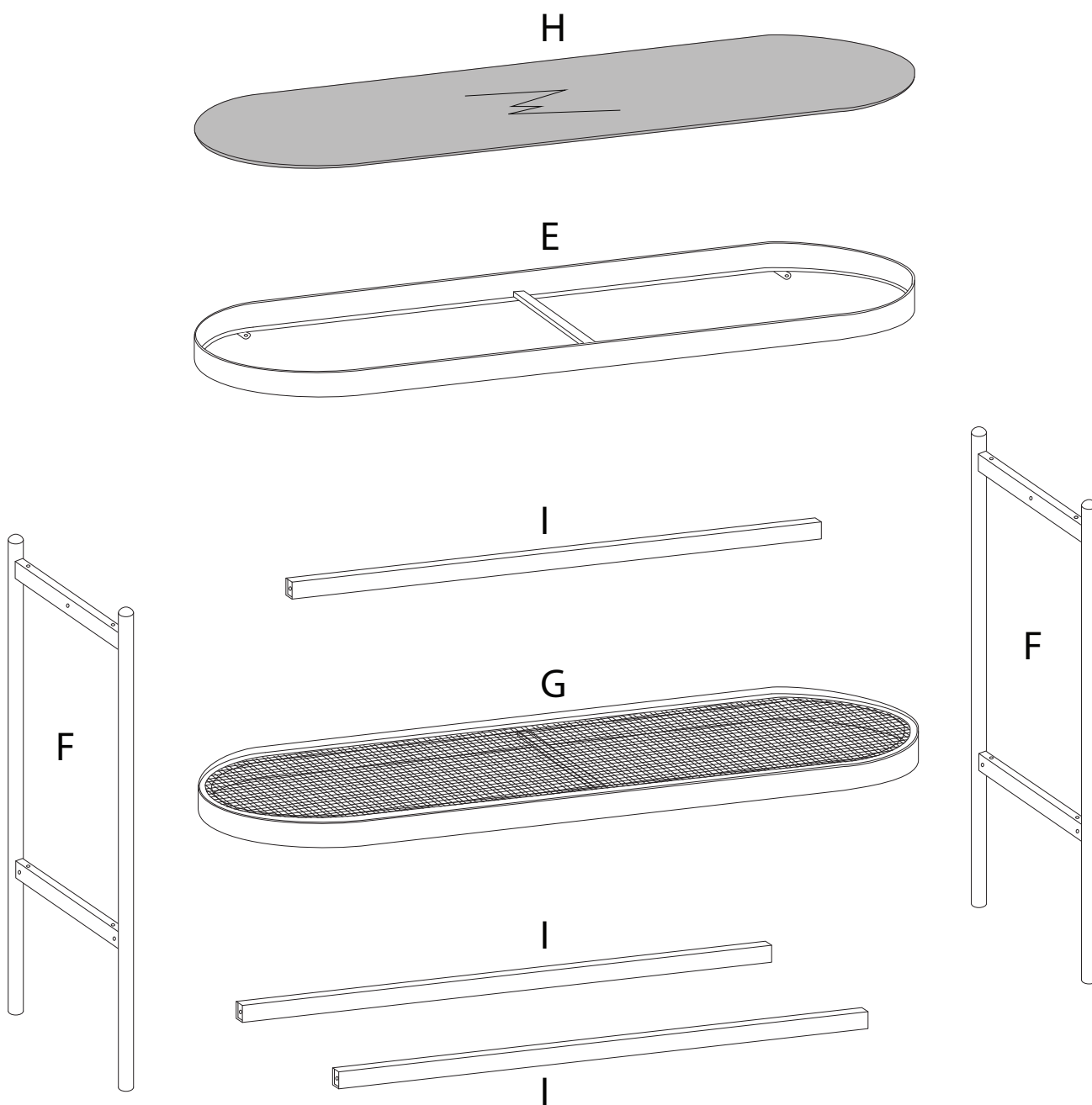


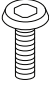
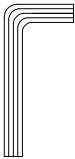
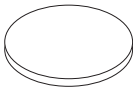


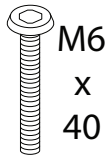
20'

2



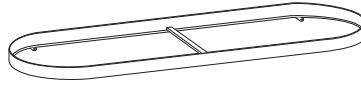
A	B	C
 <p>M6 x 14</p>		
x 4	x 1	x 6

D



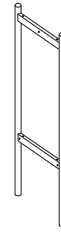
x 4

E



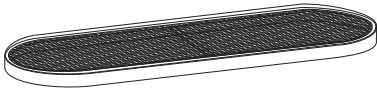
x 1

F



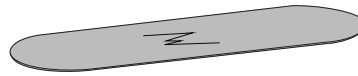
x 2

G



x 1

H



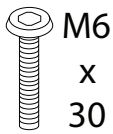
x 1

I



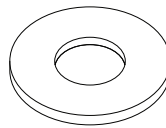
x 3

J



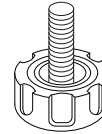
x 6

K



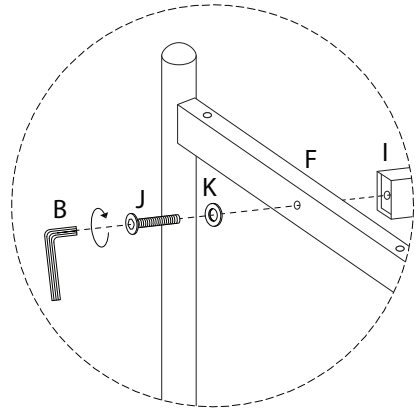
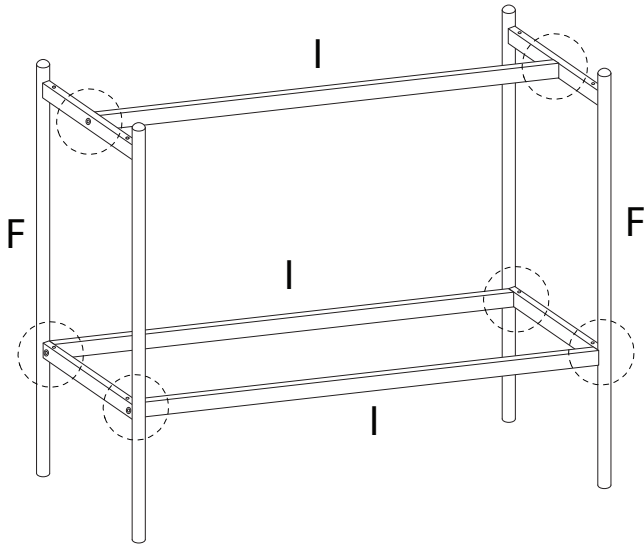
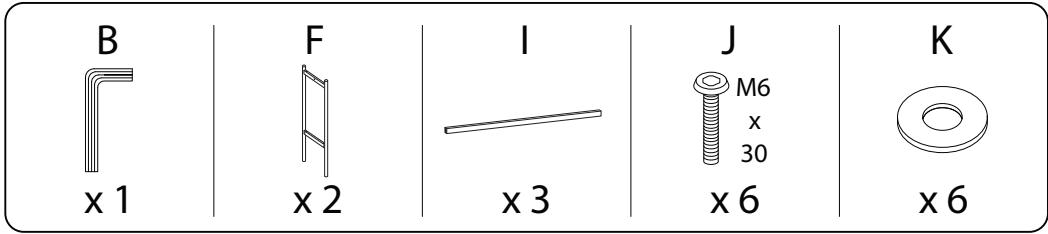
x 6

L

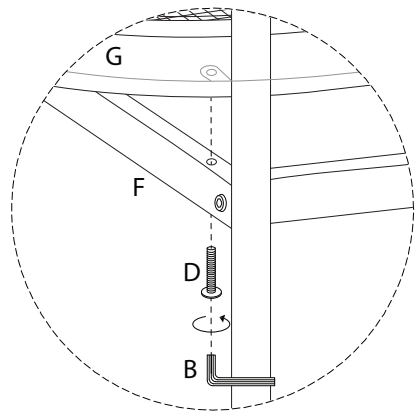
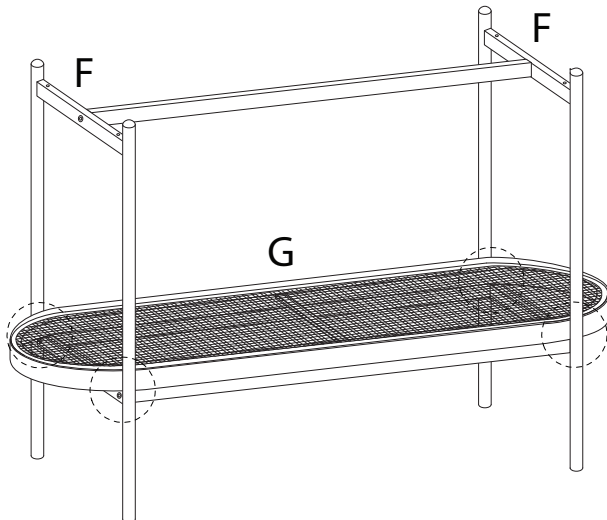
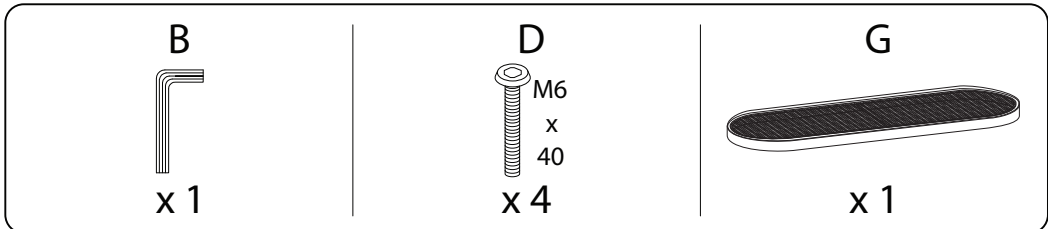


x 4

1



2

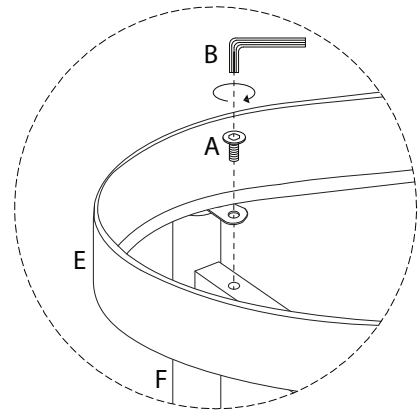
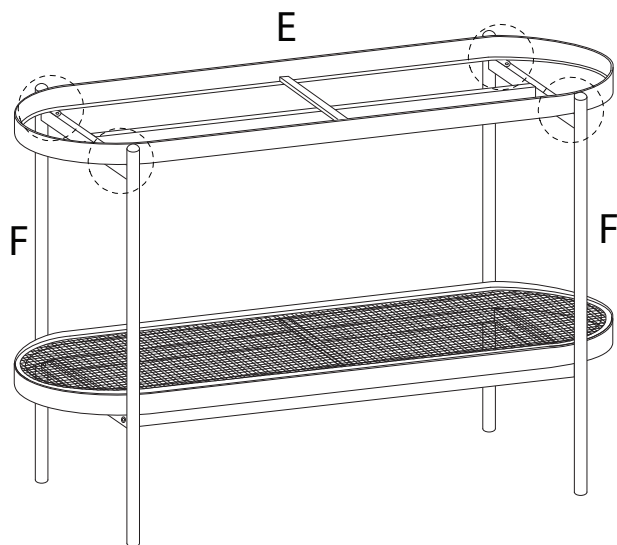


3

A  
M6  
x  
14  
x 4

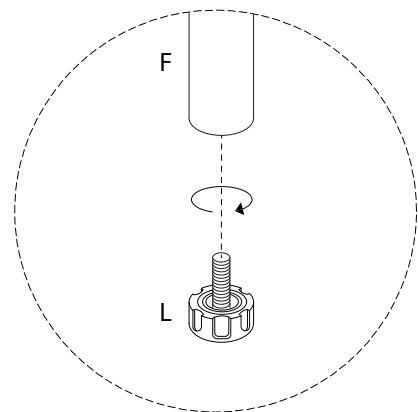
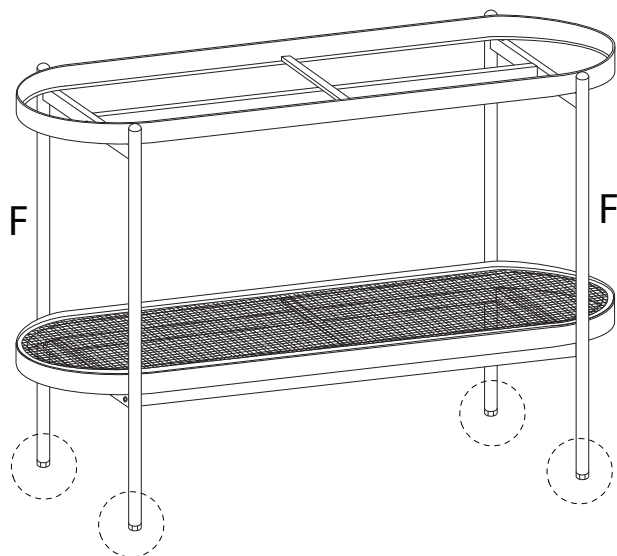
B  
x 1

E  
x 1



4

L  
x 4

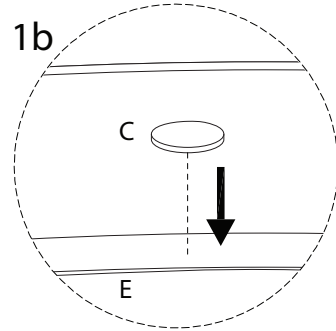
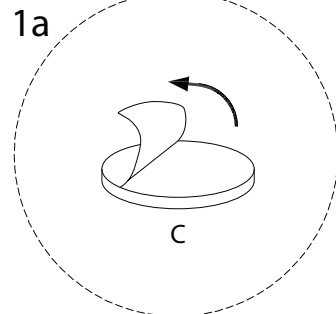
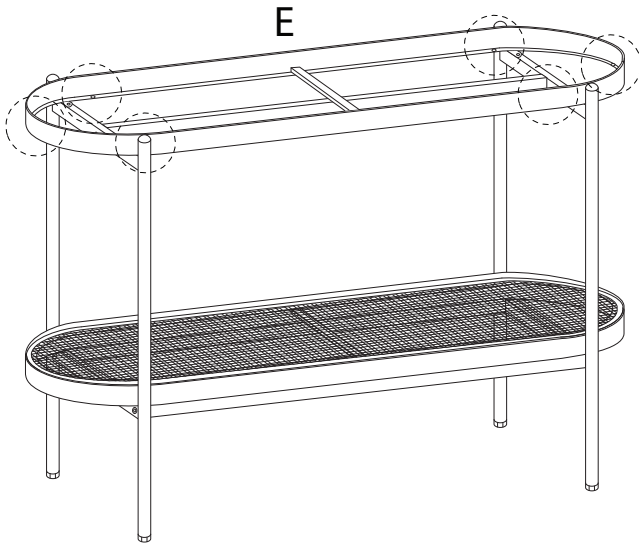


5

E

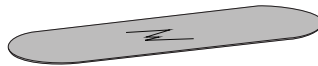


x 6



6

H



x 1

