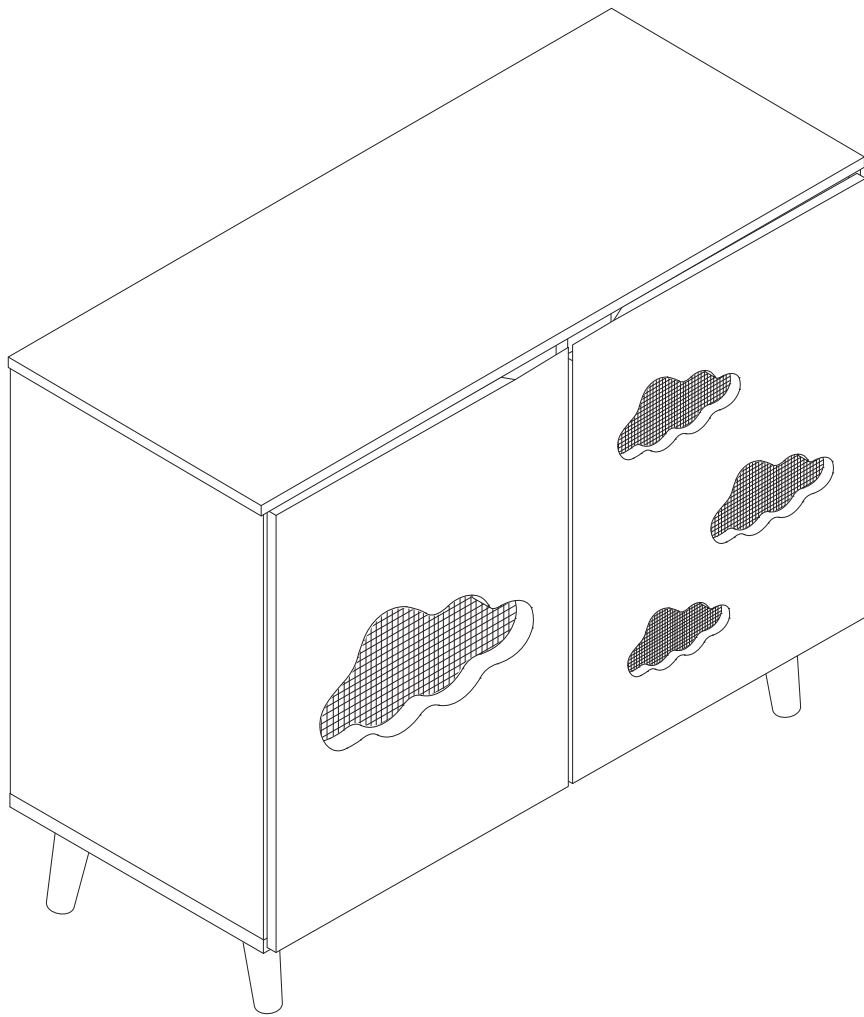
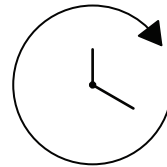
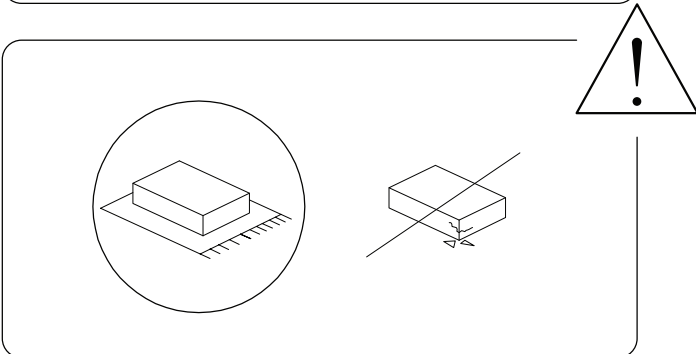
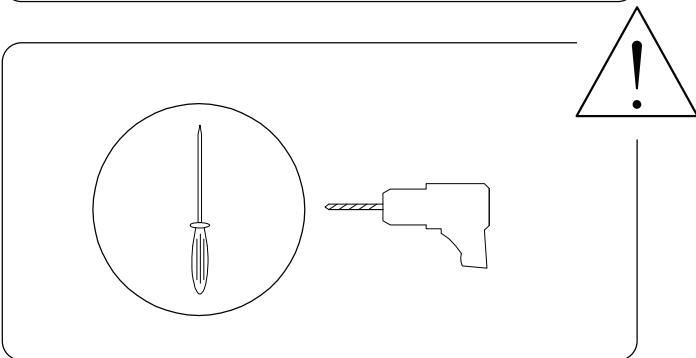
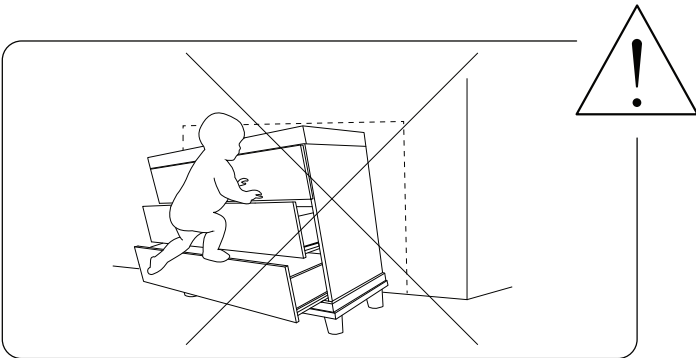
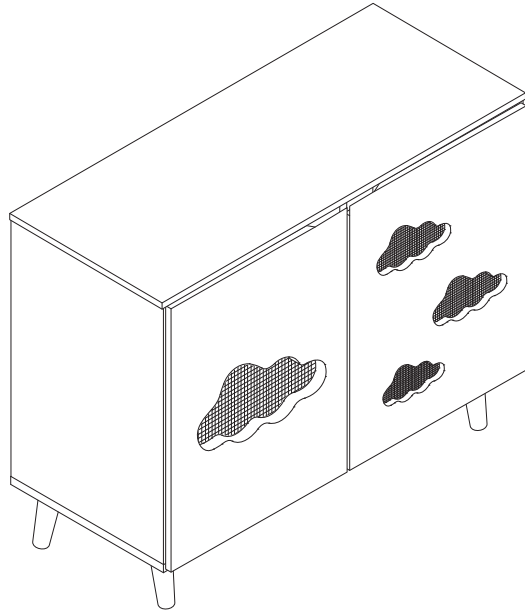
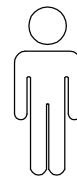


CLOUDY

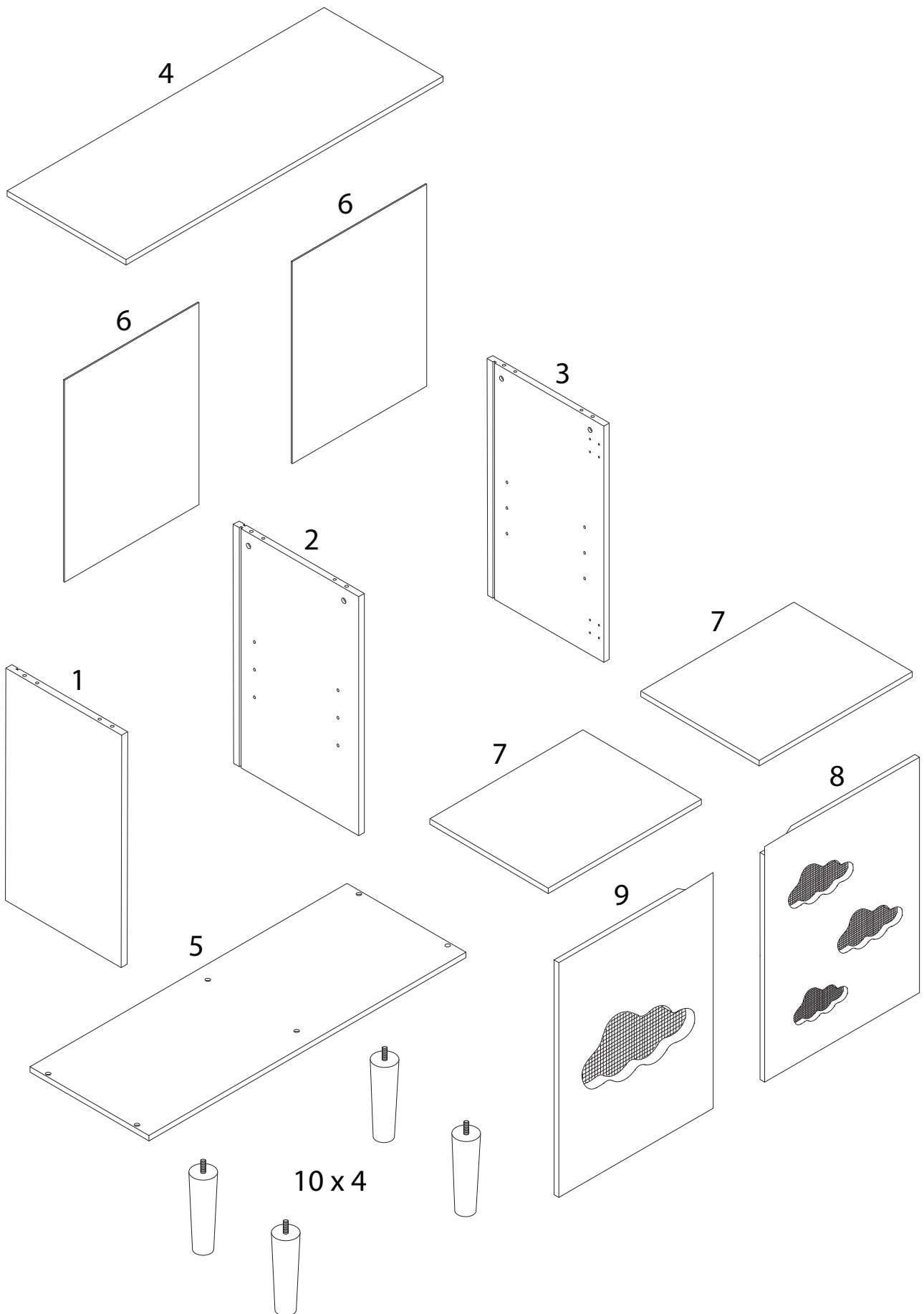




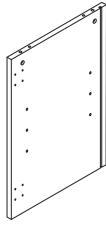
30'



1

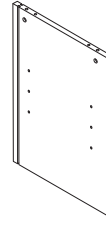


1



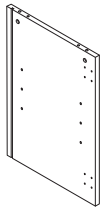
x 1

2



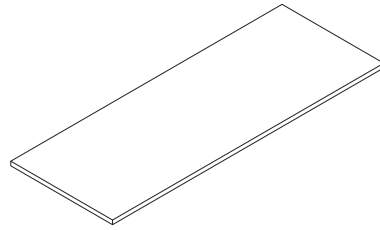
x 1

3



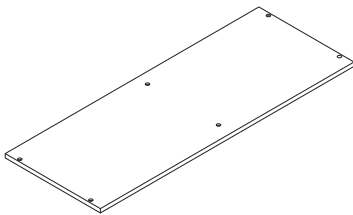
x 1

4



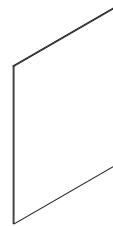
x 1

5



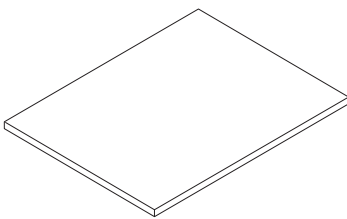
x 1

6



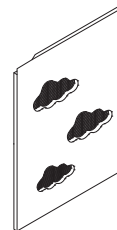
x 2

7



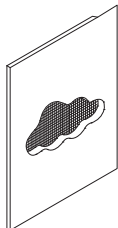
x 2

8



x 1

9



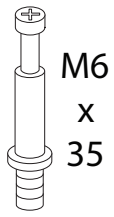
x 1

10



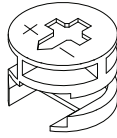
x 4

A



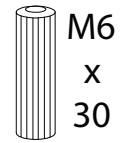
x 6

B



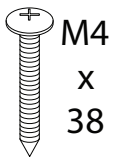
x 6

C



x 12

D



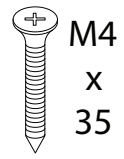
x 2

E



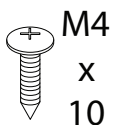
x 24

F



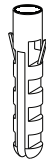
x 6

G



x 22

H



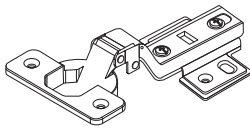
x 2

I



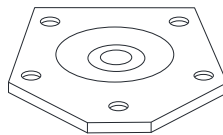
x 8

J



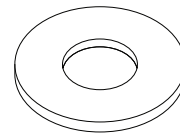
x 4

K



x 4

L



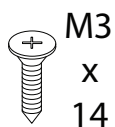
x 4

M



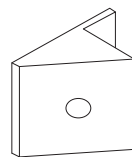
x 2

N



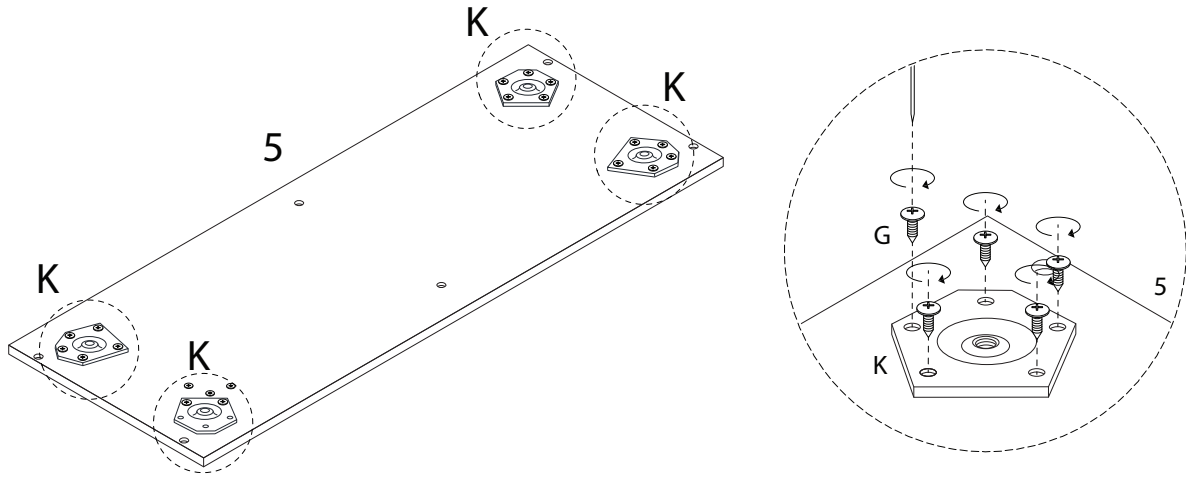
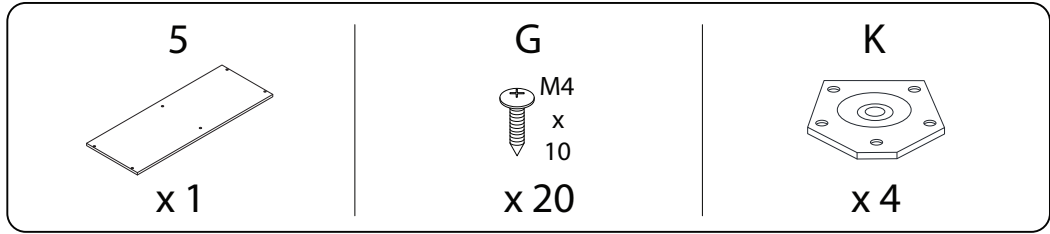
x 10

O

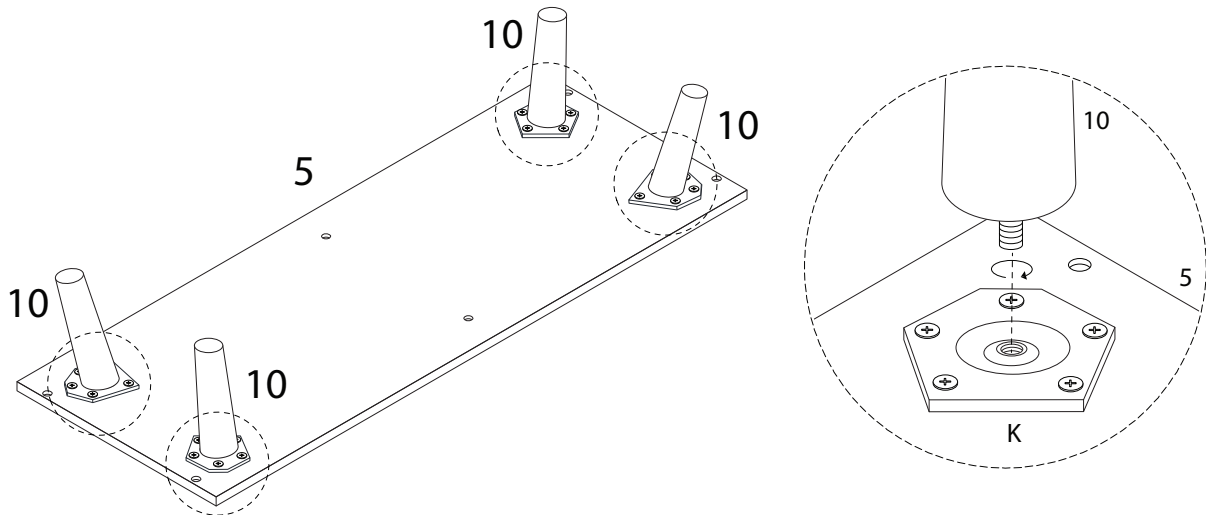
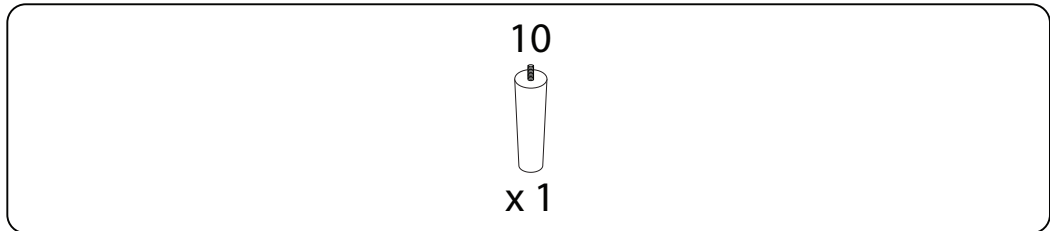


x 10

1

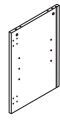


2



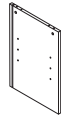
3

1



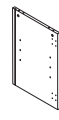
x 1

2



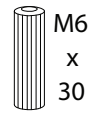
x 1

3

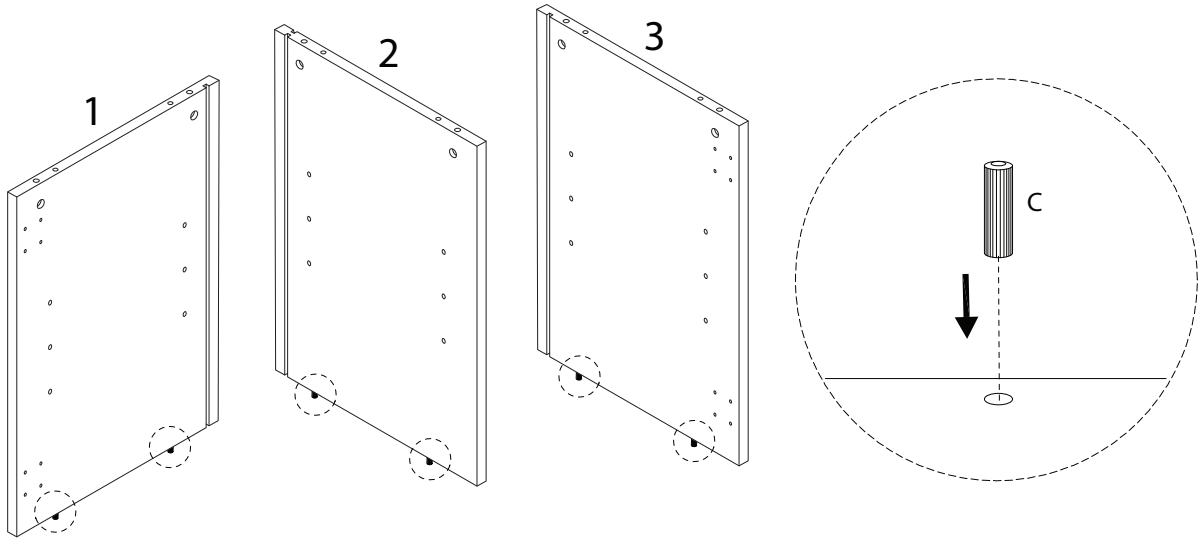


x 1

C



M6
x
30
x 6

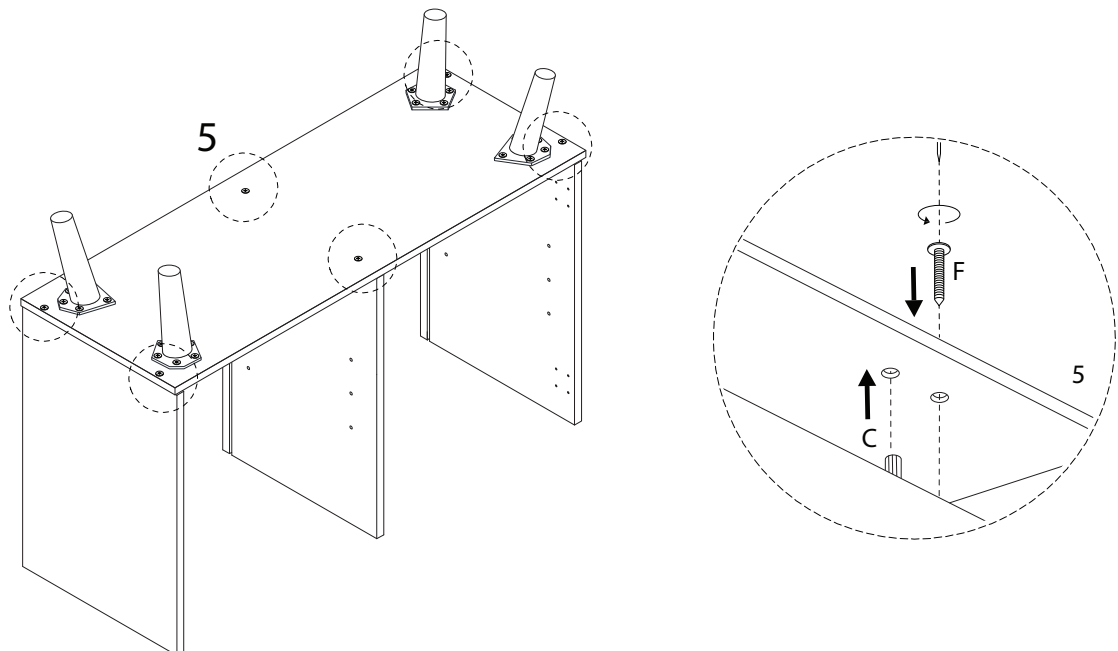


4

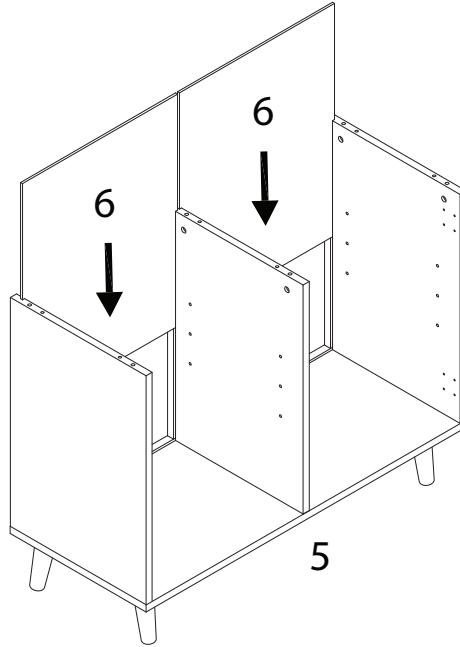
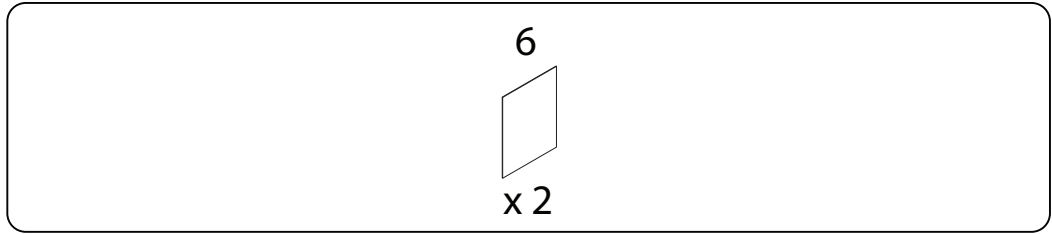
F



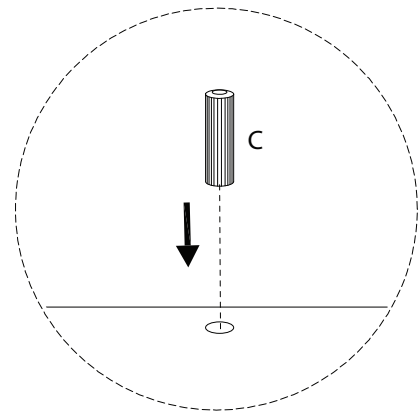
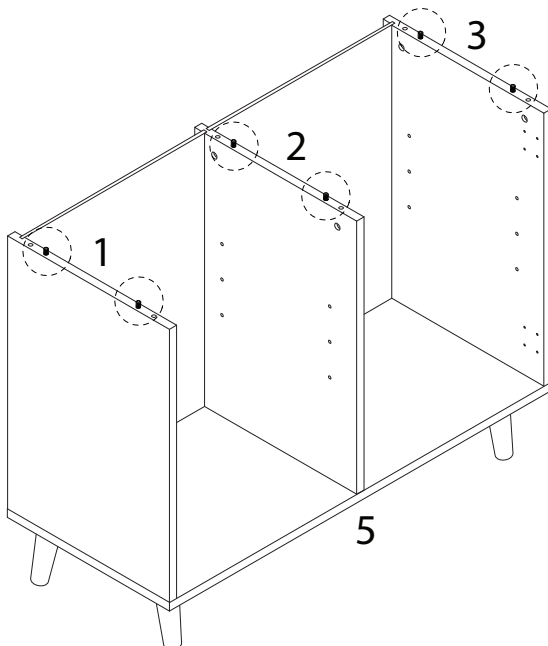
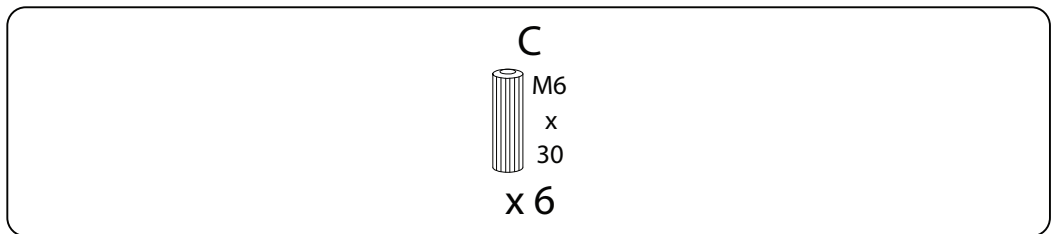
M4
x
35
x 6



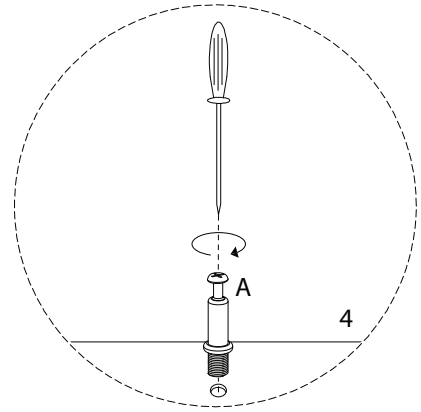
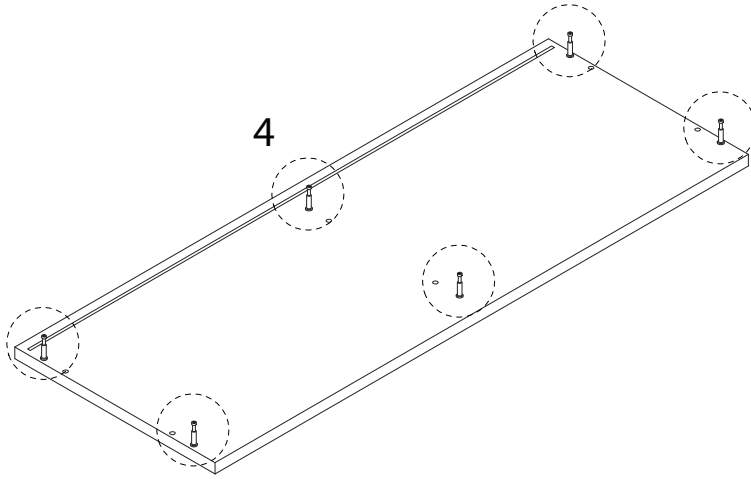
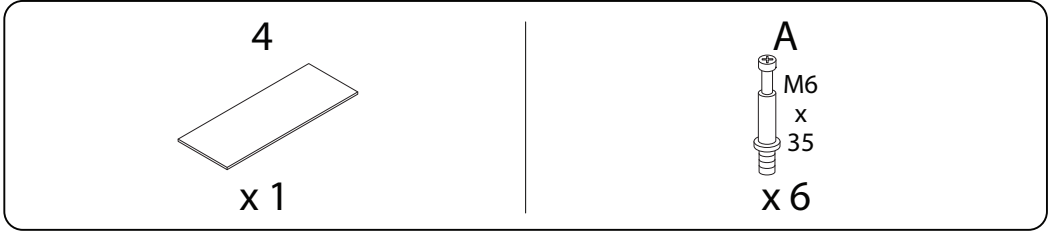
5



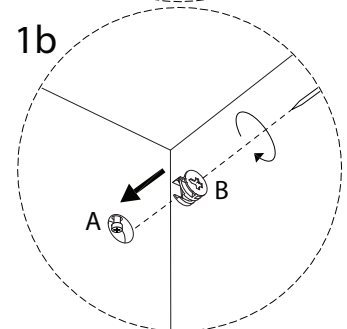
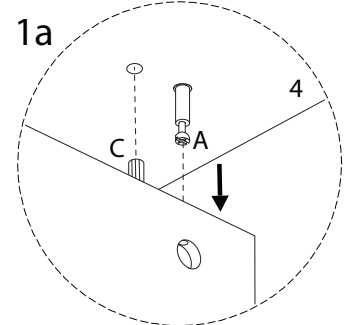
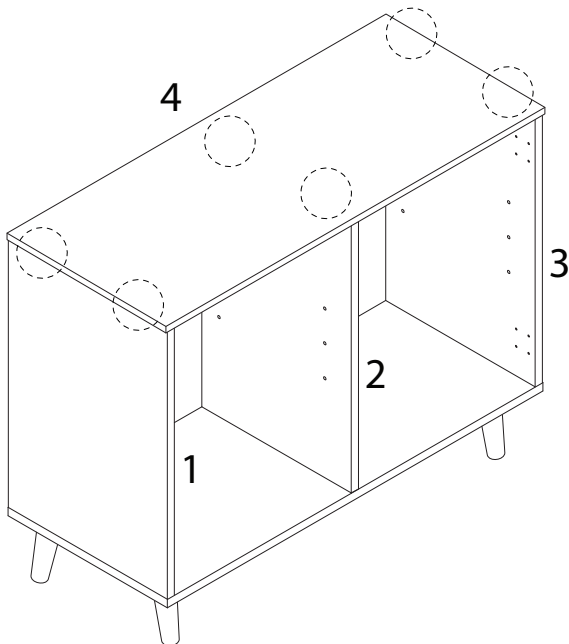
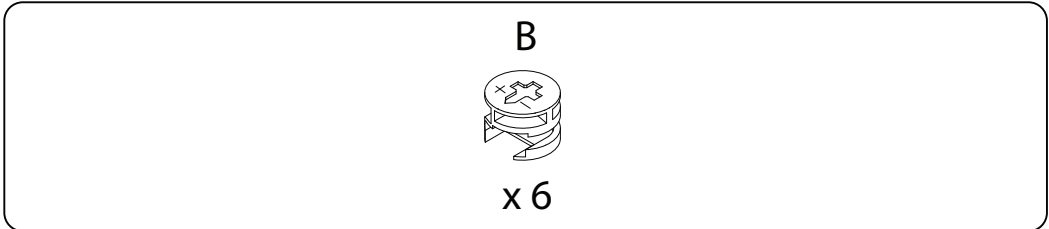
6



7

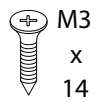


8



9

N

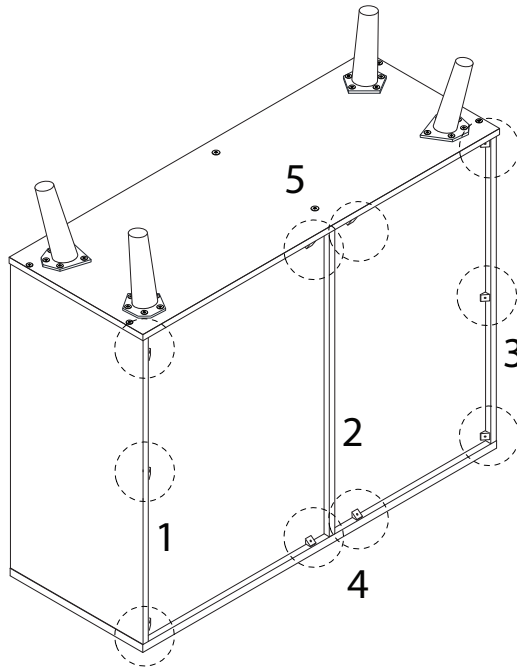


x 10

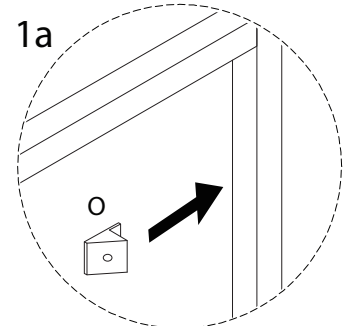
O



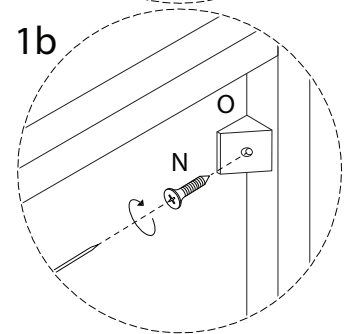
x 10



1a

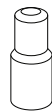


1b

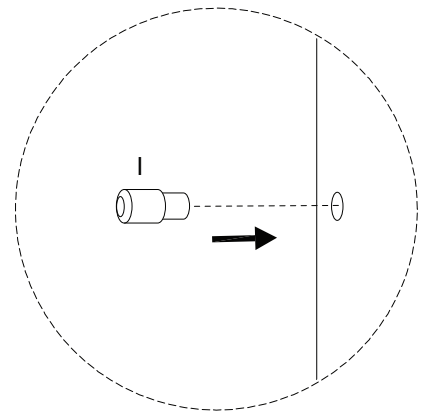
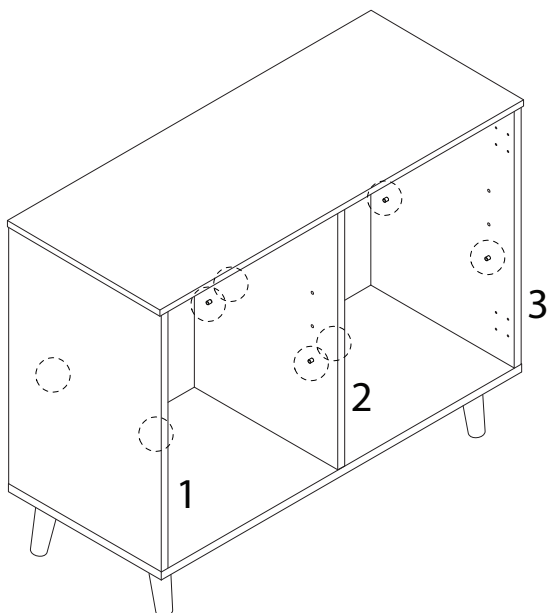


10

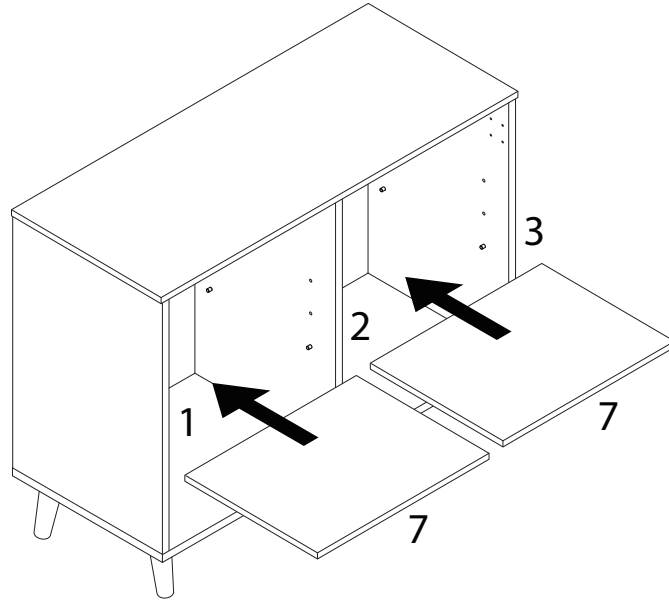
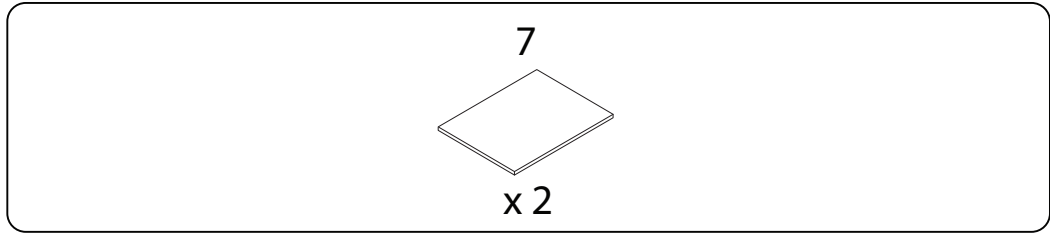
I



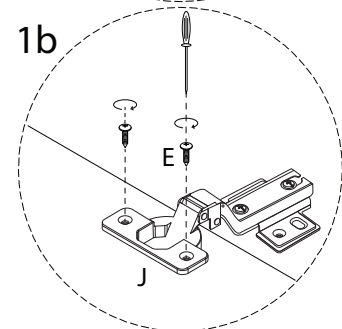
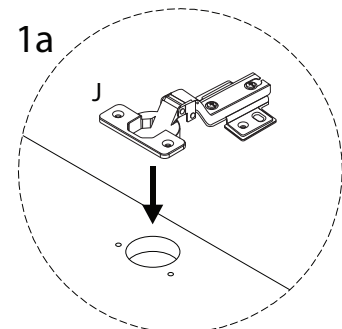
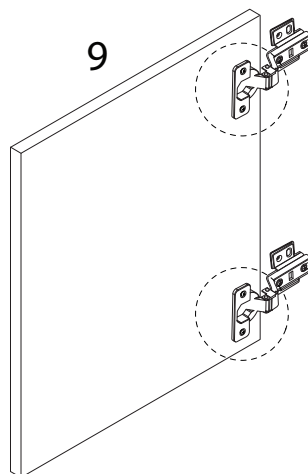
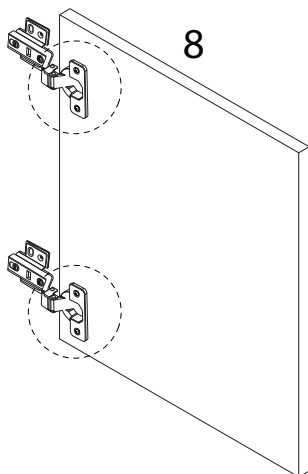
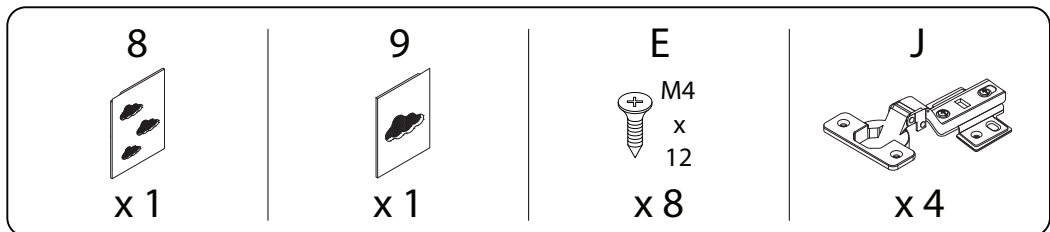
x 8



11



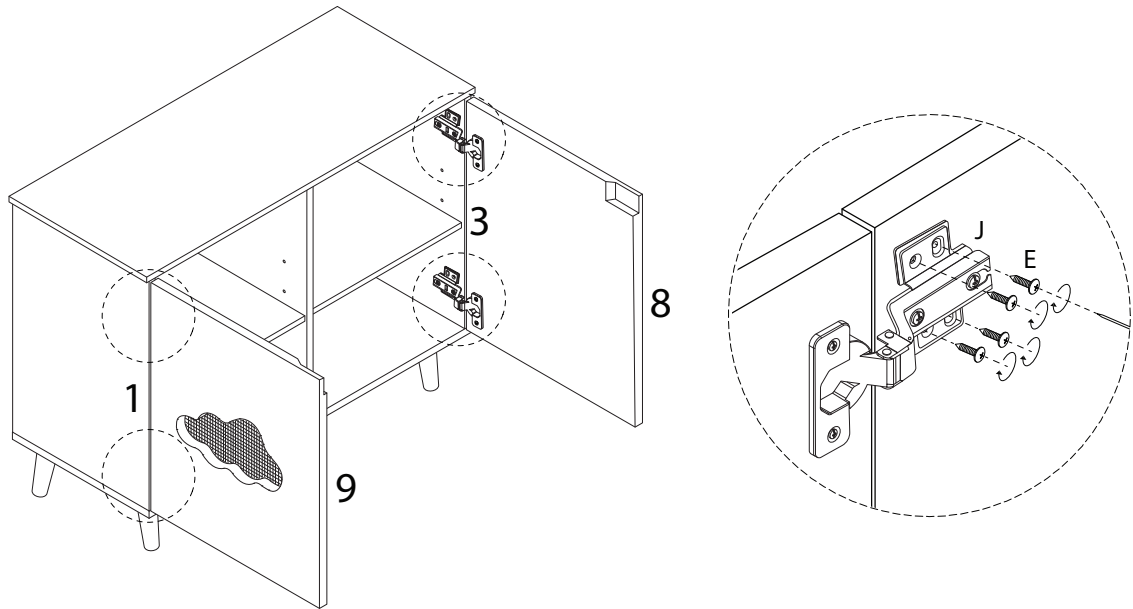
12



13

E

M4
x
10
x 16



14

G

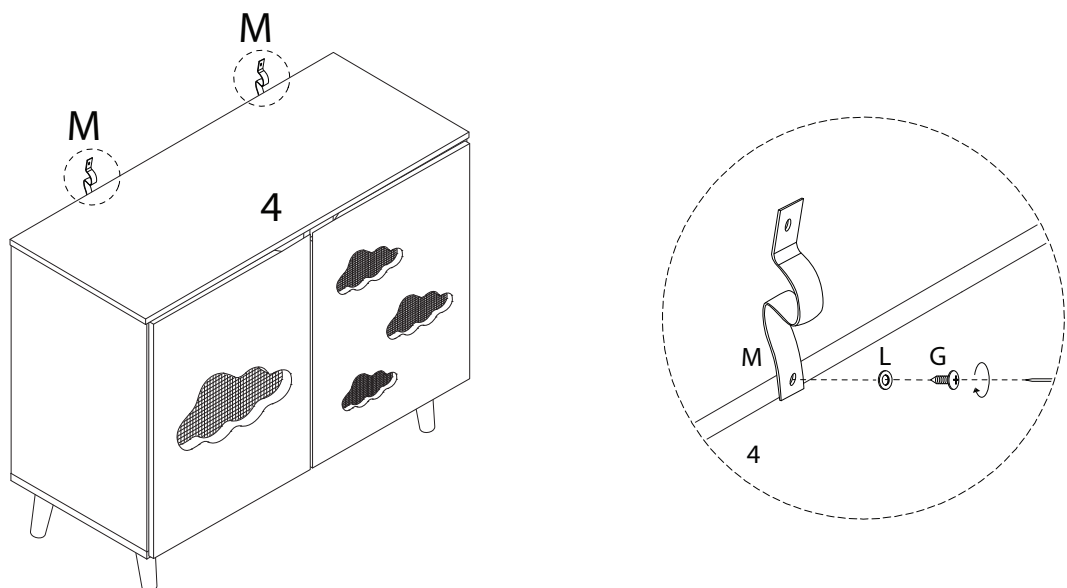
M4
x
10
x 2

L

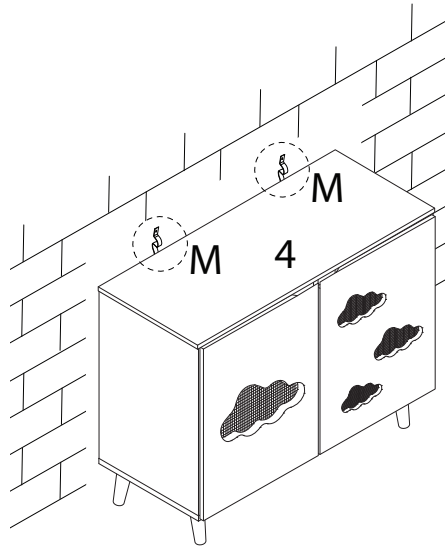
x 2

M

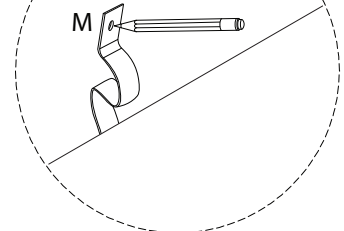
x 2



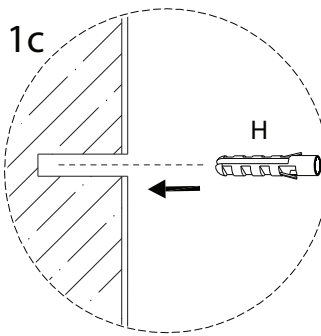
15



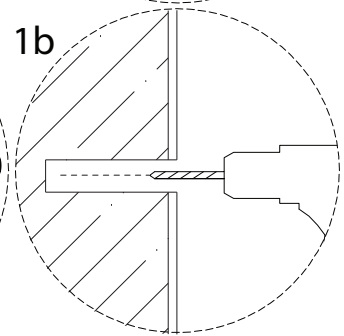
1a



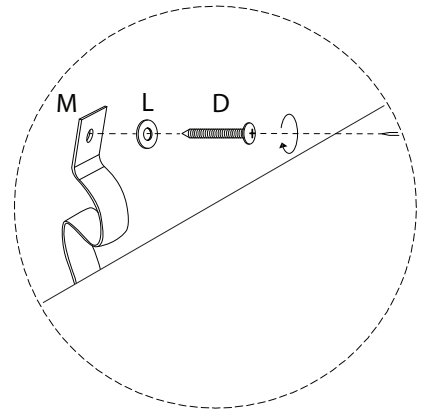
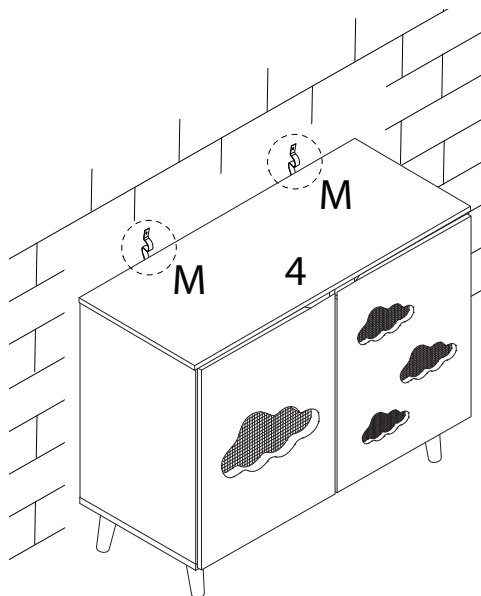
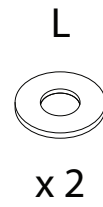
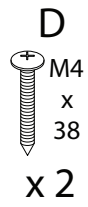
1c



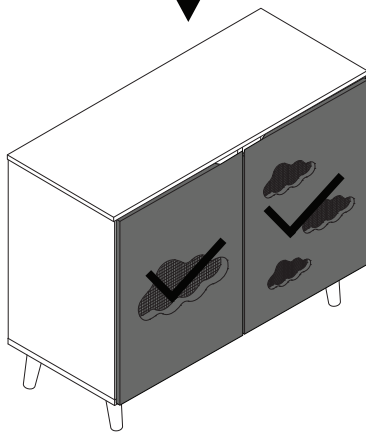
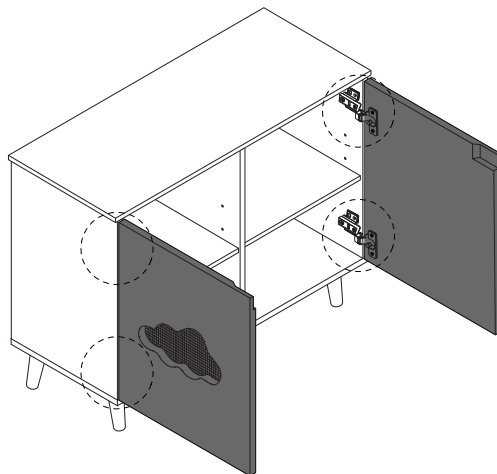
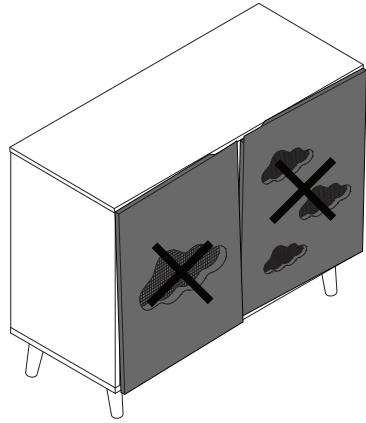
1b



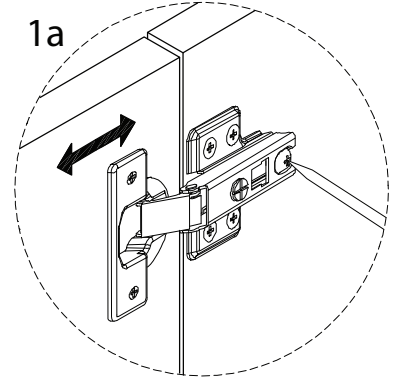
16



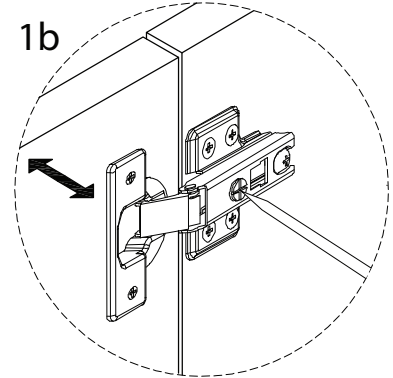
17



1a



1b



1c

