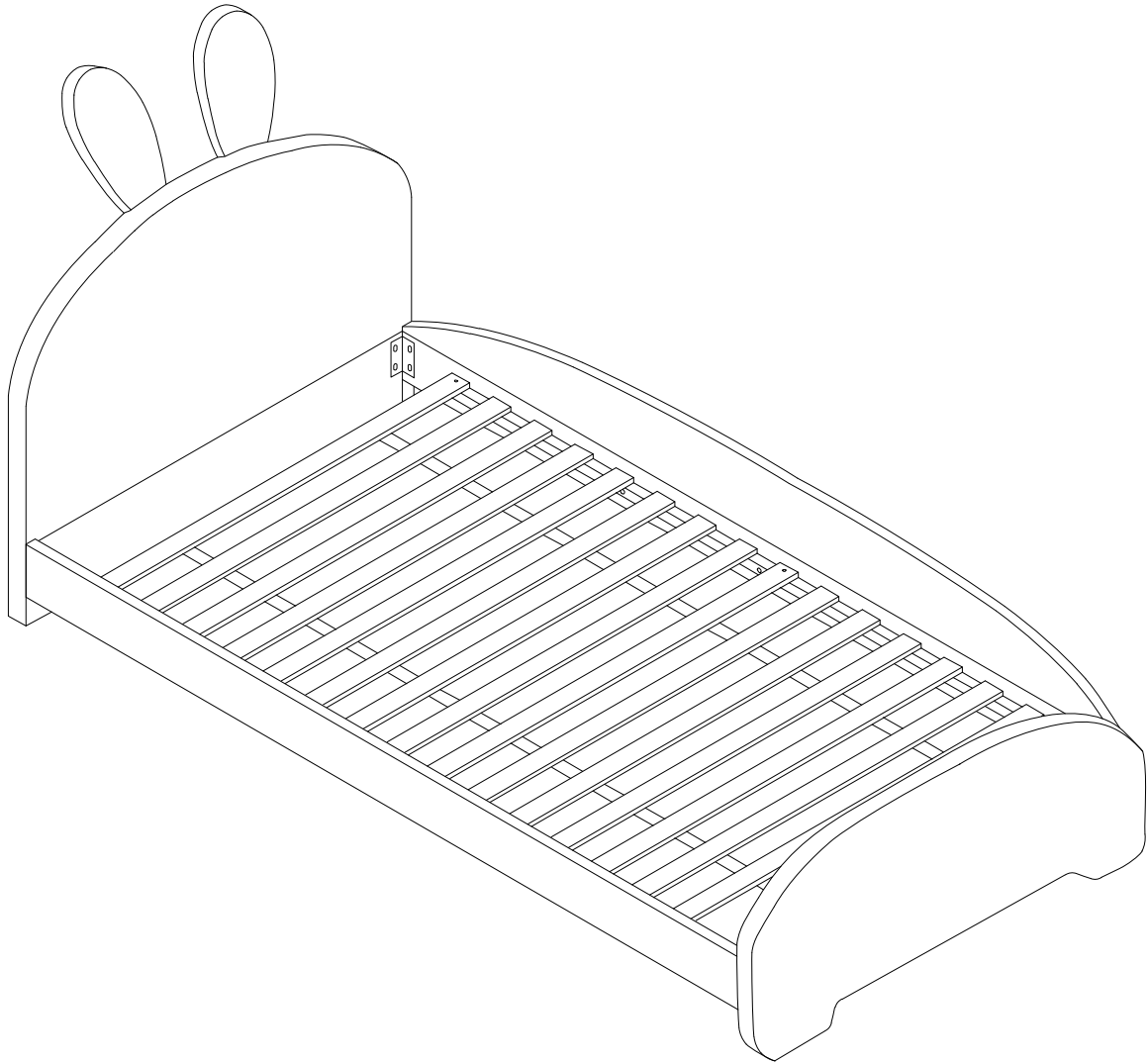
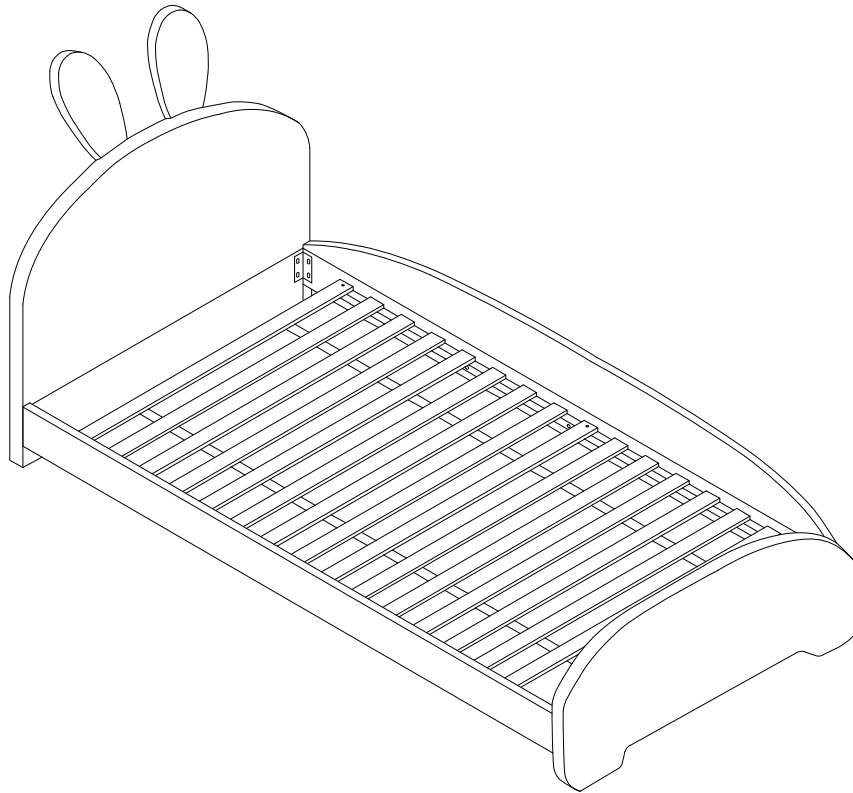
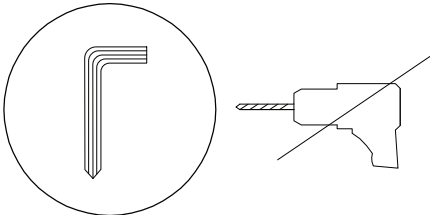

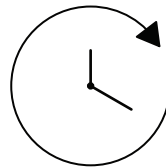
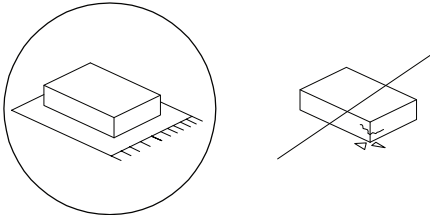

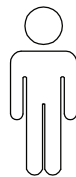
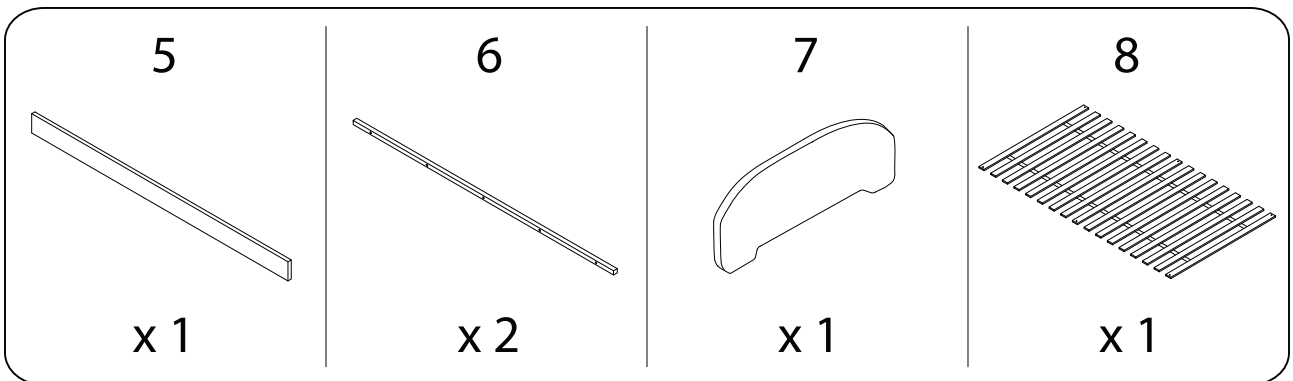
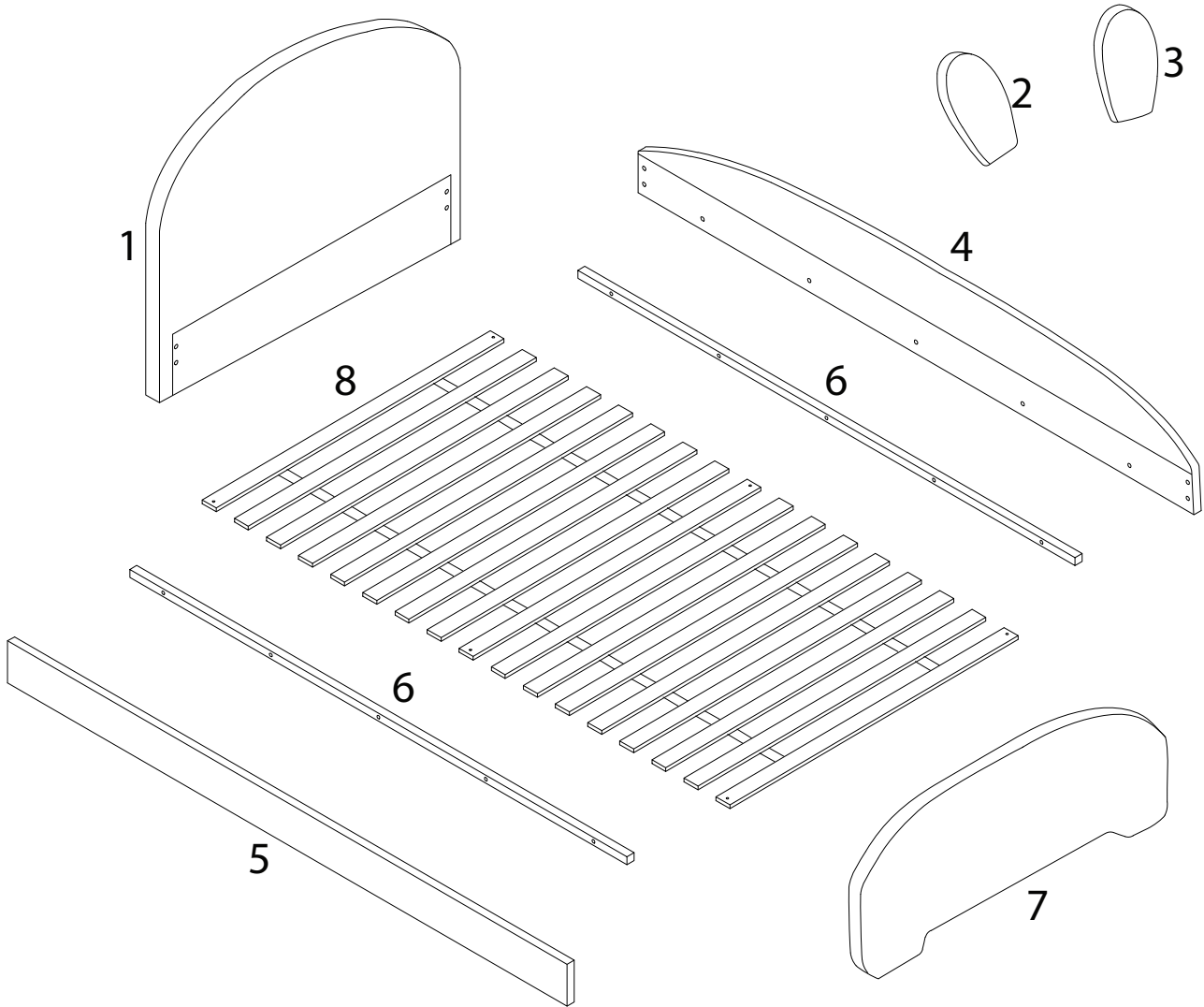
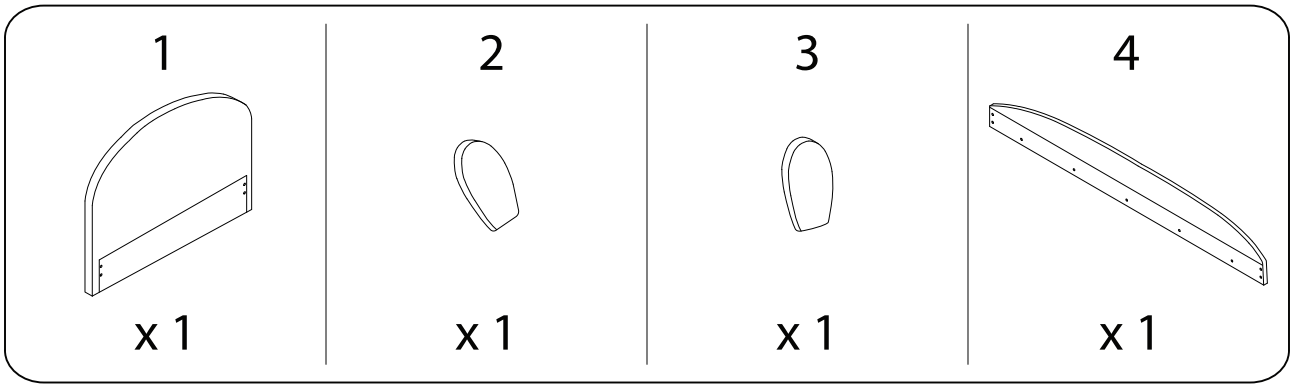


PERROS





		
		20'
		
		2

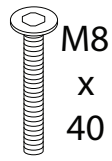


A



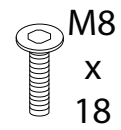
x 1

B



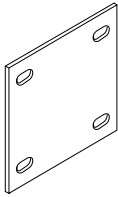
x 10

C



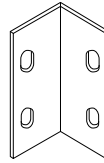
x 24

D



x 2

E



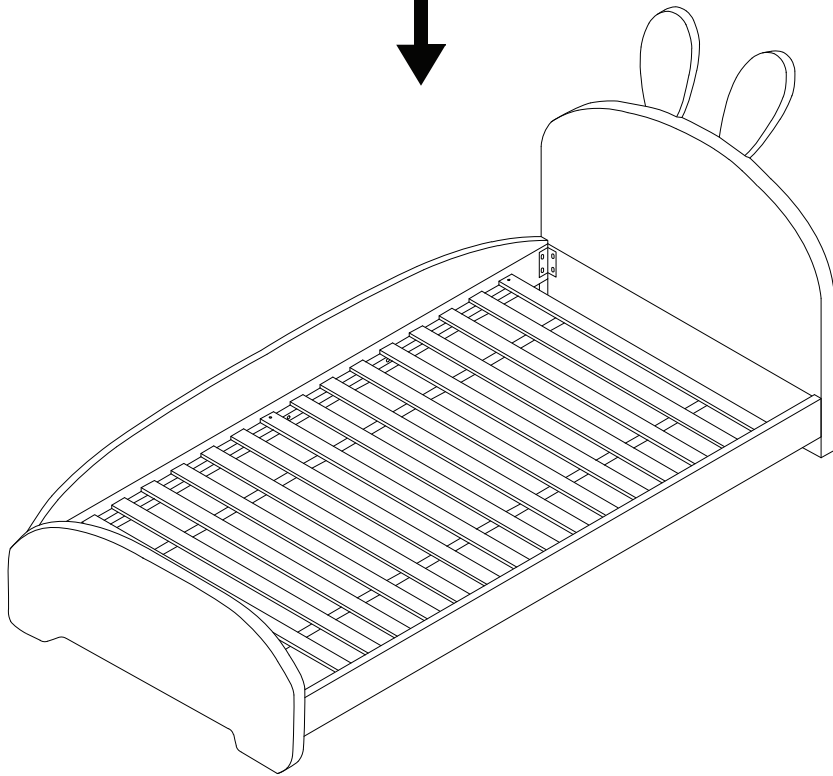
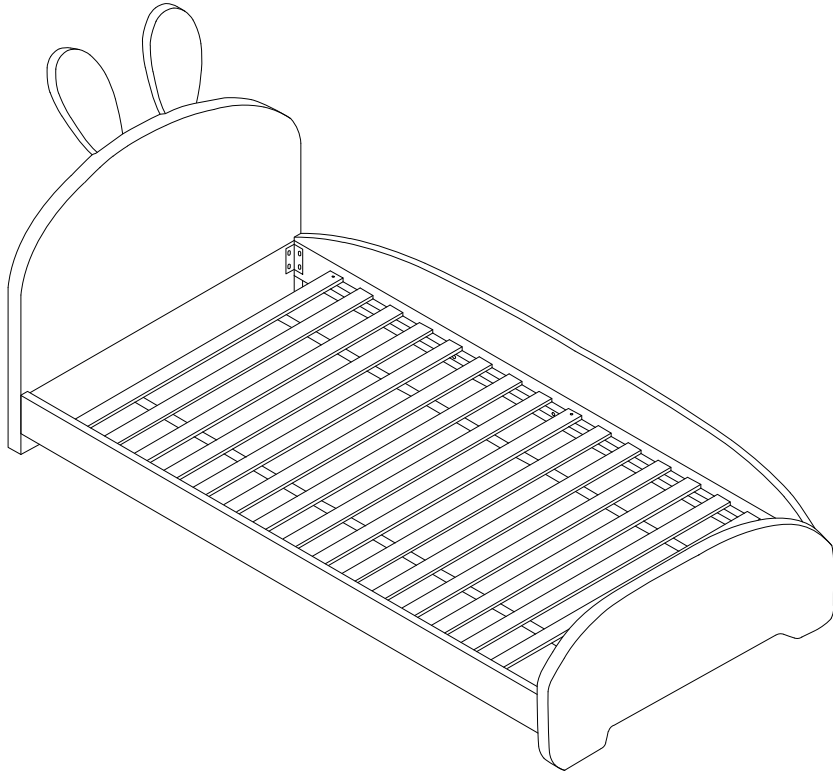
x 4

F

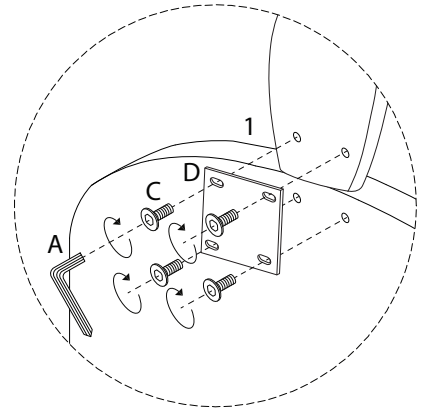
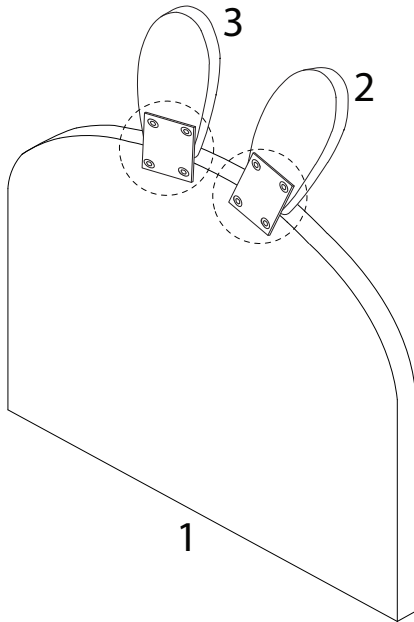
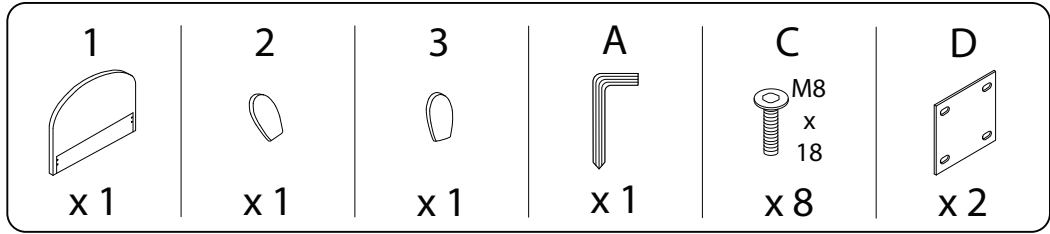


x 6

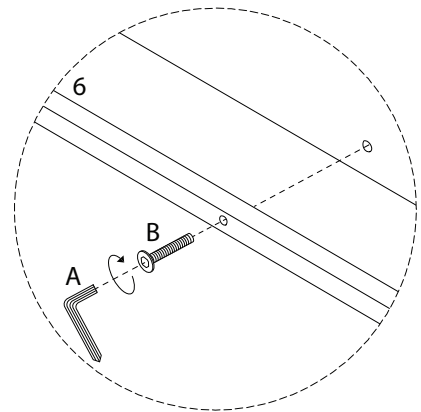
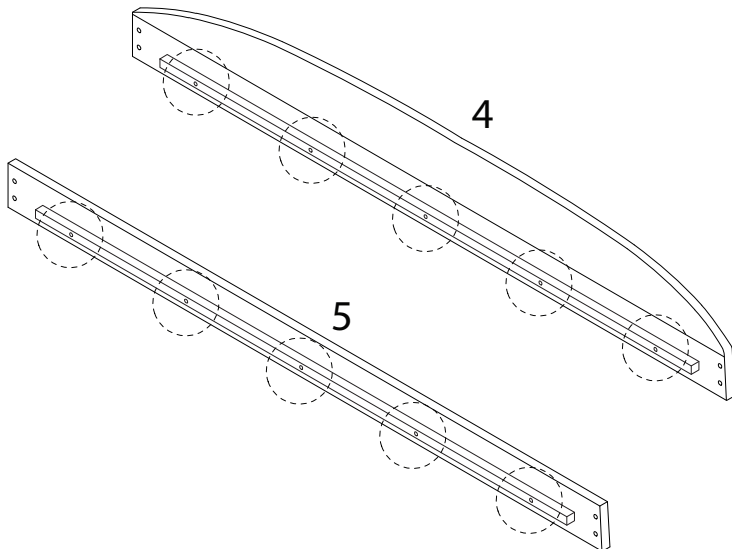
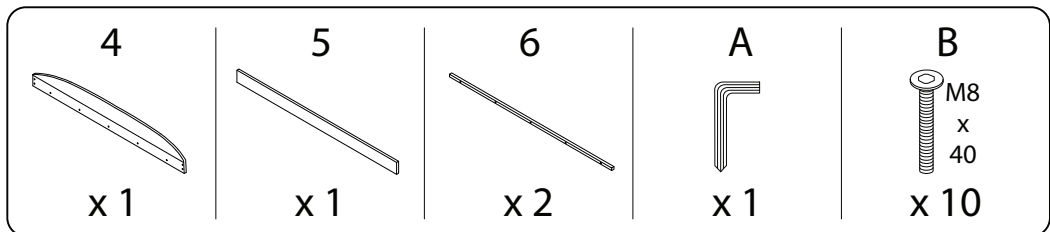
!



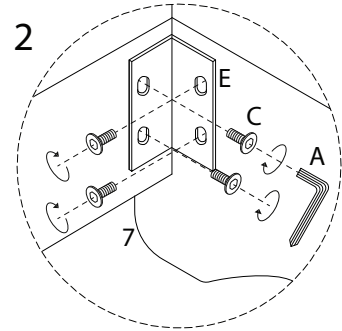
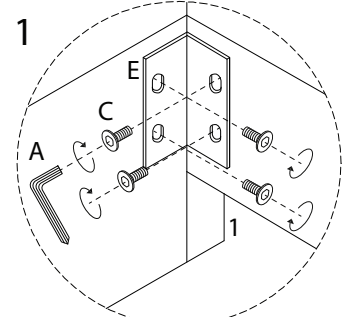
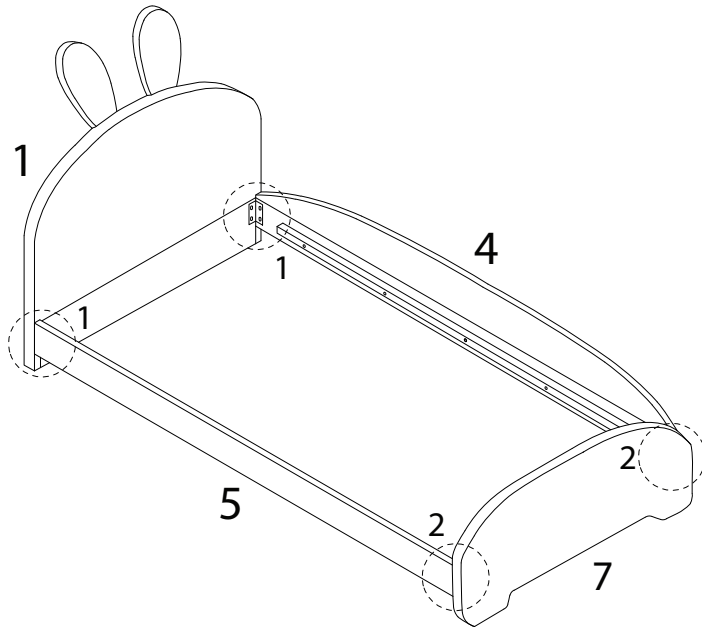
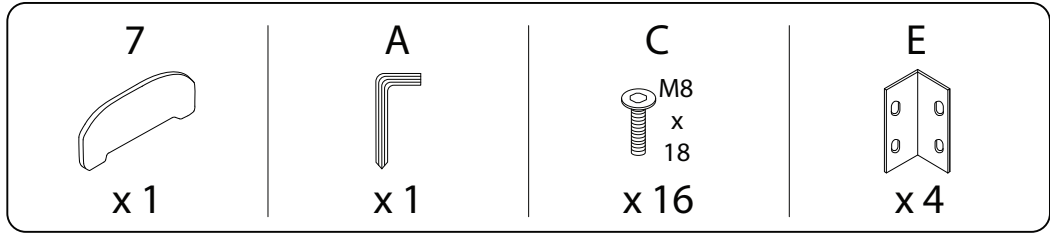
1



2



3



4

