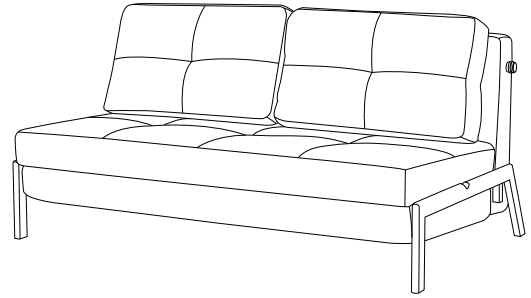
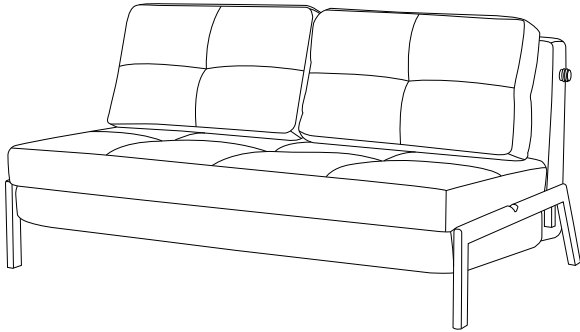


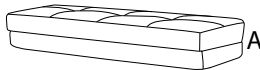
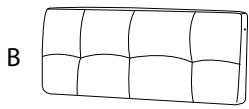
EDLAND



1/4

459/EDLAND/280225/

| | | | | |
|--------------------|--------------------|--------------------|--------------------|--------------------|
| A x1 | B x1 | C x2 | D x1 | E x1 |
|--------------------|--------------------|--------------------|--------------------|--------------------|



| | | | |
|--------------------|--------------------|--------------------|--------------------|
| F x1 | G x1 | H x1 | I x2 |
| J x4 | K x4 | L x4 | M x4 |

1

| | | | | | |
|--------------------|--------------------|--------------------|--------------------|------------------------------|--------------------|
| D x1 | E x1 | F x1 | M x4 | J M6 x 49 x5 | G x1 |
|--------------------|--------------------|--------------------|--------------------|------------------------------|--------------------|

1a

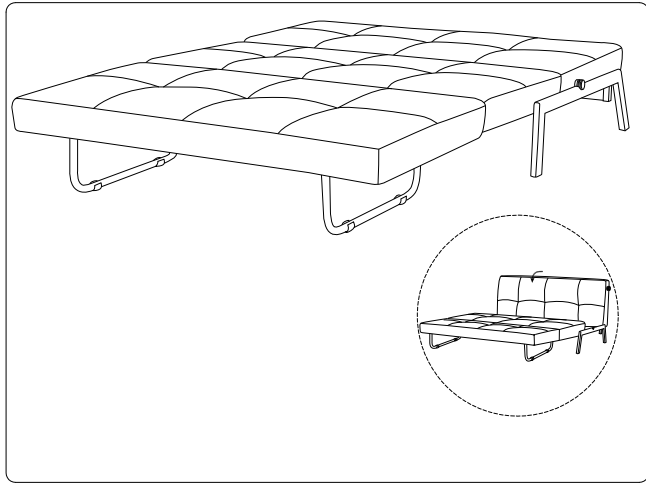
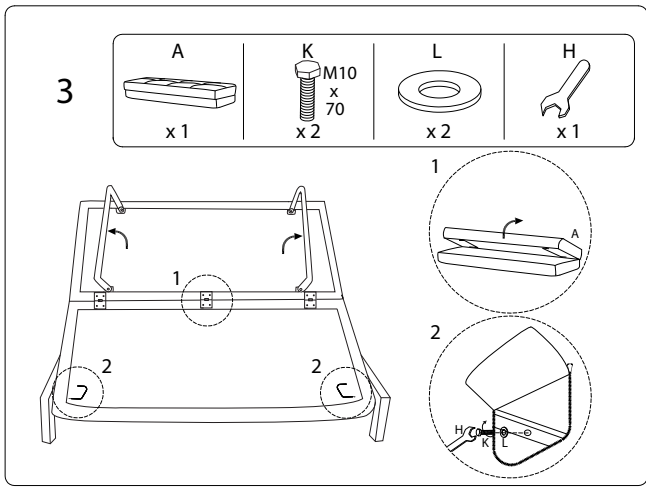
 1b

2

| | | | | |
|--------------------|-------------------------------|--------------------|--------------------|--------------------|
| B x1 | K M10 x 70 x2 | L x2 | H x1 | I x2 |
|--------------------|-------------------------------|--------------------|--------------------|--------------------|

1

 2



4/4