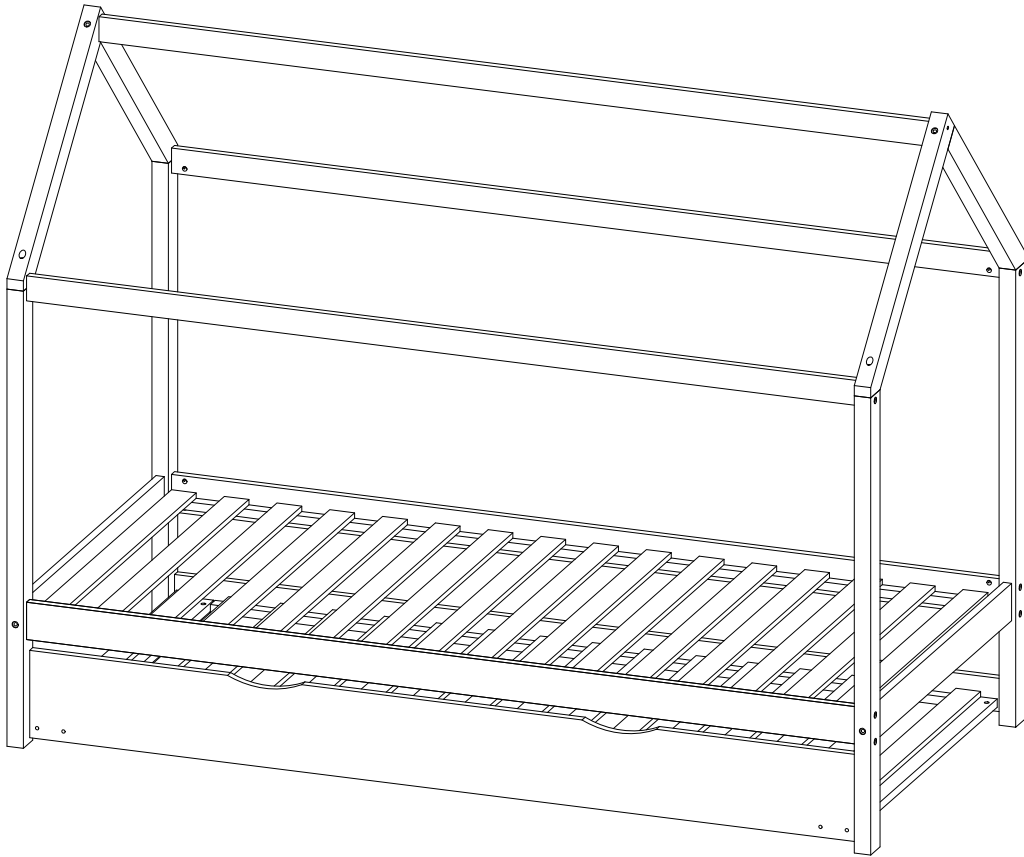
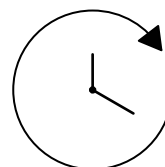
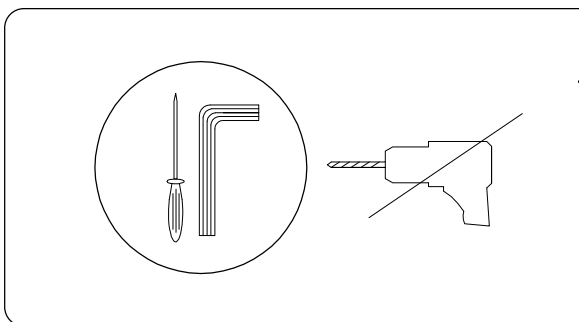
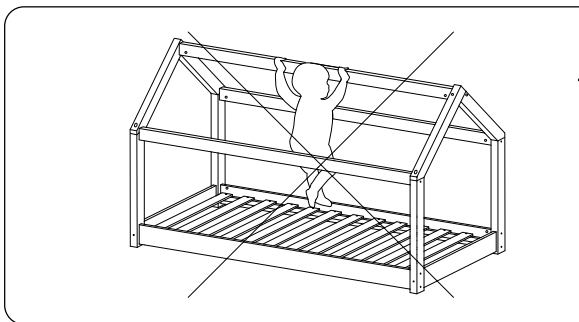
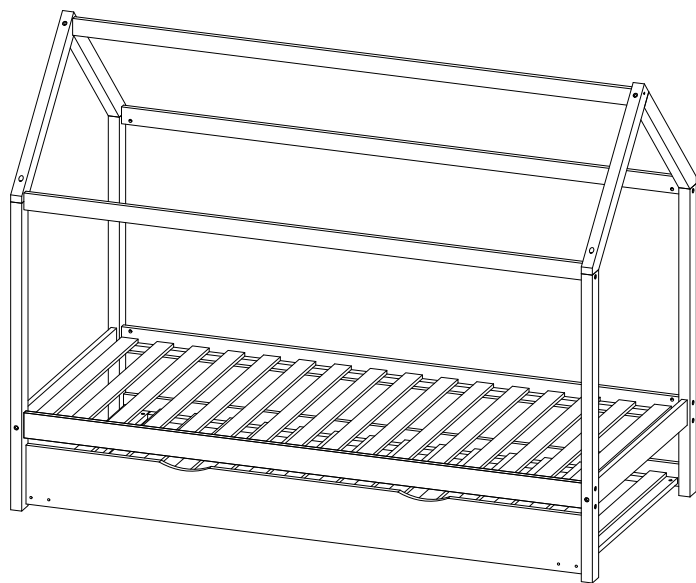
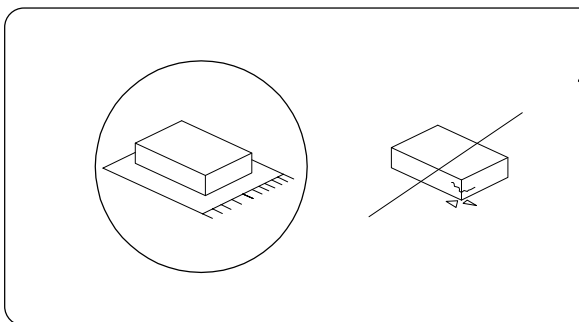


# CRILLON

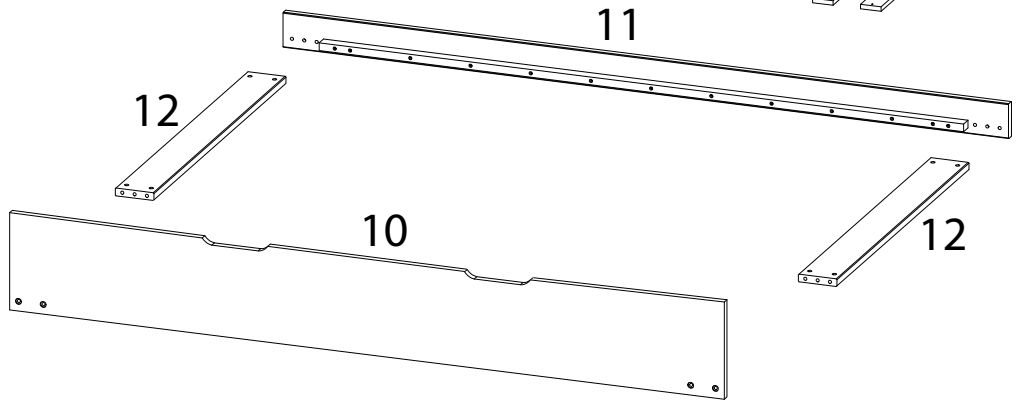
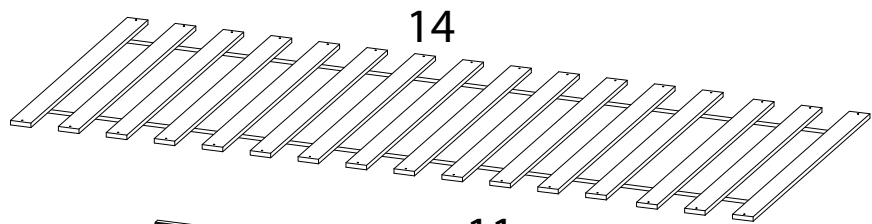
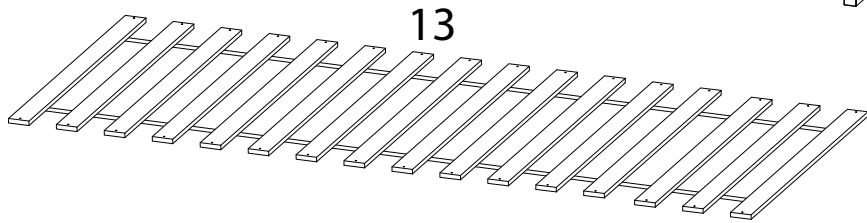
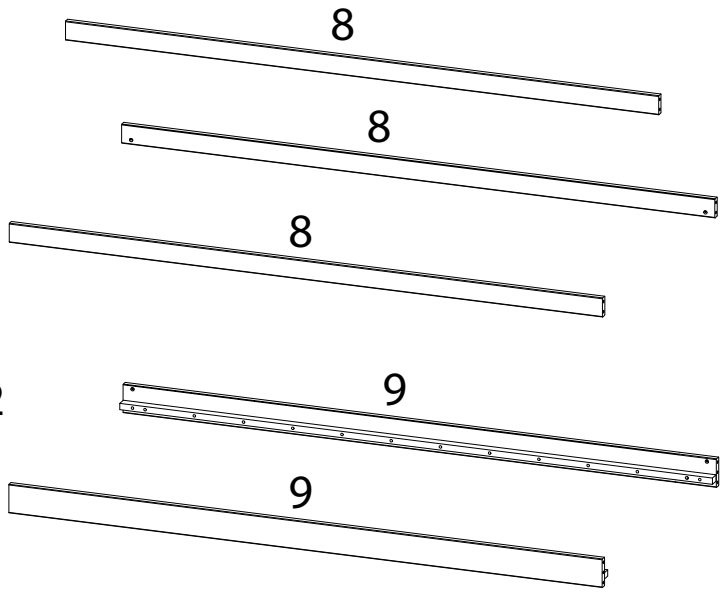
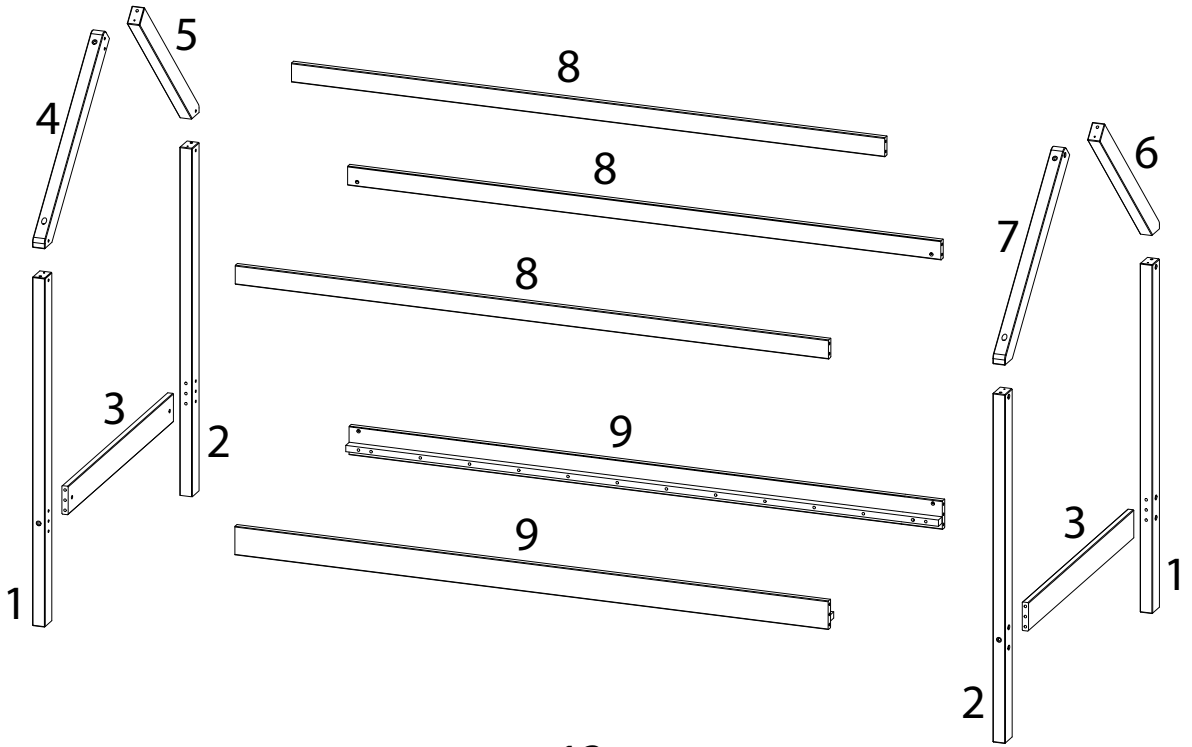




45'



2



1



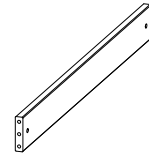
x 2

2



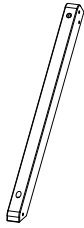
x 2

3



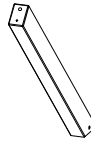
x 2

4



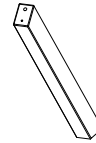
x 1

5



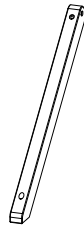
x 1

6



x 1

7



x 1

8



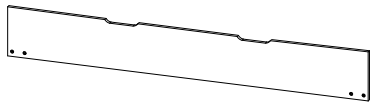
x 3

9



x 2

10



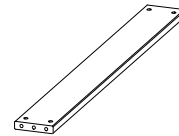
x 1

11



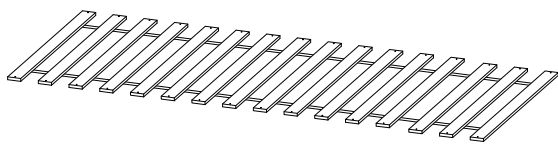
x 1

12



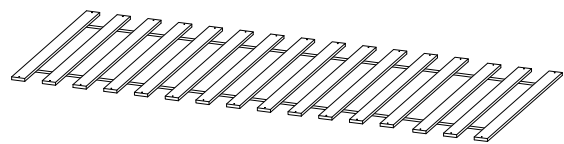
x 2

13

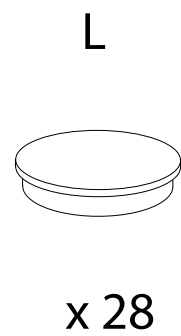
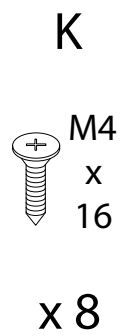
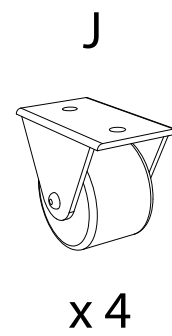
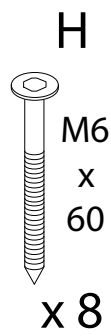
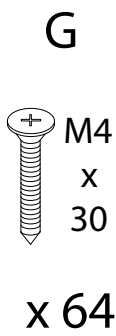
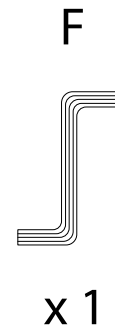
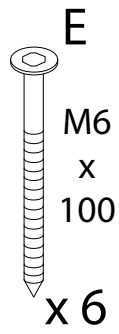
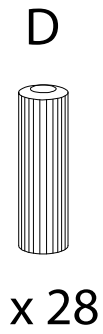
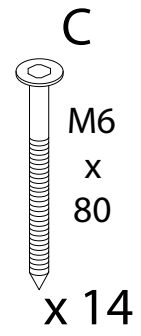
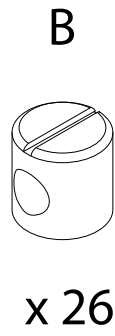
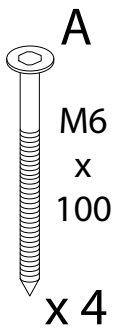


x 1

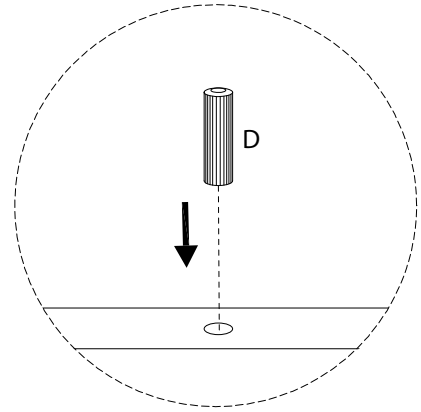
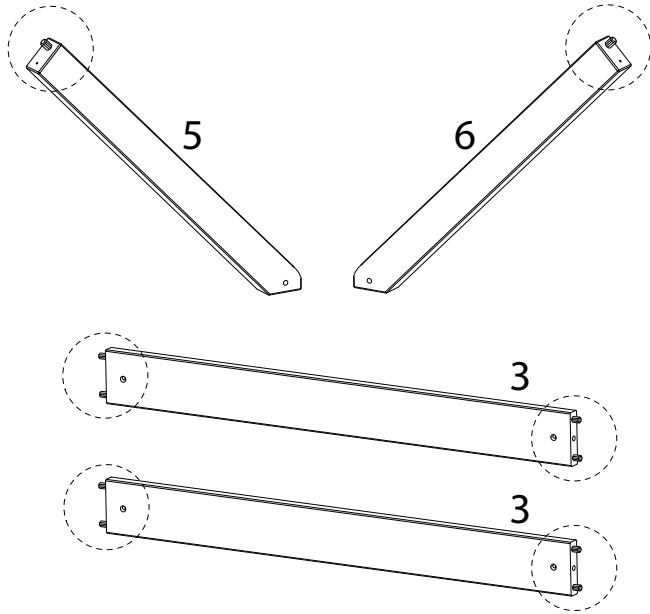
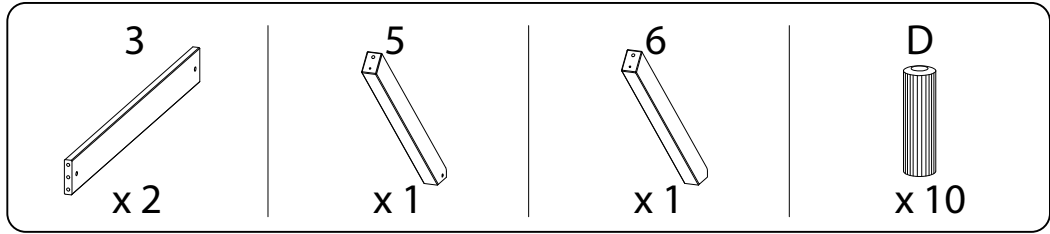
14



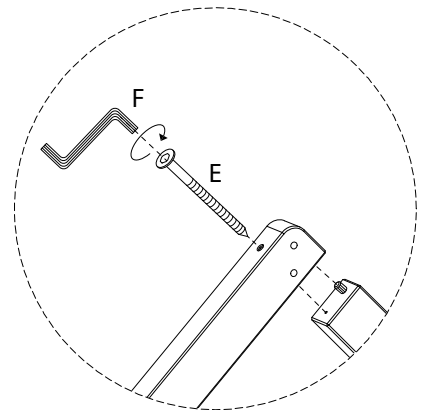
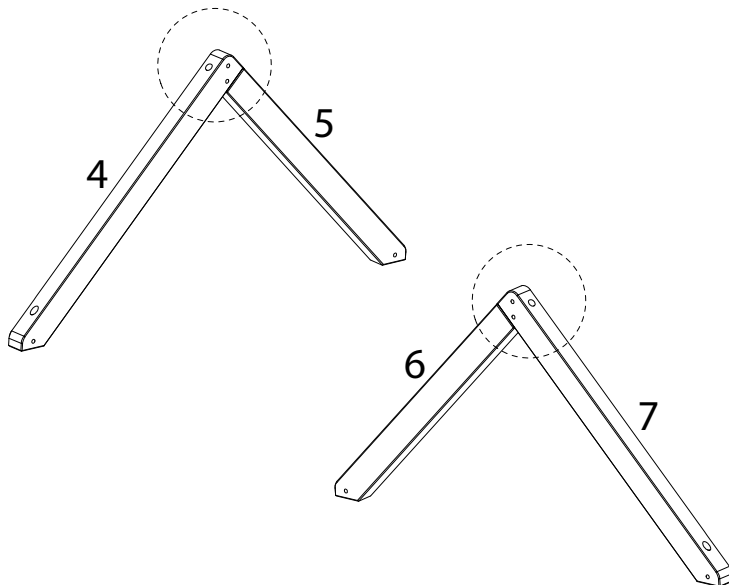
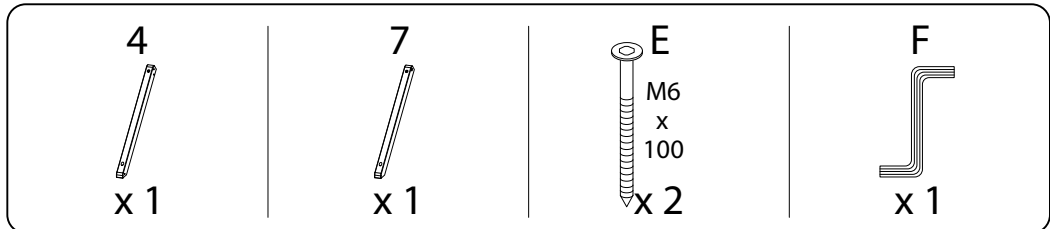
x 1



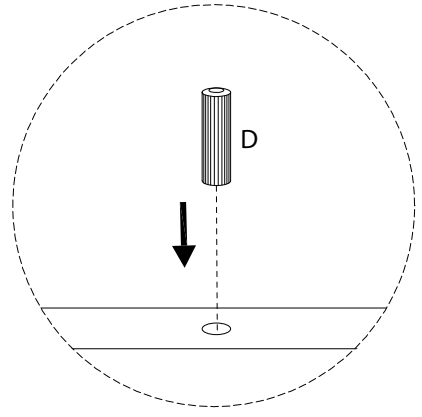
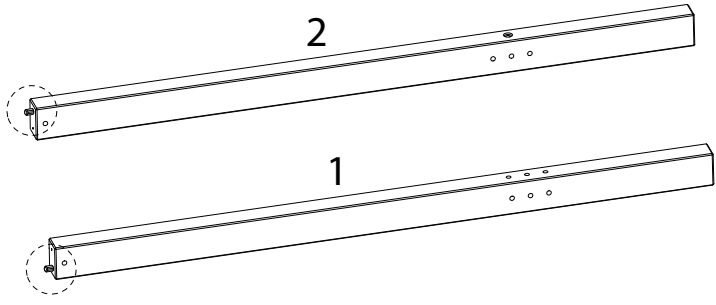
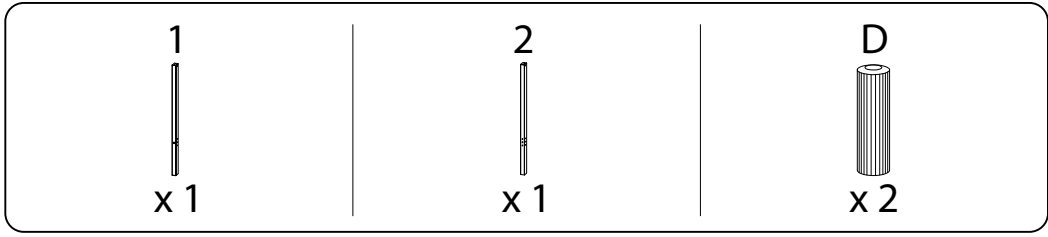
1



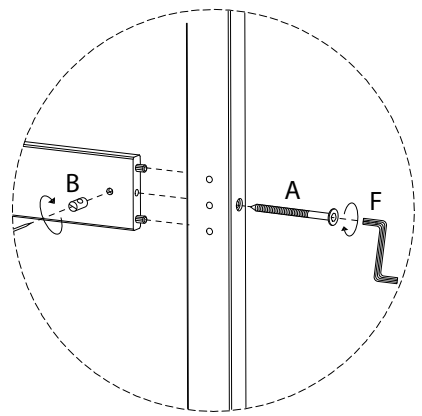
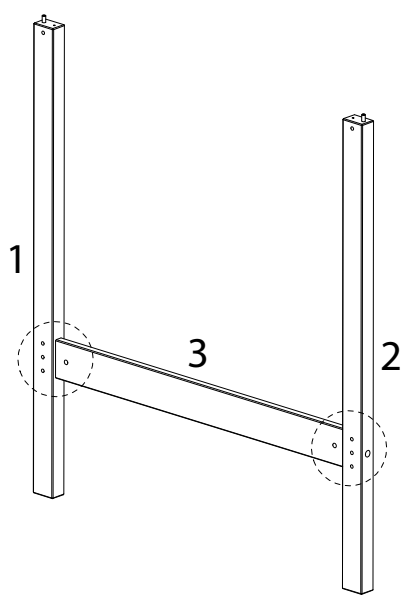
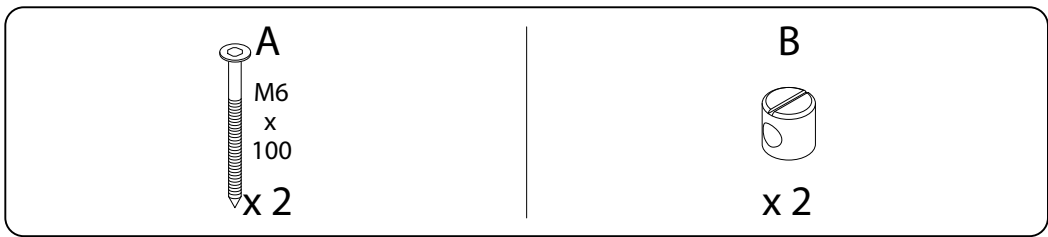
2



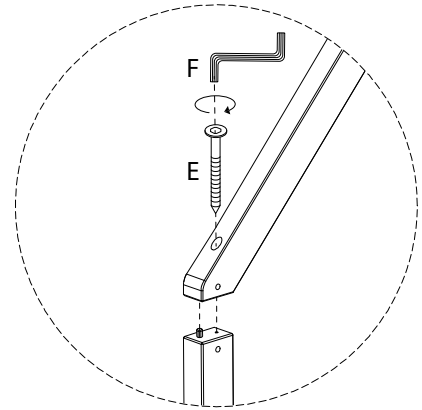
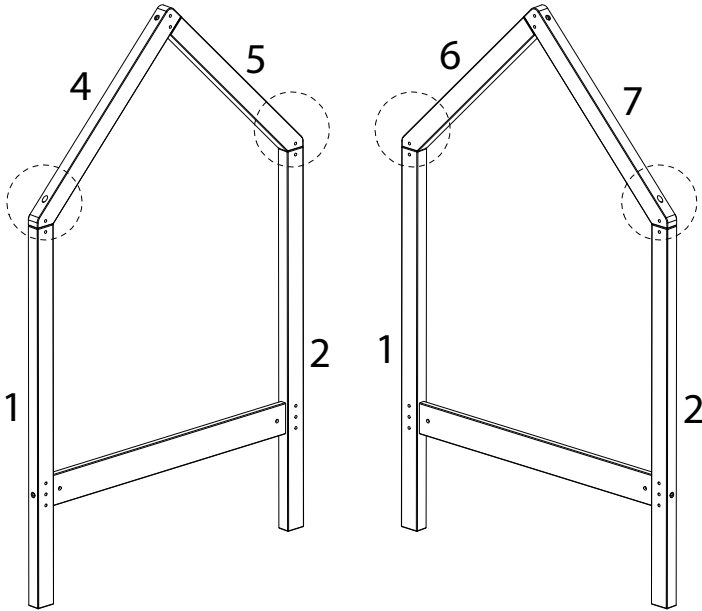
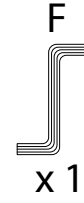
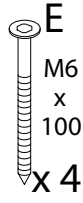
3 x 2



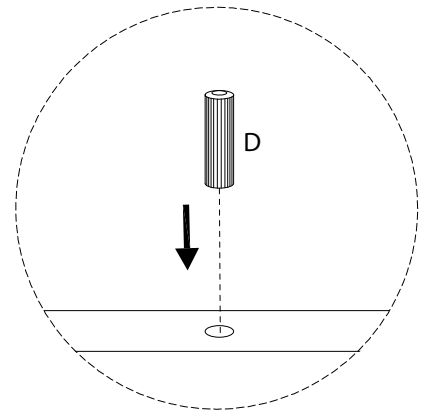
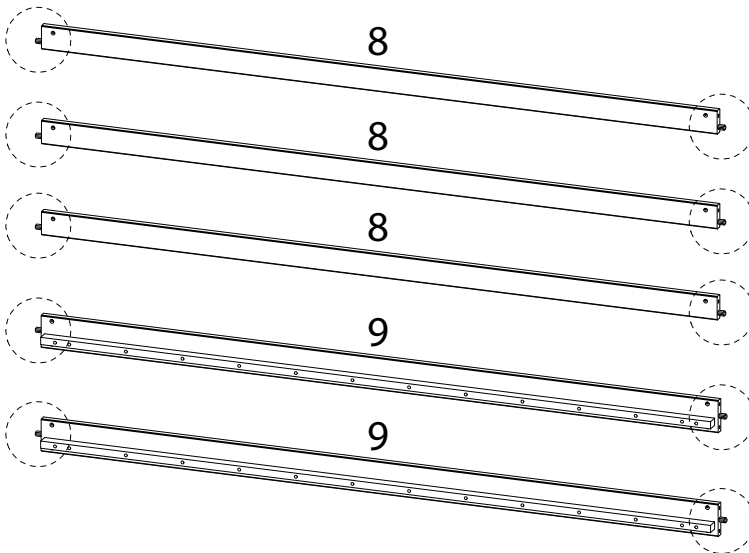
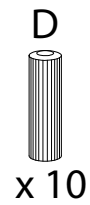
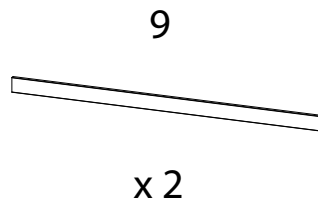
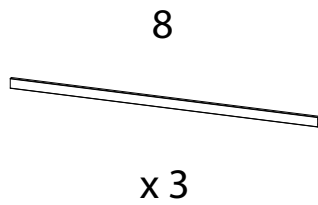
4 x 2



5



6





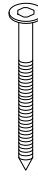
7

B



x 8

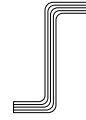
C



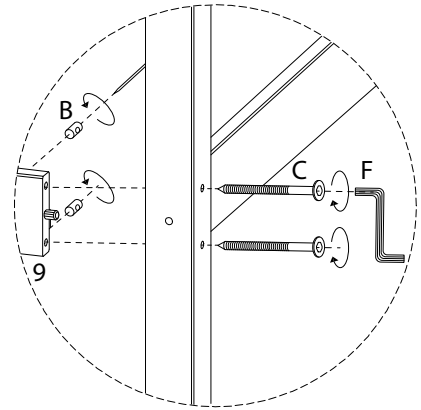
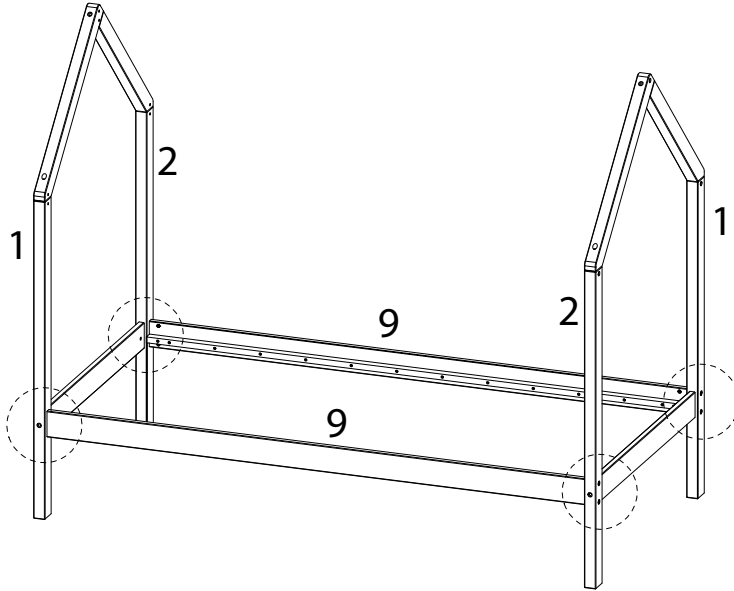
M6  
x  
80

x 8

F



x 1



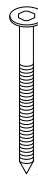
8

B



x 6

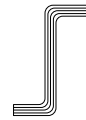
C



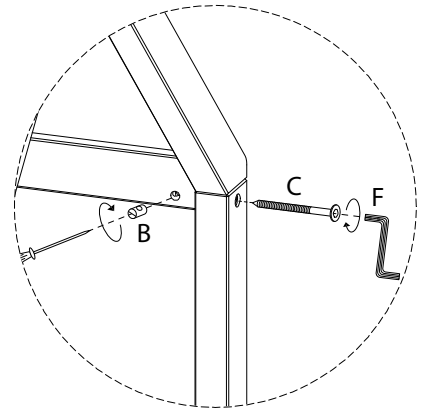
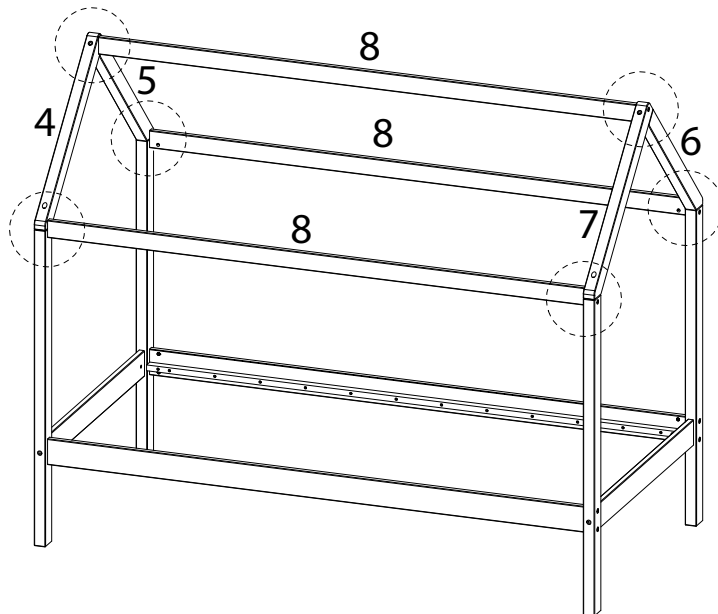
M6  
x  
80

x 6

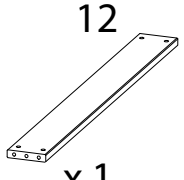



F

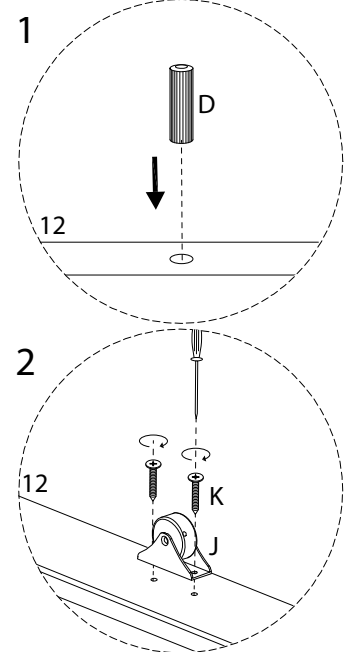
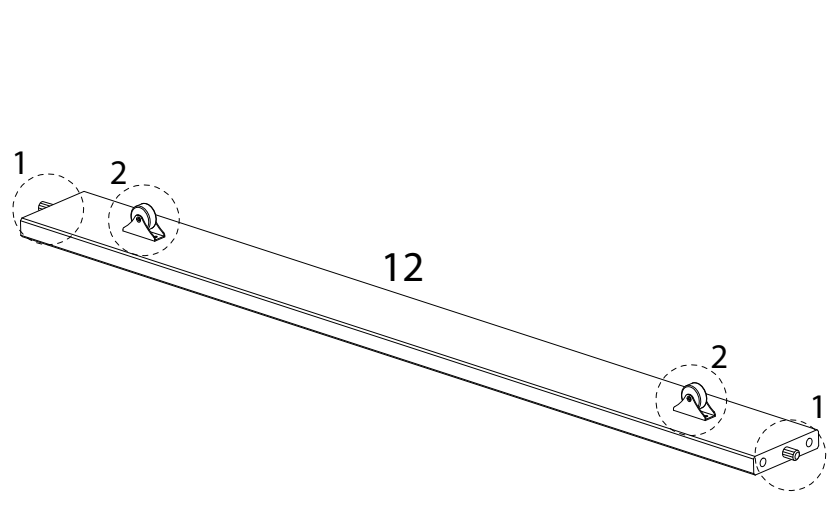


x 1

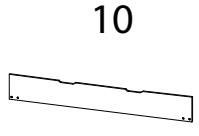
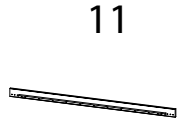

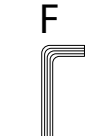
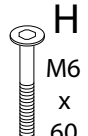


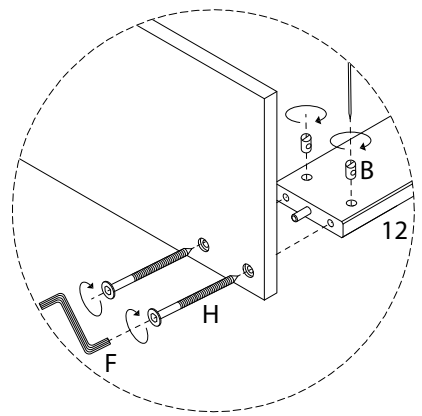
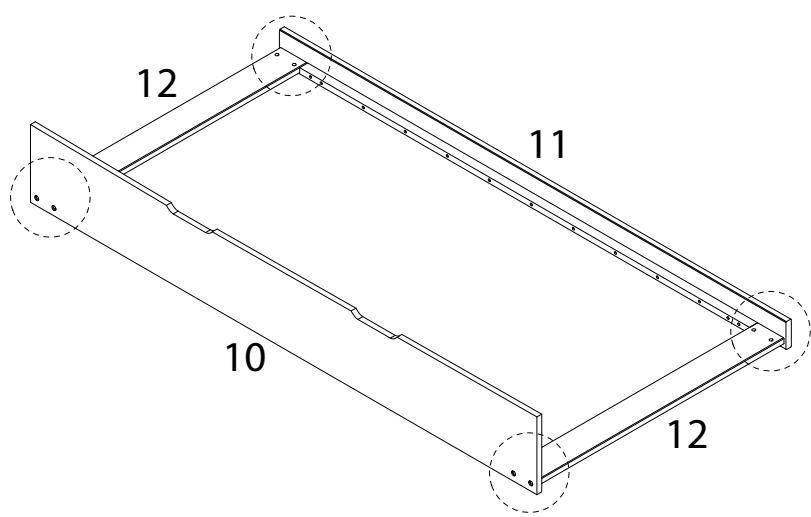
9 x 2

 <p>12 x 1</p>	 <p>D x 2</p>	 <p>J x 2</p>	 <p>K M4 x 16 x 4</p>
---	--	---	--


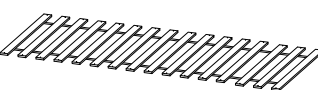
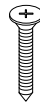


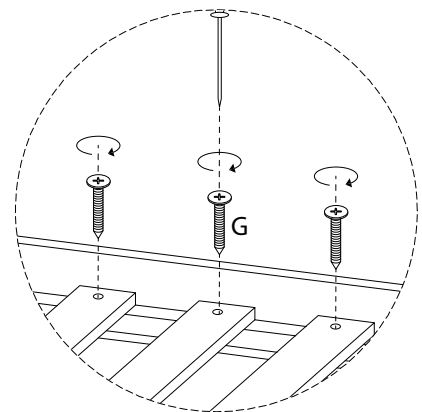
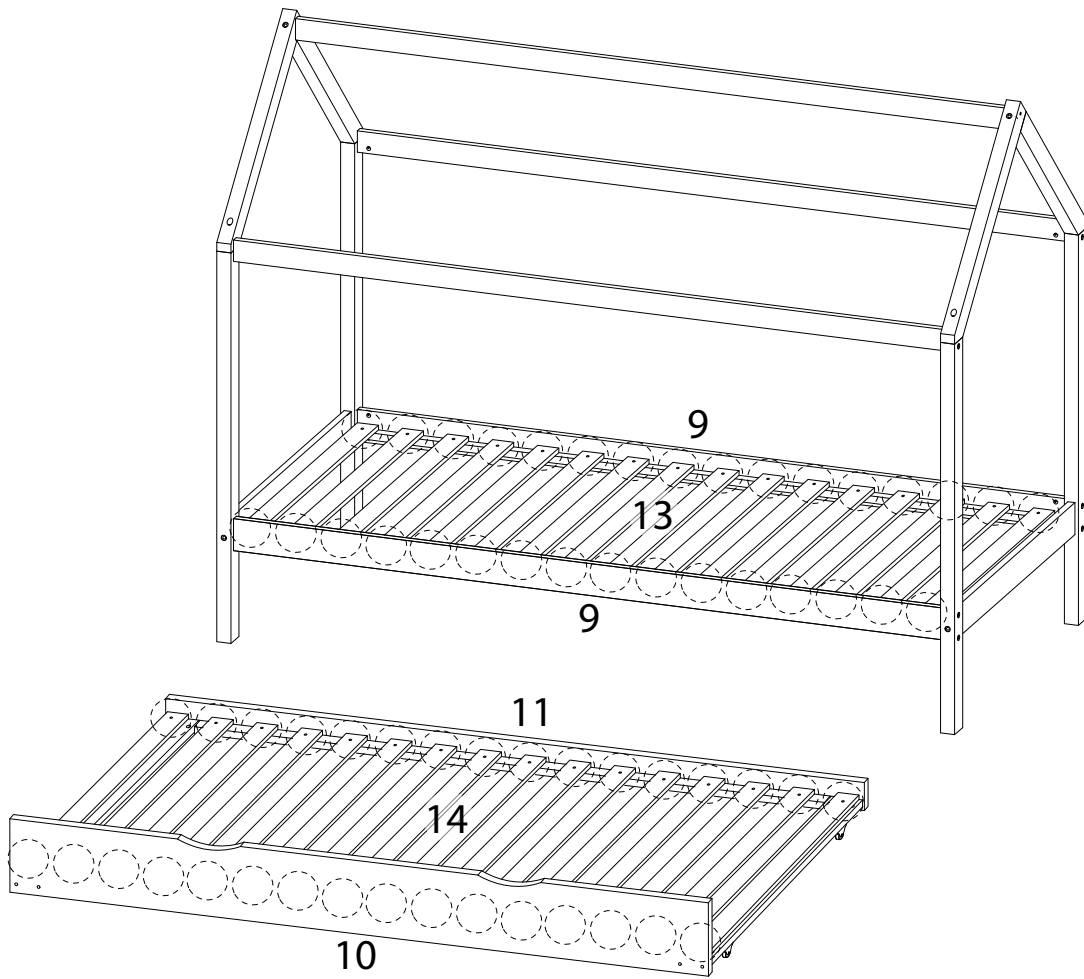
10

 <p>10 x 1</p>	 <p>11 x 1</p>	 <p>B x 8</p>	 <p>F x 1</p>	 <p>H M6 x 60 x 8</p>
---	---	--	--	--



11

<p>13</p>  <p>x 1</p>	<p>14</p>  <p>x 1</p>	<p>G</p>  <p>M4 x 30</p> <p>x 64</p>
--	---	---

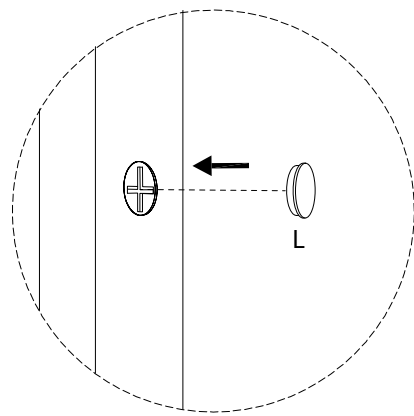
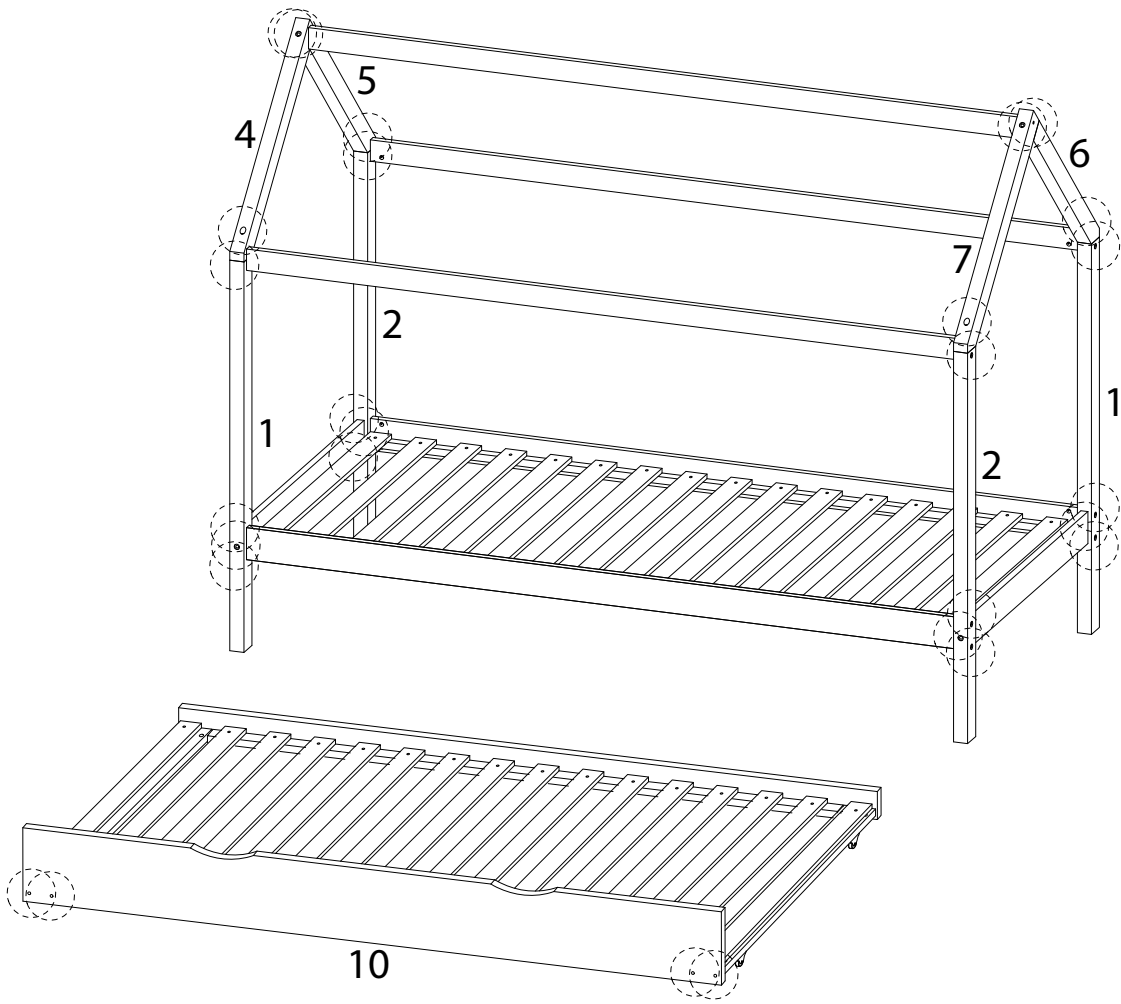


12

L



x 28



13

