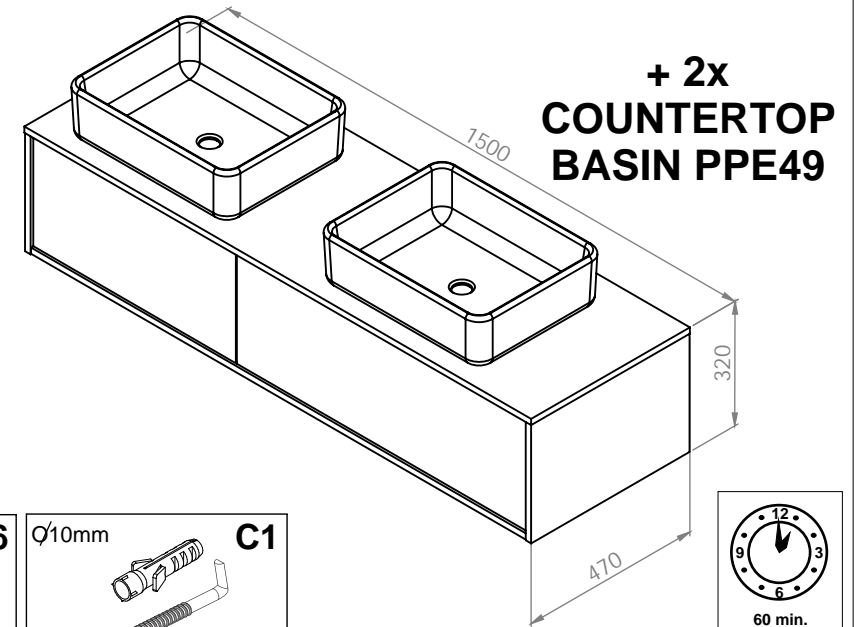
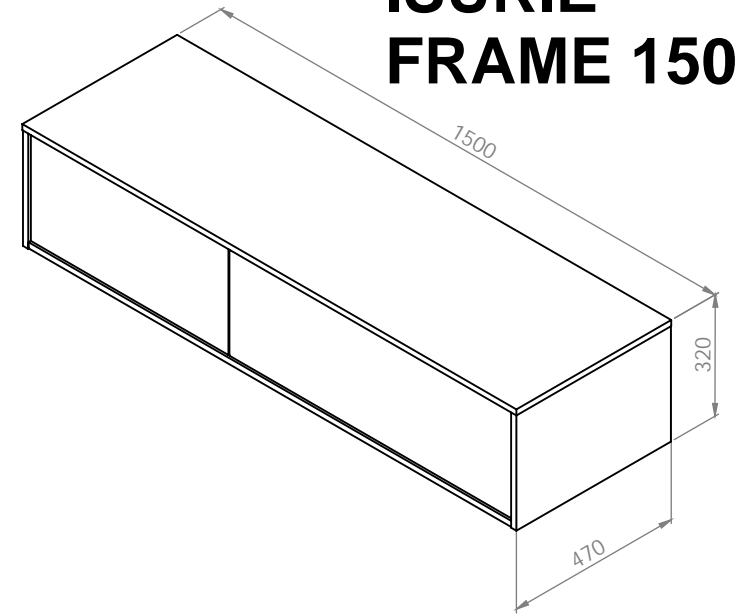
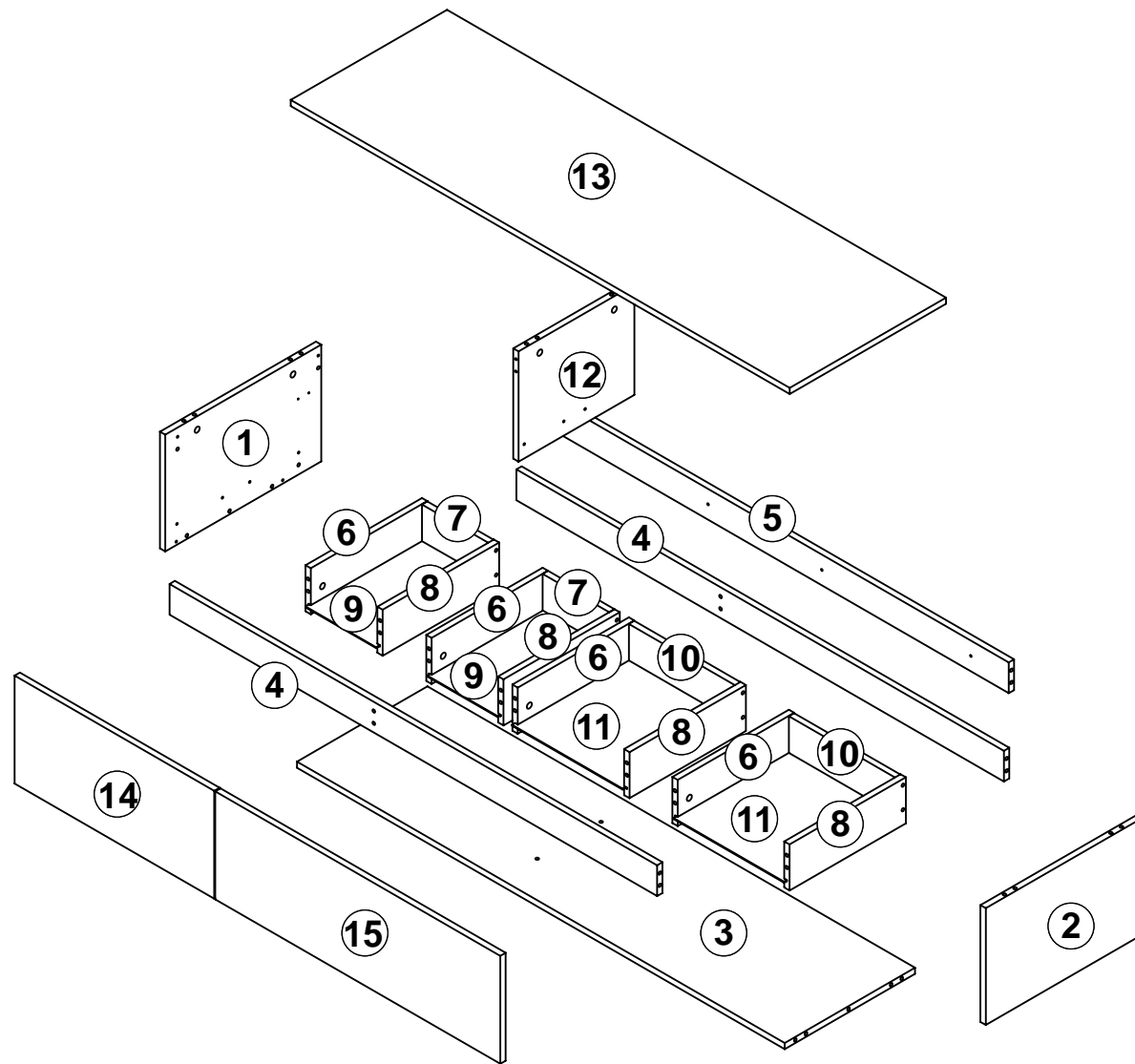
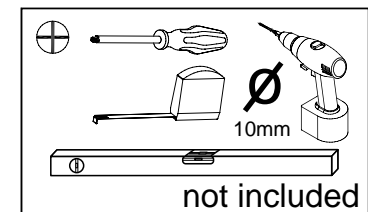
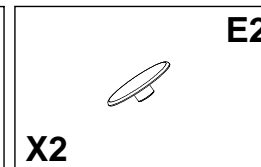
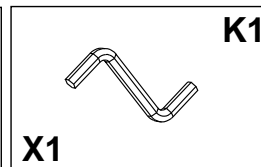
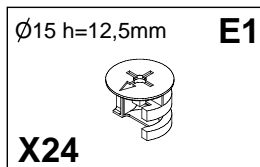
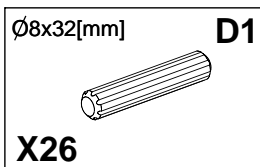
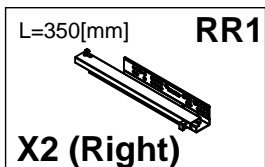
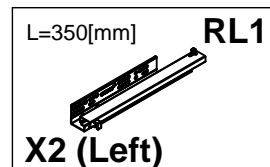
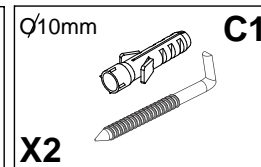
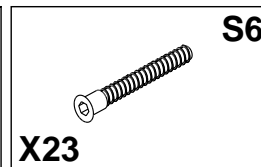
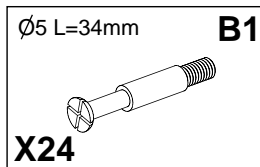
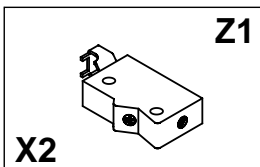
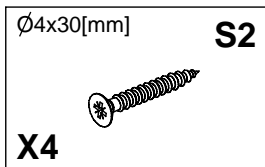
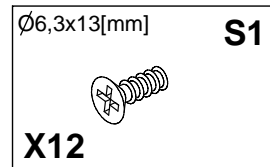


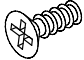
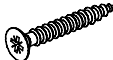
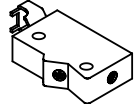
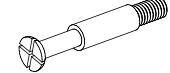
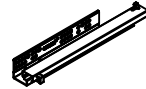
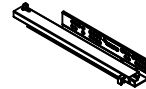
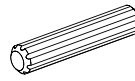
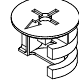
ISURIE FRAME 150

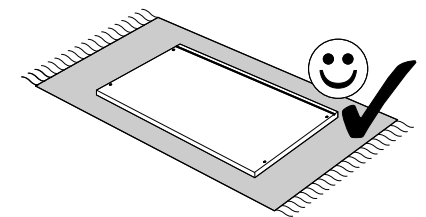
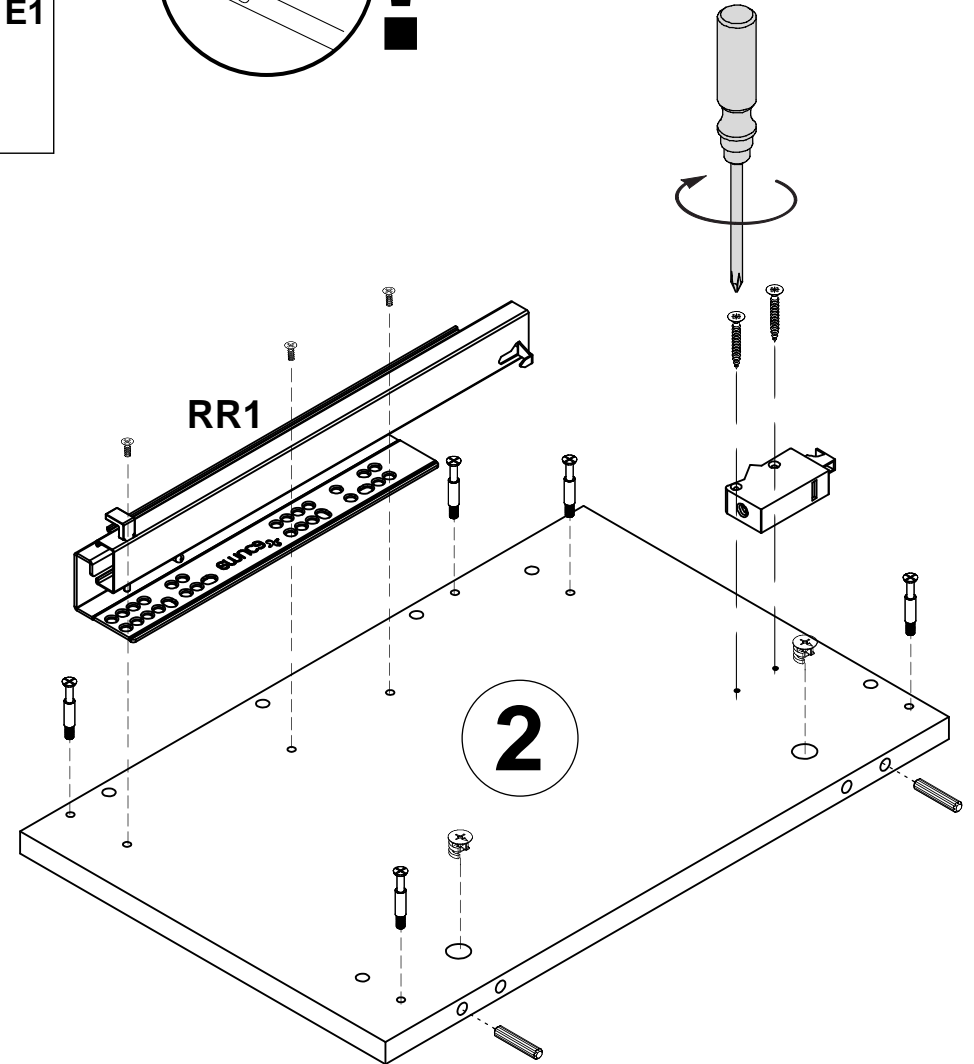
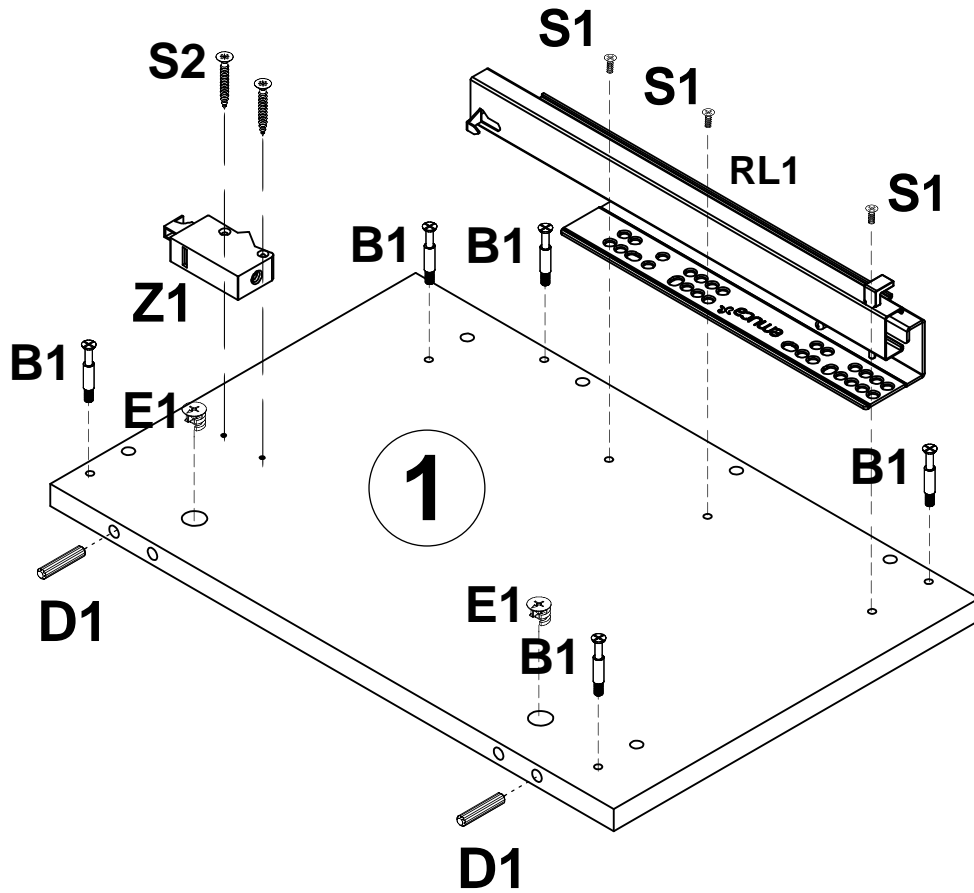
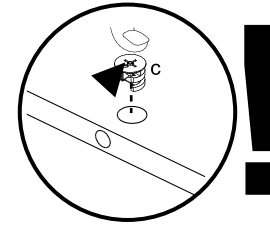


+ 2x
COUNTERTOP
BASIN PPE49



1

$\varnothing 6,3 \times 13$ [mm] S1  X6	$\varnothing 4 \times 30$ [mm] S2  X4	Z1  X2	$\varnothing 5$ L=34mm B1  X10
L=350[mm] RL1  X1 (Left)	L=350[mm] RR1  X1 (Right)	$\varnothing 8 \times 32$ [mm] D1  X4	$\varnothing 15$ h=12,5mm E1  X4



2

Ø6,3x13[mm]

S1



X6

L=350[mm]

RL1



X1 (Left)

L=350[mm]

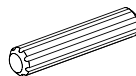
RR1



X1 (Right)

Ø8x32[mm]

D1



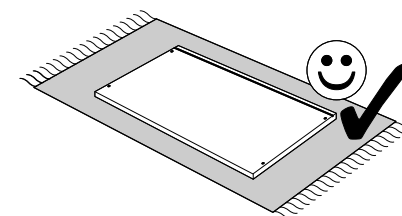
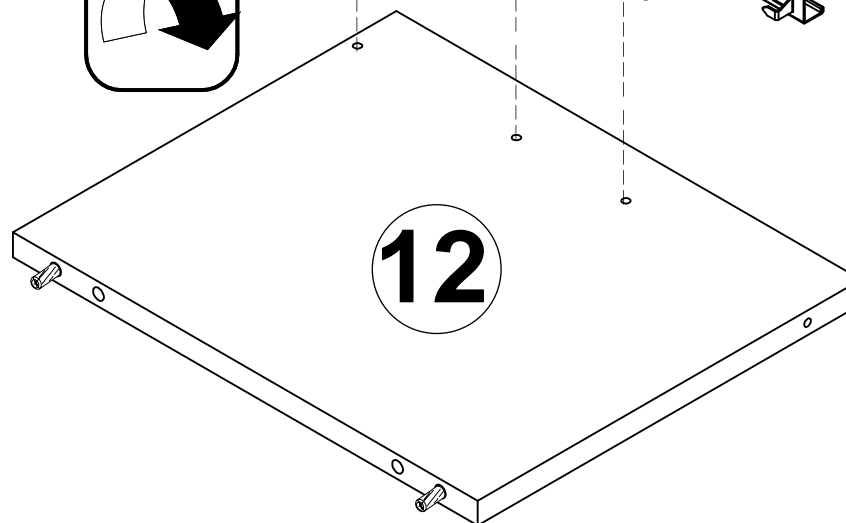
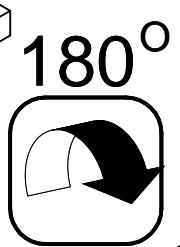
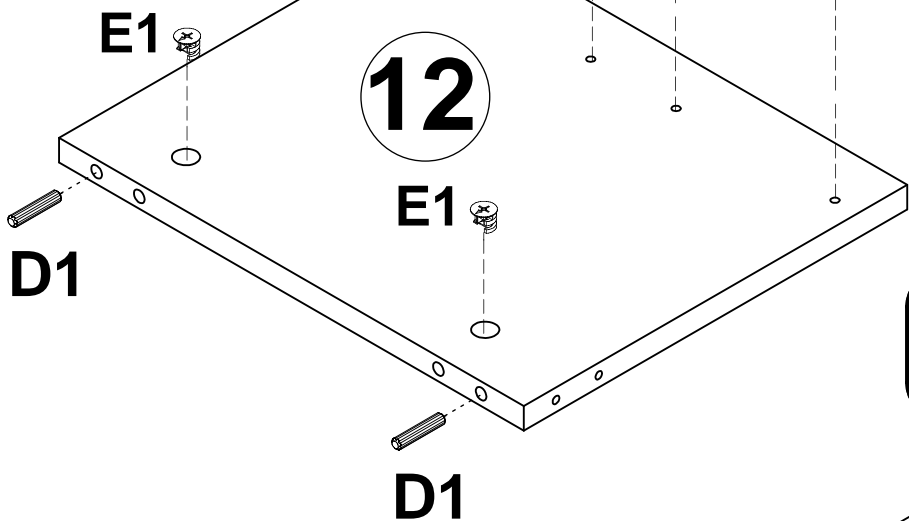
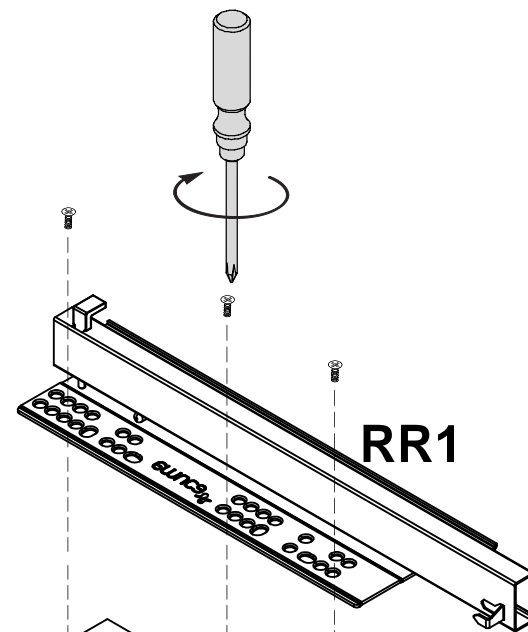
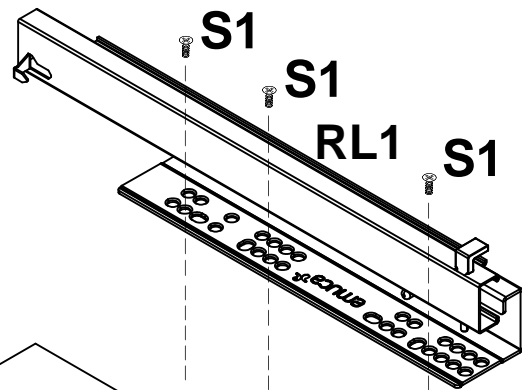
X2

Ø15 h=12,5mm

E1

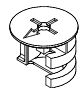


X2

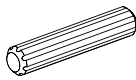
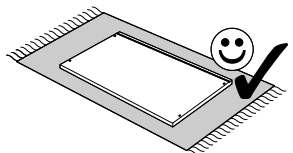
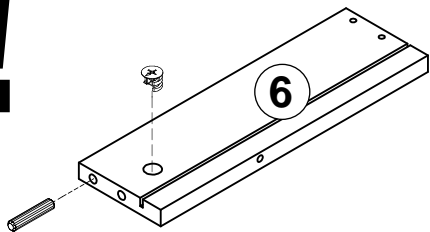
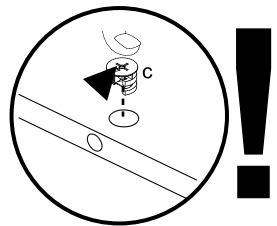


3

Ø15 h=12,5mm E1
X4



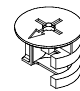
Ø8x32[mm] D1
X4

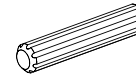
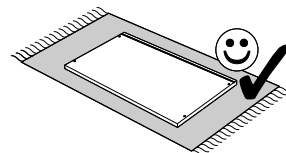
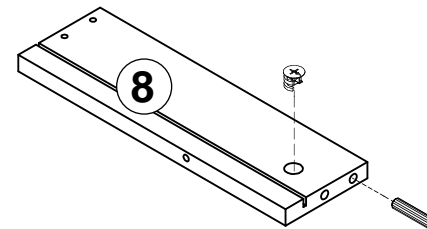
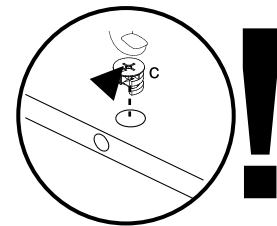
x4

4

Ø15 h=12,5mm E1
X4



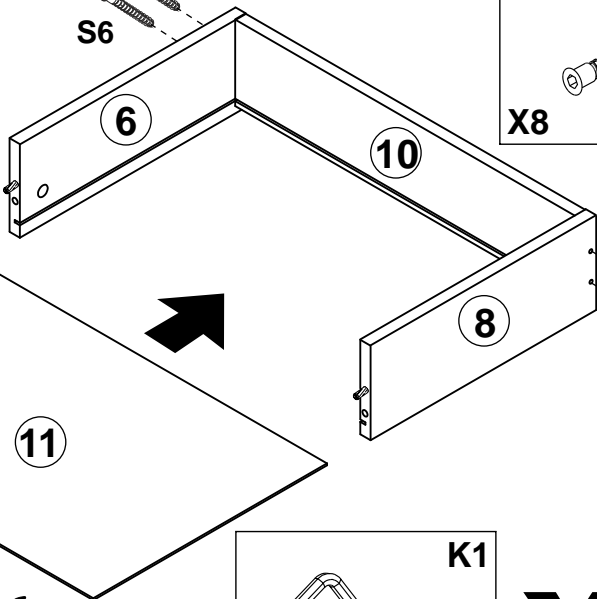
Ø8x32[mm] D1
X4


x4

5

S6

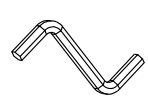


S6
X8

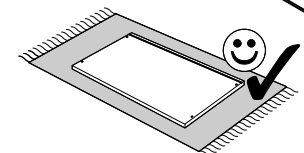


6

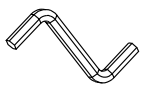
K1
X1



S6
K1

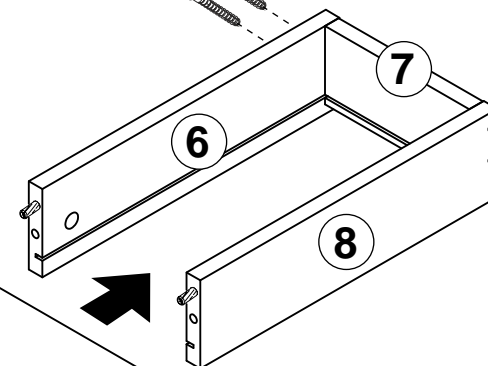


K1
X1

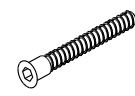


x2

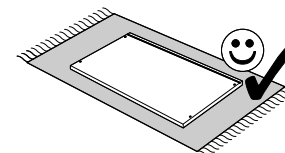
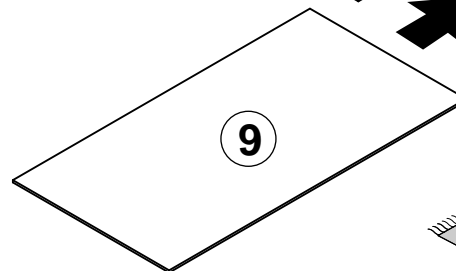
S6



S6
X8

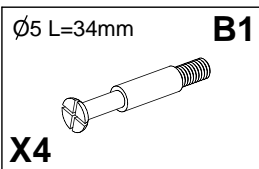
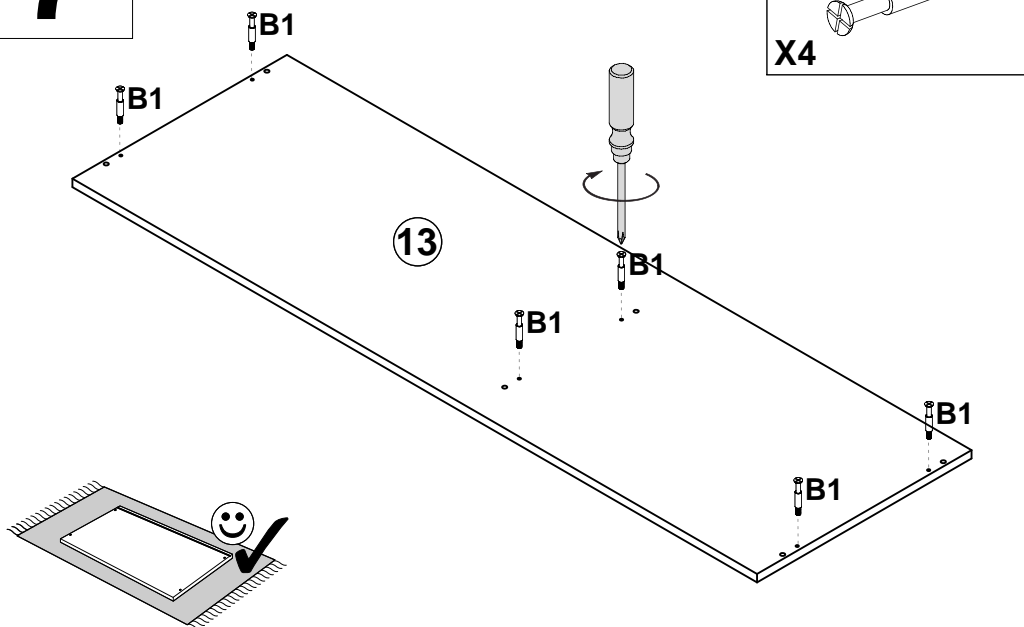


S6
K1

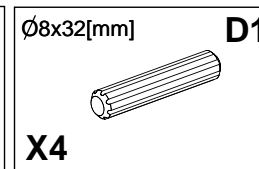
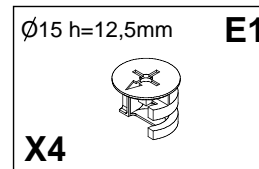
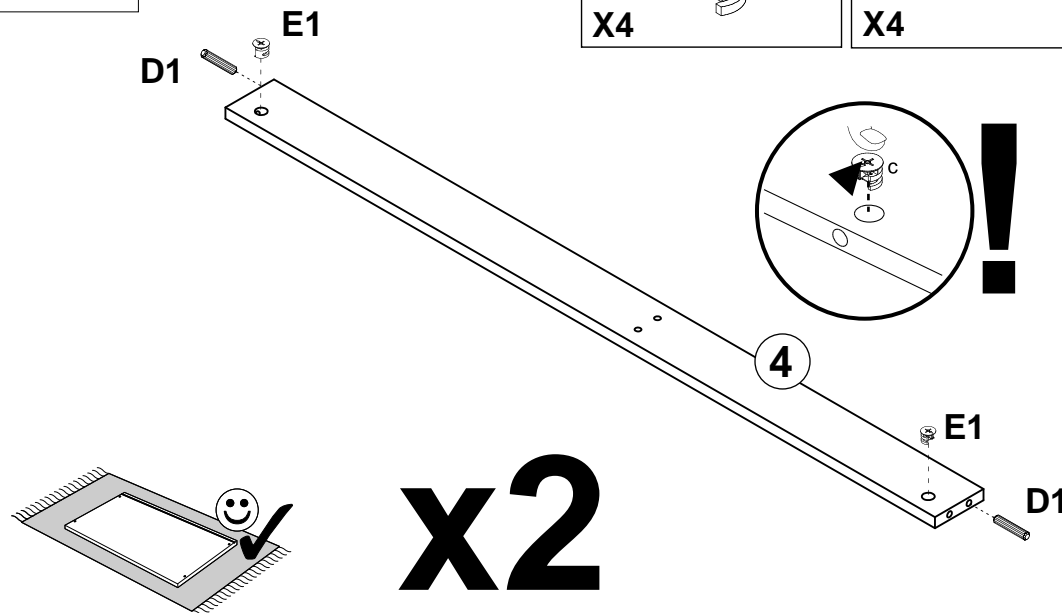


x2

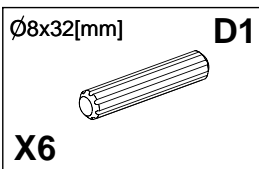
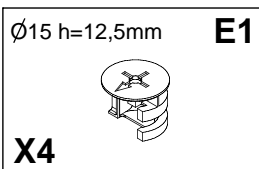
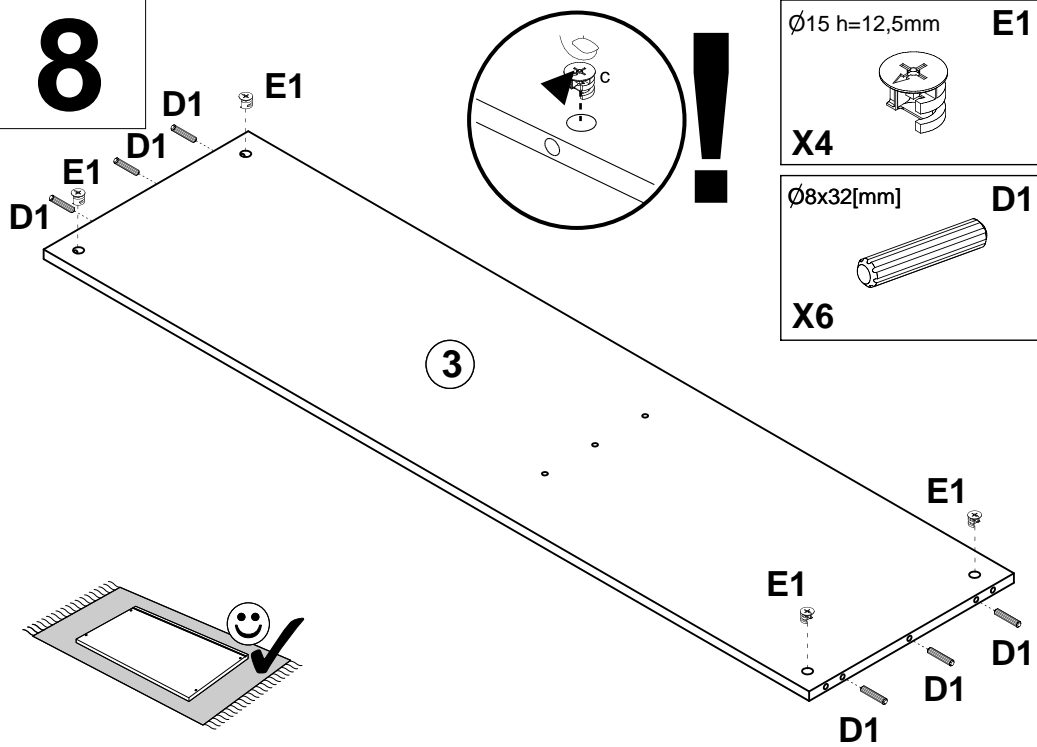
7



8



8



10

