

SENARICA



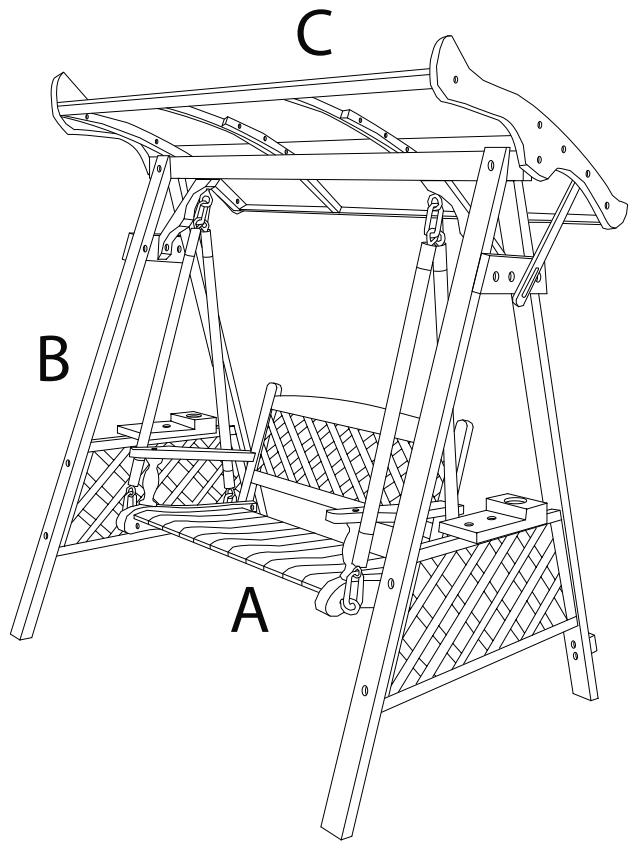
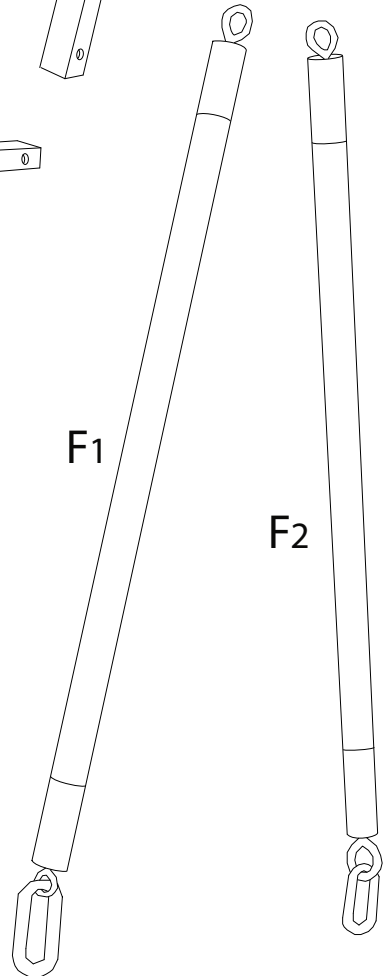
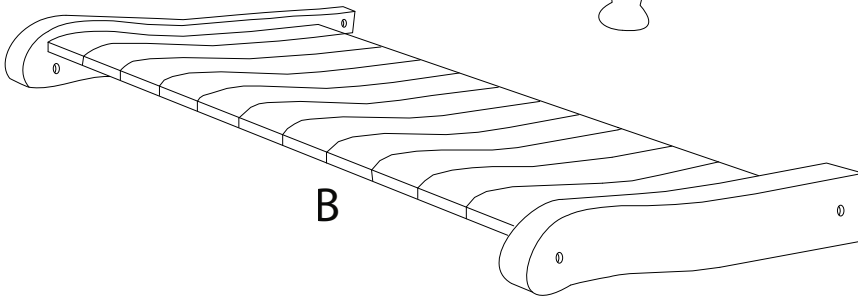
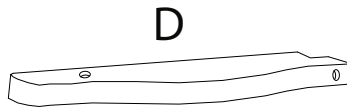
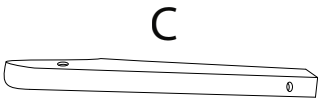
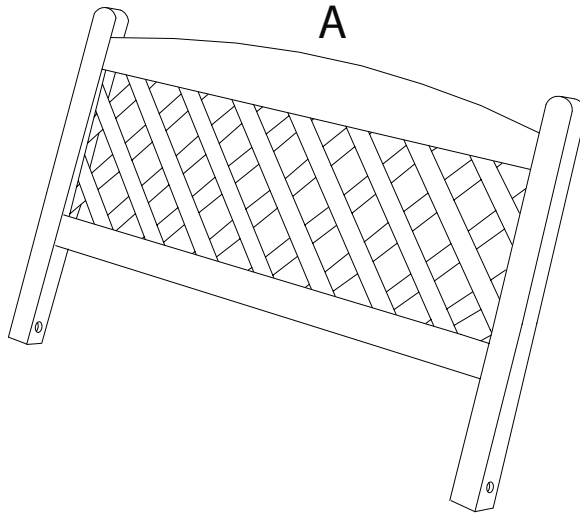
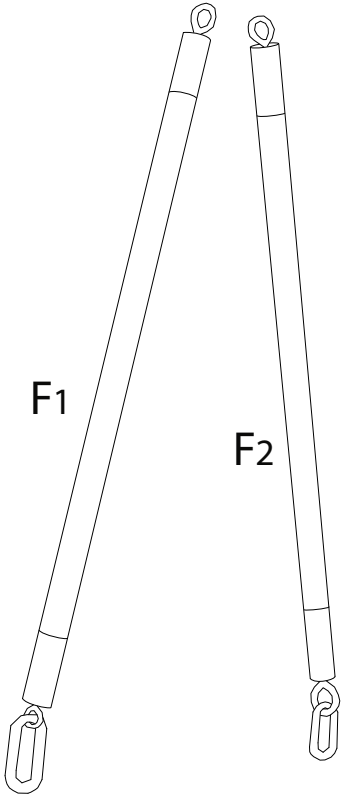


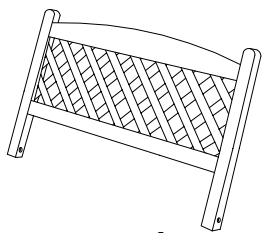
Diagram illustrating assembly instructions and safety warnings:

- Tools:** A circle containing a screwdriver and a wrench, with a crossed-out power drill icon next to it.
- Warning:** A triangle with an exclamation mark.
- Time:** A clock icon with a curved arrow, labeled "90'".
- Personnel:** A stick figure icon labeled "2".
- Material:** A circle containing a wooden board being placed on a surface, with a crossed-out icon of a board being cut or damaged next to it.
- Warning:** A triangle with an exclamation mark.

A

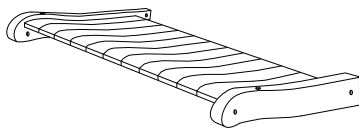


A



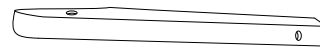
x 1

B



x 1

C



x 1

D



x 1

E



x 2

F1



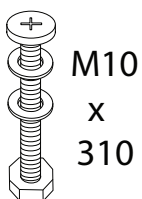
x 2

F2



x 2

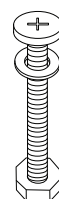
N



M10
x
310

x 2

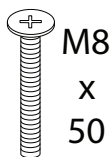
R



M8
x
95

x 2

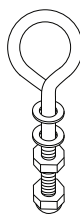
U



M8
x
50

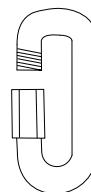
x 2

V



x 4

Y



x 4

Z1



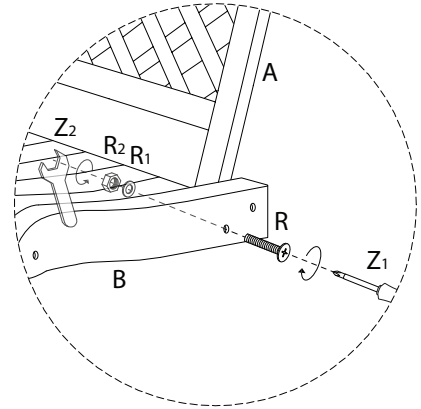
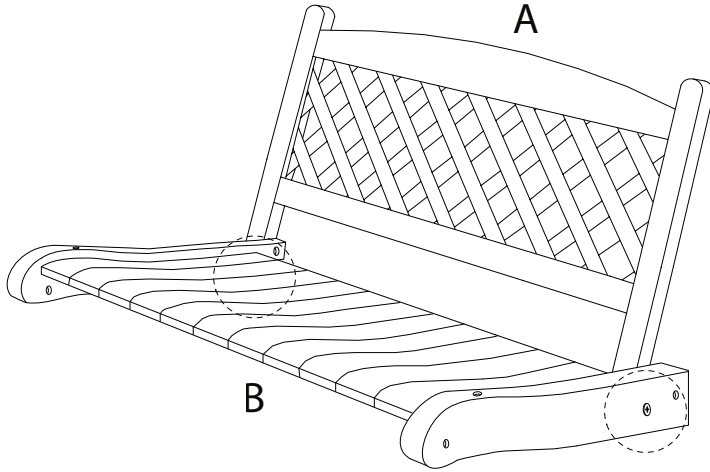
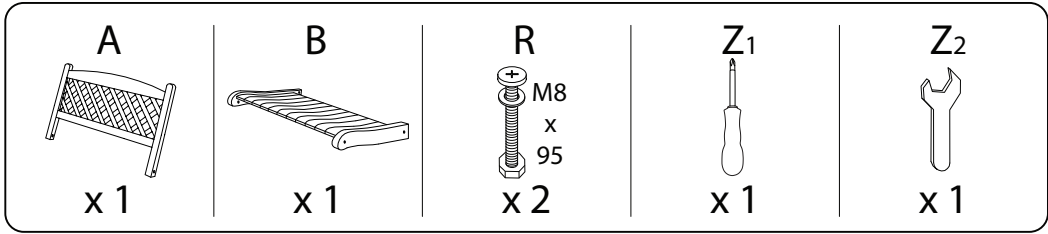
x 1

Z2

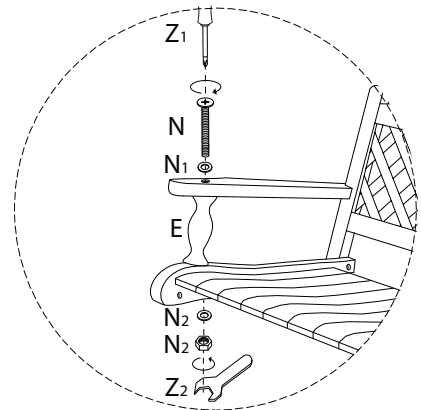
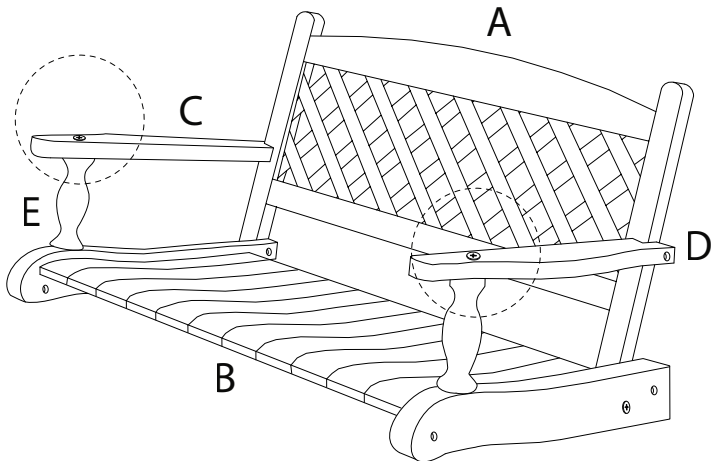
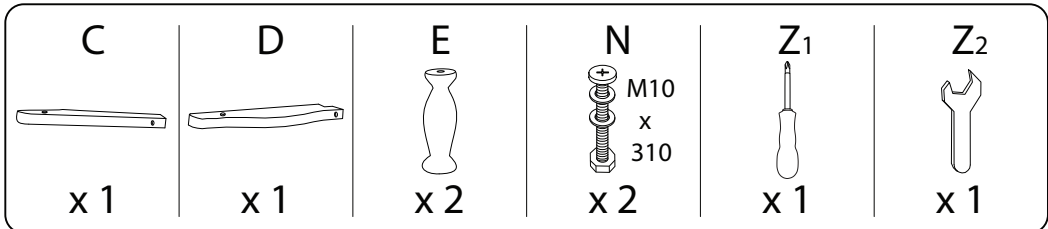


x 1

1



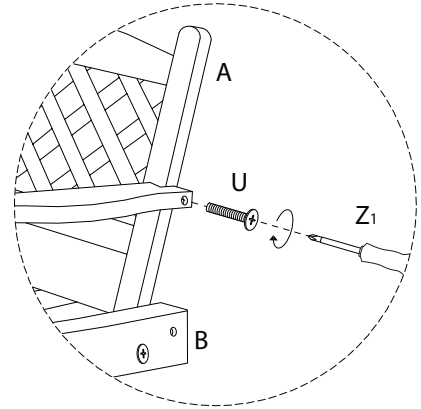
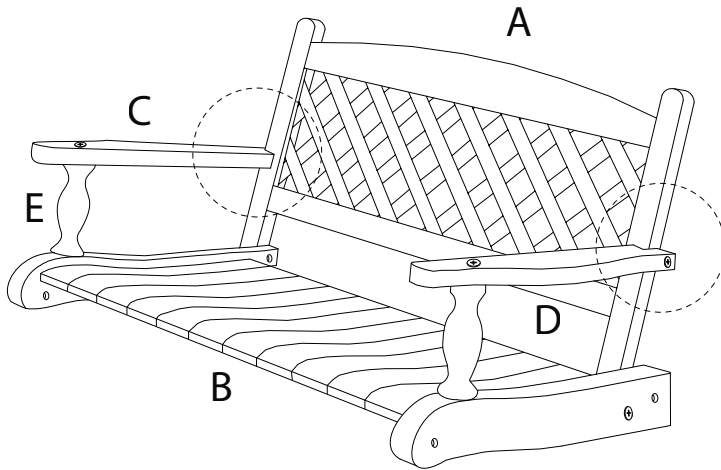
2



3

U
M8
x
50
x 2

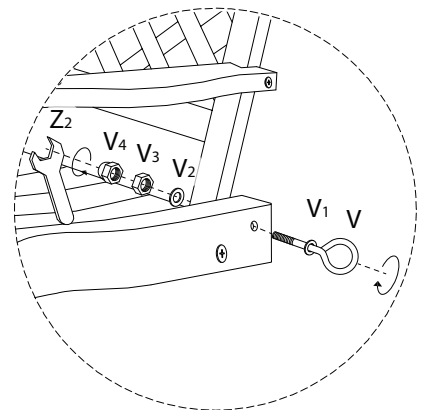
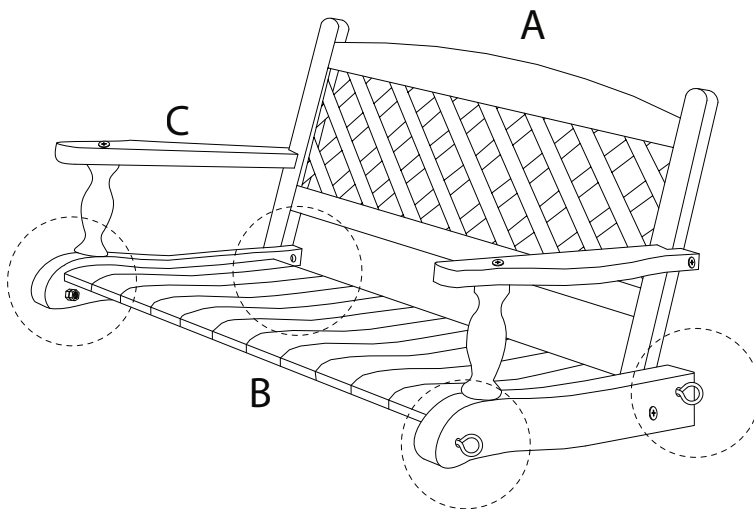
Z1
x 1



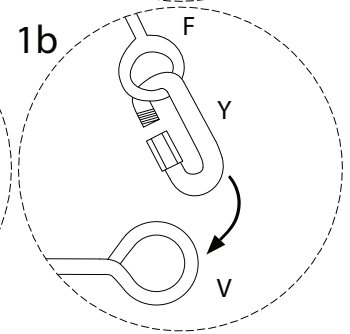
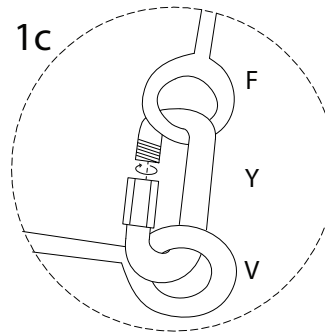
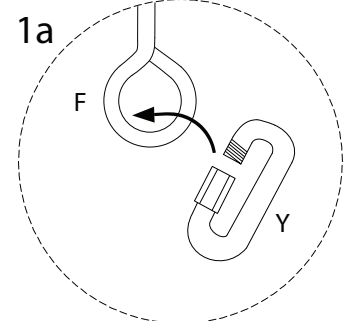
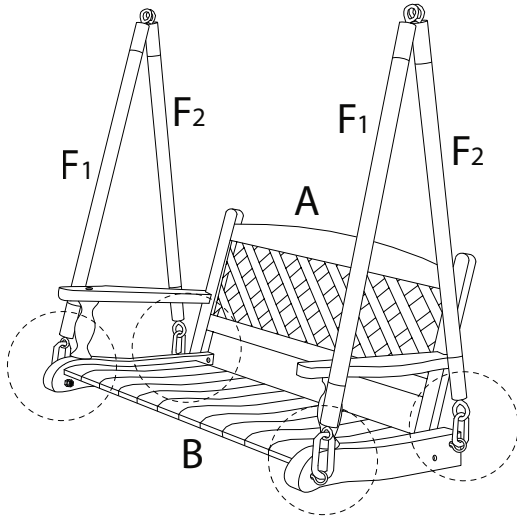
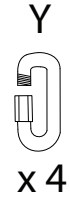
4

V
x 4

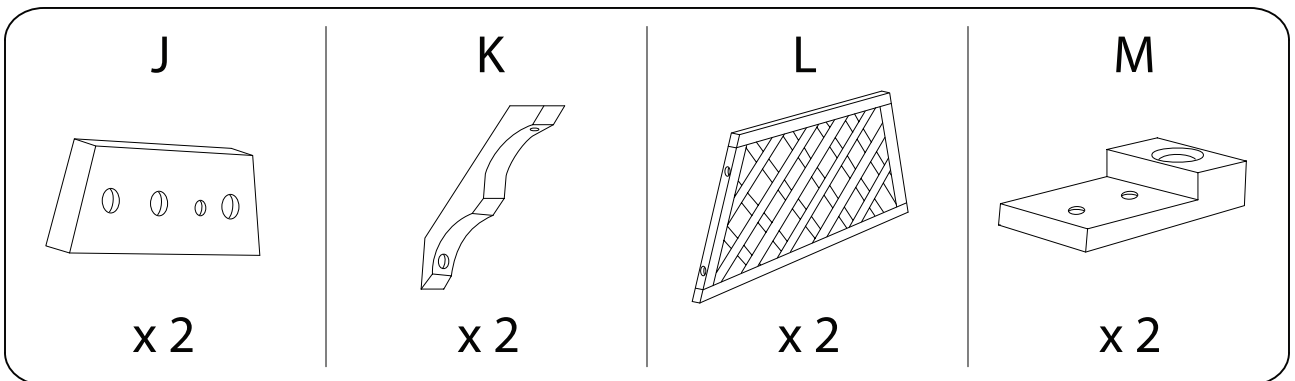
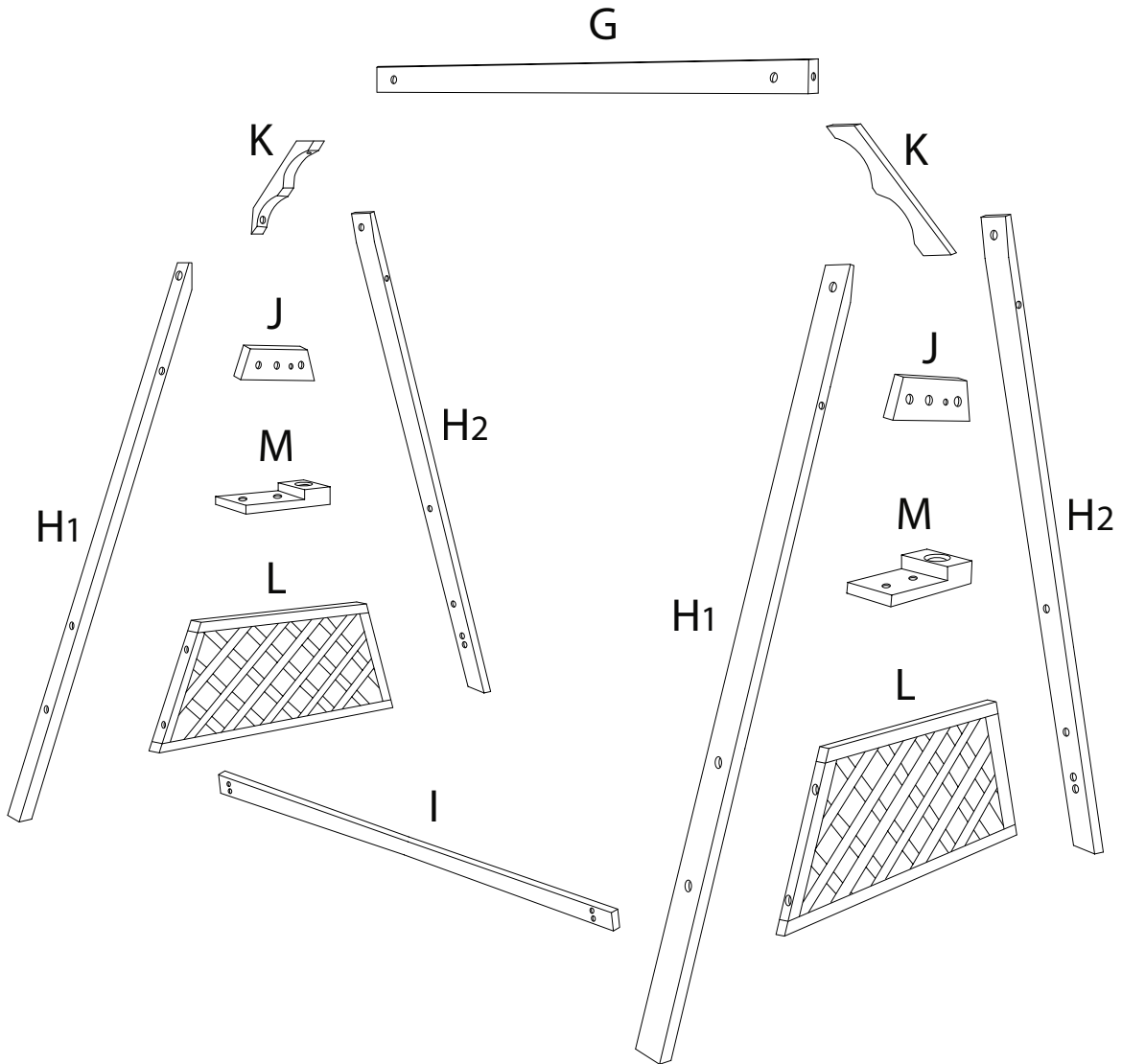
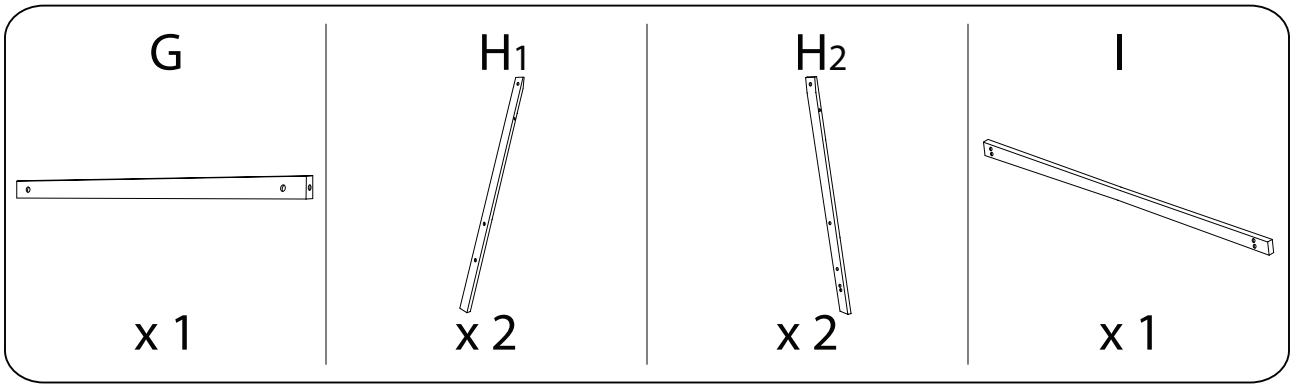
Z2
x 1



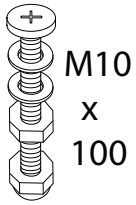
5



B

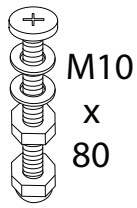


O



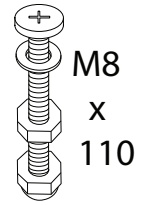
x 2

P



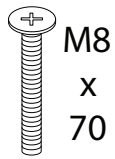
x 2

Q



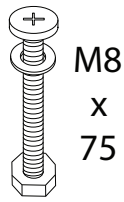
x 4

S



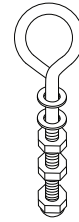
x 8

T



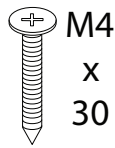
x 4

W



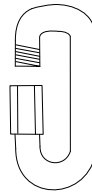
x 2

X



x 4

Y



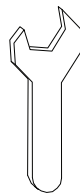
x 4

Z1



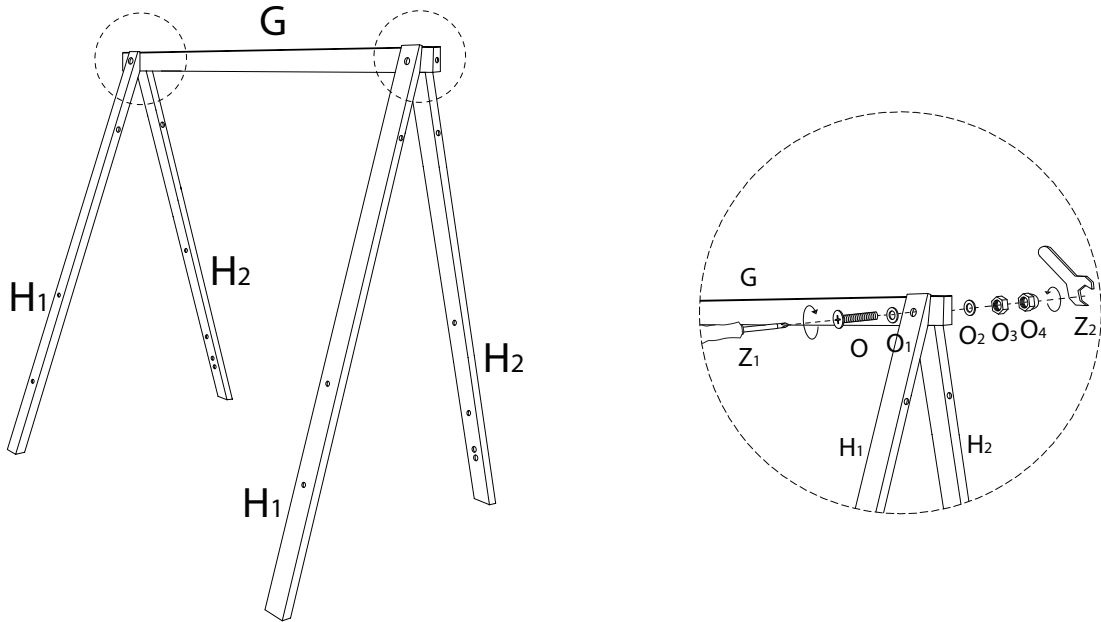
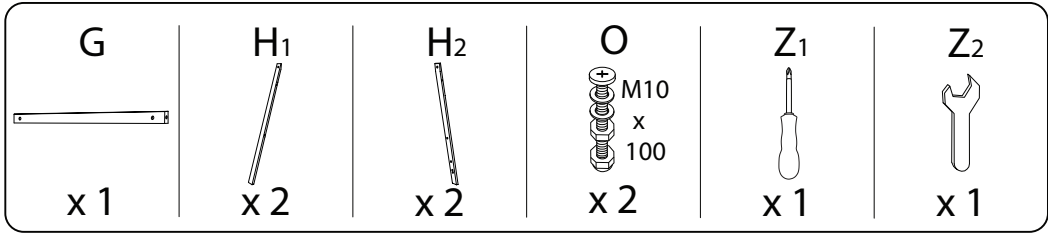
x 1

Z2

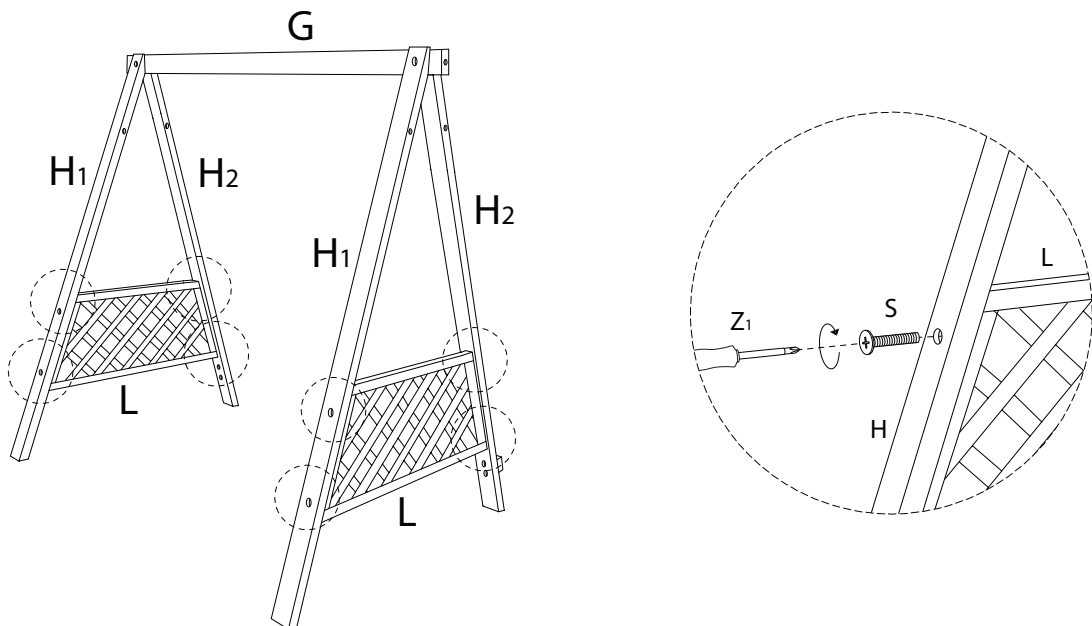
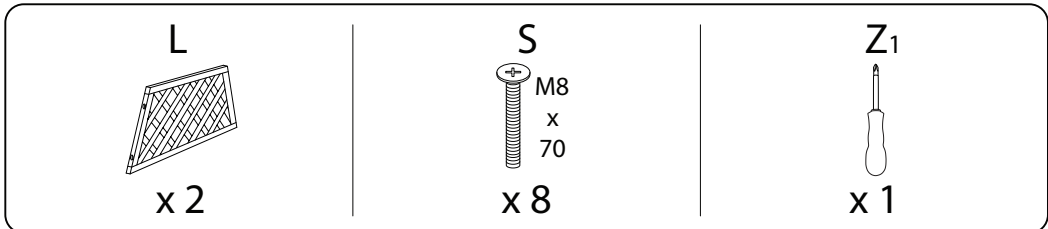


x 1

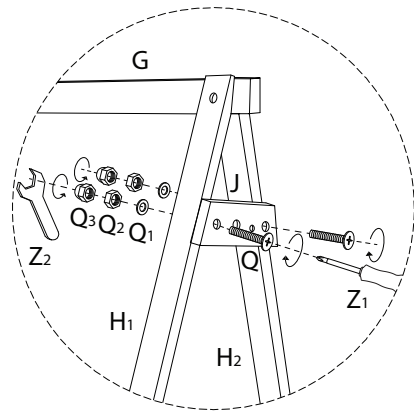
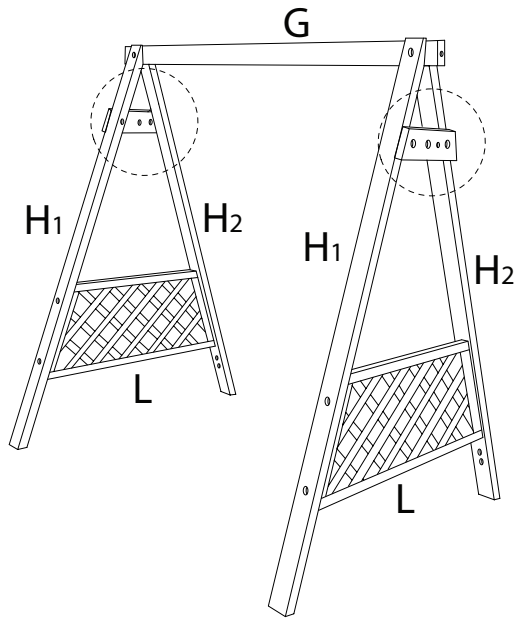
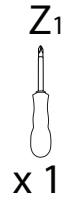
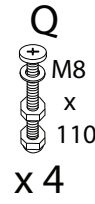
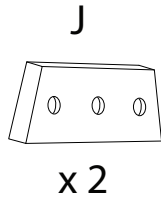
1



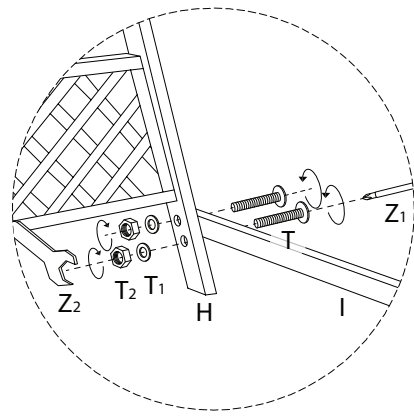
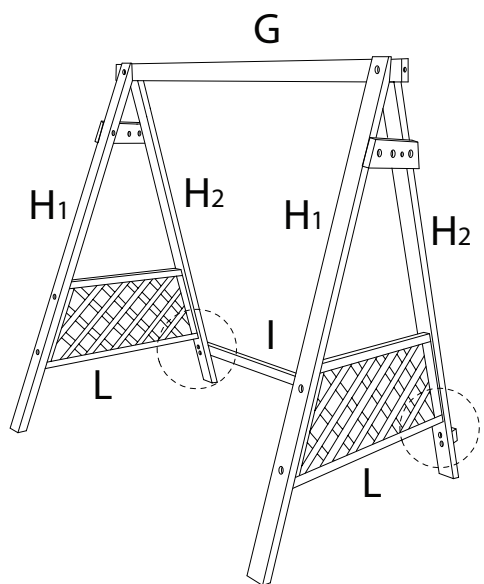
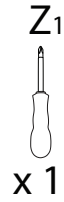
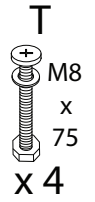
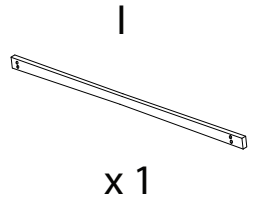
2



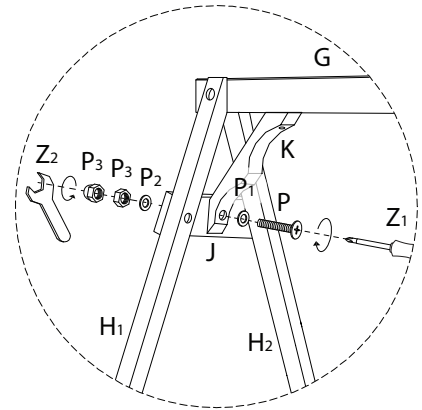
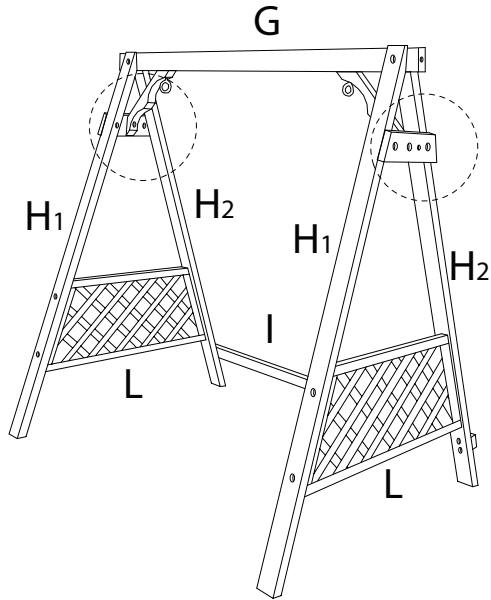
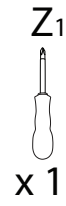
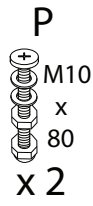
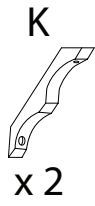
3



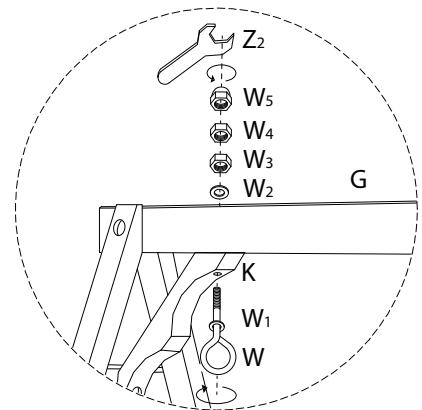
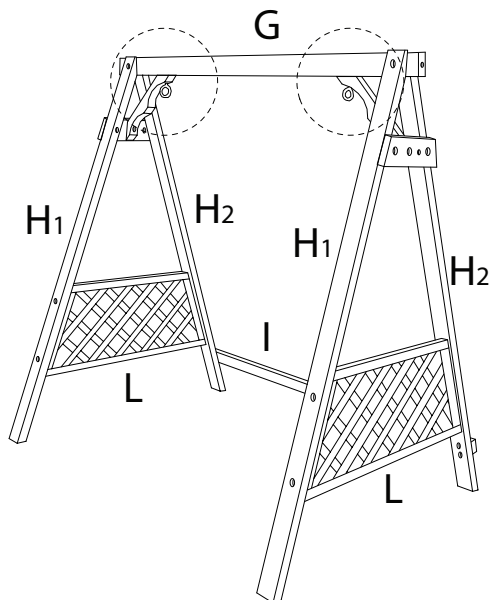
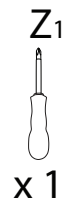
4



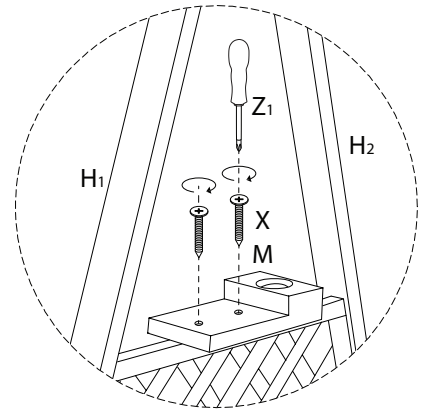
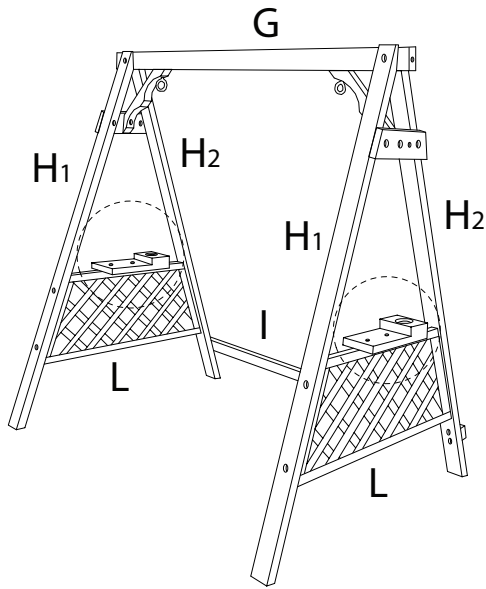
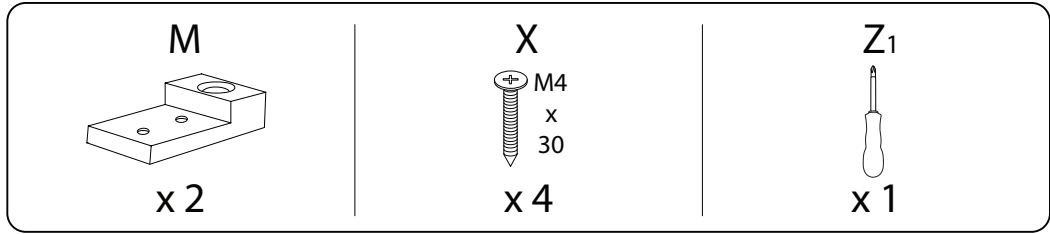
5



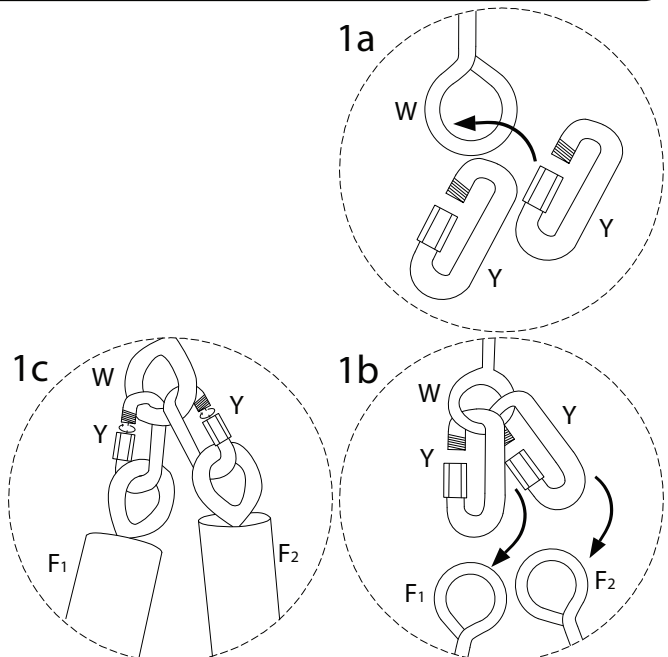
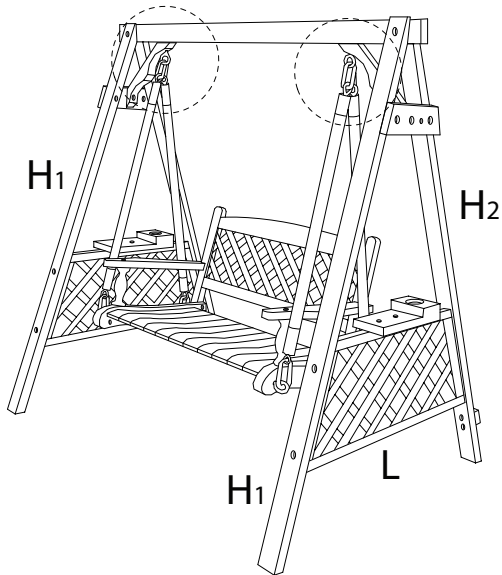
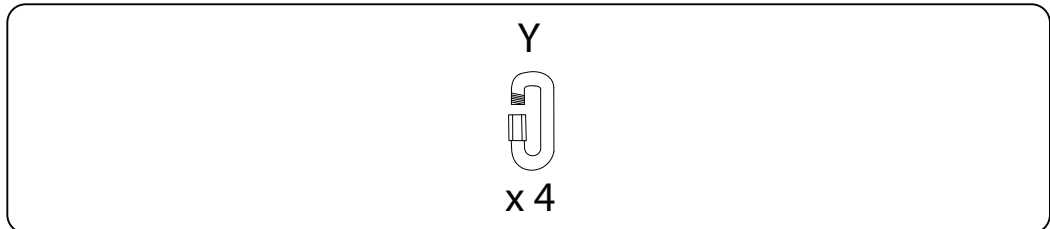
6



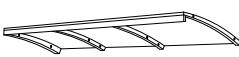
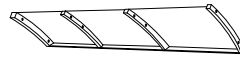
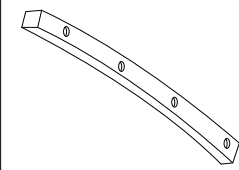
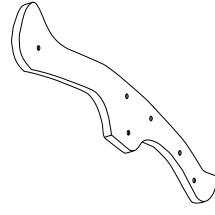
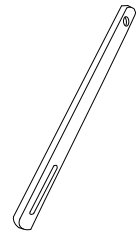
7

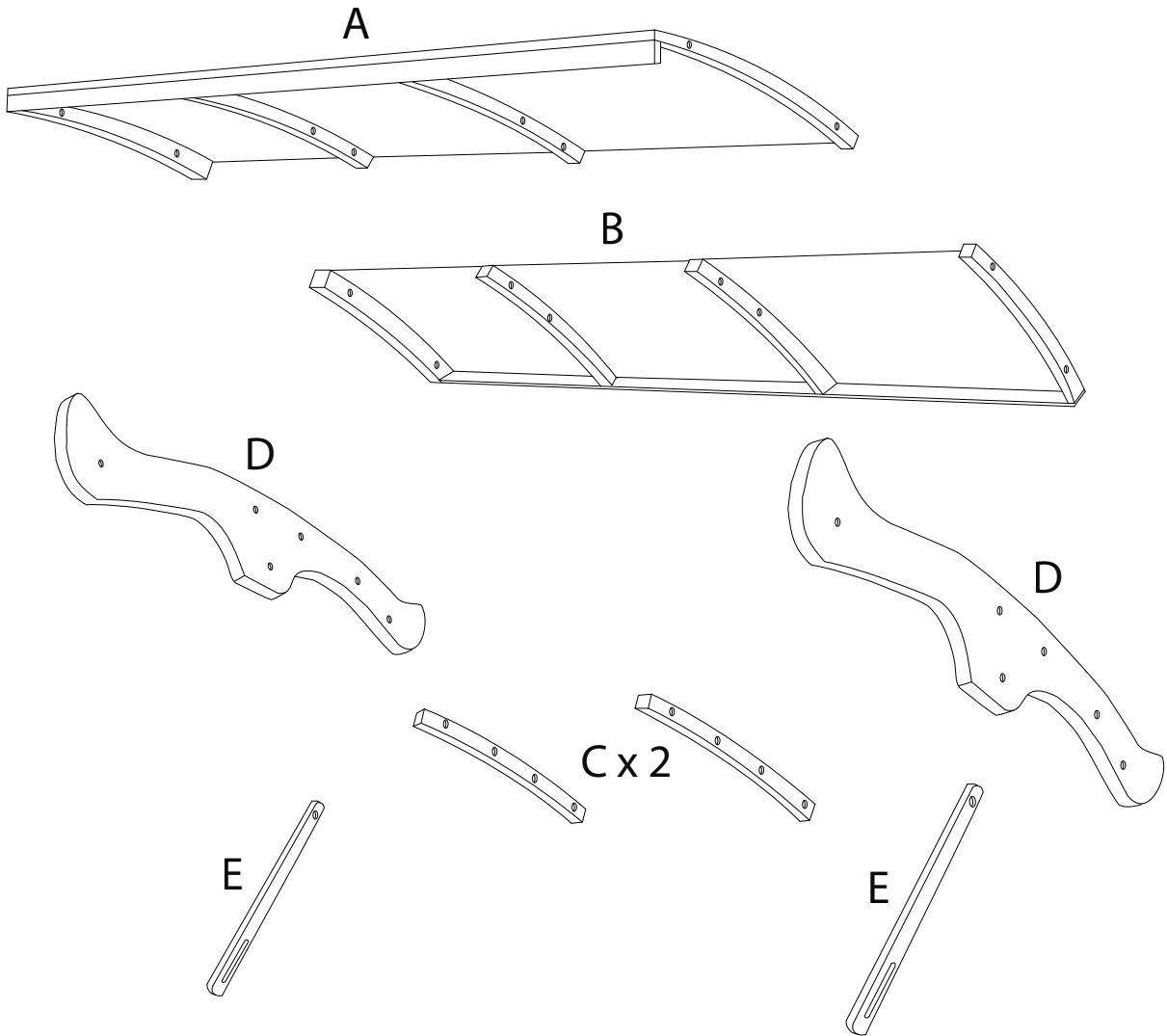


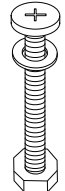
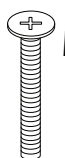
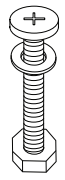
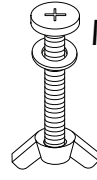

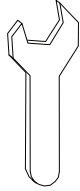
8



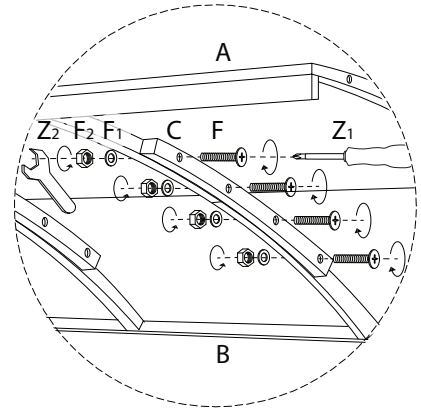
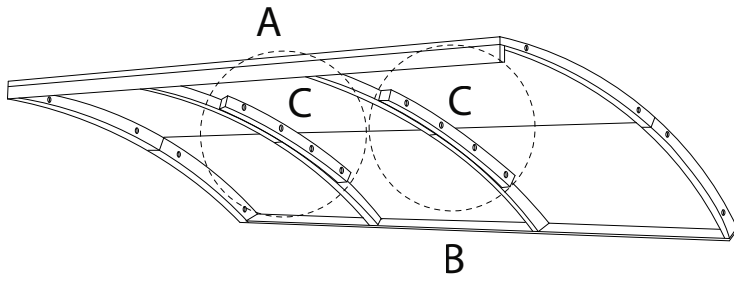
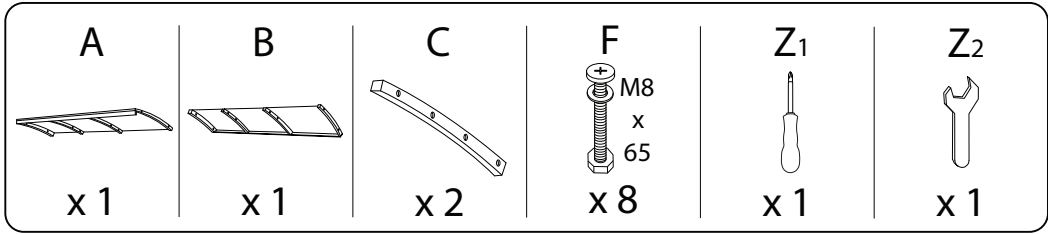
C

A	B	C	D	E
				
x 1	x 1	x 2	x 2	x 2

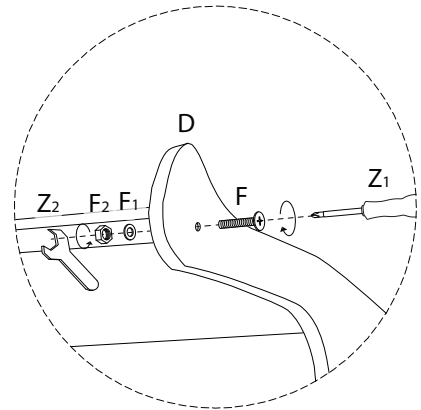
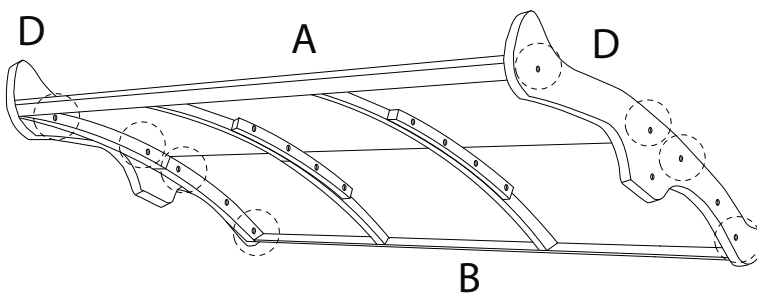
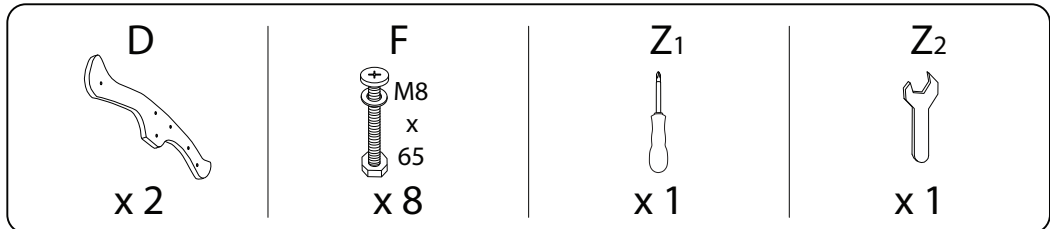


F	G	H	I	Z1	Z2
					
x 16	x 2	x 2	x 2	x 1	x 1

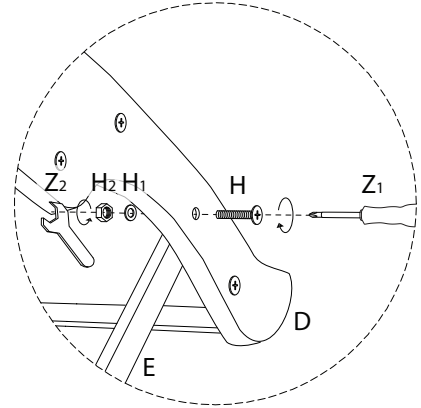
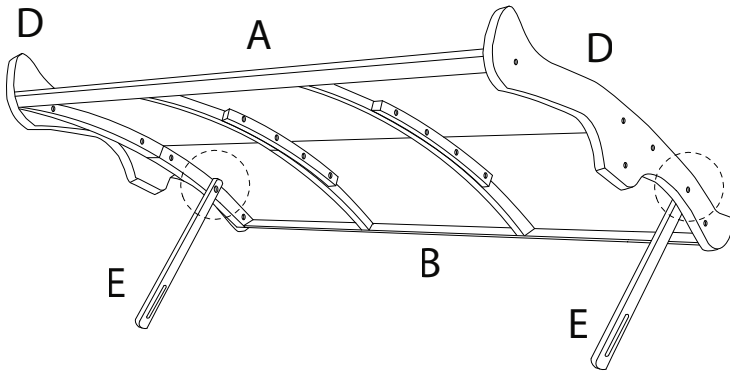
1



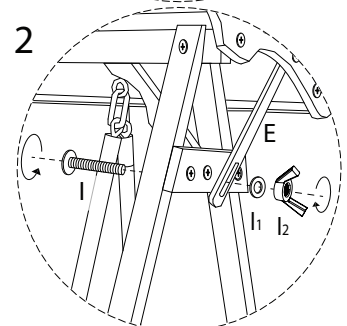
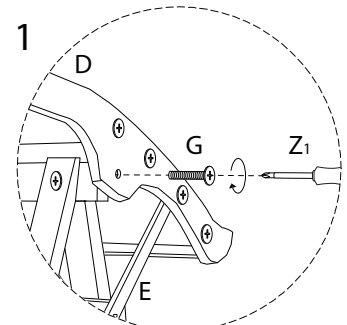
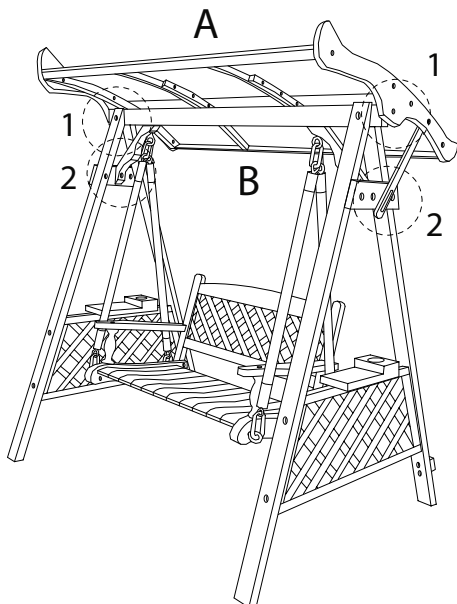
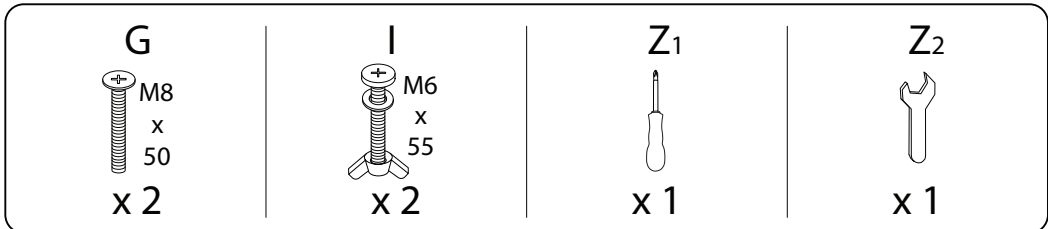
2



3



4



!

