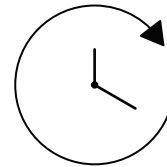
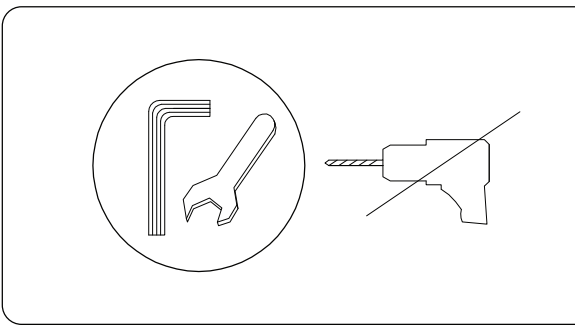
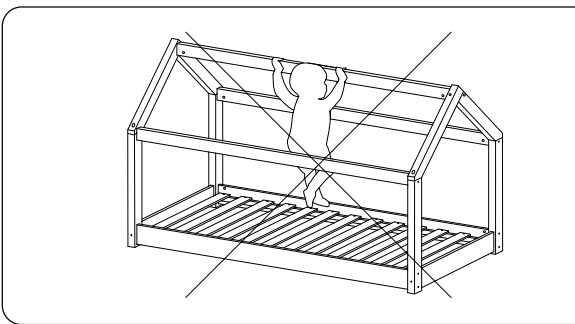
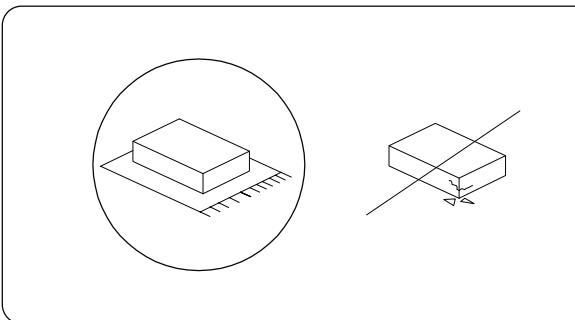


# SORMERY

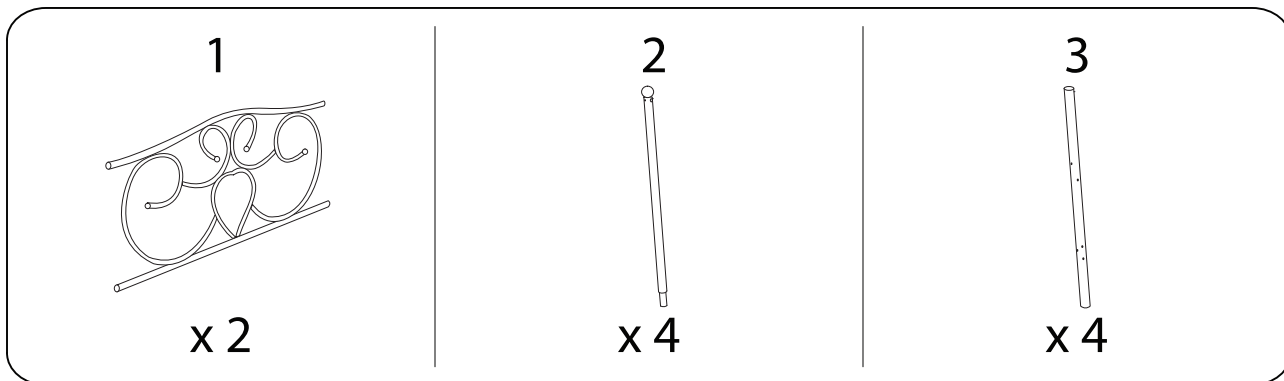
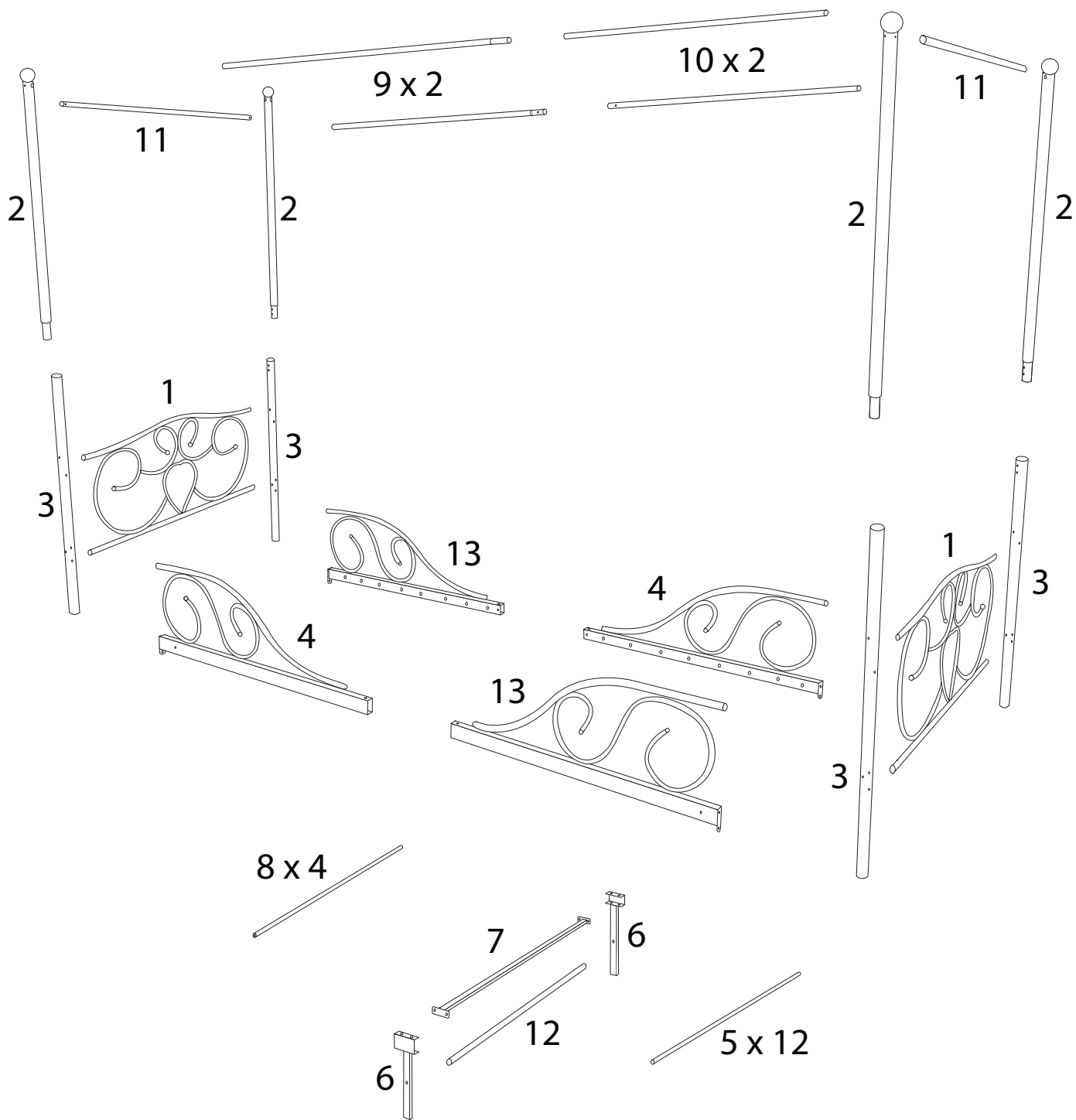




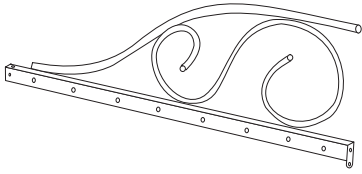
45'



2

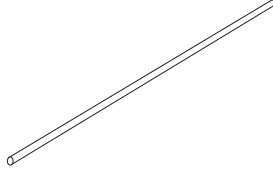


4



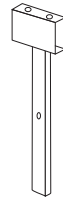
x 2

5



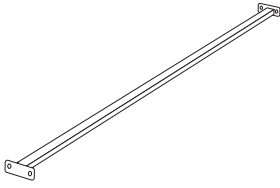
x 12

6



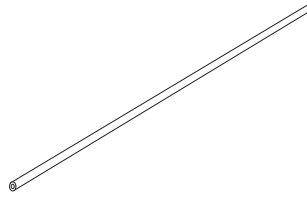
x 2

7



x 1

8



x 4

9



x 2

10



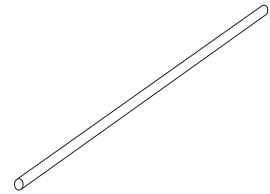
x 2

11



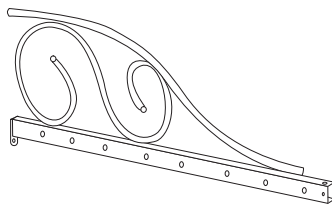
x 2

12



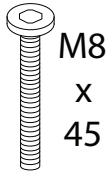
x 1

13



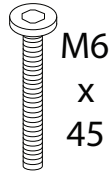
x 2

A



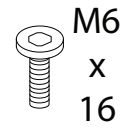
x 8

B



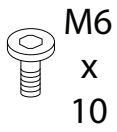
x 14

C



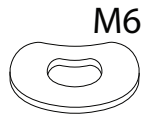
x 20

D



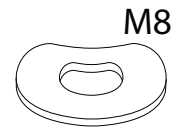
x 14

E



x 28

F



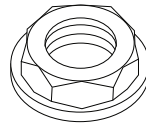
x 8

G



x 4

H



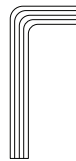
x 4

I



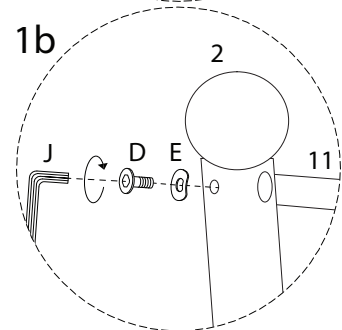
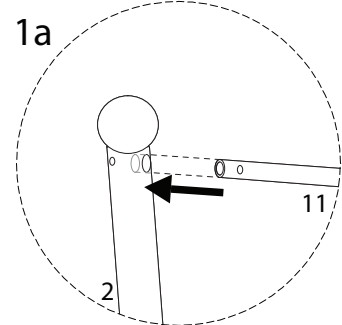
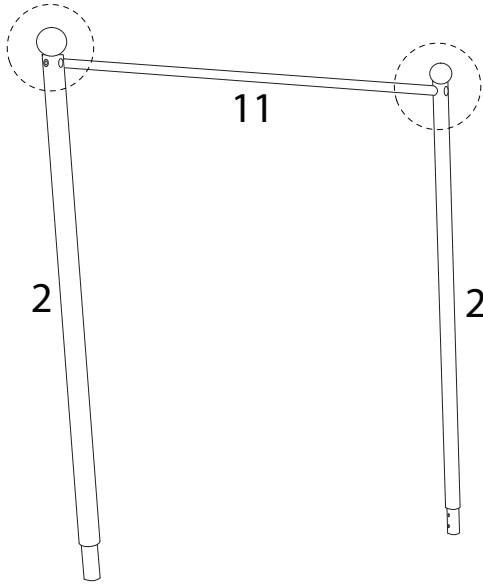
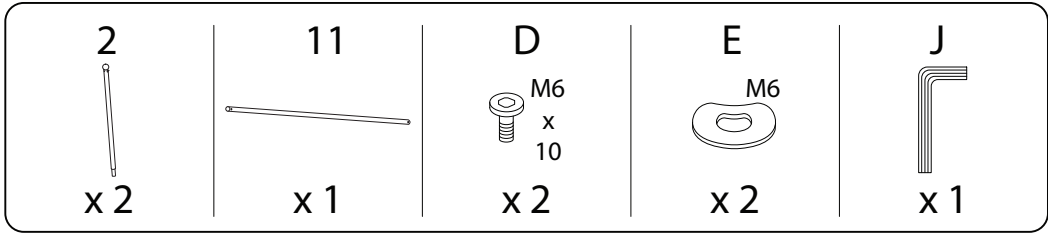
x 1

J

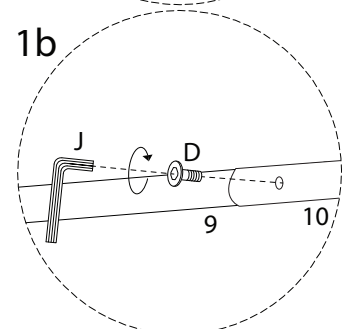
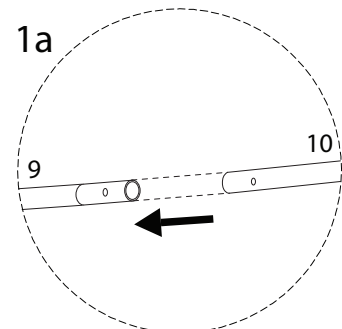
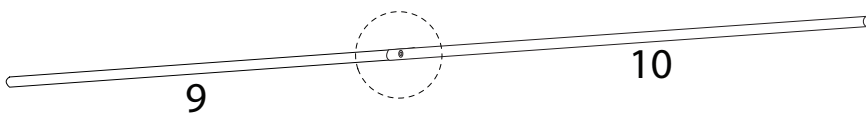
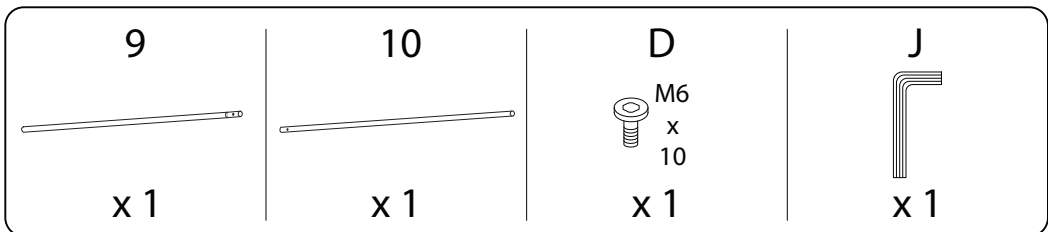


x 1

1 x 2



2 x 2

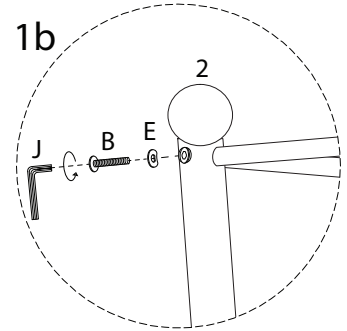
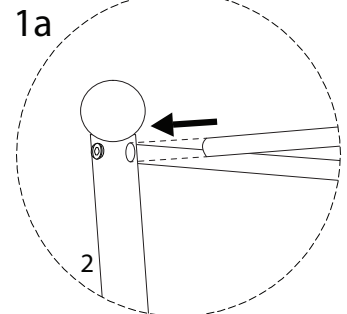
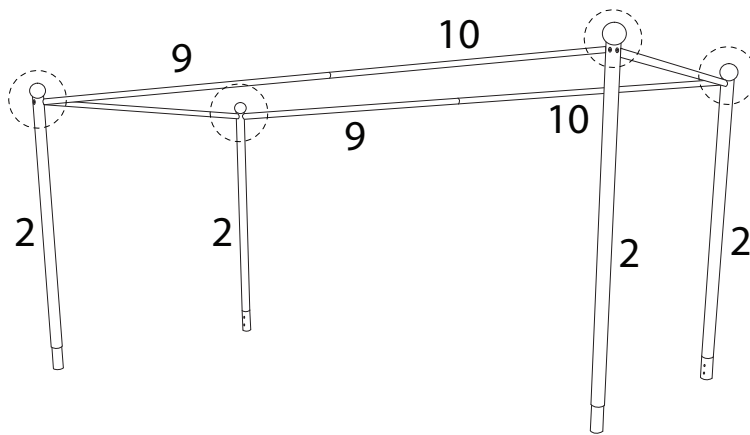


3

**B**  
M6  
x  
45  
x 4

**E**  
M6  
x 4

**J**  
x 1



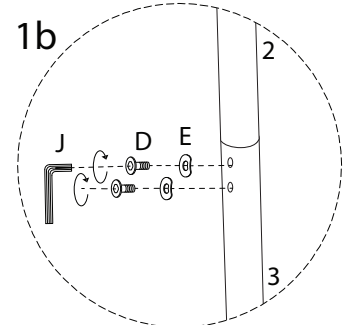
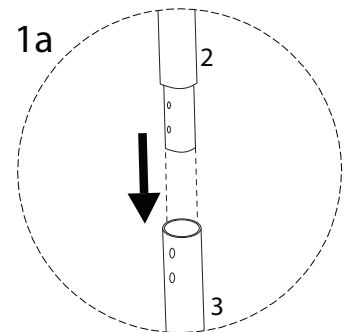
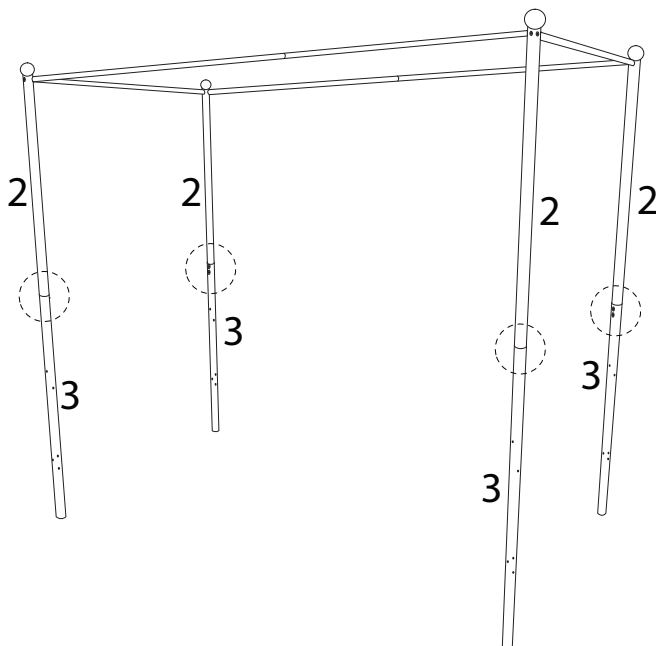
4

**3**  
x 4

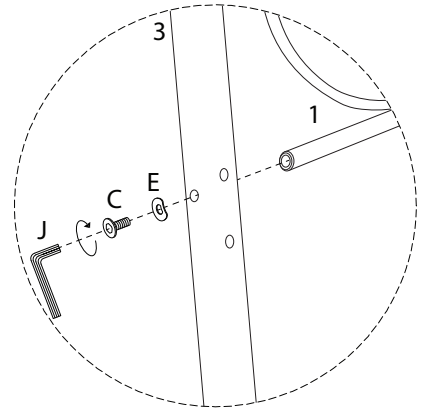
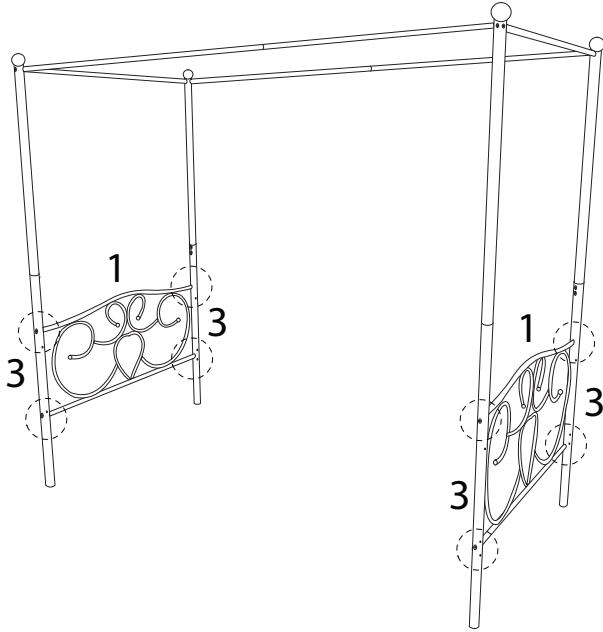
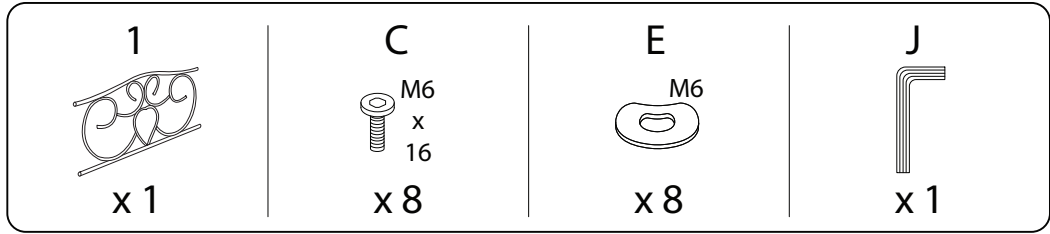
**D**  
M6  
x  
10  
x 8

**E**  
M6  
x 8

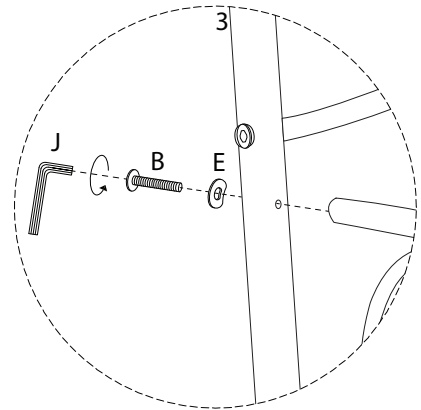
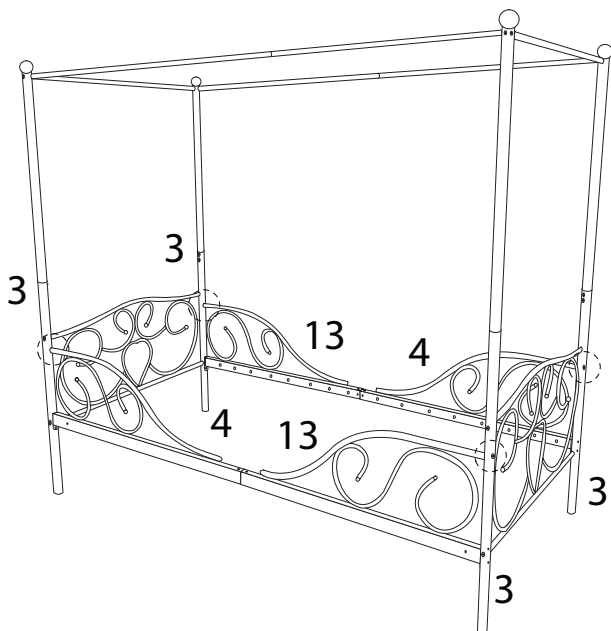
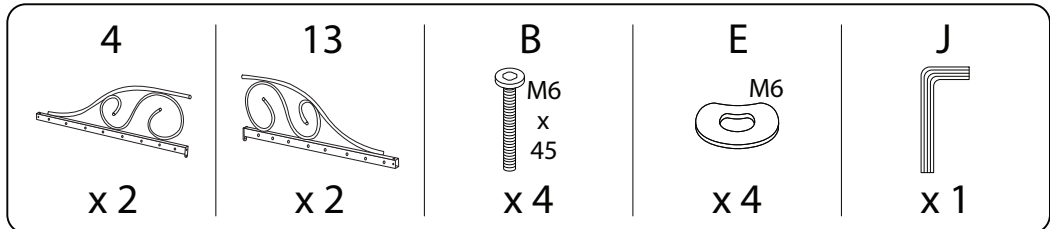
**J**  
x 1



5

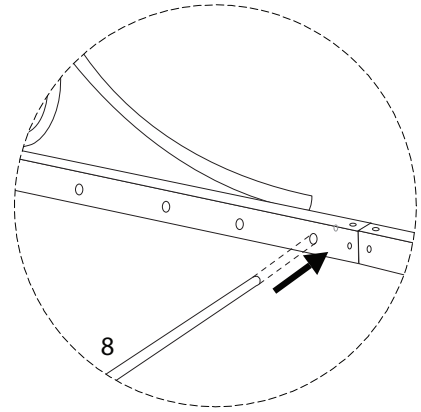
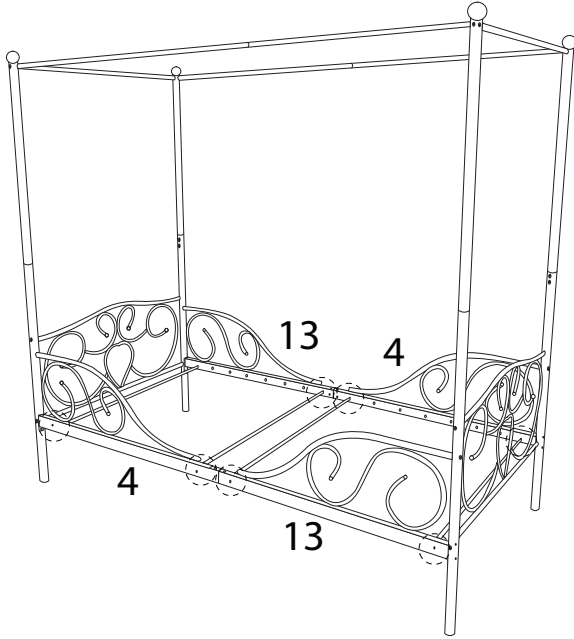
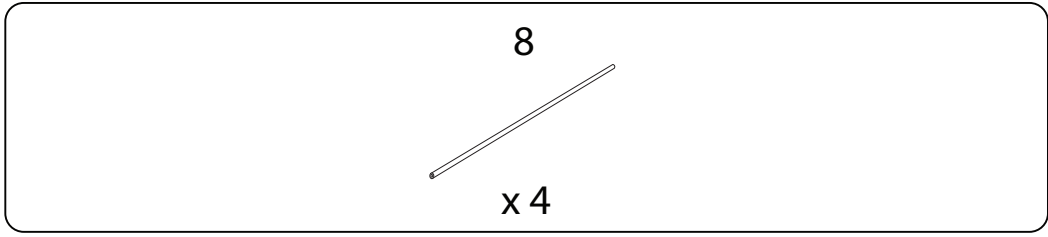


6

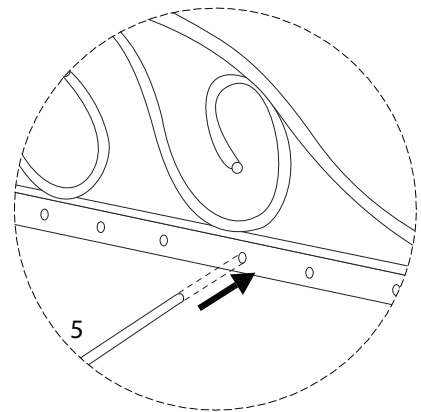
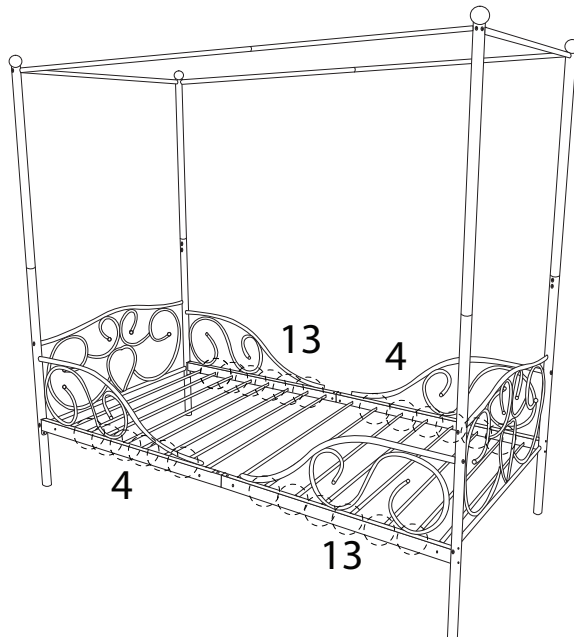
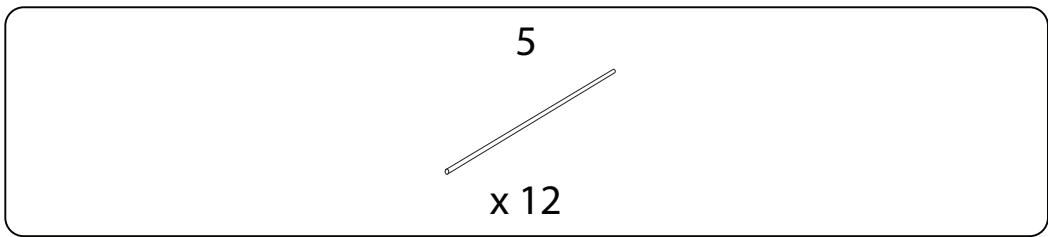




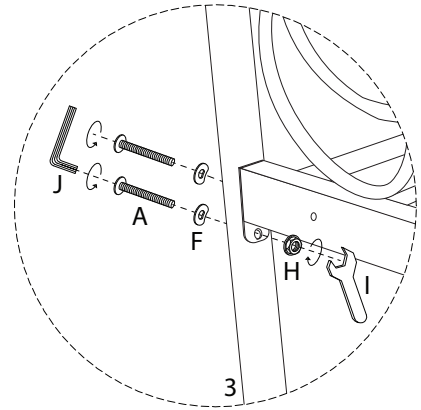
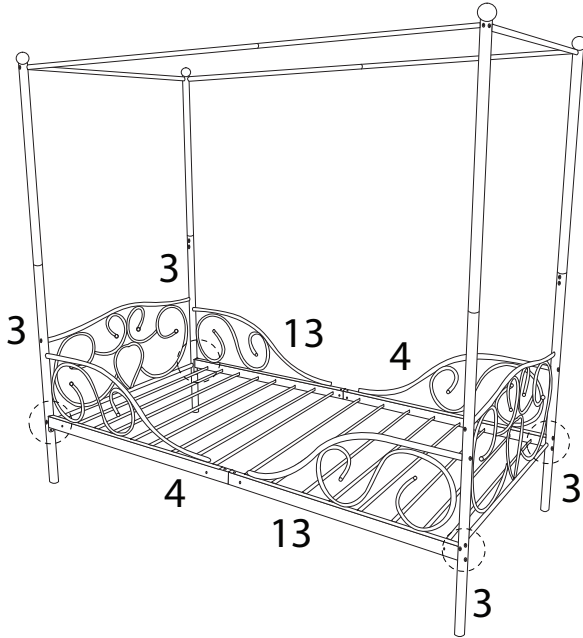
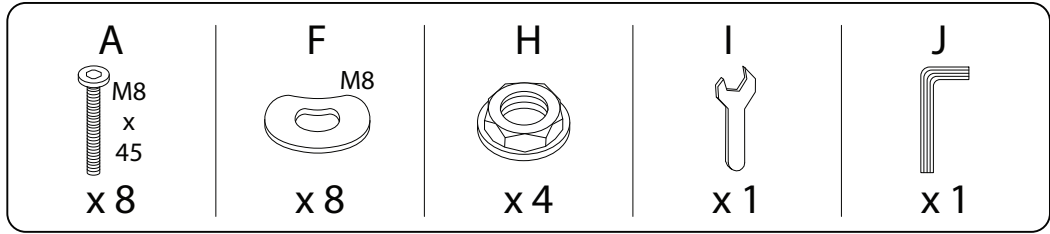
7



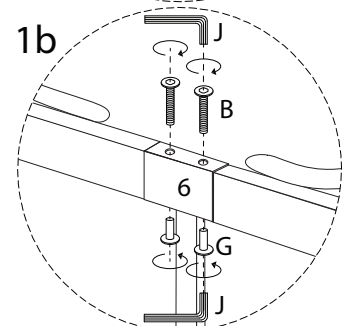
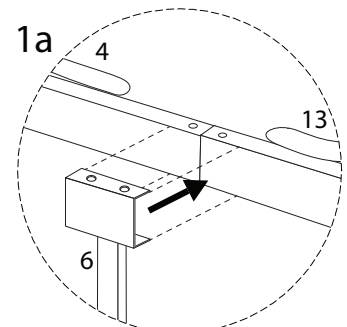
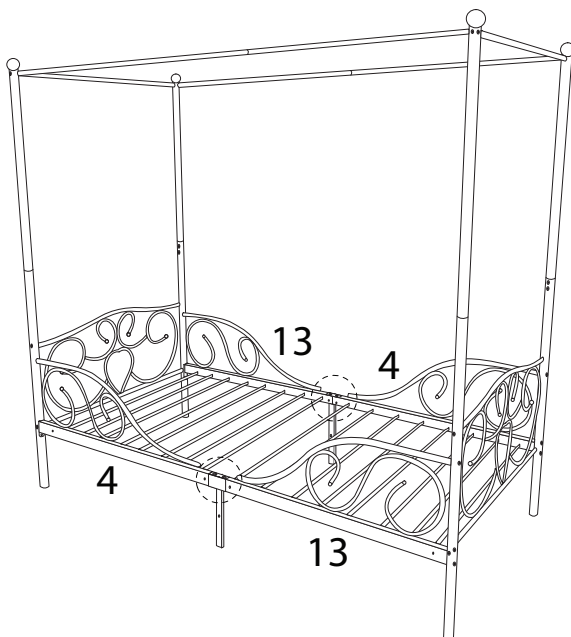
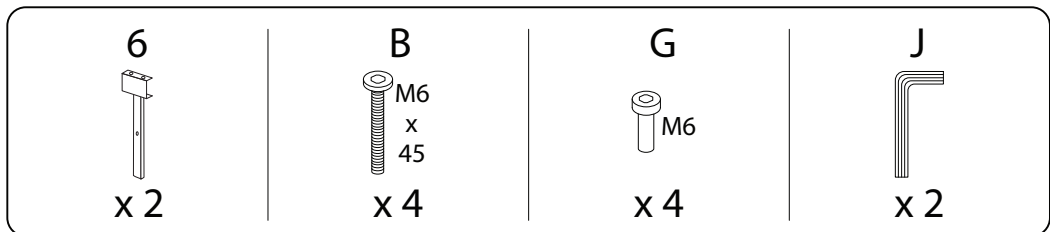
8



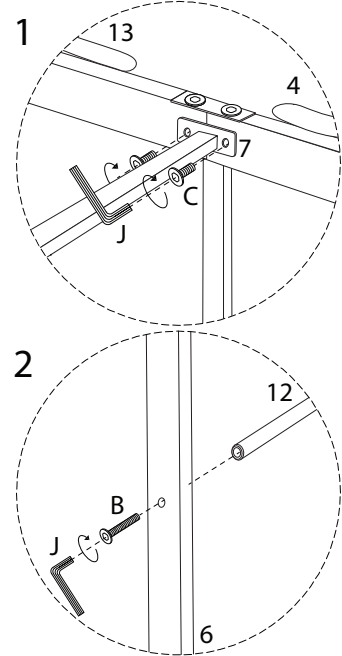
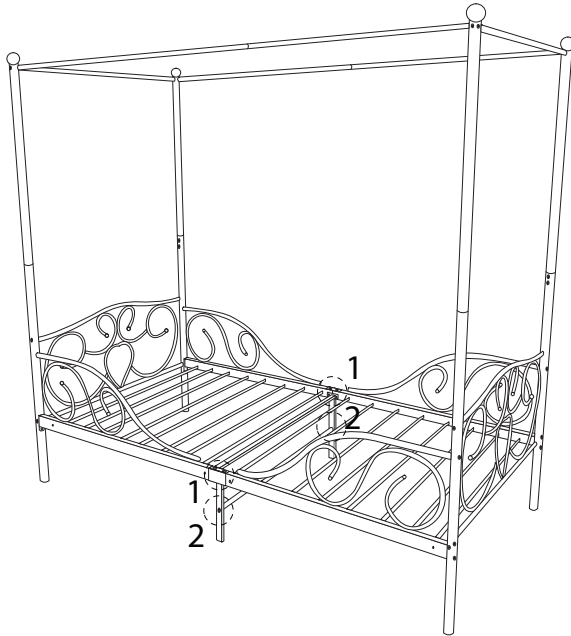
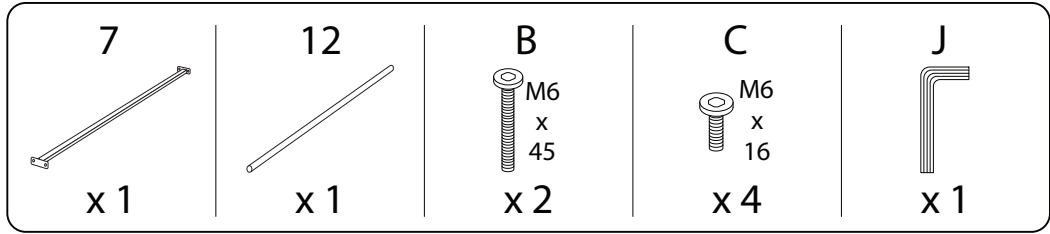
9



10



11



12

