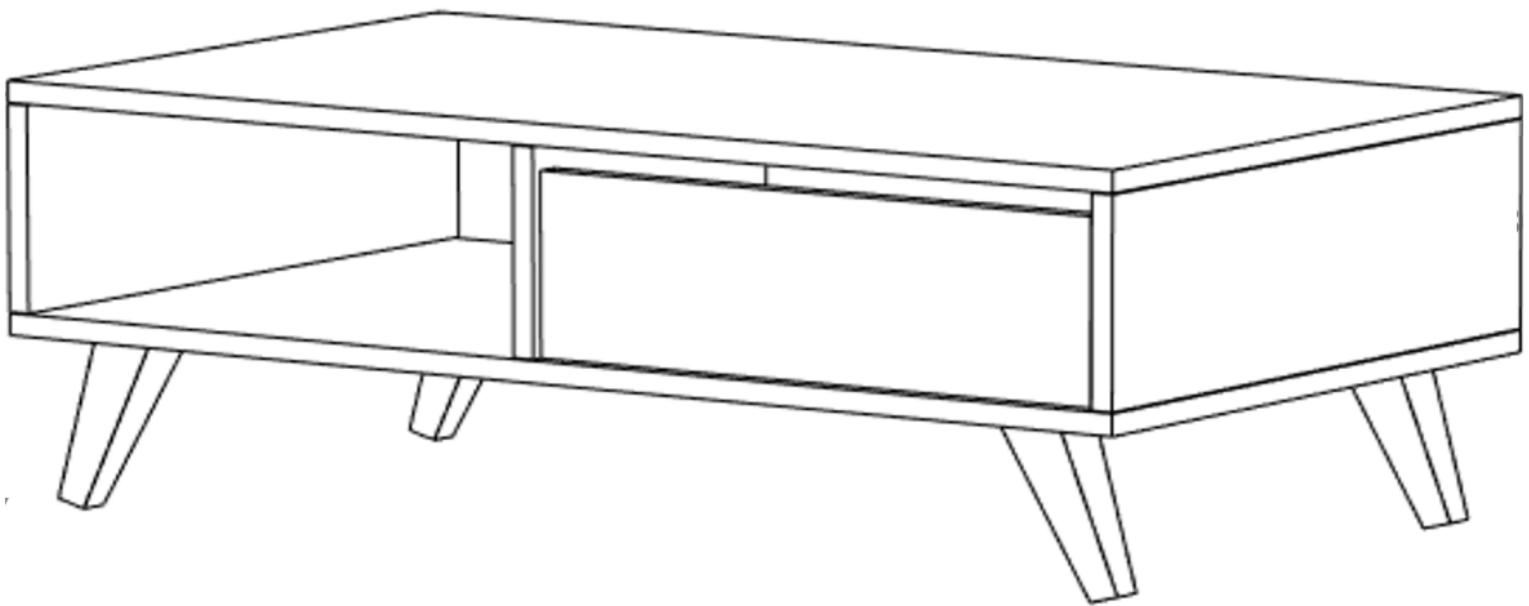
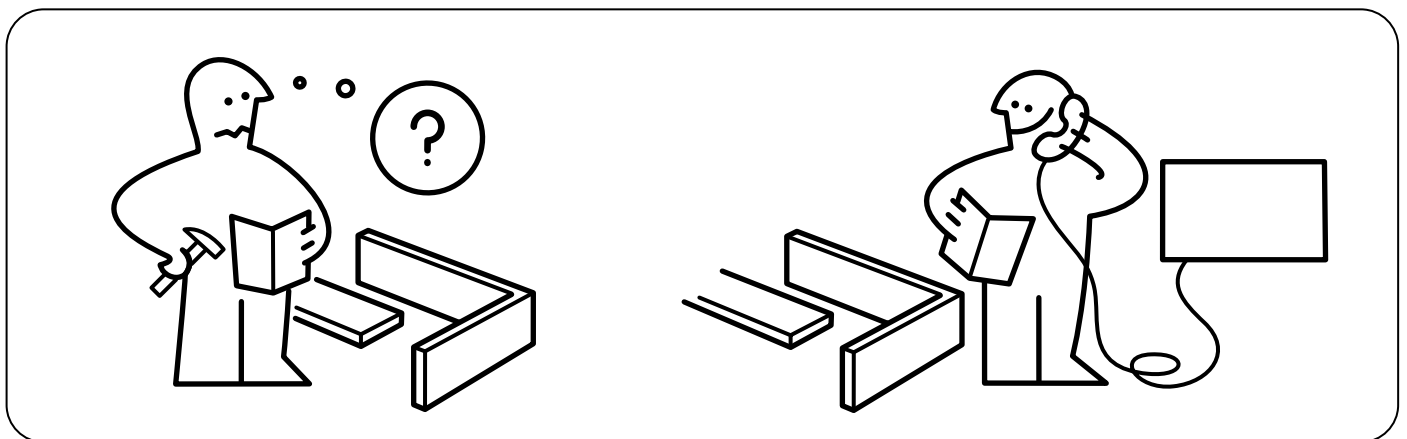
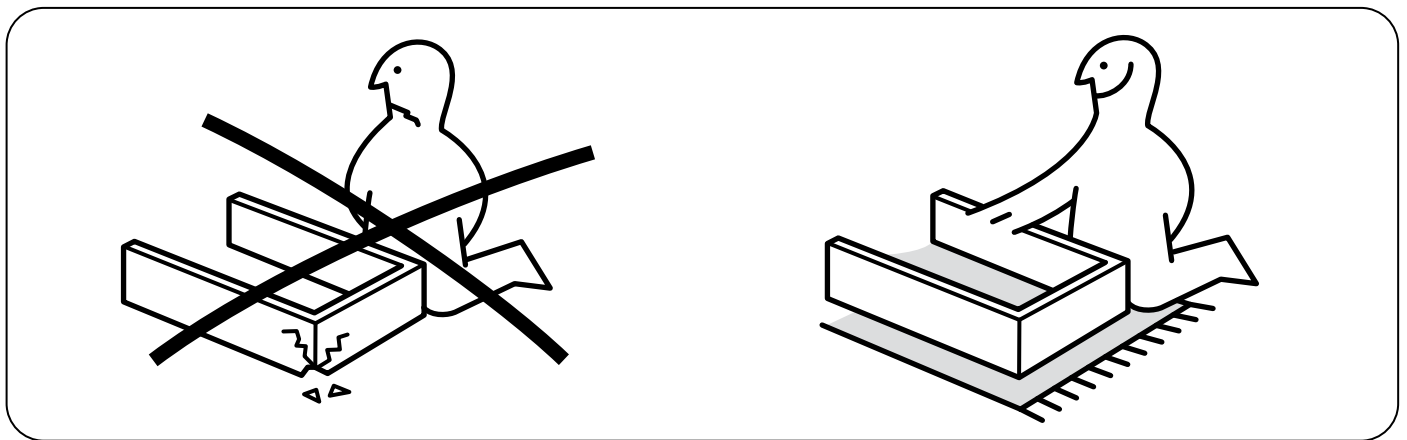
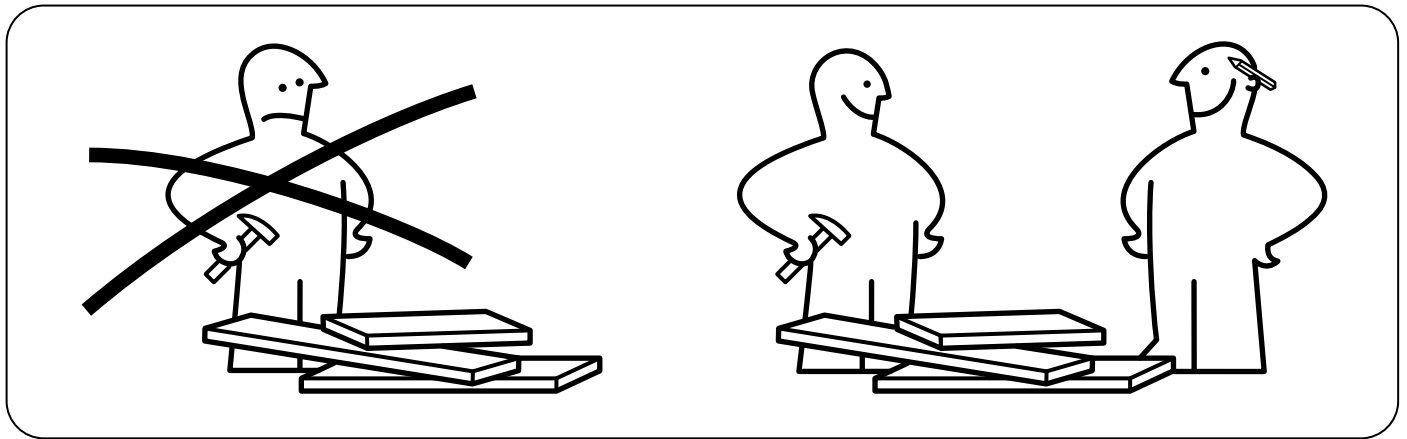
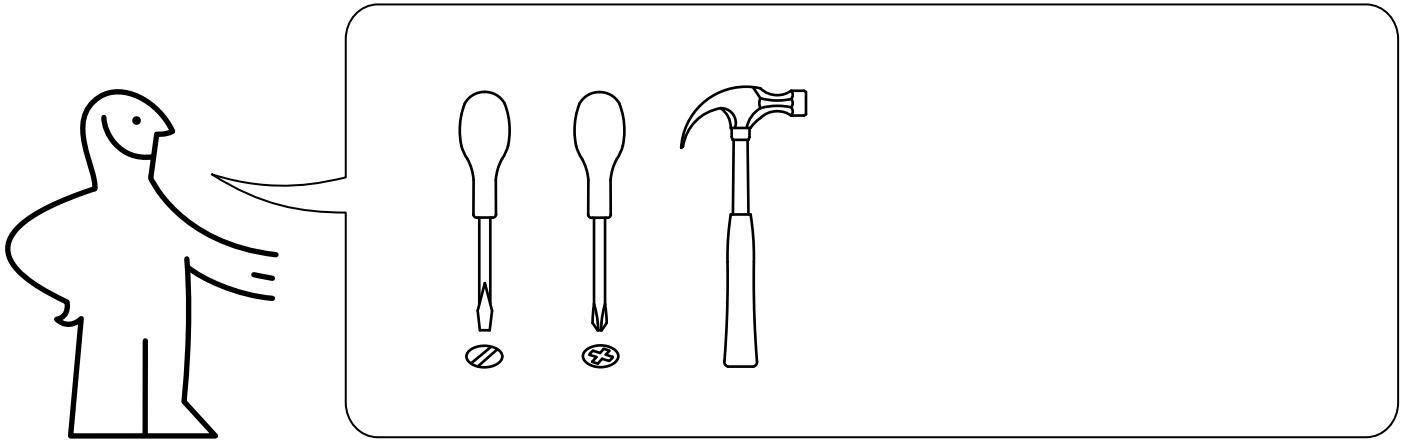


# SOLAMIA

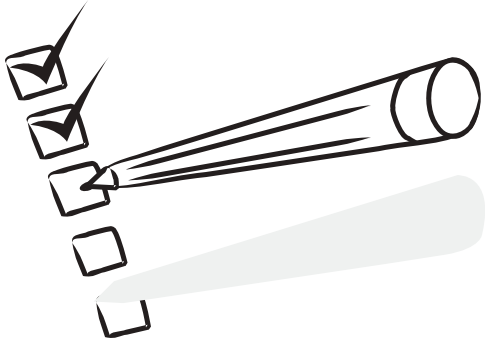






Dear Customer,

We design and produce our product for people to love and have fun with them as we do. The product you bought was subjected to all sorts of tests and control before sending out to you.



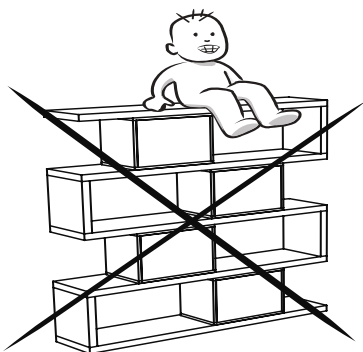
Before start assembling, please check the whole components and accessories according to the lists. If you bought more than one product, to prevent confusion be sure that you completed the first product. Then start the other product's assembling.



Before start assembling, please clean all the components with a damp cloth. Also for usual cleaning, this will be enough.



Although all the products are produced and packed carefully, sometimes happen that some component is damaged during the transportation. In such a case please check the missing or damaged part and do not hesitate to contact us.

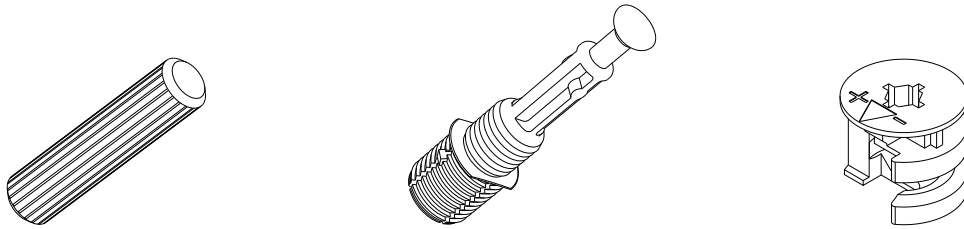


Do not use furniture for out of purposes. If you would like to use it, please contact us for further questions. Do not directly contact your furniture with excessive heat, cold and humidity because the product can be affected.

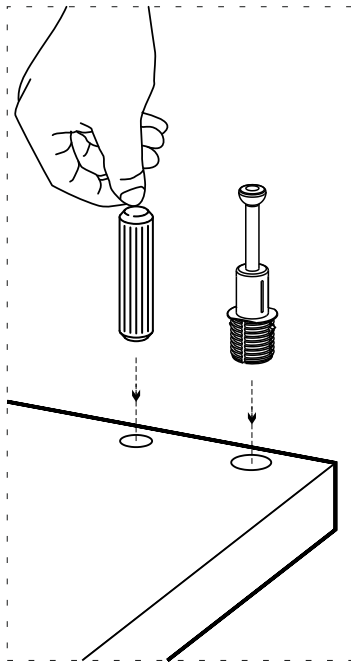


# ATTENTION !!

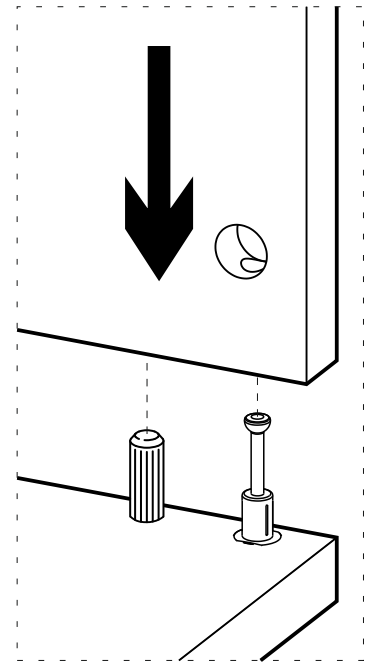
Minifix is the main connection material used in demoduler products. Before starting the assembly, please check the drawings below.



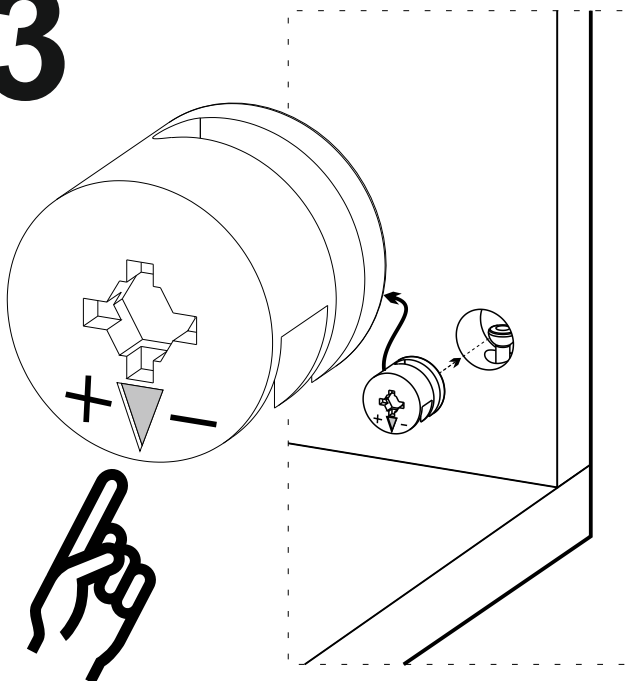
**1**



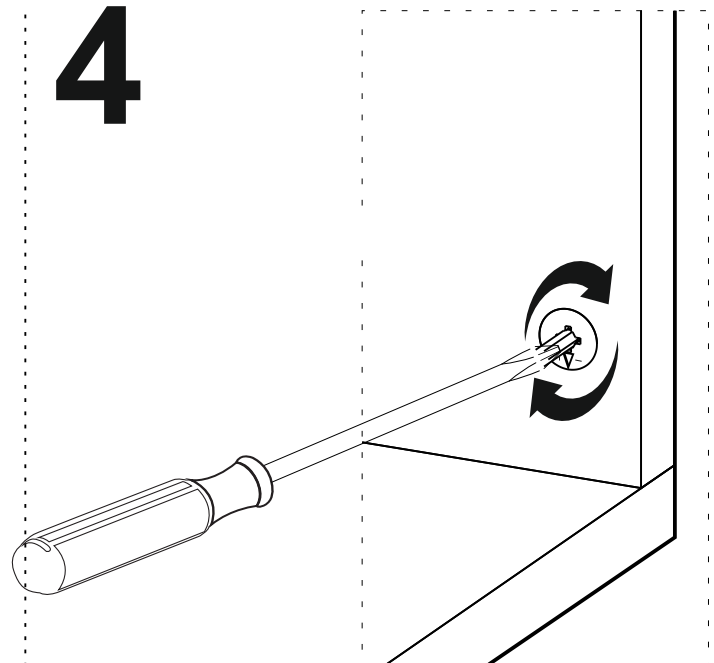
**2**

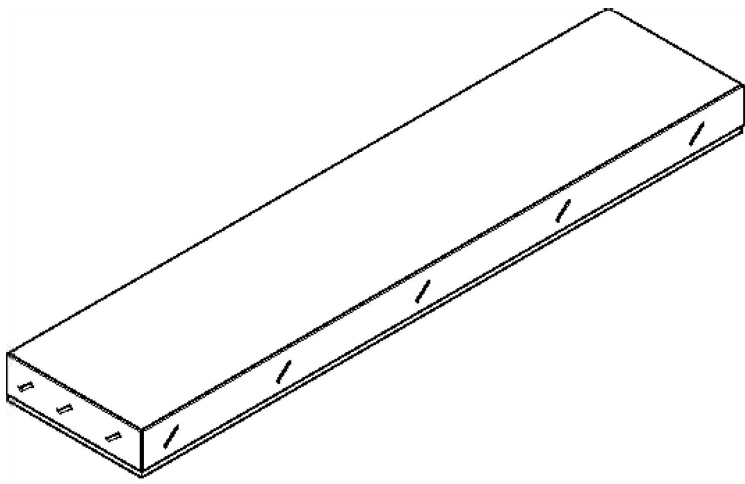


**3**



**4**

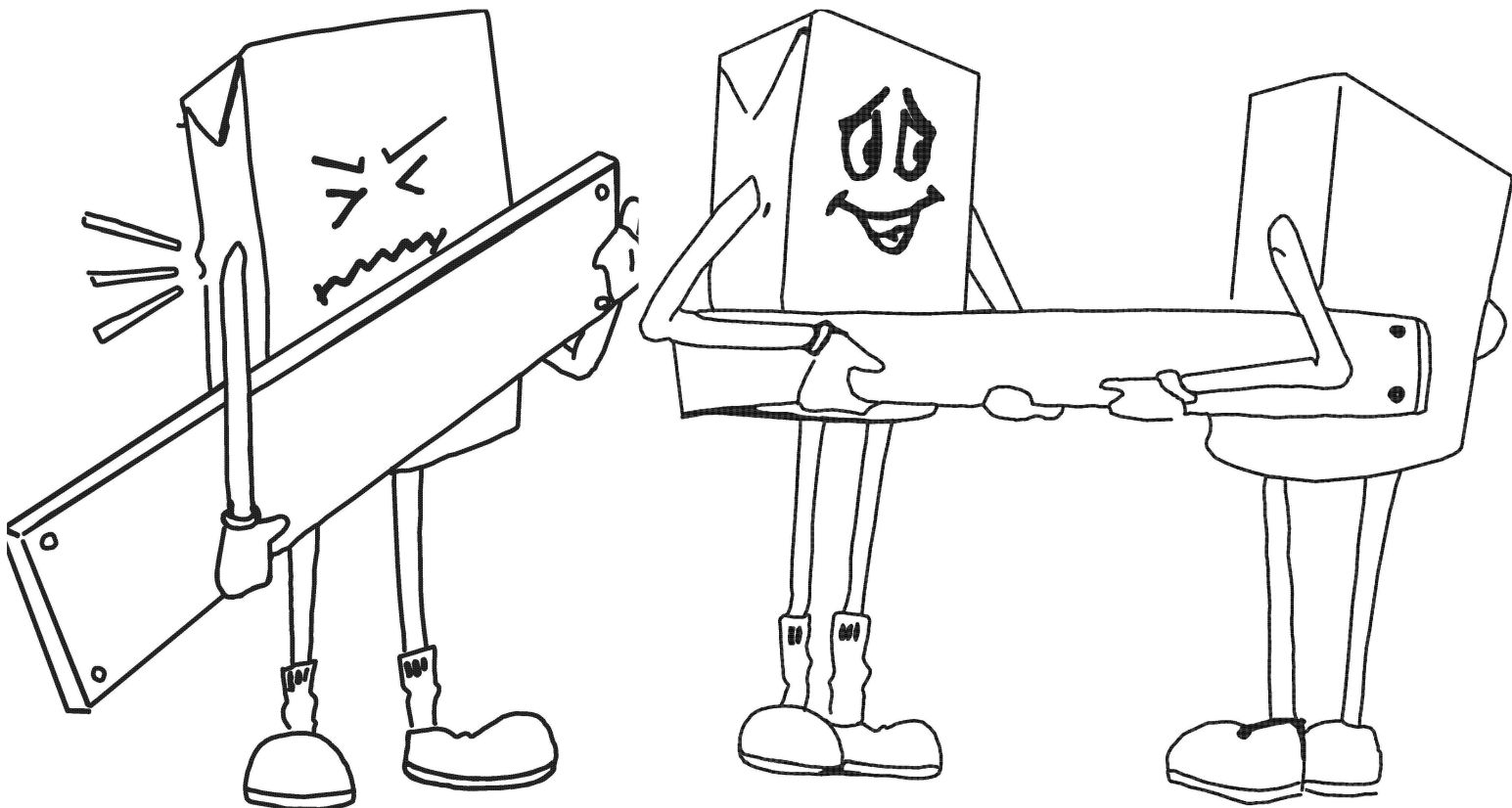




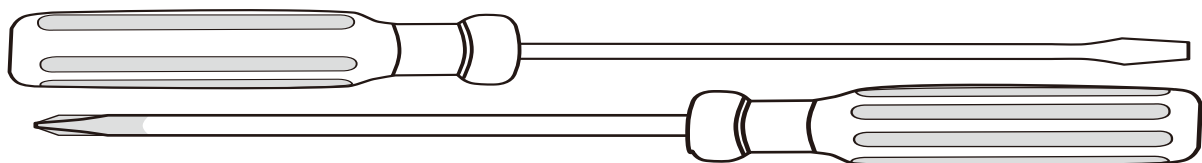
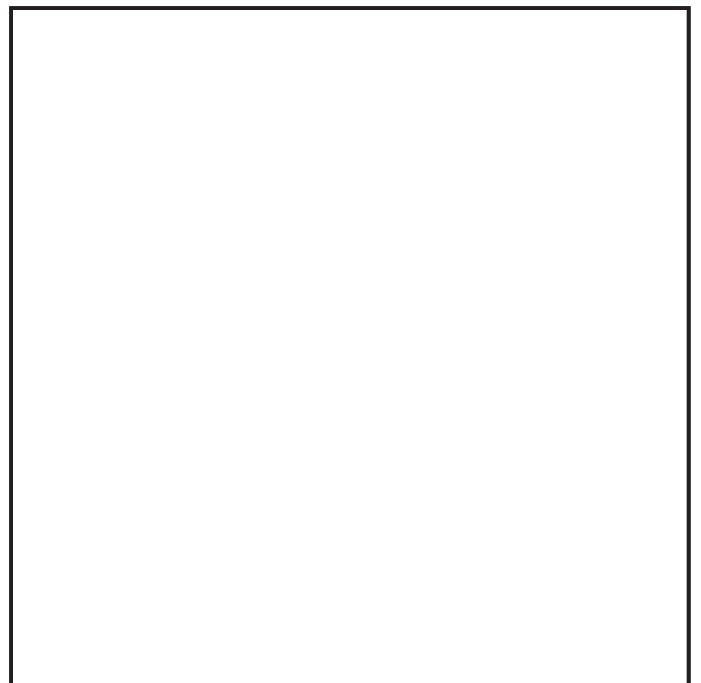
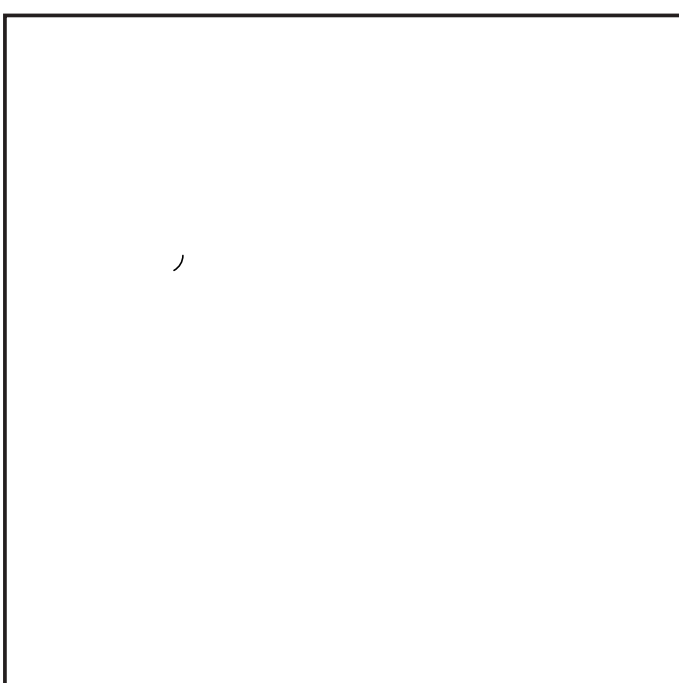
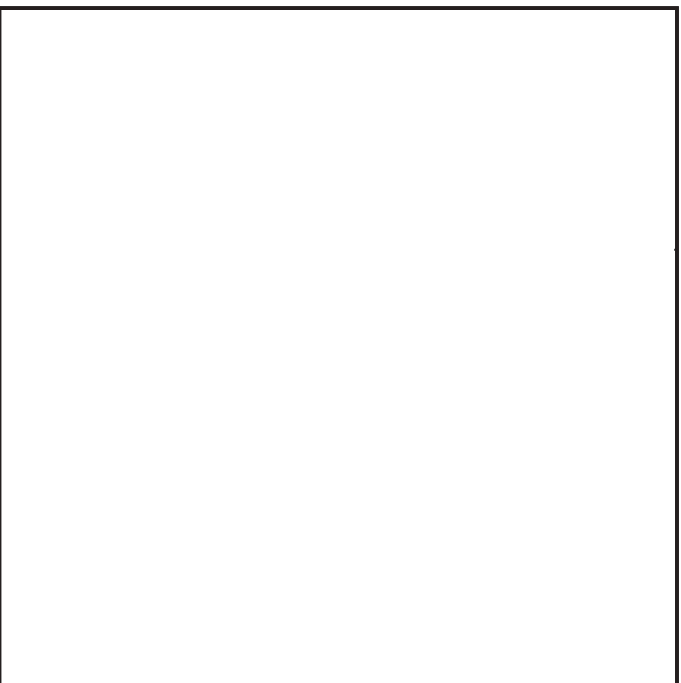
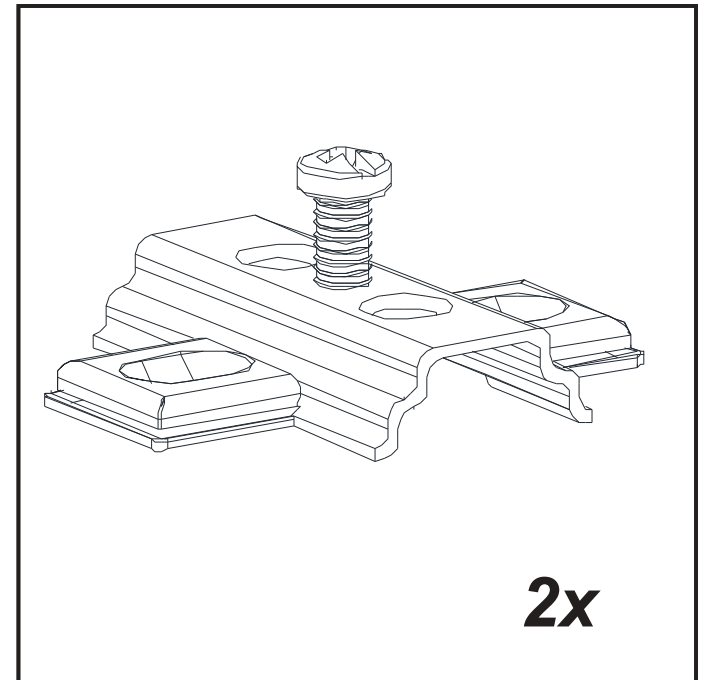
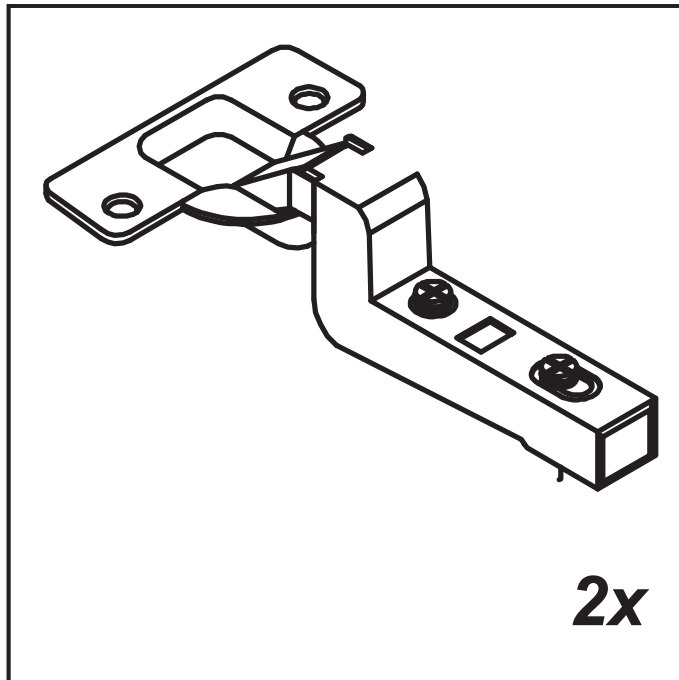
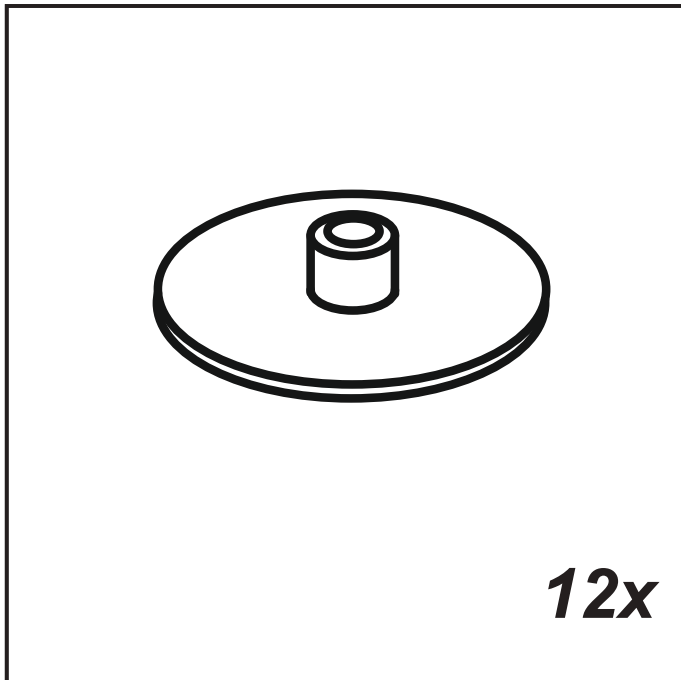
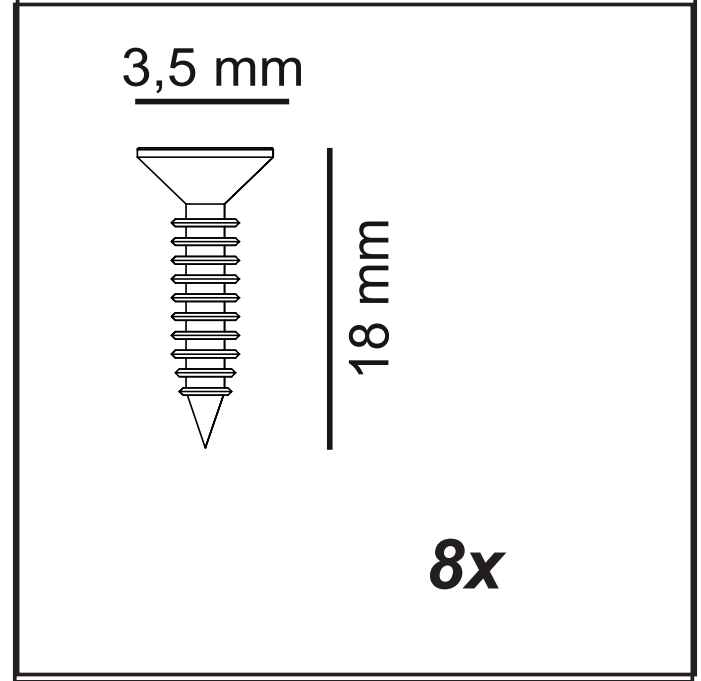
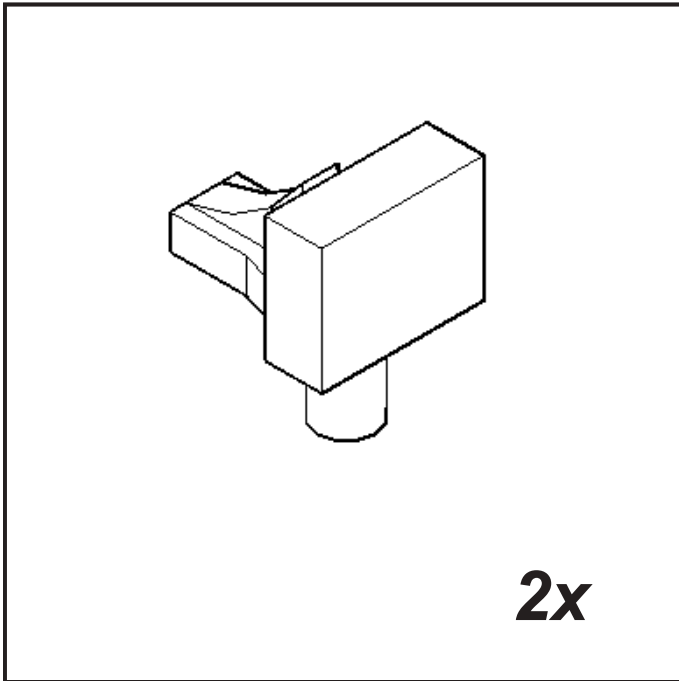
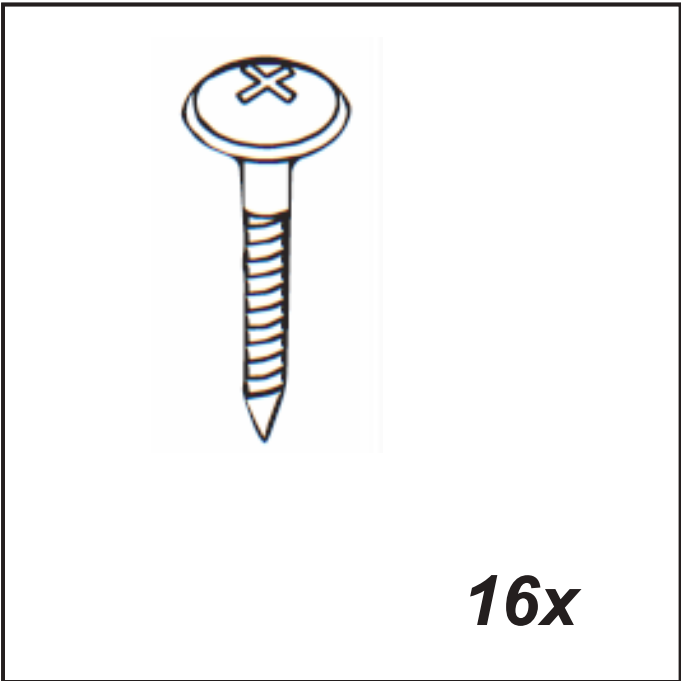
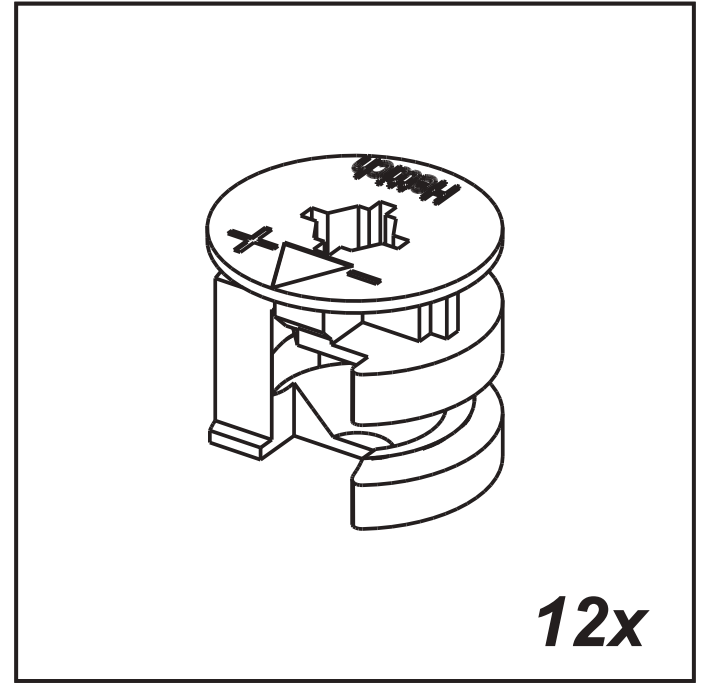
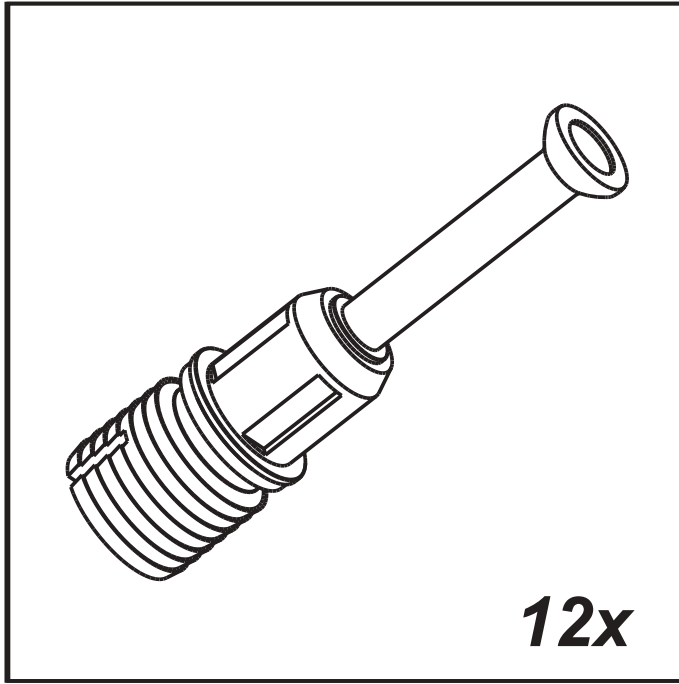
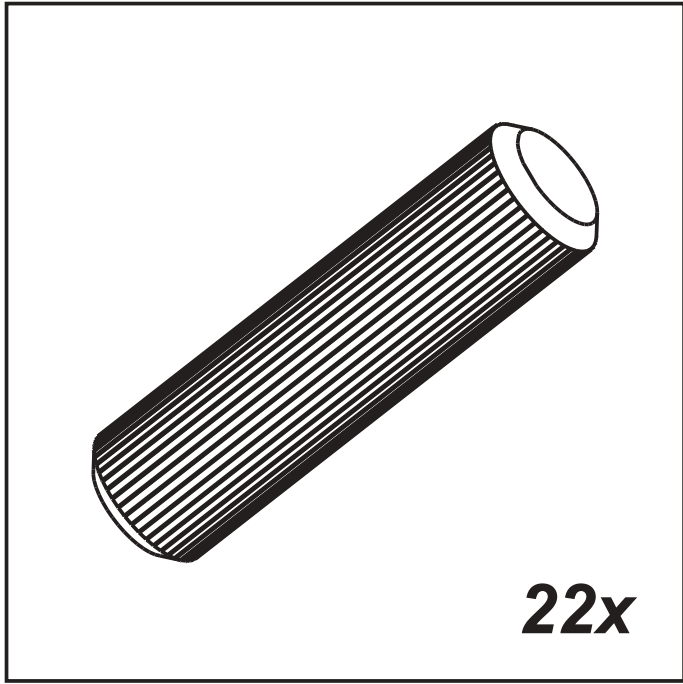
minute

### Total 1 Package

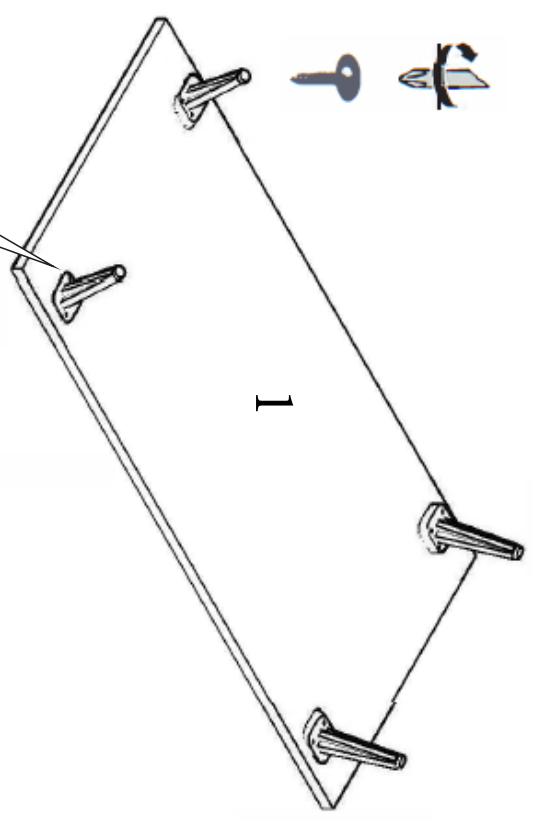
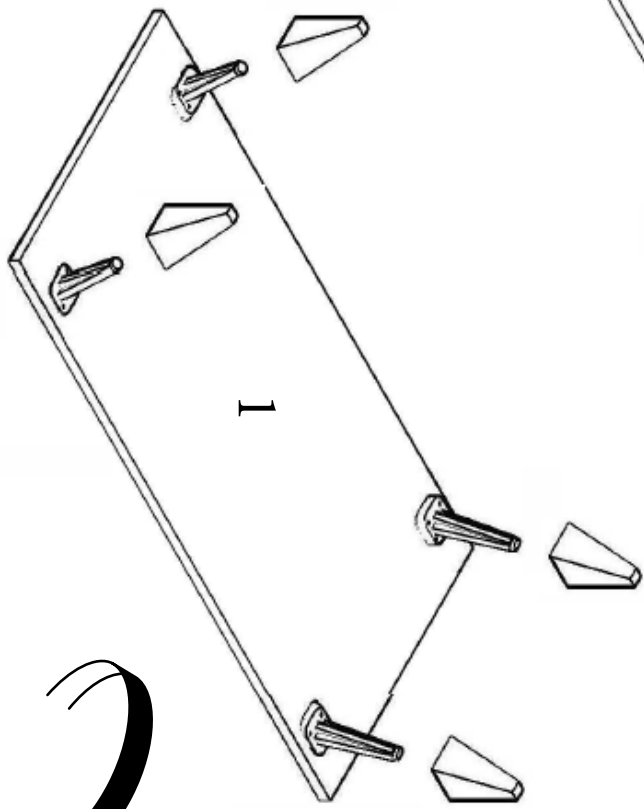
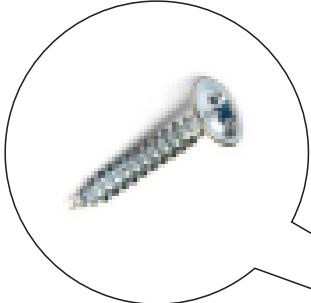
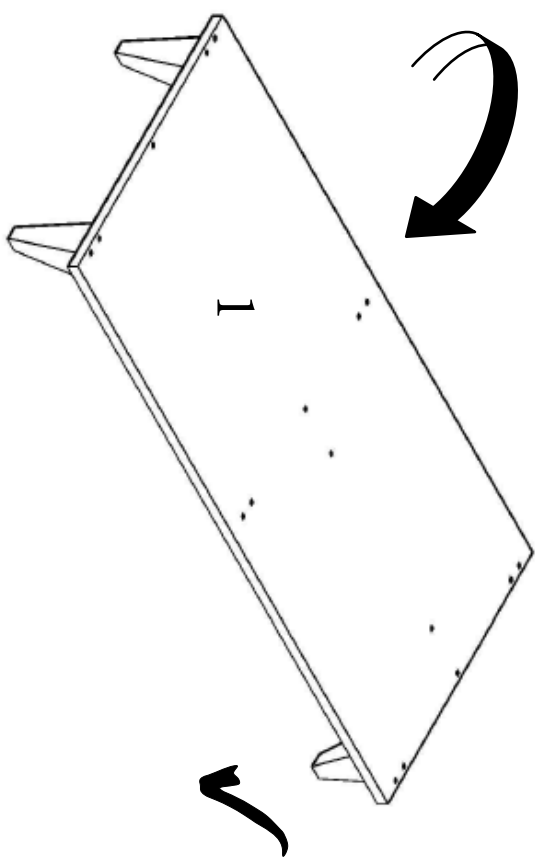
864 mm	560 mm	x	1	Number-1
864 mm	262 mm	x	2	Number-2-3
560 mm	280 mm	x	1	Number-4
400 mm	100 mm	x	2	Number-8-10
461 mm	90 mm	x	1	Number-9
560 mm	280 mm	x	1	Drawer Door
262 mm	200 mm	x	1	Number-5
262 mm	524 mm	x	1	Number-6
646 mm	524 mm	x	1	Number-7



# Accessory Parts

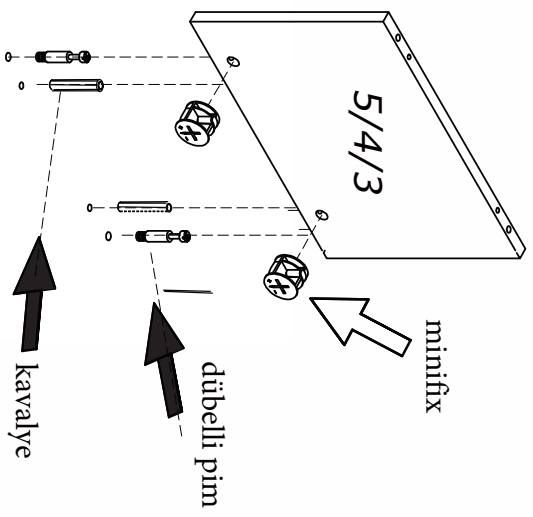
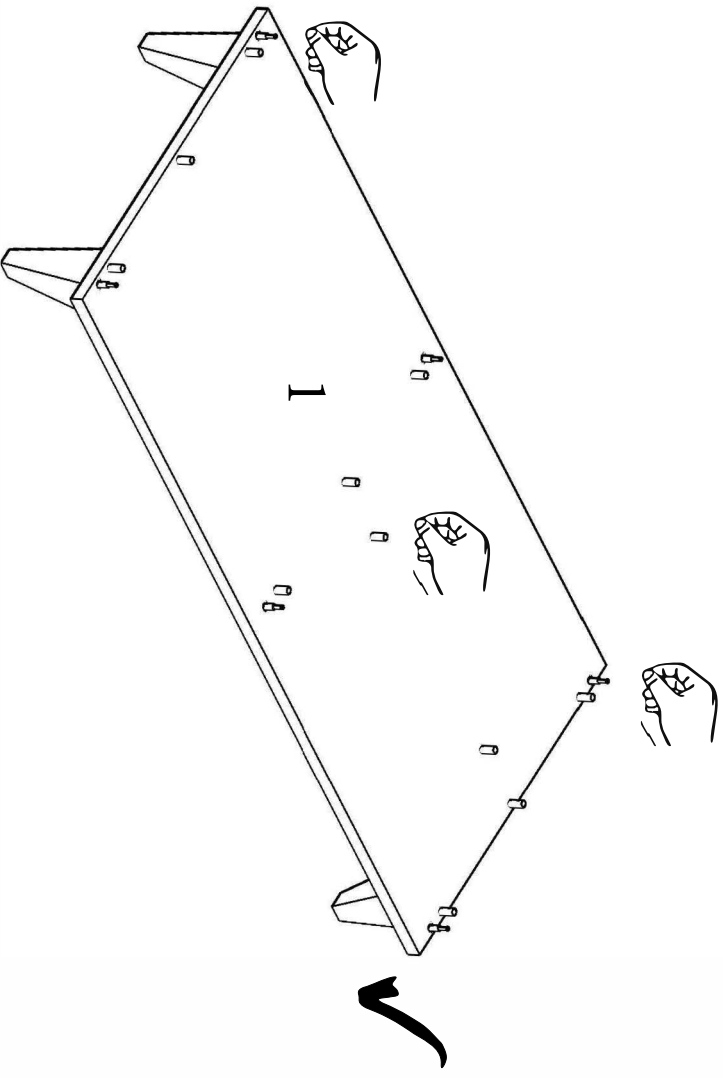
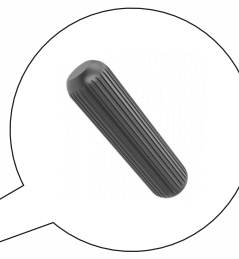
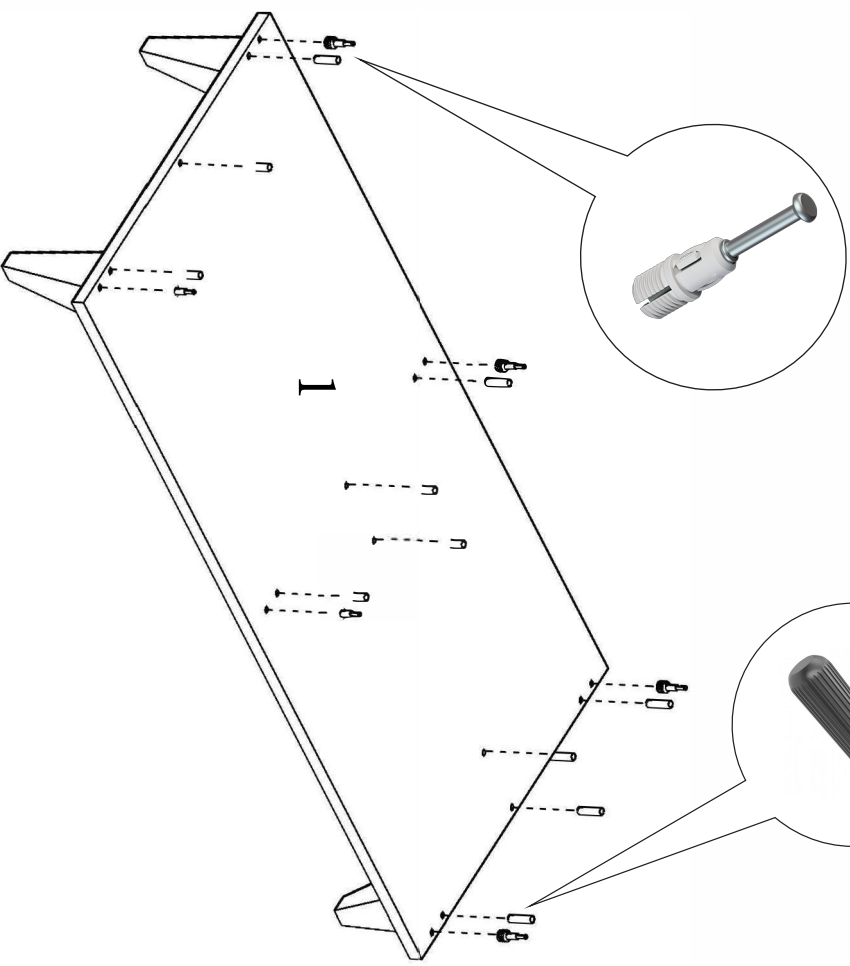
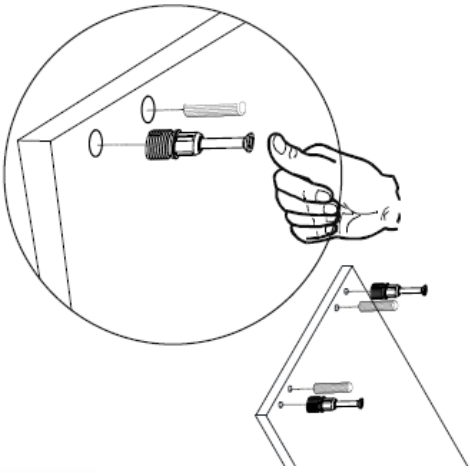


Phillips & Flathead screwdrivers required.  
For quicker assembly, we recommend the use of a power drill on a low-speed setting.

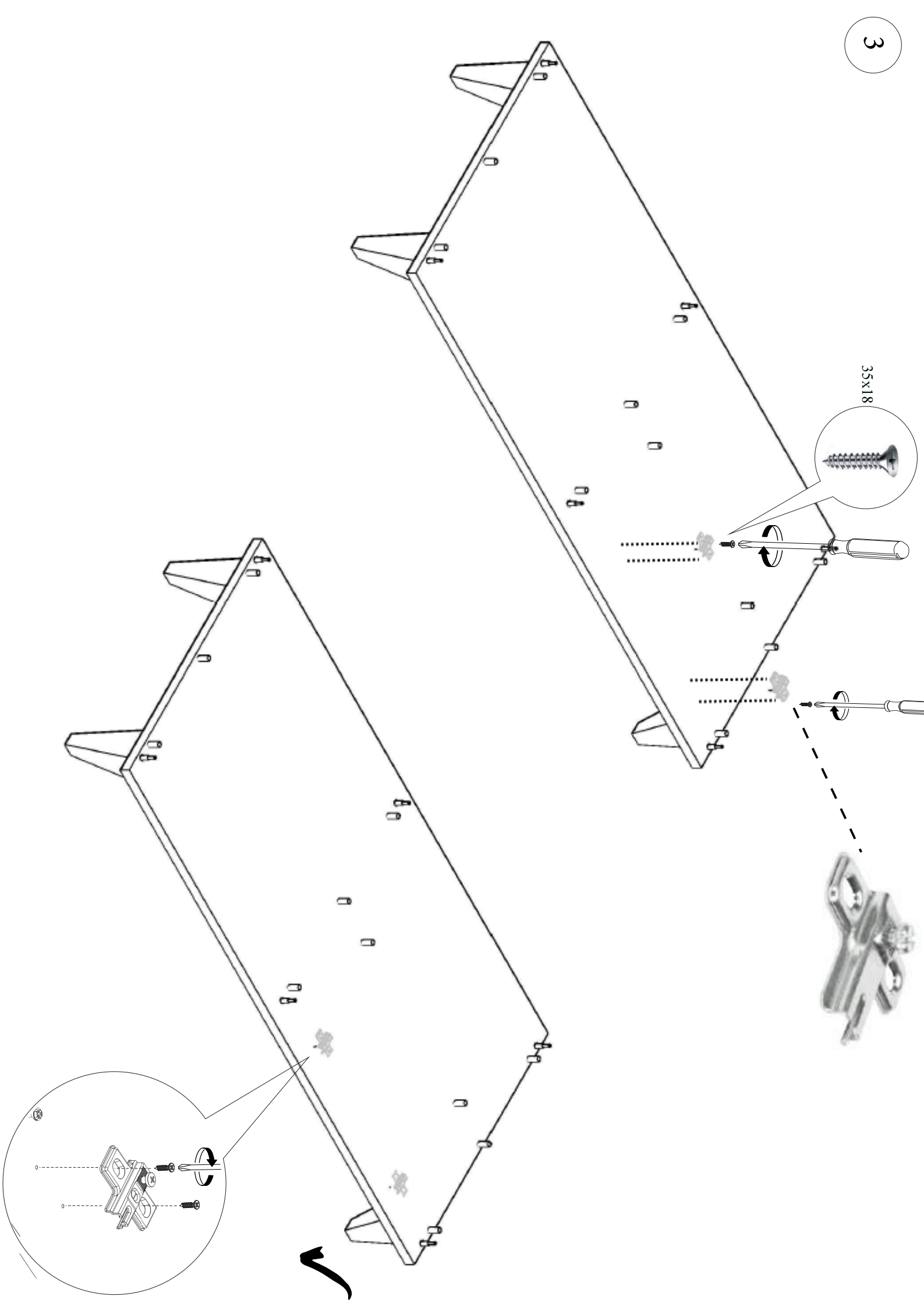


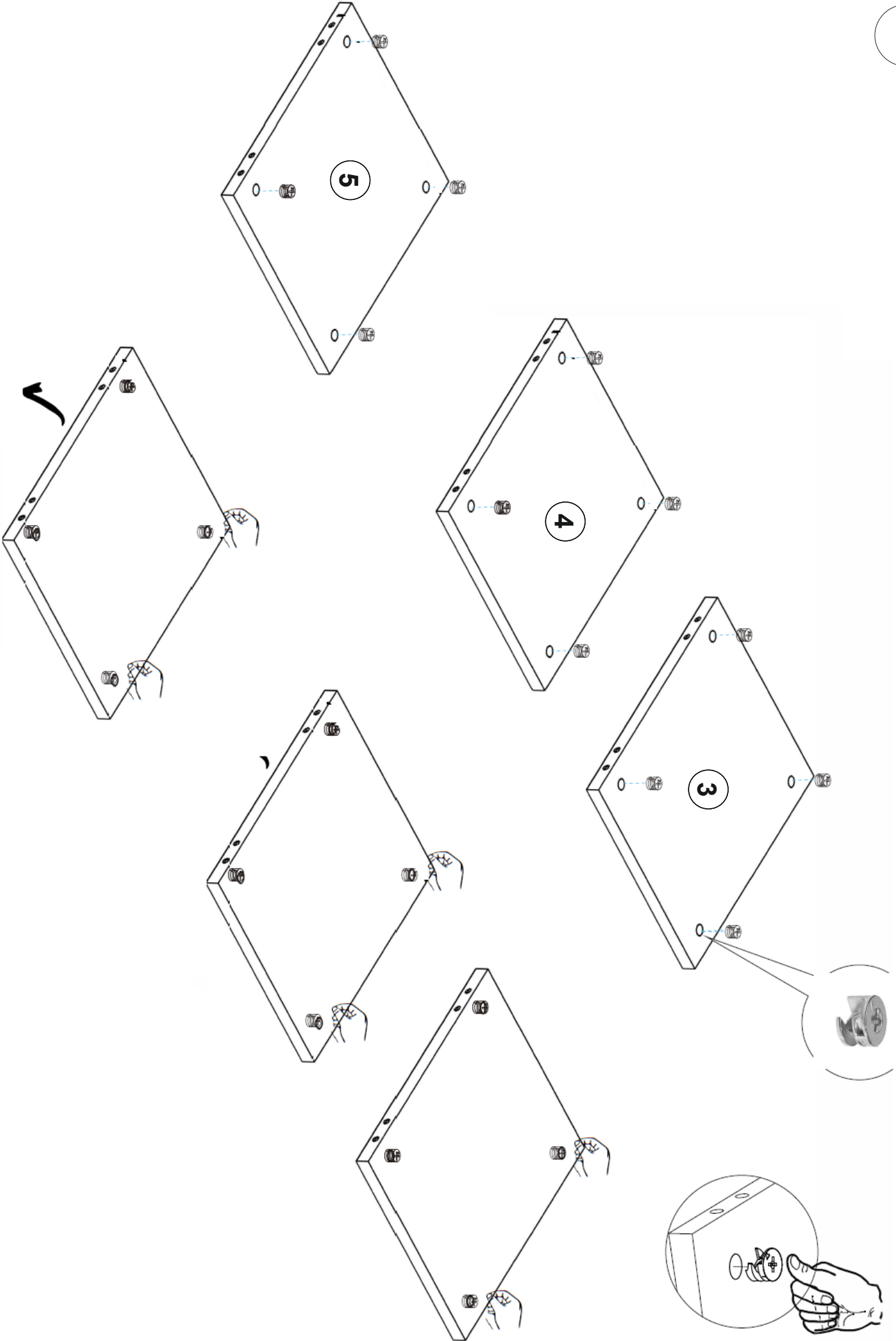
X16

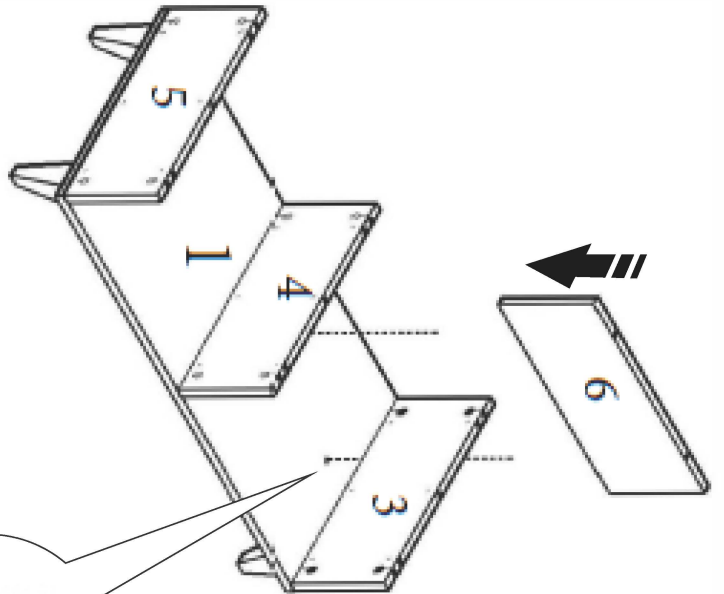
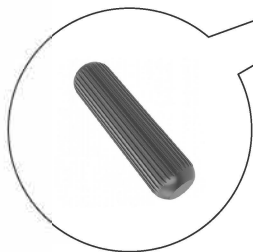
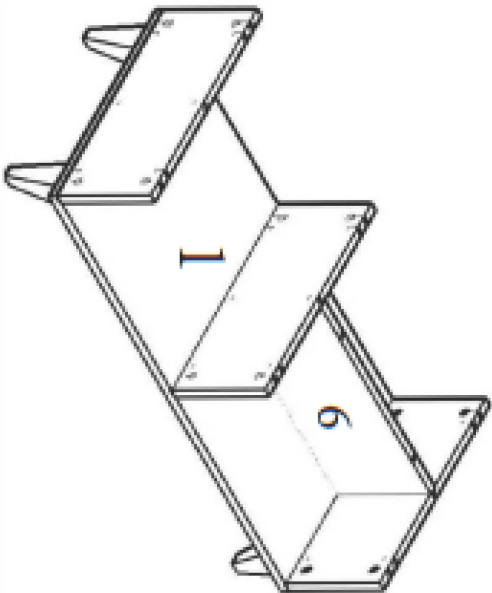
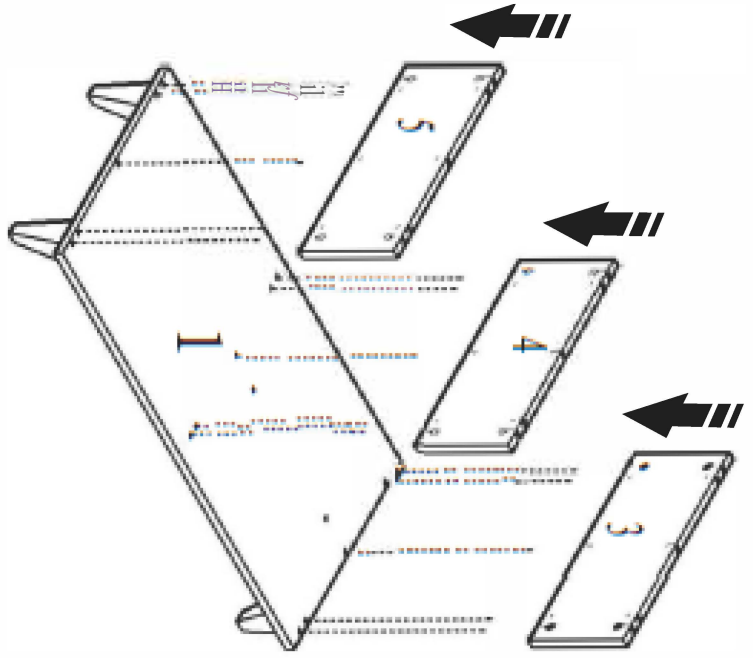
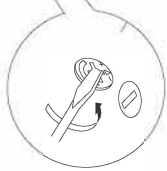
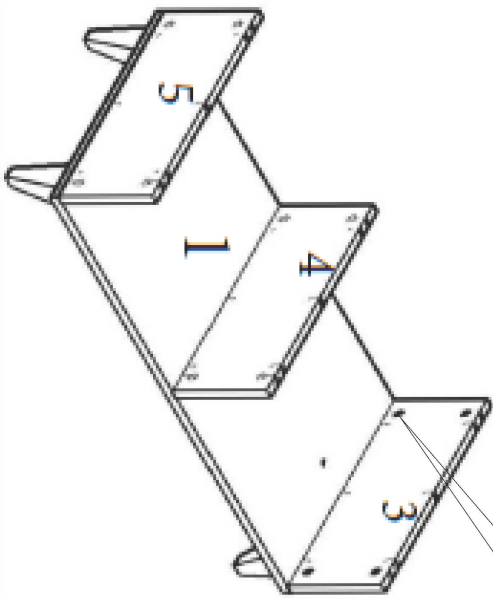




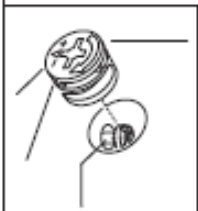
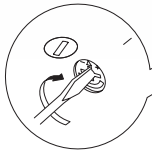
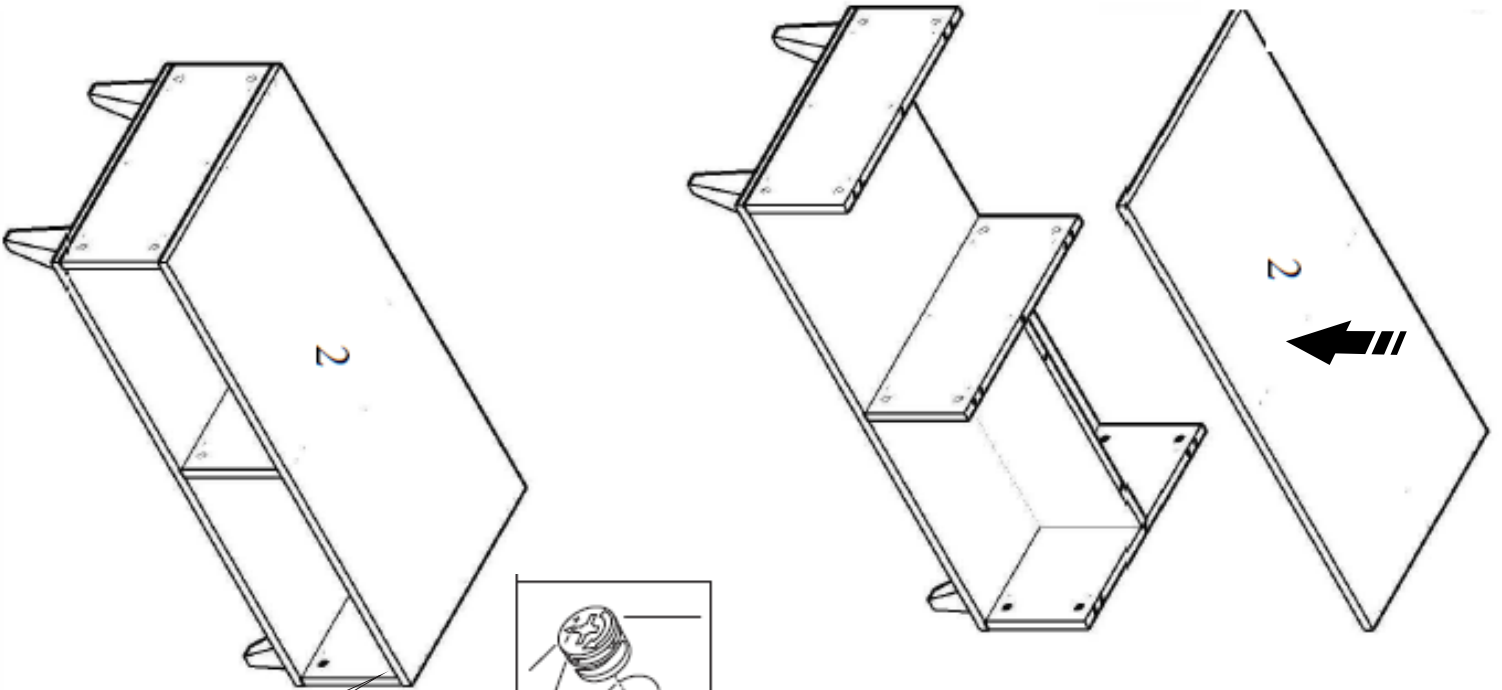
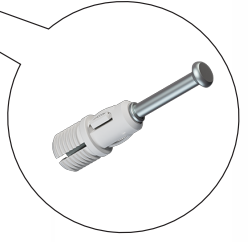
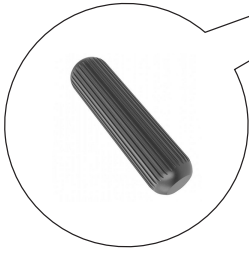
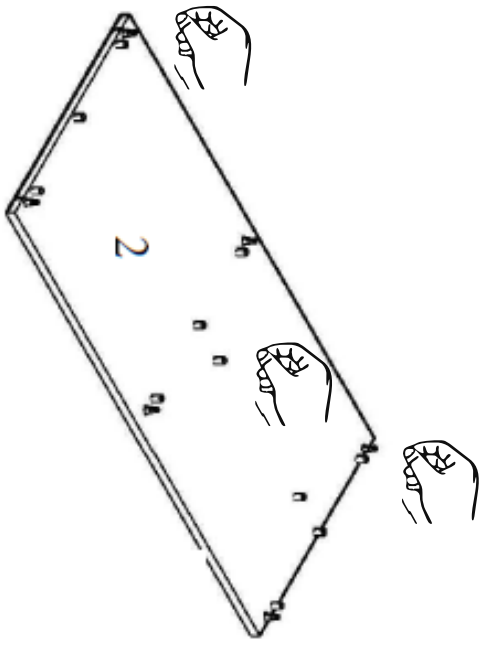


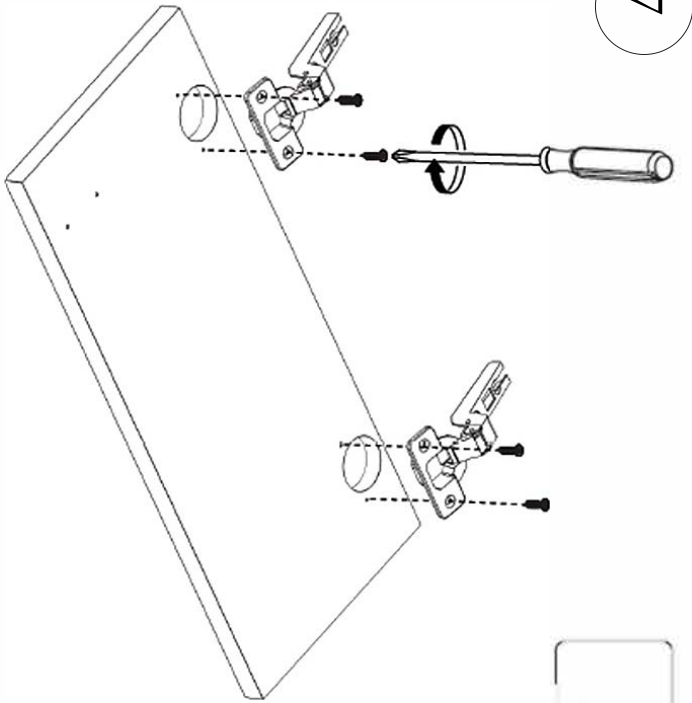
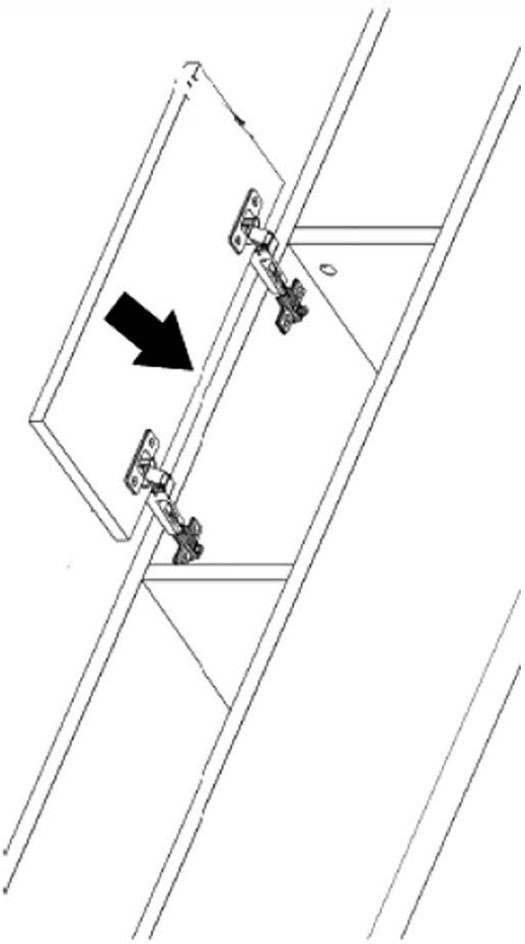




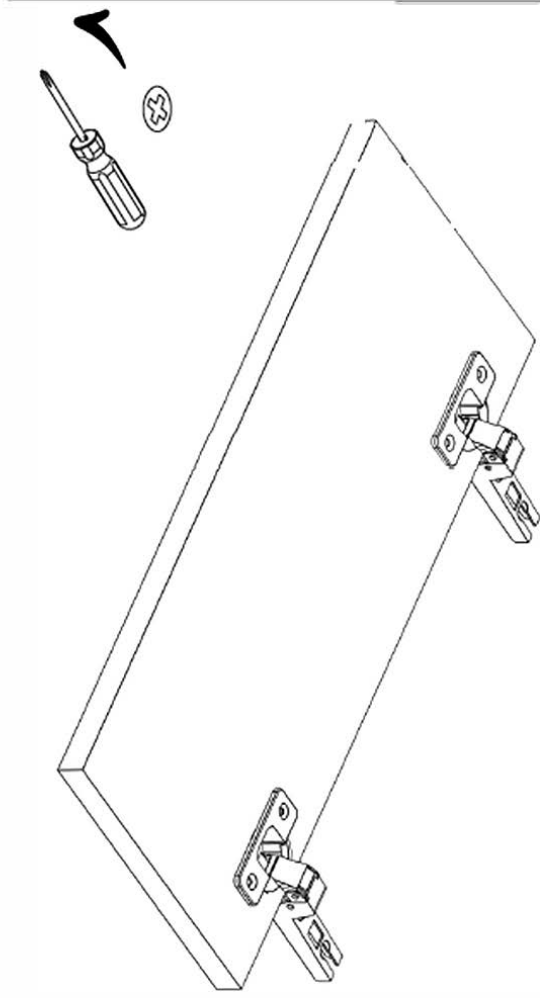


6





Screw / Torx  
L.5x11mm



Screw/Torx  
3.5x15mm

