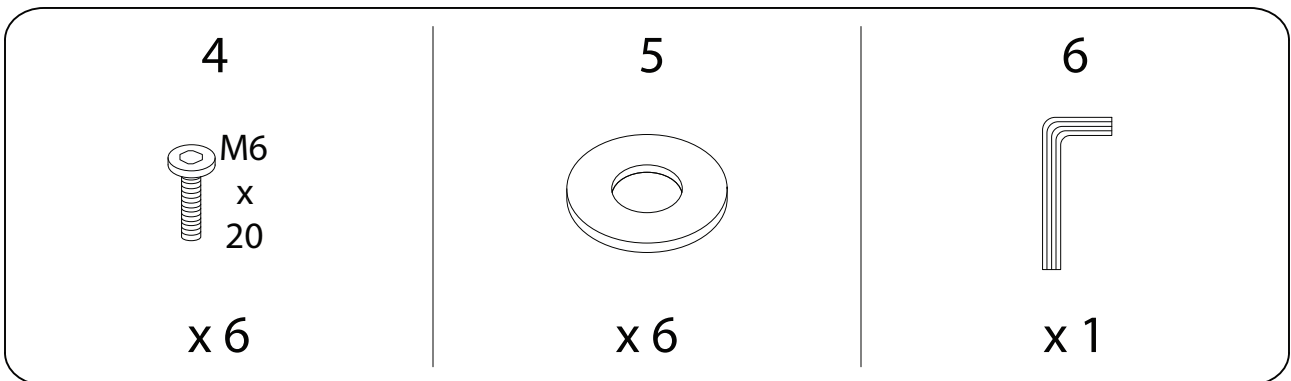
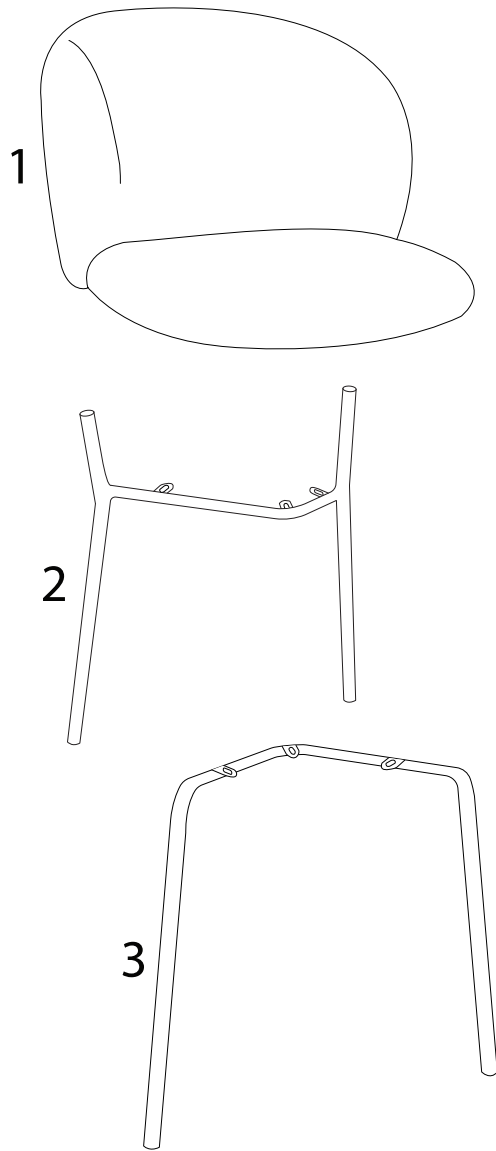
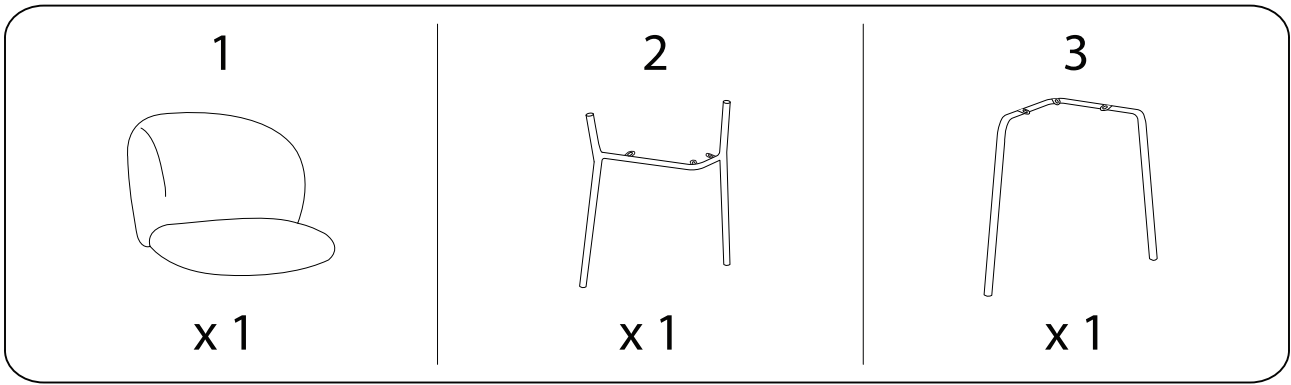


MILES





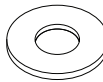
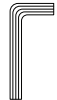




| | | |
|---|--|---|
| An icon showing an L-shaped metal bracket inside a circle, and a power drill with a diagonal line through it, indicating that a drill should not be used on this part. | A warning triangle icon with an exclamation mark inside. | A clock icon with a circular arrow around it, indicating a time limit. |
| An icon showing a rectangular block on a surface with a hatched area underneath, and a similar block with a hole and a diagonal line through it, indicating that a hole should not be drilled into the block. | A warning triangle icon with an exclamation mark inside. | A simple icon of a person, representing the number of people required for the task. |
| | | 10' |
| | | 1 |



1

| | | | | | |
|--|--|--|--|--|--|
| <p>1</p>  <p>x1</p> | <p>2</p>  <p>x1</p> | <p>3</p>  <p>x1</p> | <p>4</p>  <p>M6 x 20</p> <p>x6</p> | <p>5</p>  <p>x6</p> | <p>6</p>  <p>x1</p> |
|--|--|--|--|--|--|

