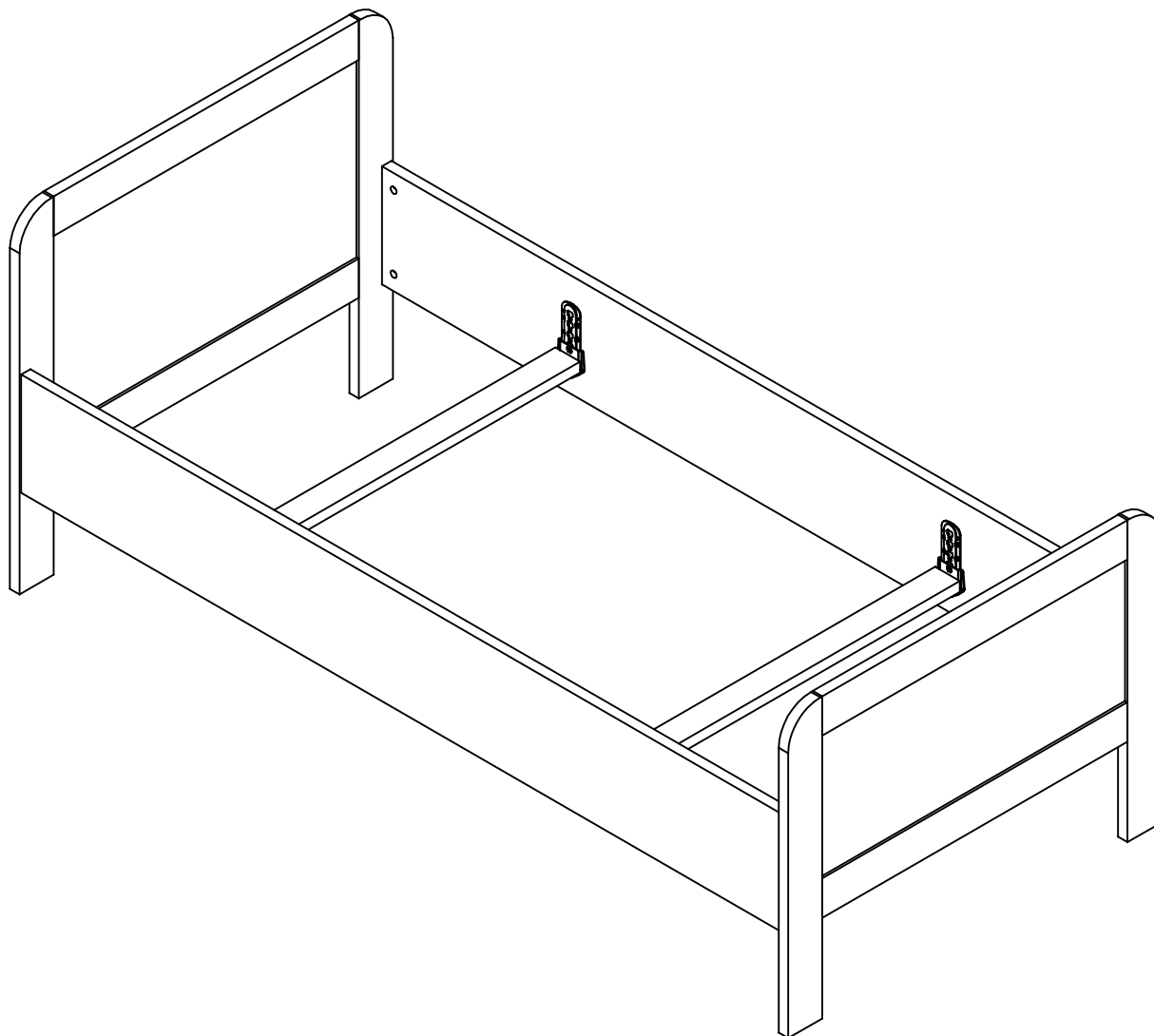


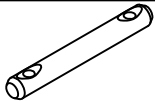





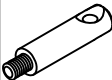


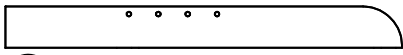


# SENIOR

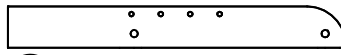


|          |                                                                                                   |           |          |                                                                                                |           |
|----------|---------------------------------------------------------------------------------------------------|-----------|----------|------------------------------------------------------------------------------------------------|-----------|
| <b>A</b> |  Ø10 x 30      | <b>24</b> | <b>F</b> |  140 x 48  | <b>4</b>  |
| <b>B</b> |  Ø10 x 80      | <b>8</b>  | <b>H</b> |  70 x 36   | <b>4</b>  |
| <b>C</b> |  Ø16 x 20      | <b>24</b> | <b>I</b> |  Ø3,5 x 20 | <b>24</b> |
| <b>D</b> |  M10 x 13      | <b>24</b> | <b>K</b> |  Ø25 x 1,5 | <b>24</b> |
| <b>E</b> |  M6 x Ø10 x 46 | <b>8</b>  | <b>L</b> |  Ø20       | <b>4</b>  |
|          |                                                                                                   |           | <b>M</b> |  Ø3,5 x 25 | <b>8</b>  |

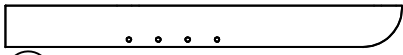




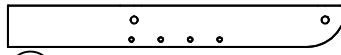
② 25x90x864 - 1



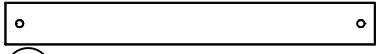
③ 25x90x736 - 1



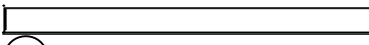
① 25x90x864 - 1



④ 25x90x736 - 1



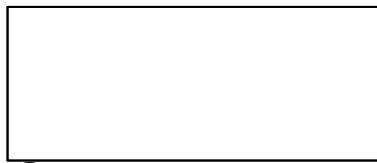
⑦ 25x90x805 - 4



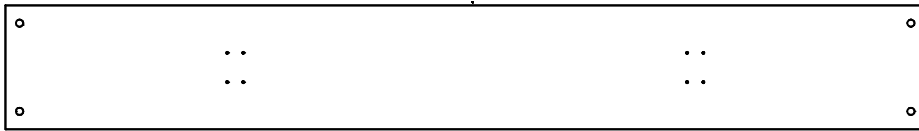
⑨ 25x90x896 - 2



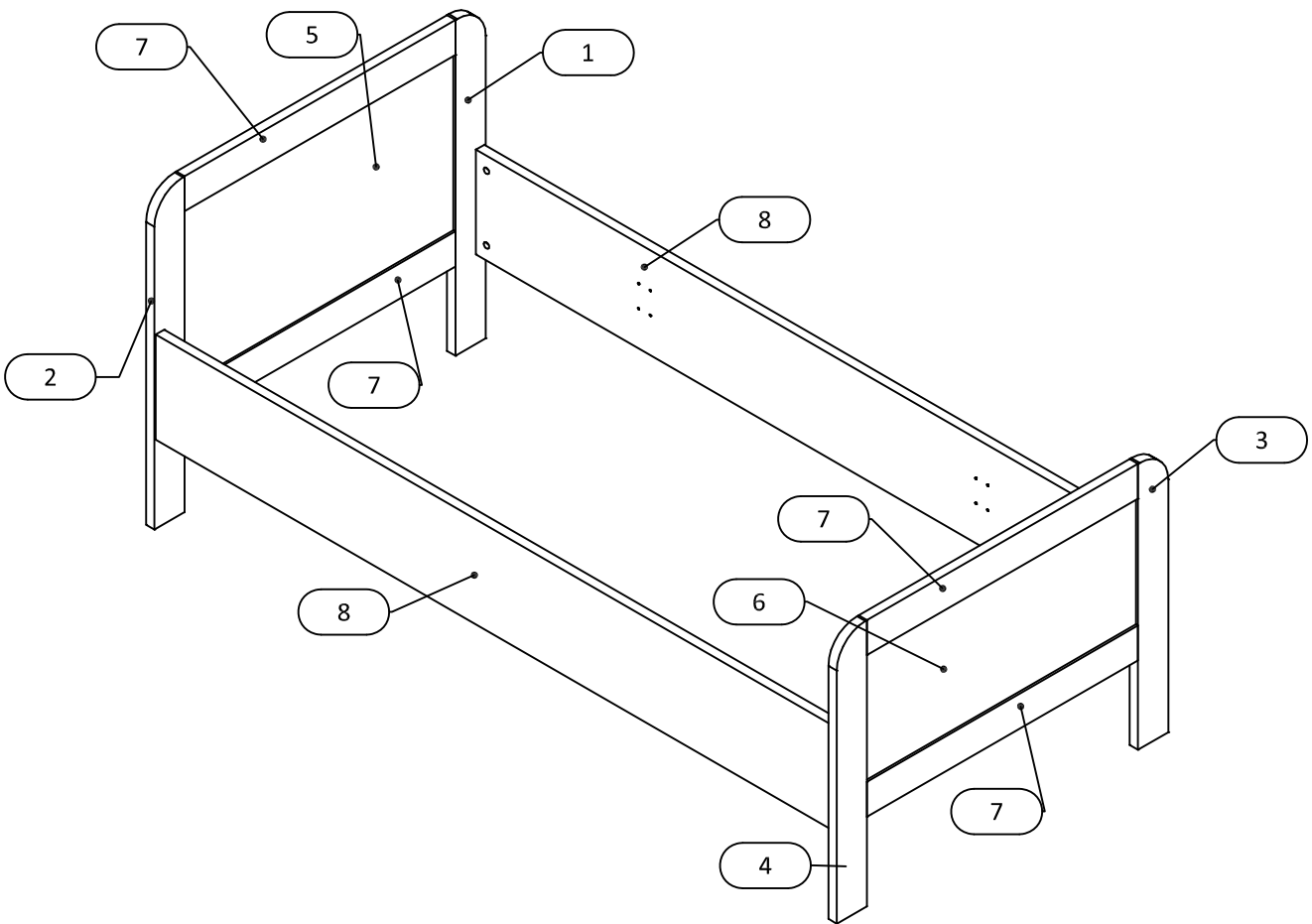
⑤ 12x462x813 - 1




⑥ 12x334x813 - 1

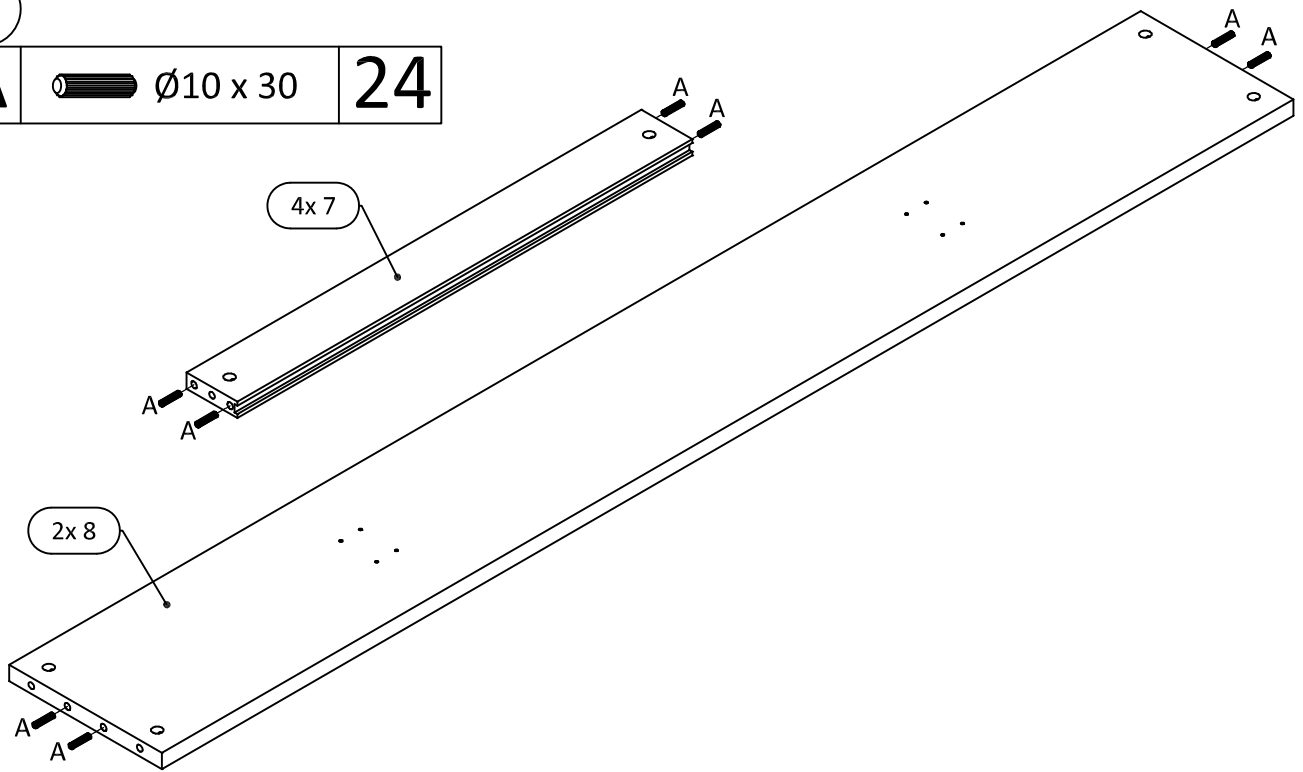


⑧ 25x270x2003 - 2

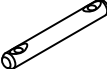





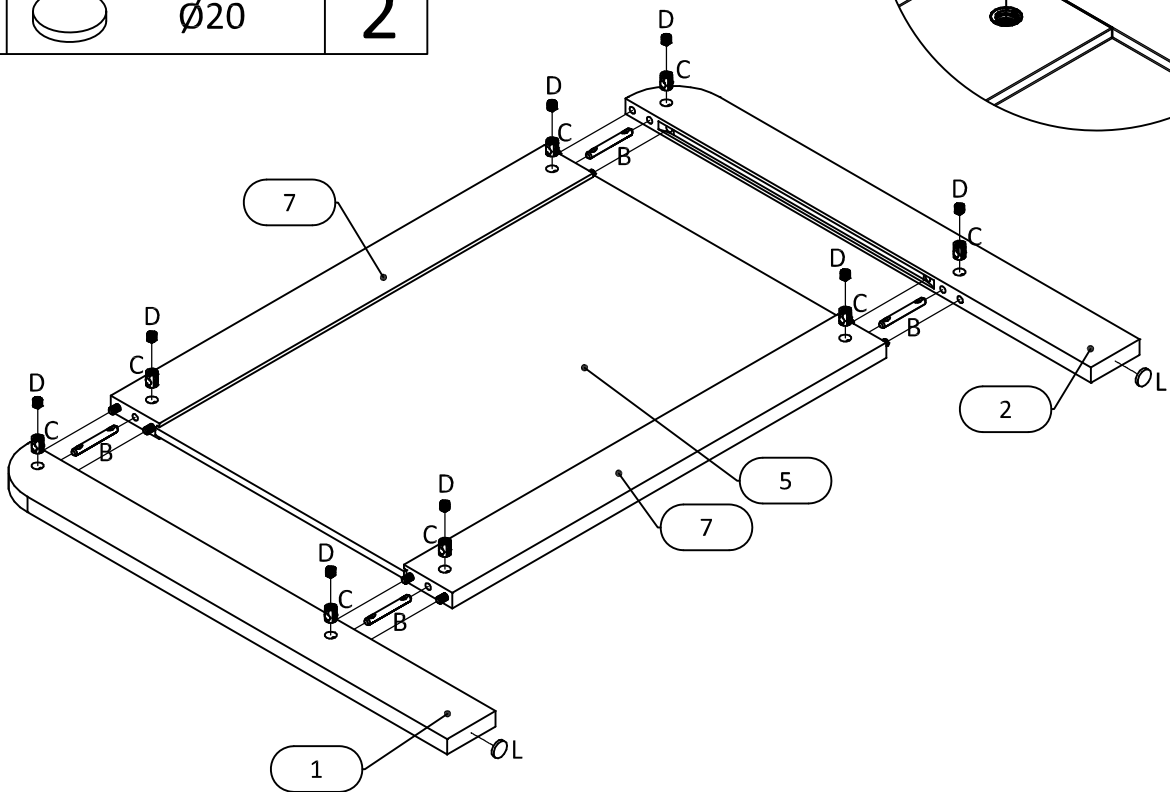
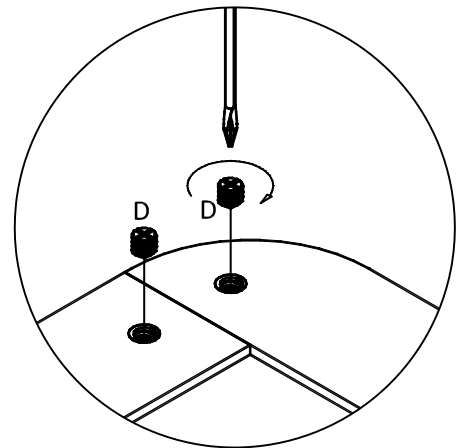
1

|          |                                                                                            |           |
|----------|--------------------------------------------------------------------------------------------|-----------|
| <b>A</b> |  Ø10 x 30 | <b>24</b> |
|----------|--------------------------------------------------------------------------------------------|-----------|

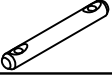





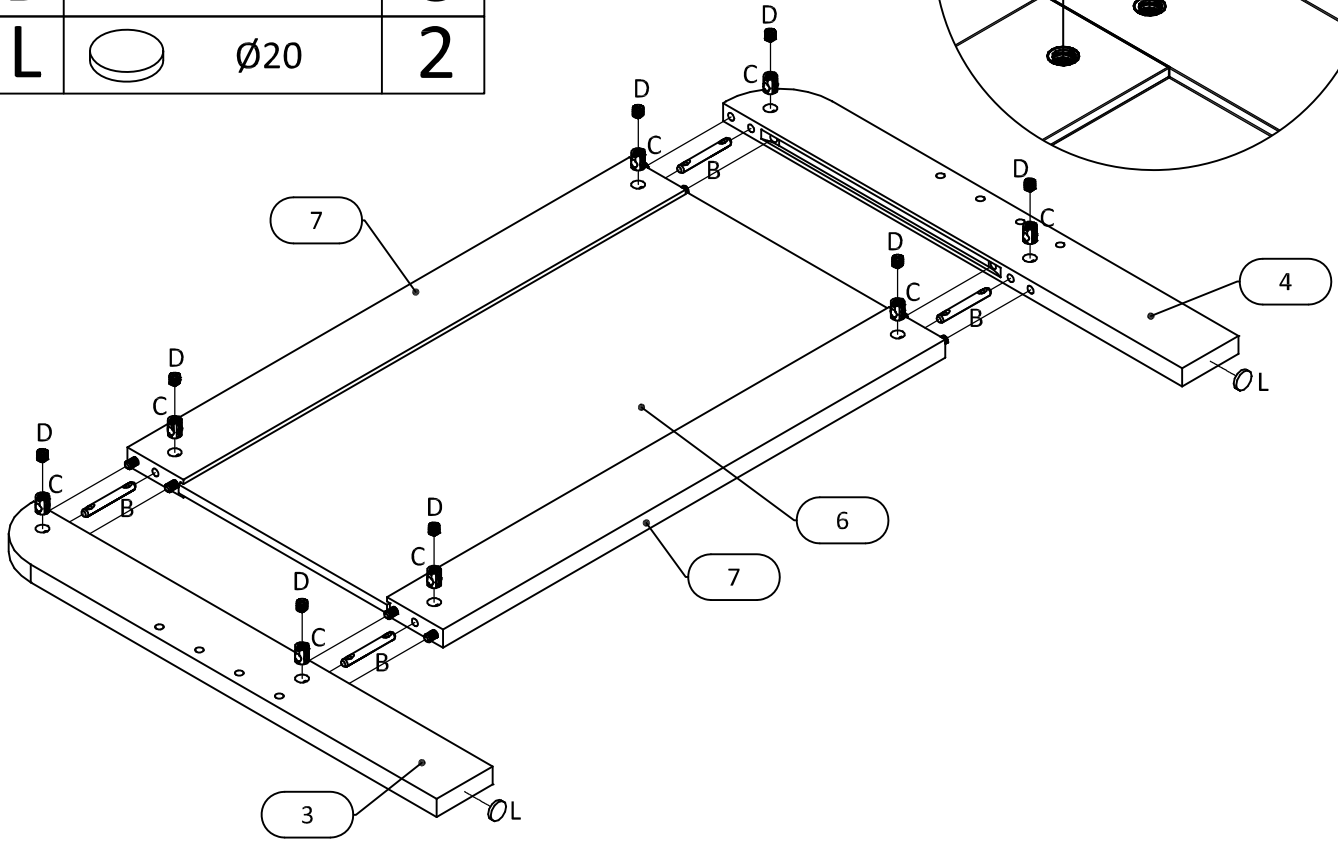
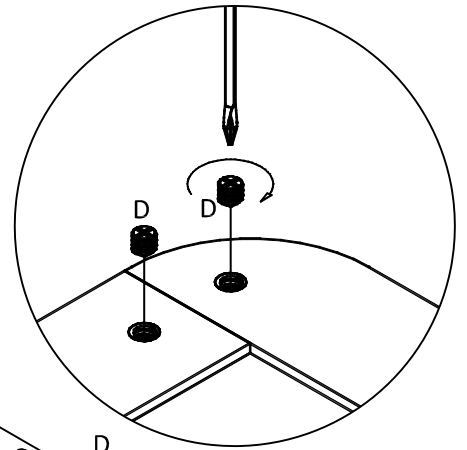
2

|          |                                                                                              |          |
|----------|----------------------------------------------------------------------------------------------|----------|
| <b>B</b> |  Ø10 x 80 | <b>4</b> |
| <b>C</b> |  Ø16 x 20 | <b>8</b> |
| <b>D</b> |  Ø10 x 13 | <b>8</b> |
| <b>L</b> |  Ø20      | <b>2</b> |





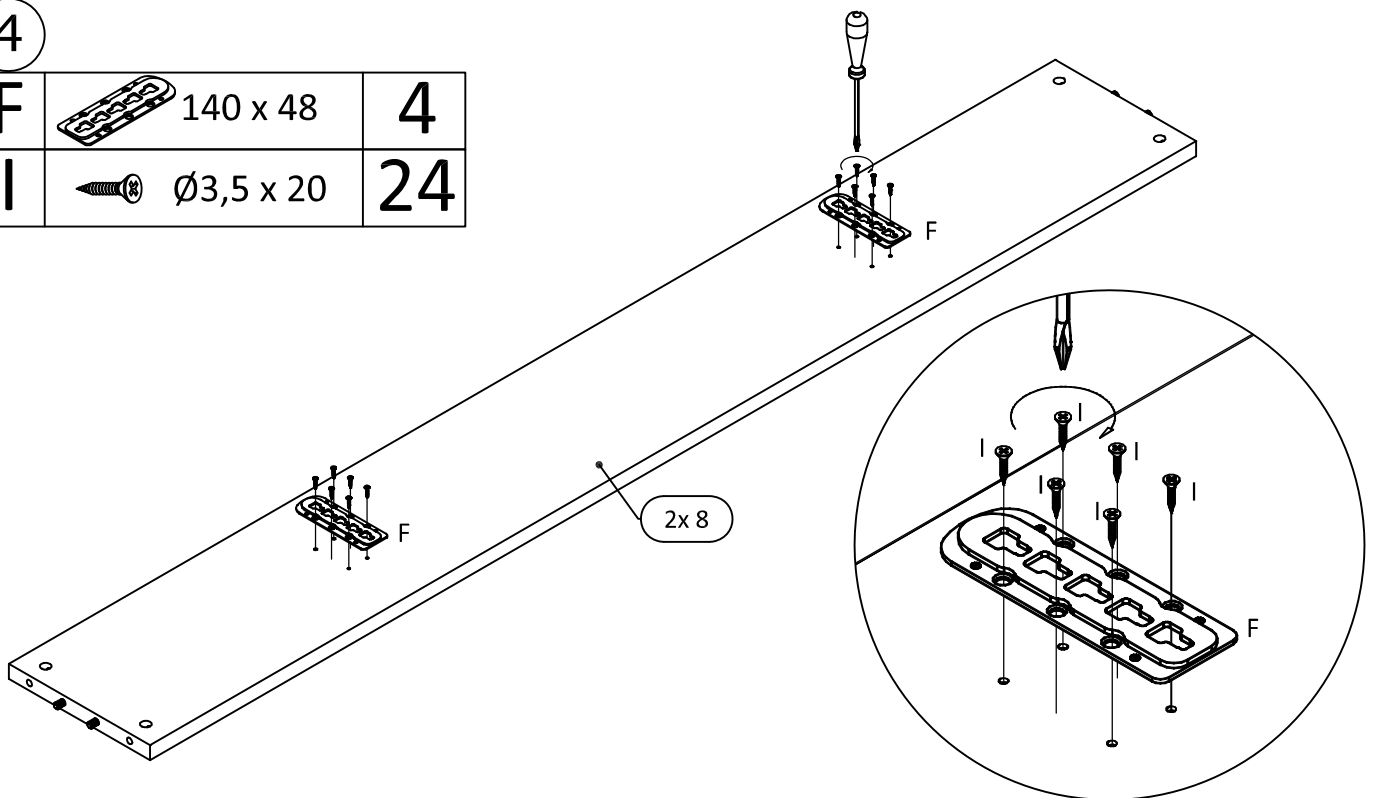
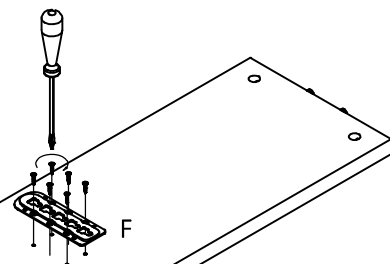
3

|          |                                                                                                              |          |
|----------|--------------------------------------------------------------------------------------------------------------|----------|
| <b>B</b> |  $\varnothing 10 \times 80$ | <b>4</b> |
| <b>C</b> |  $\varnothing 16 \times 20$ | <b>8</b> |
| <b>D</b> |  $\varnothing 10 \times 13$ | <b>8</b> |
| <b>L</b> |  $\varnothing 20$           | <b>2</b> |






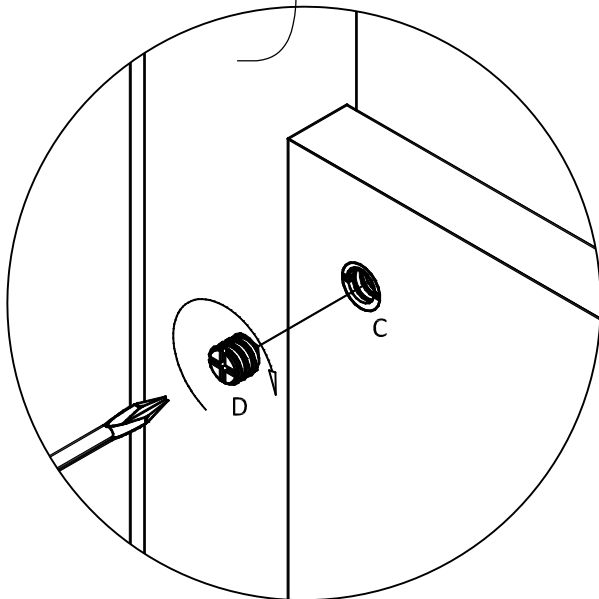
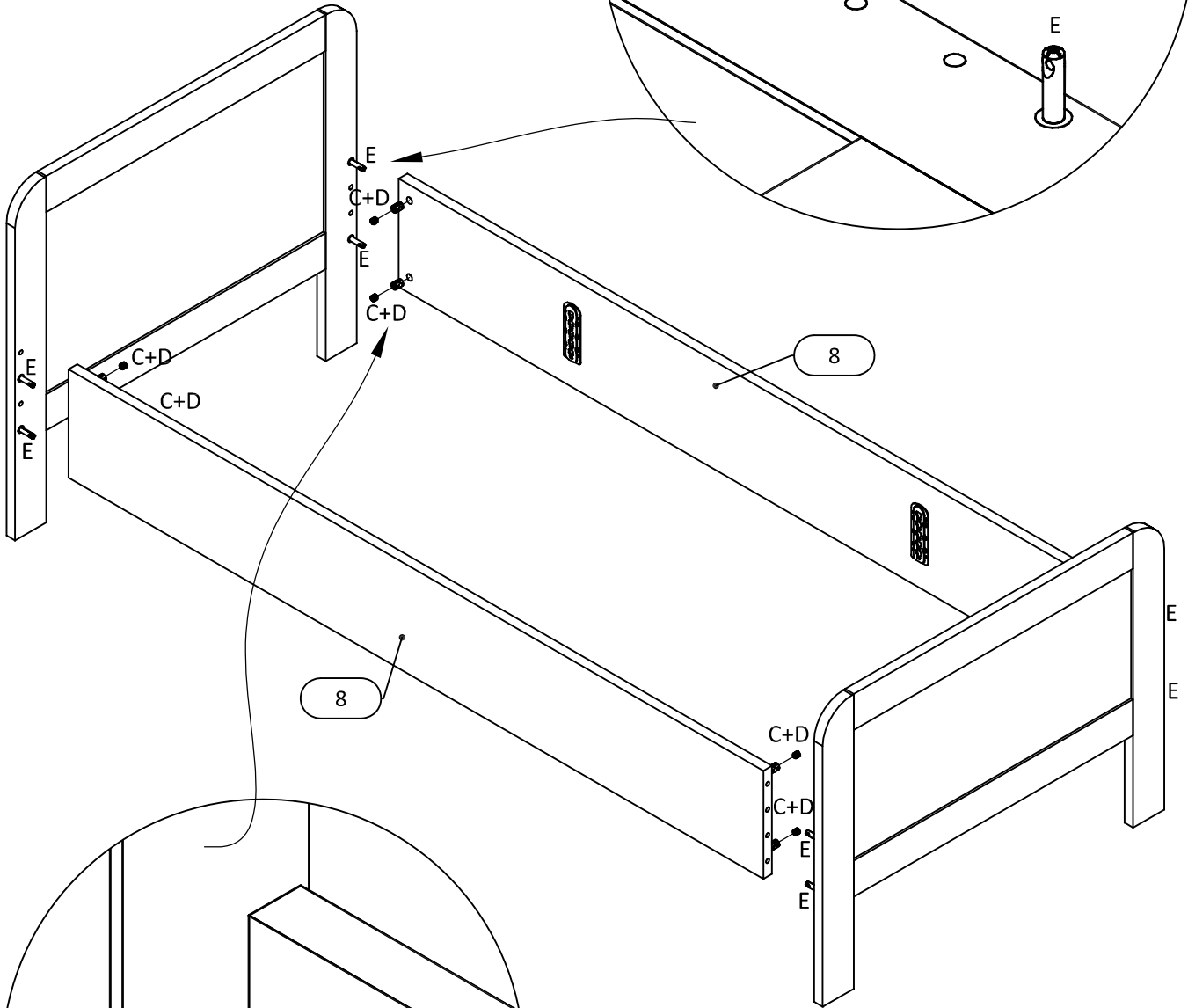
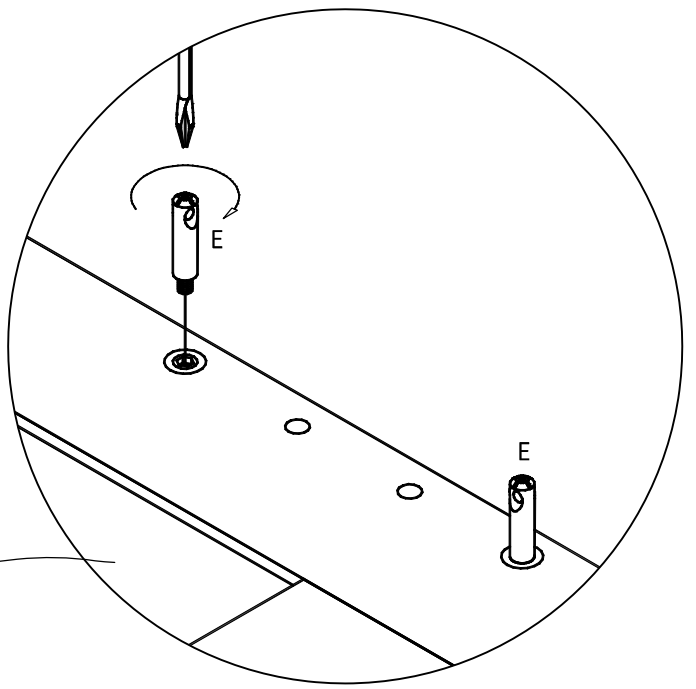
4

|          |                                                                                                                 |           |
|----------|-----------------------------------------------------------------------------------------------------------------|-----------|
| <b>F</b> |  140 x 48                    | <b>4</b>  |
| <b>I</b> |  $\varnothing 3,5 \times 20$ | <b>24</b> |




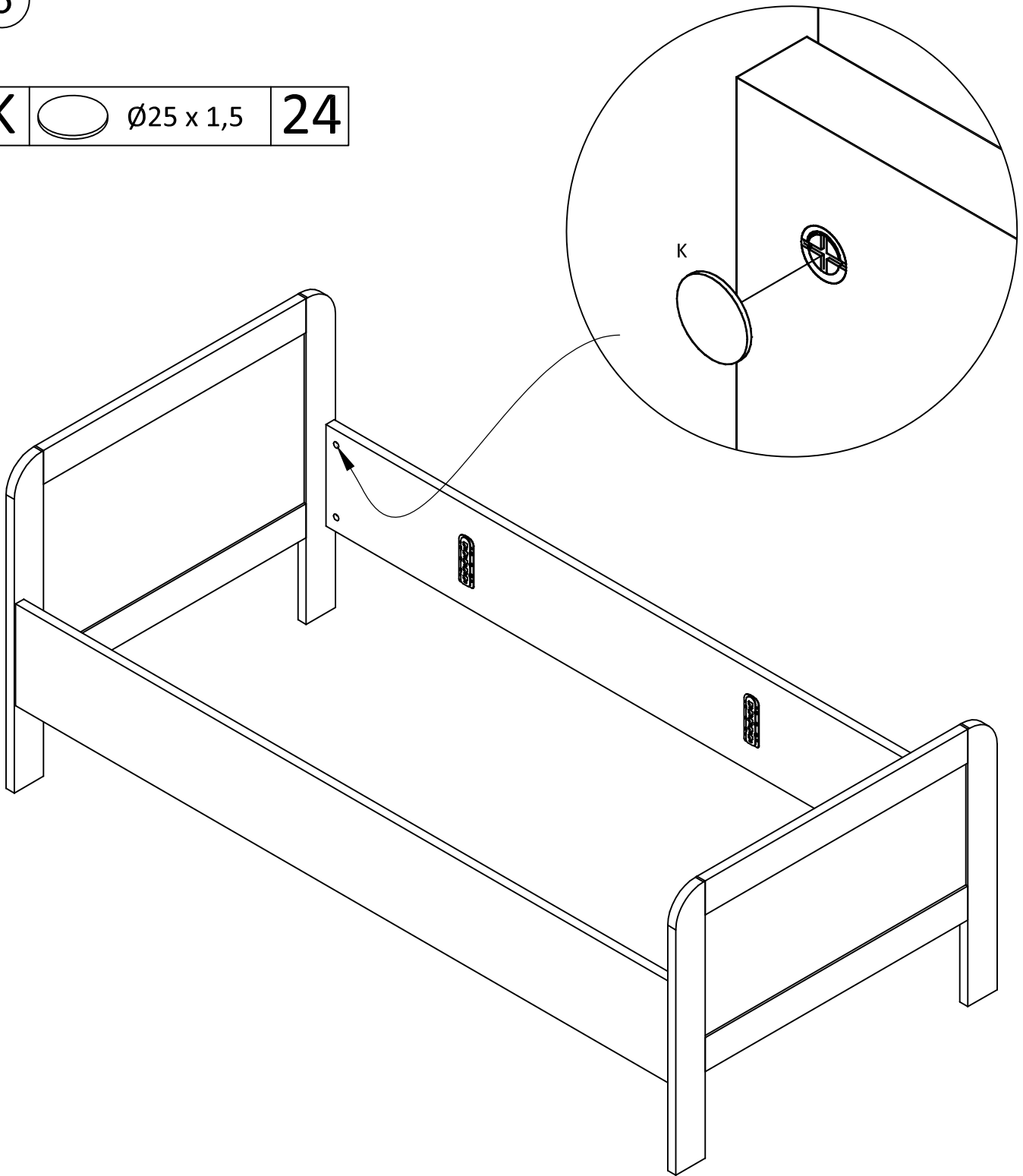
5

|   |                                                                                                 |   |
|---|-------------------------------------------------------------------------------------------------|---|
| E |  M6 x Ø10 x 46 | 8 |
| C |  Ø16 x 20      | 8 |
| D |  Ø10 x 13      | 8 |




6

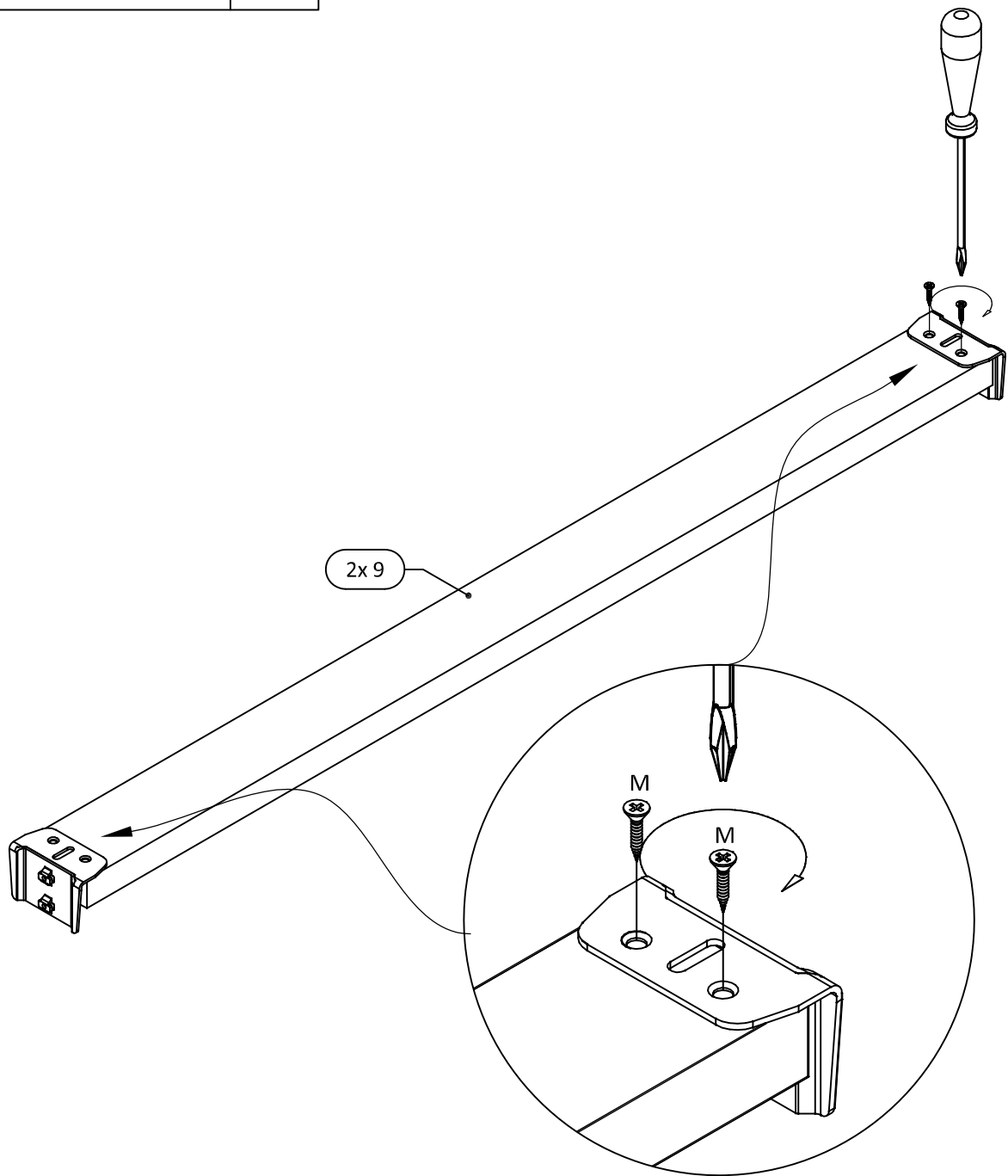
|   |                                                                                   |           |    |
|---|-----------------------------------------------------------------------------------|-----------|----|
| K |  | Ø25 x 1,5 | 24 |
|---|-----------------------------------------------------------------------------------|-----------|----|



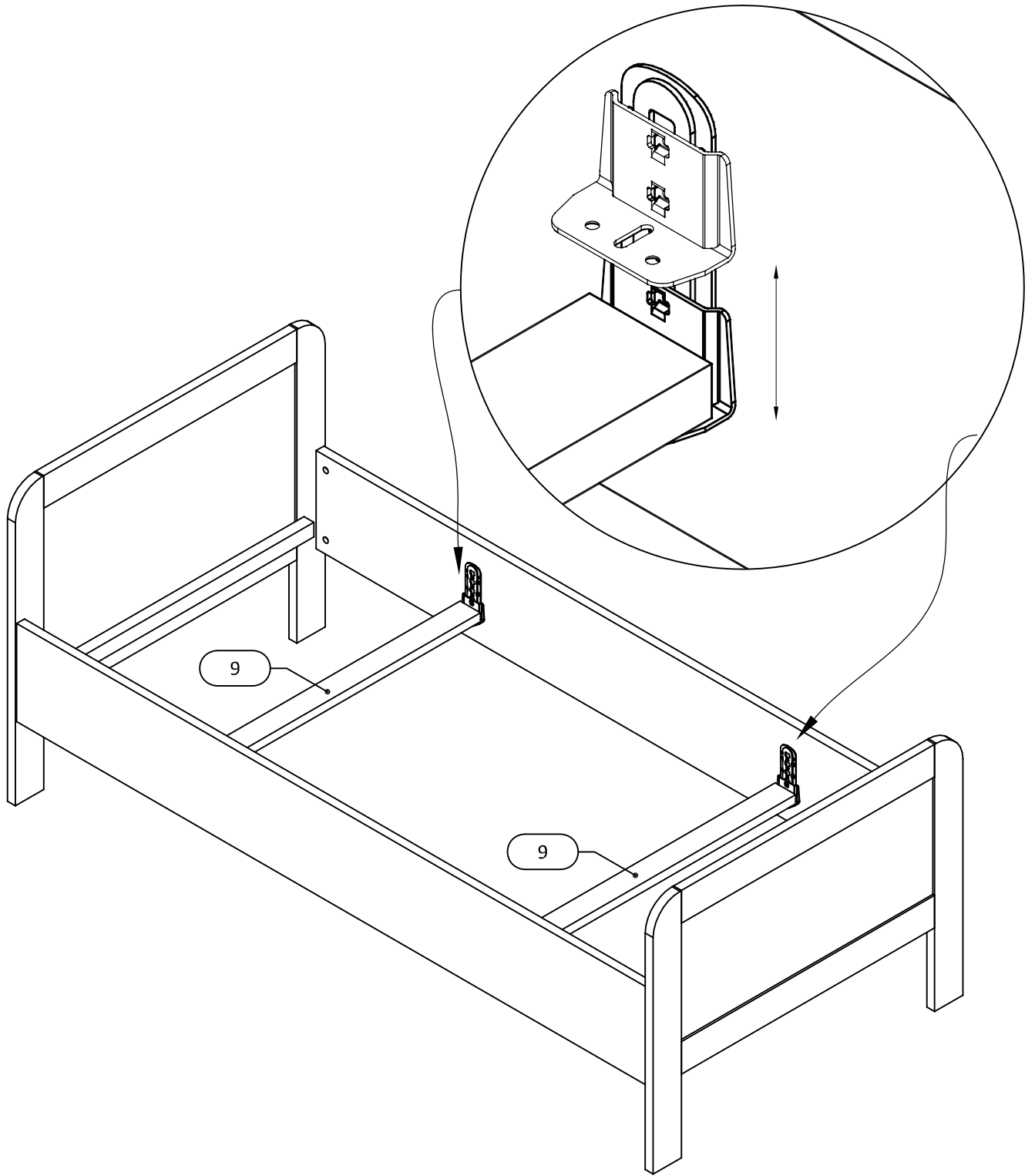
7

|   |                                                                                             |   |
|---|---------------------------------------------------------------------------------------------|---|
| M |  Ø4,5 x 25 | 8 |
|---|---------------------------------------------------------------------------------------------|---|

9



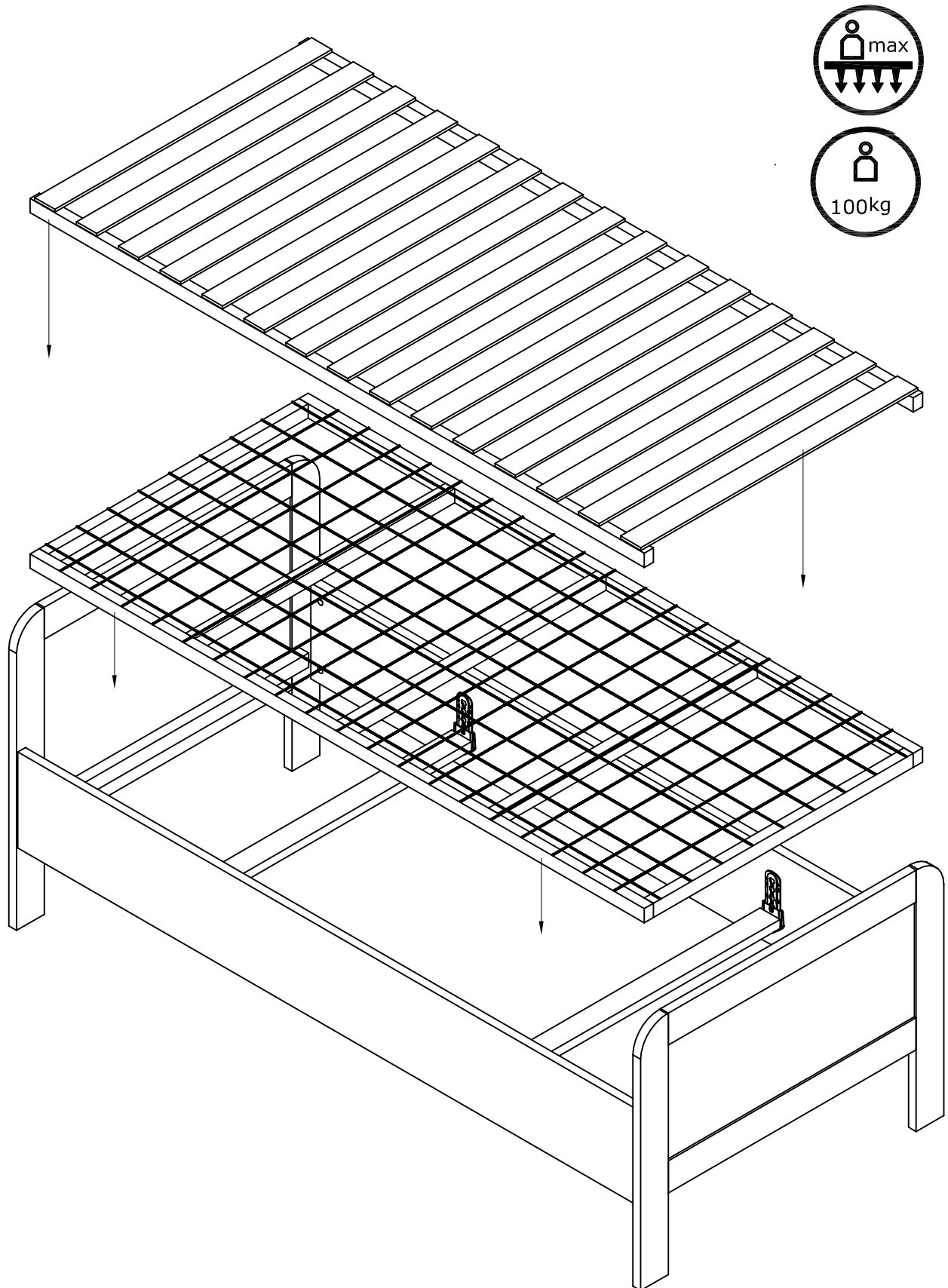
8

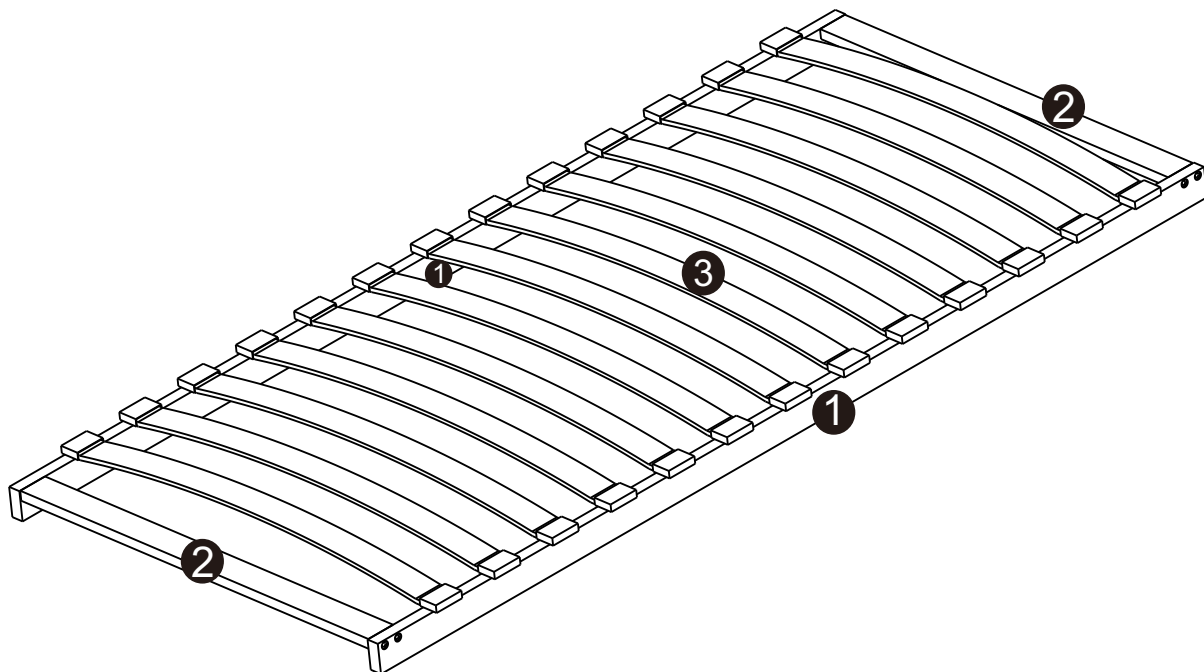



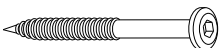



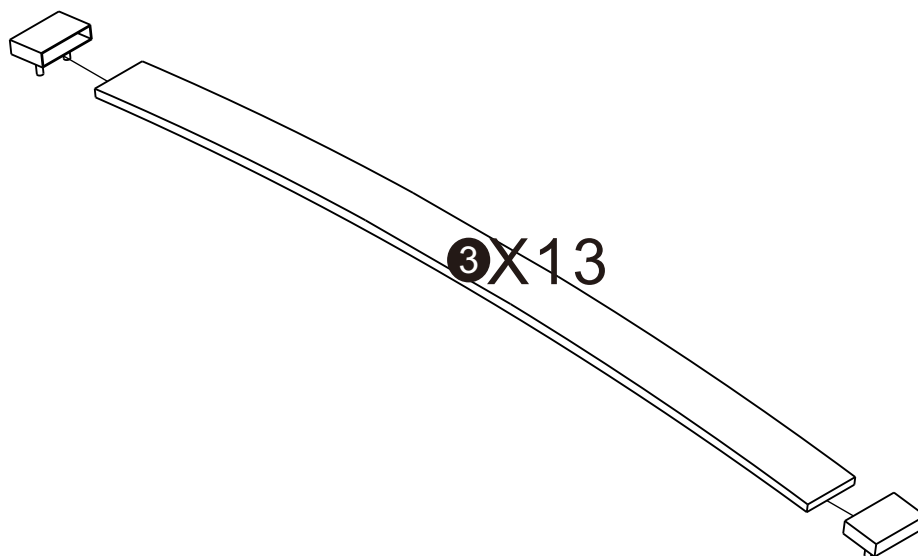
9


Geeignet für Bettgestelle mit Metallrahmen und Holzrahmen





|   |                                                                                              |    |
|---|----------------------------------------------------------------------------------------------|----|
| A |         | 26 |
| B |  M6X70mm | 8  |
| C |          | 1  |



|   |                                                                                       |    |
|---|---------------------------------------------------------------------------------------|----|
| A |  | 26 |
|---|---------------------------------------------------------------------------------------|----|

