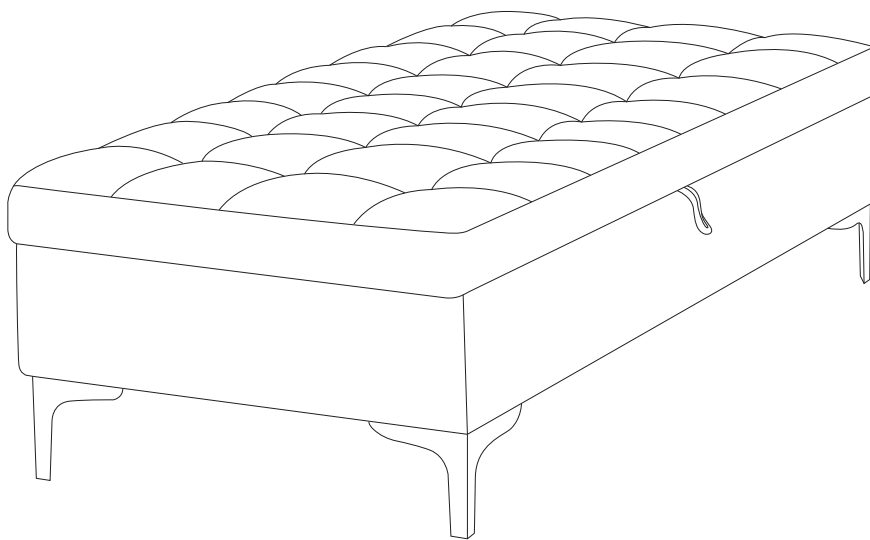
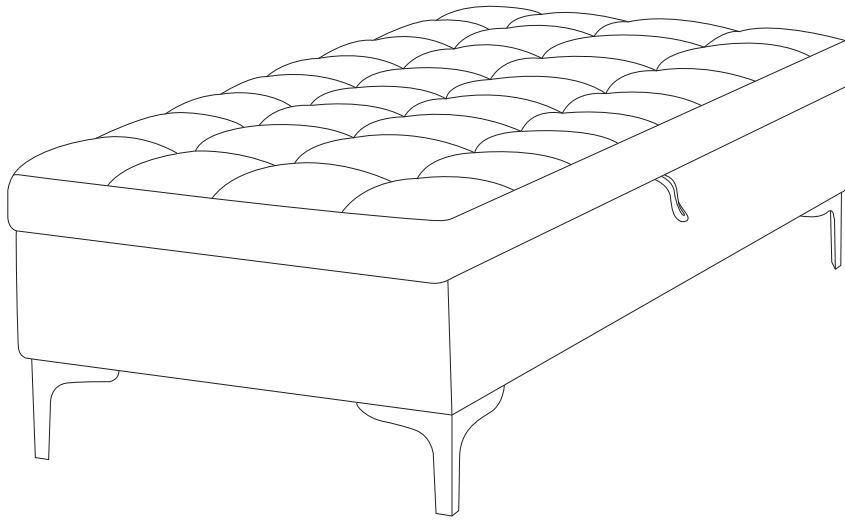
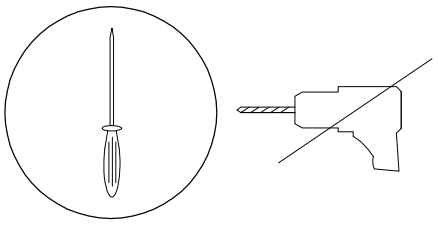

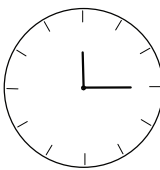
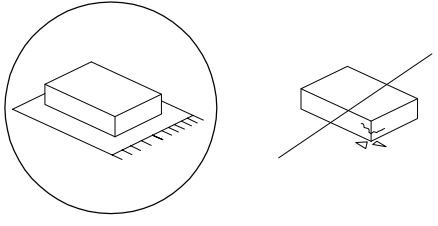

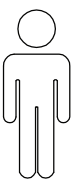


ABERDEEN

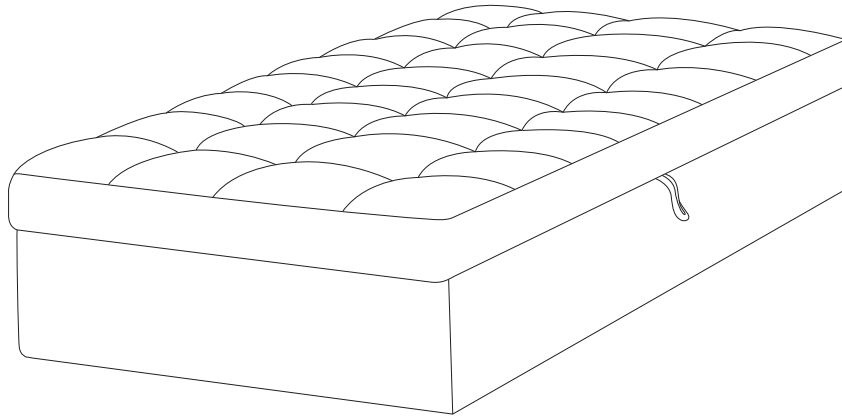




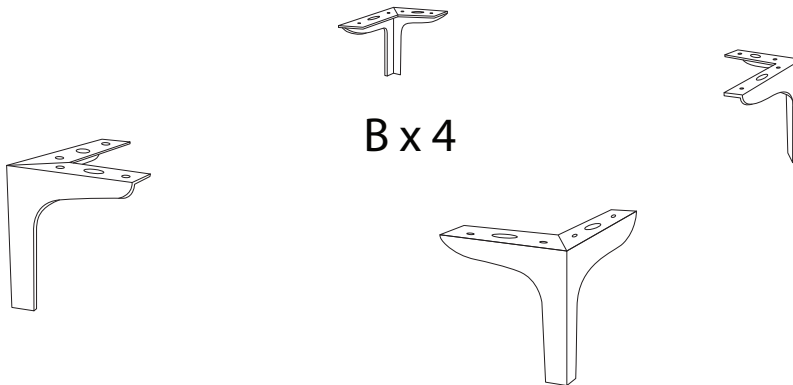
		
		

1/4

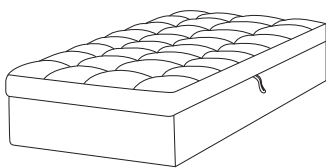
A



B x 4

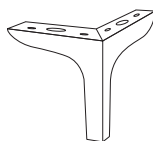


A



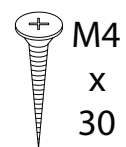
x 1

B



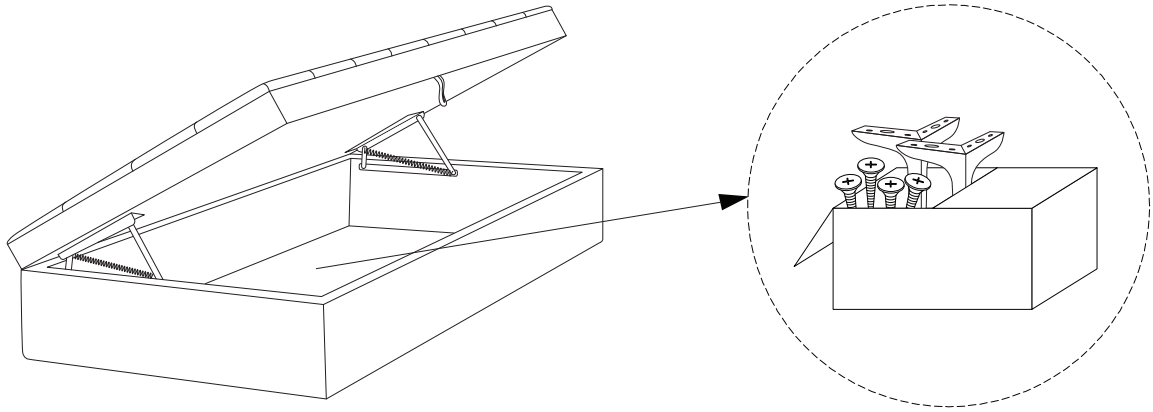
x 4

C

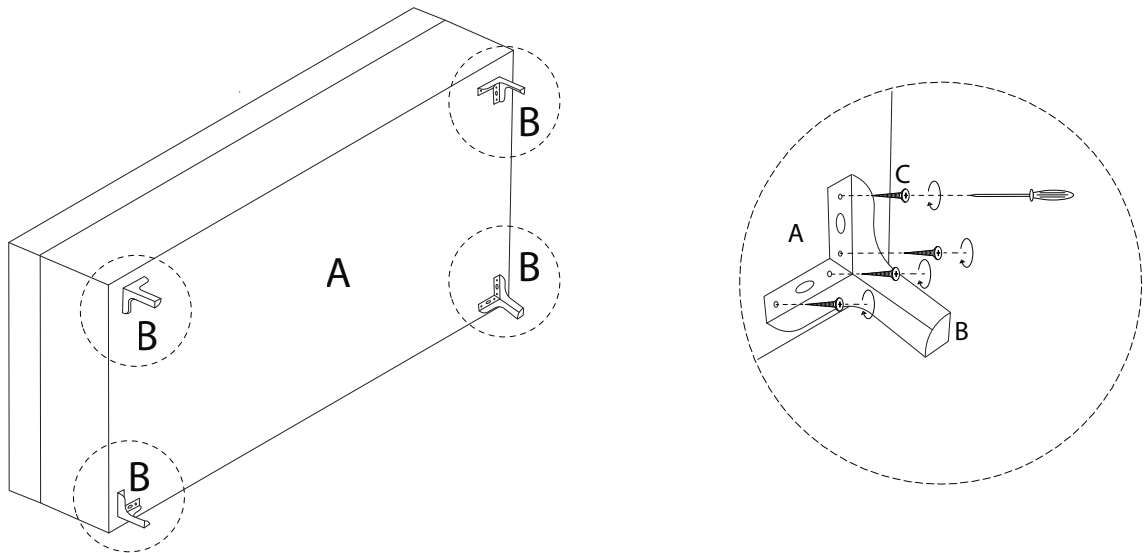
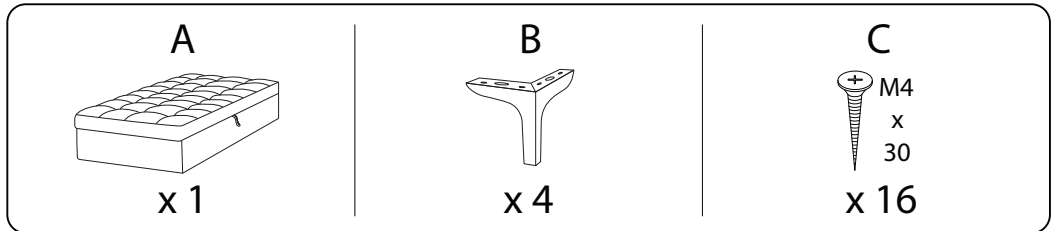


x 16

!



1



!

