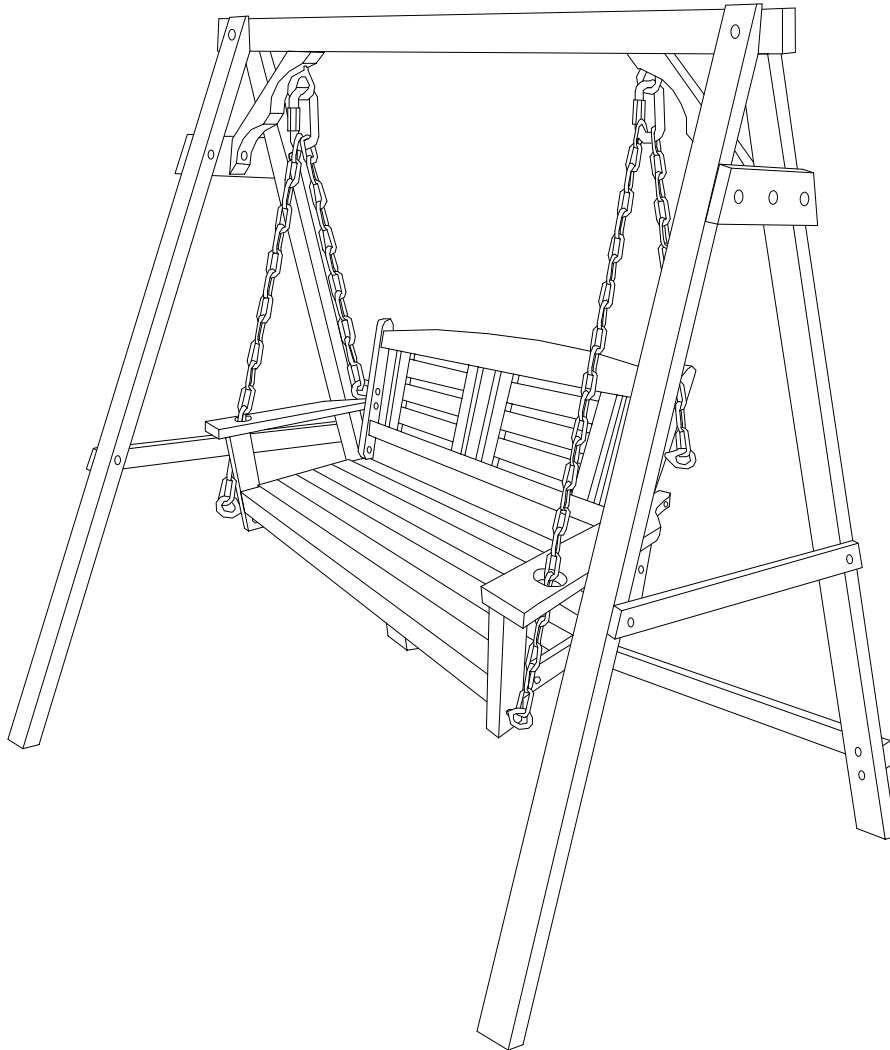
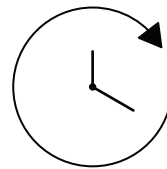
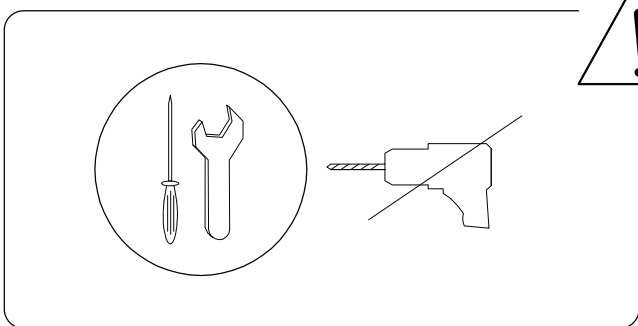
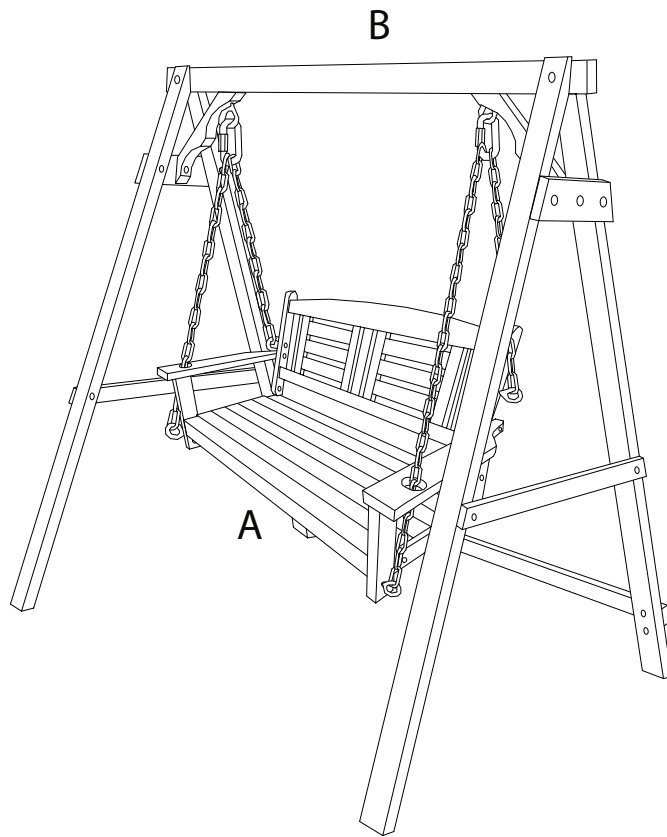
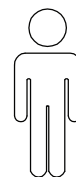
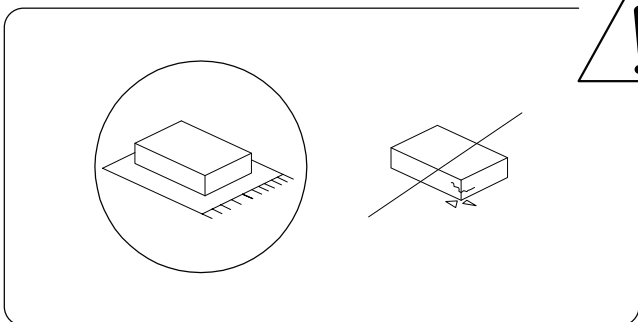


NERITO




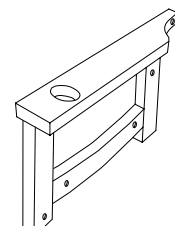
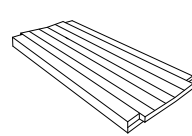
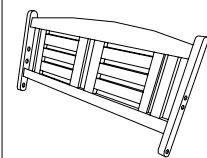
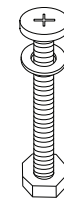
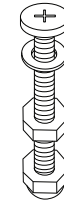


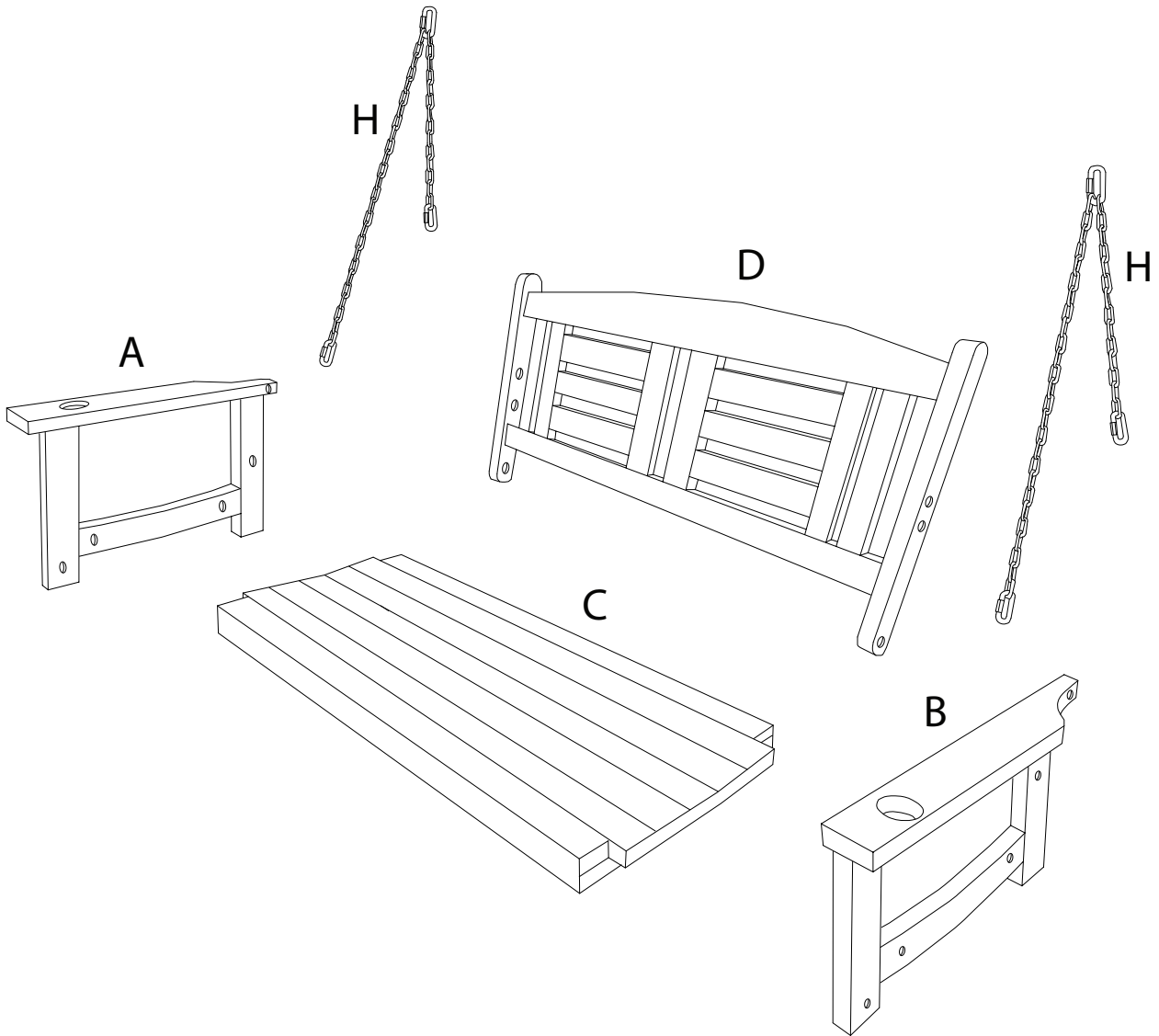
60'

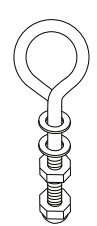

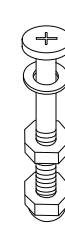
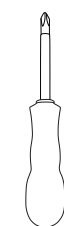
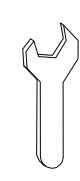
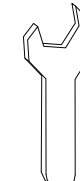


2

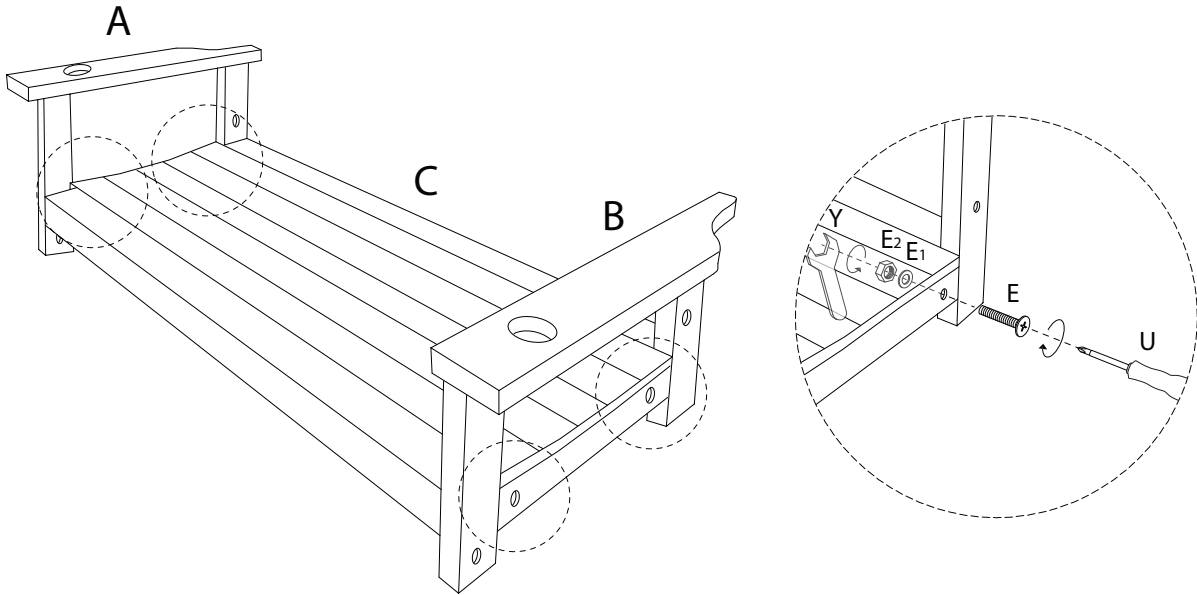
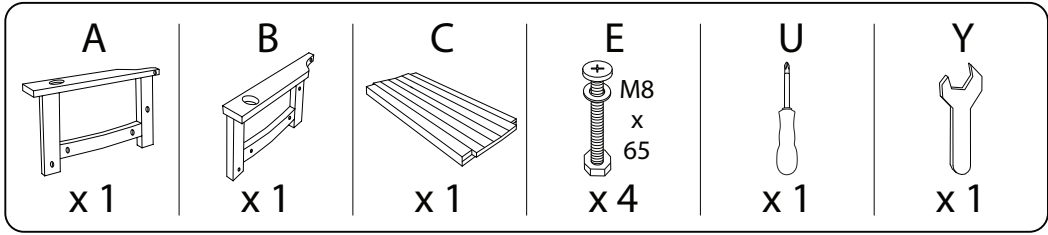
A

<p>A</p>  <p>x 1</p>	<p>B</p>  <p>x 1</p>	<p>C</p>  <p>x 1</p>	<p>D</p>  <p>x 1</p>	<p>E</p>  <p>M8 x 65</p> <p>x 4</p>	<p>F</p>  <p>M8 x 65</p> <p>x 2</p>
---	---	---	--	---	---

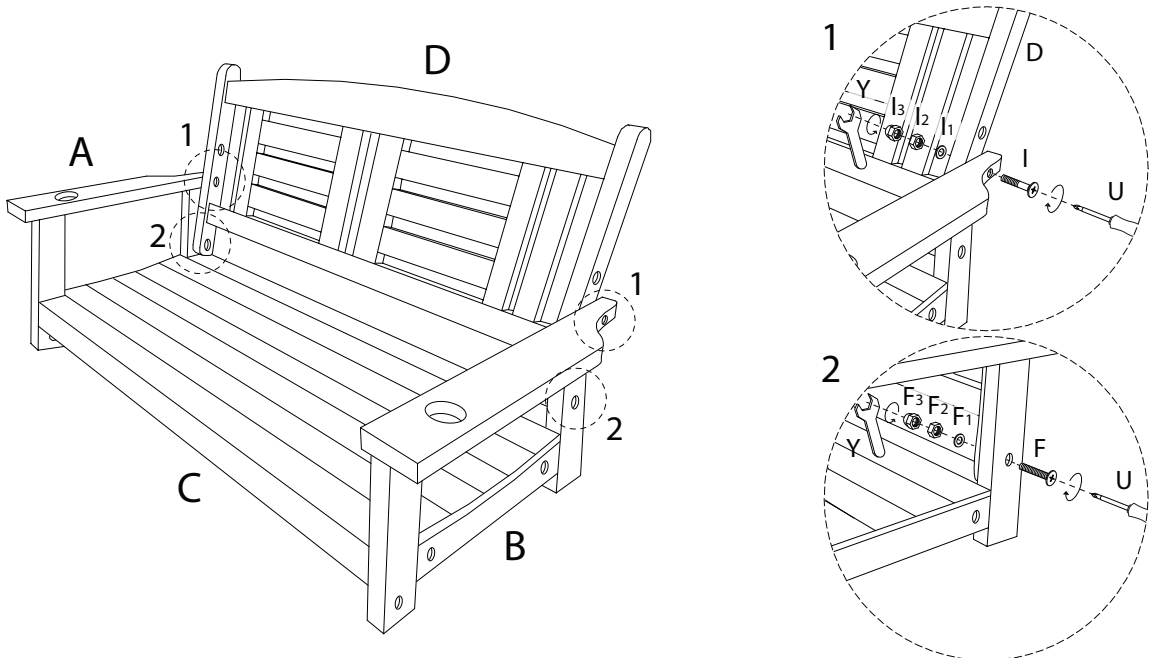
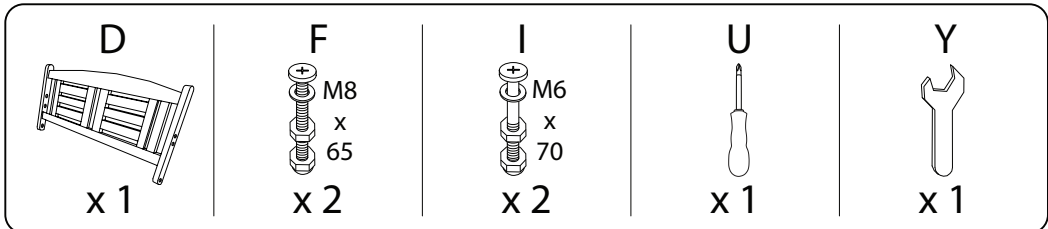


<p>G</p>  <p>x 4</p>	<p>H</p>  <p>x 2</p>	<p>I</p>  <p>M6 x 70</p> <p>x 2</p>	<p>U</p>  <p>x 1</p>	<p>W</p>  <p>x 1</p>	<p>Y</p>  <p>x 1</p>
---	---	---	---	---	---

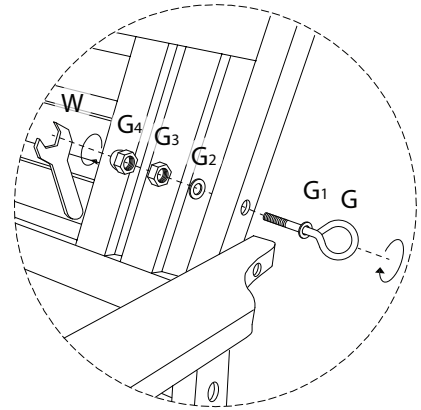
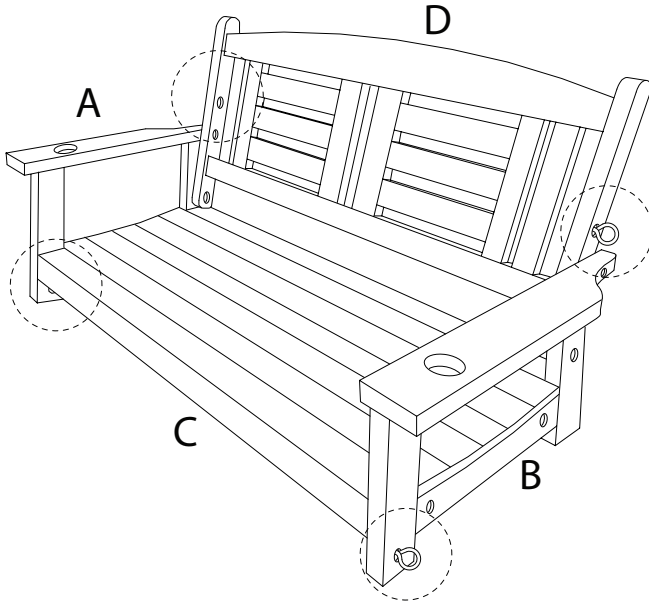
1



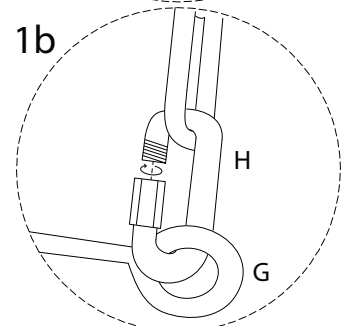
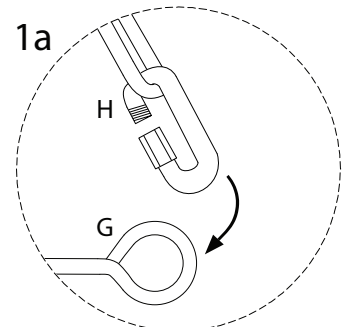
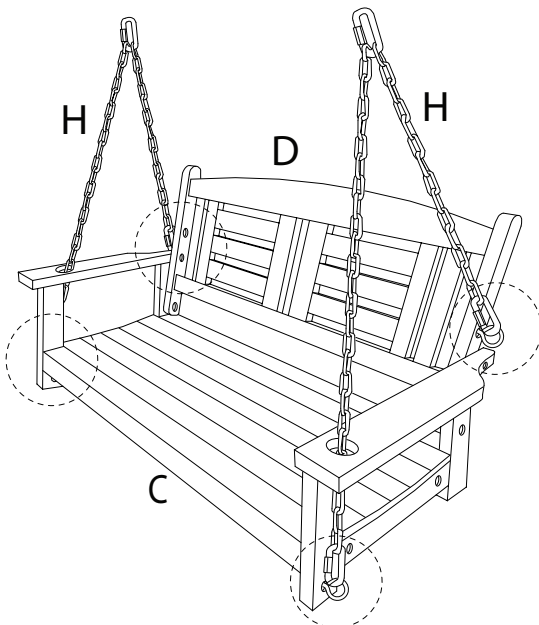
2



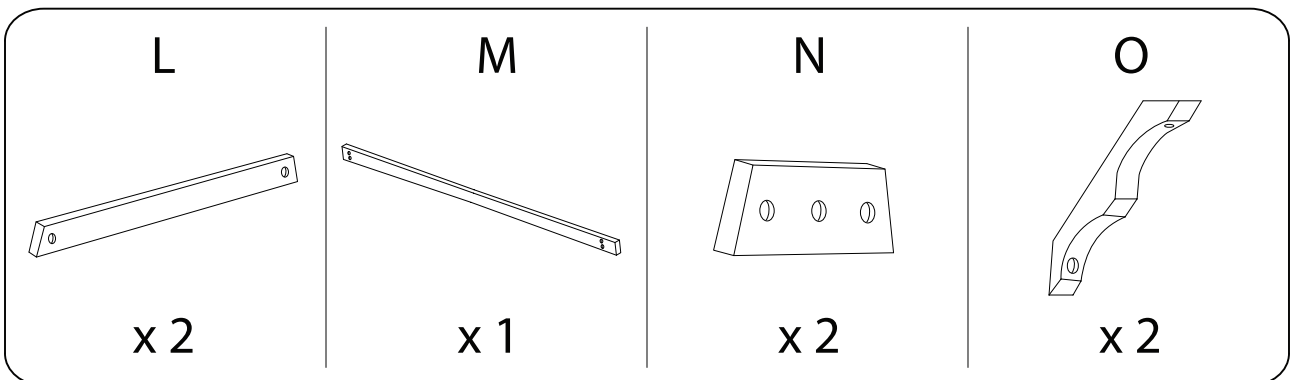
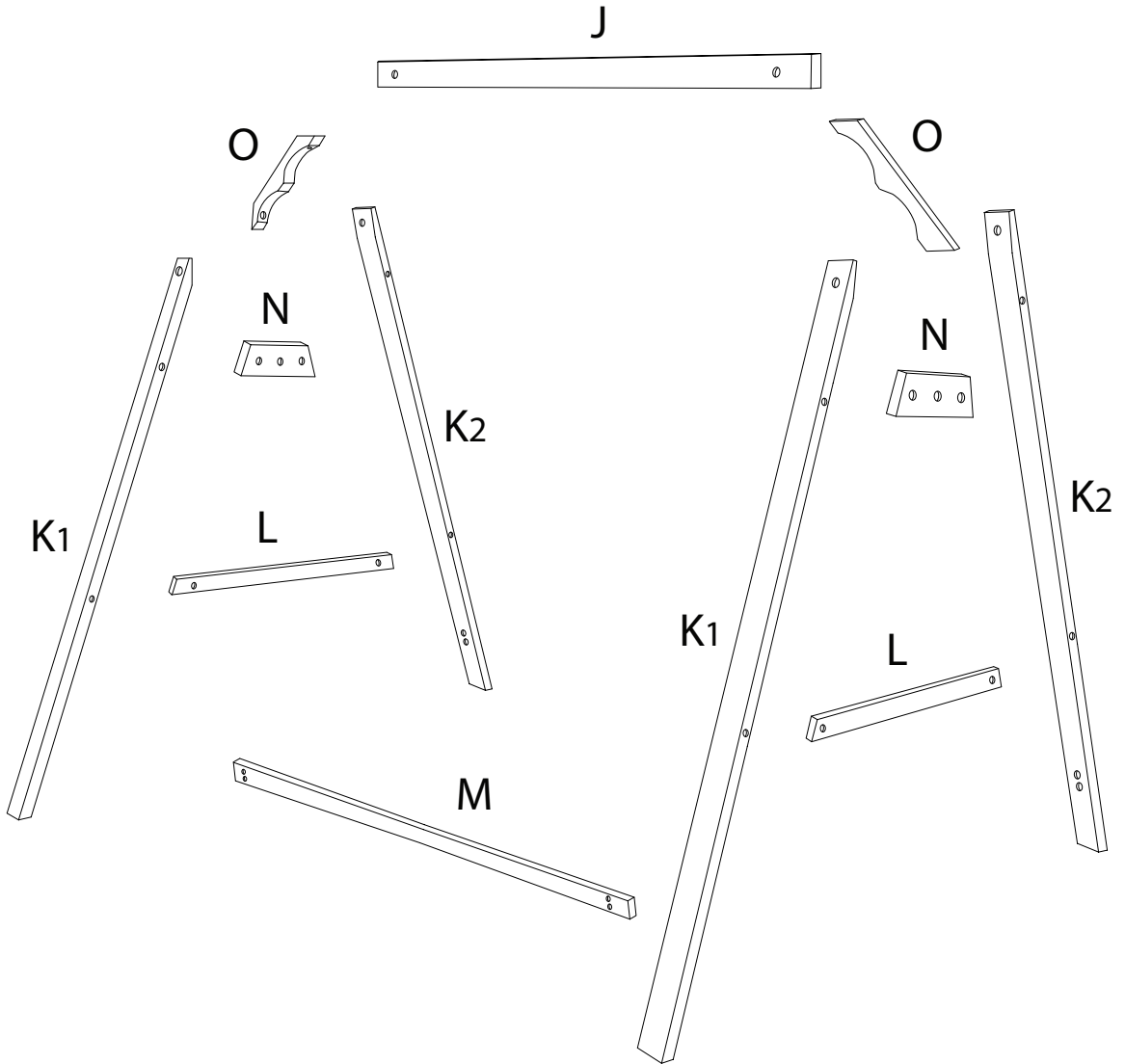
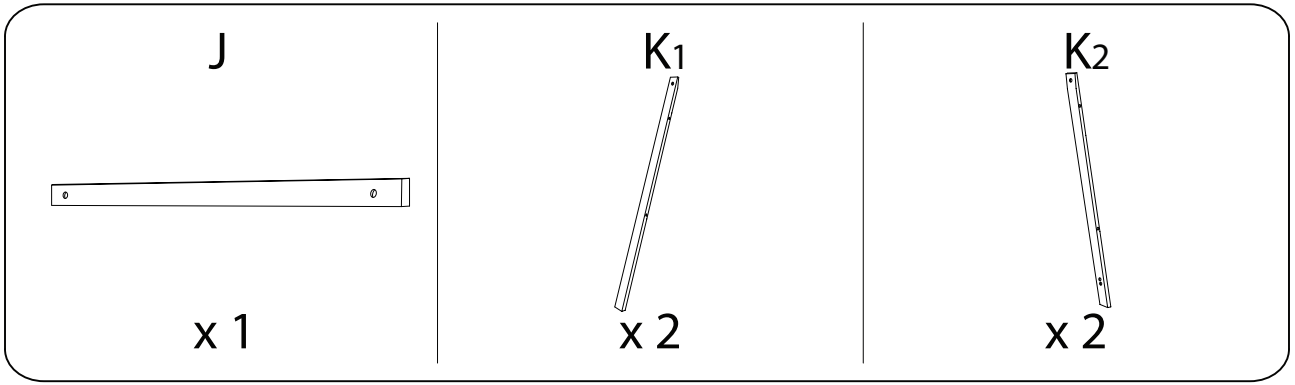
3



4

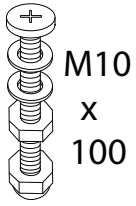


B



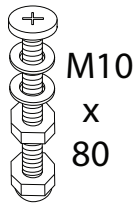
B

P



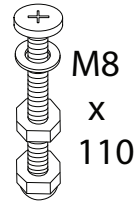
x 2

Q



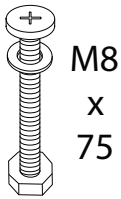
x 2

R



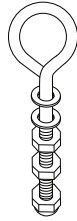
x 8

S



x 4

T



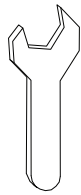
x 2

U



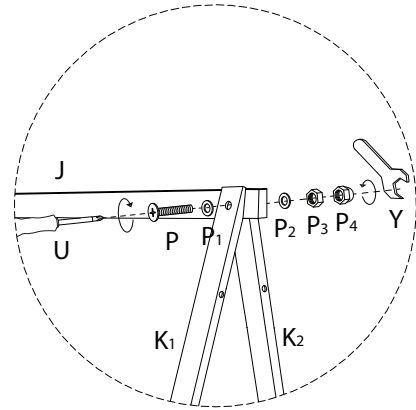
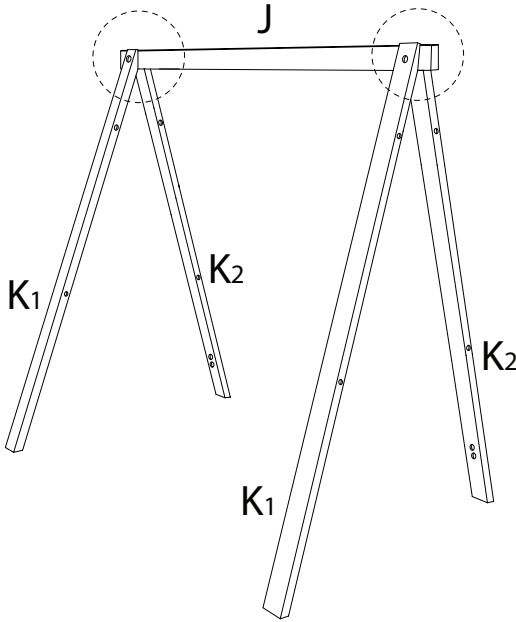
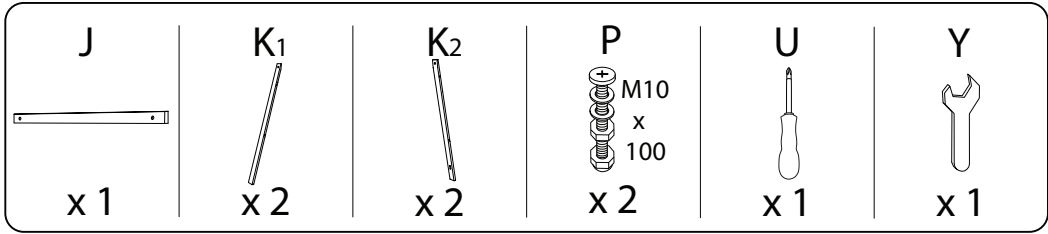
x 1

Y

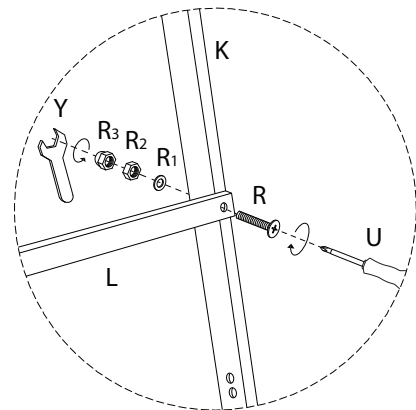
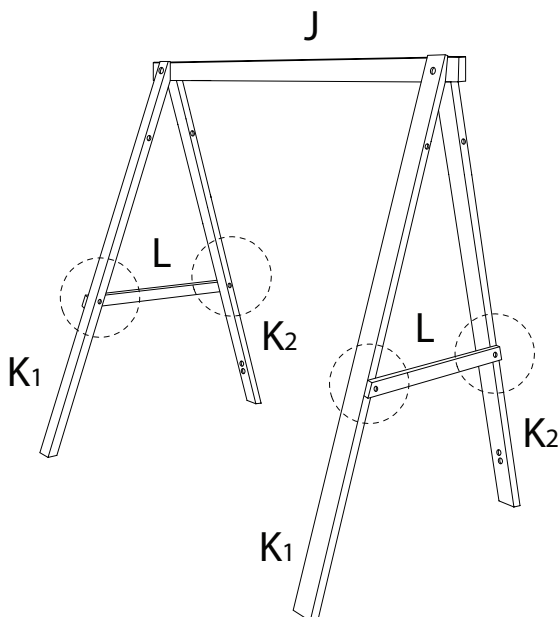
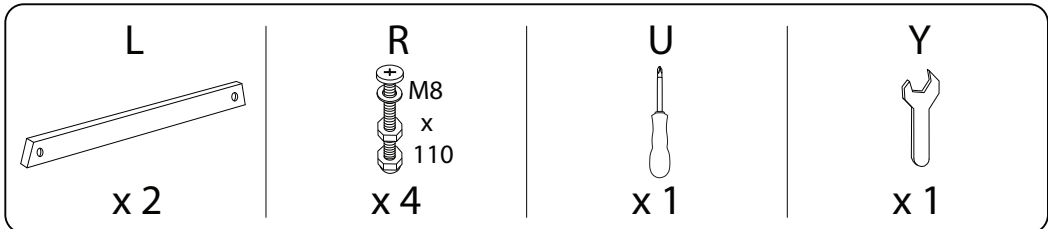


x 1

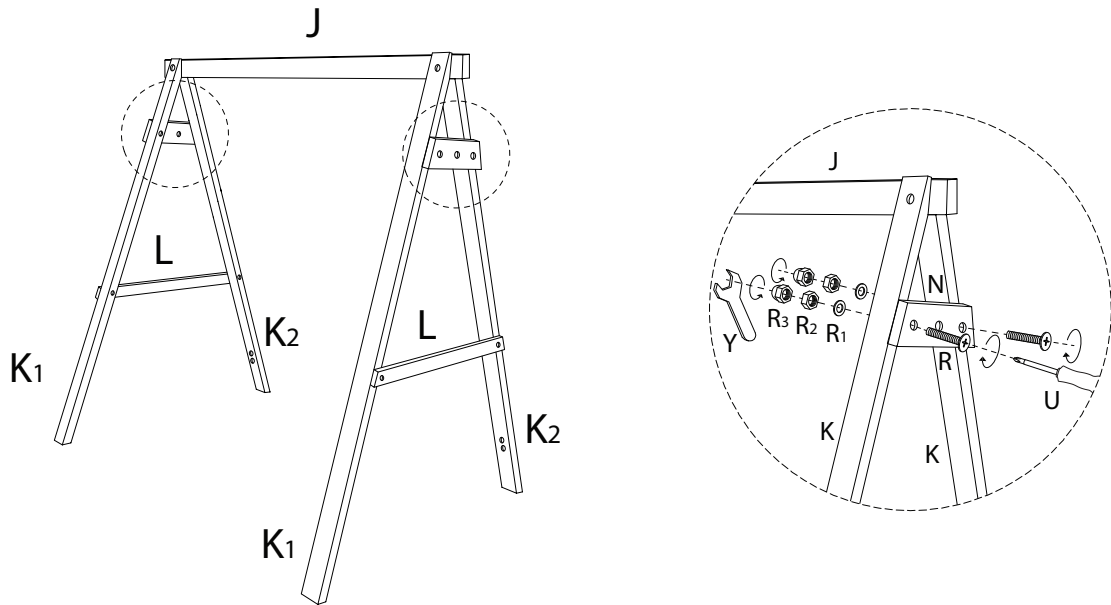
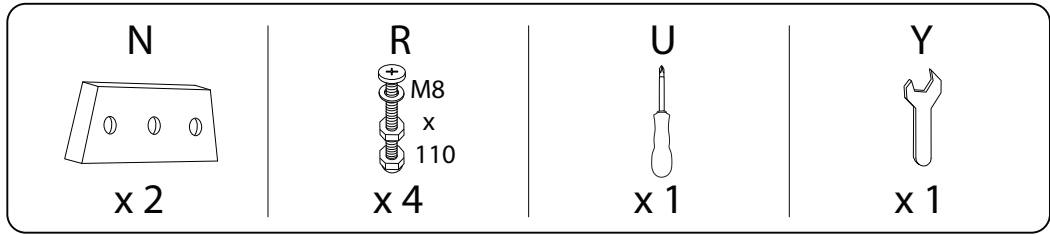
1



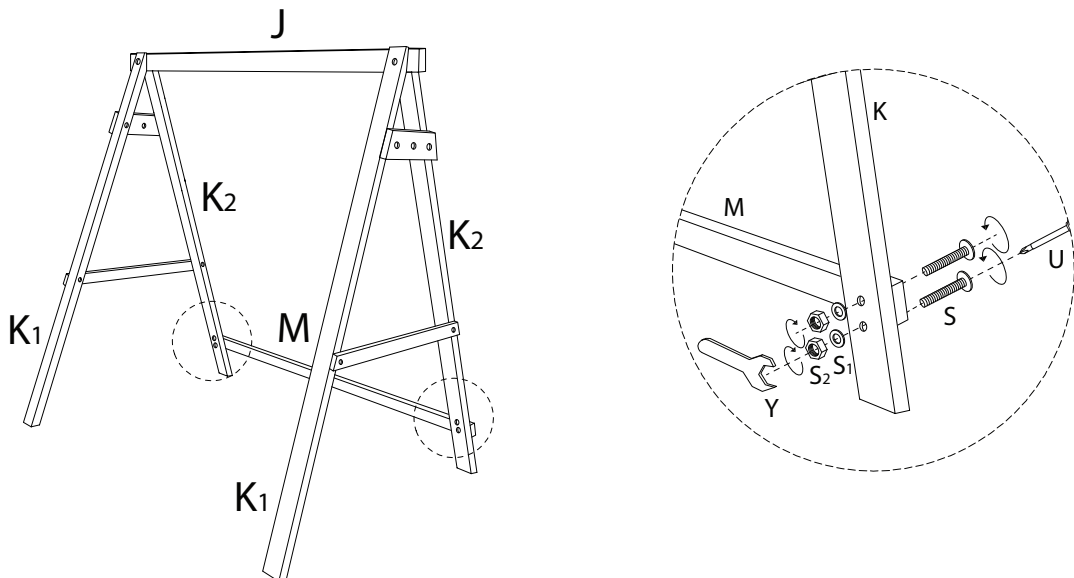
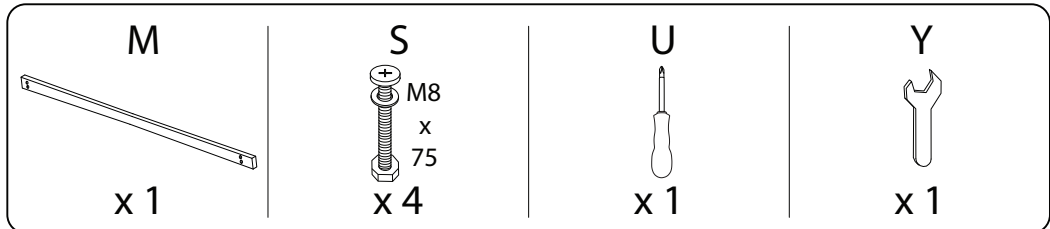
2



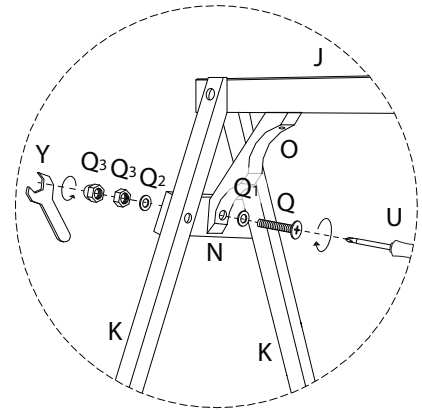
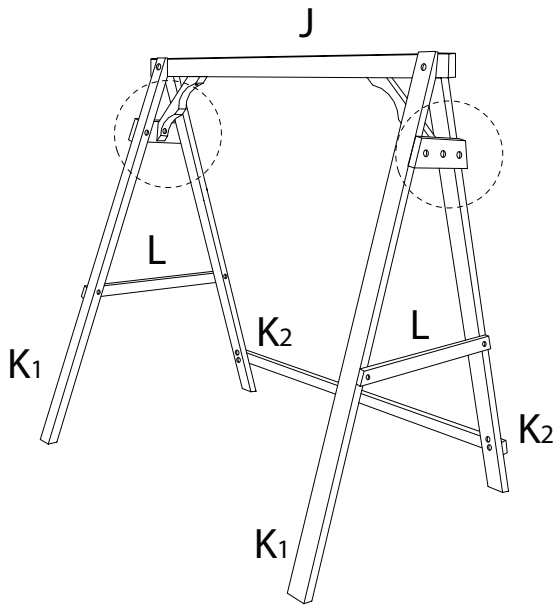
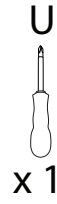
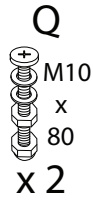
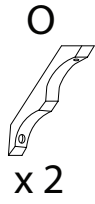
3



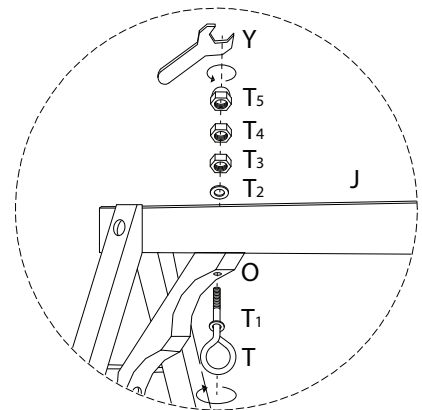
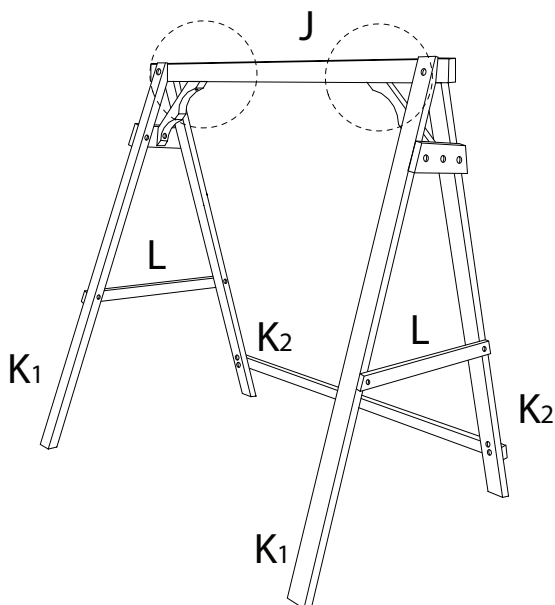
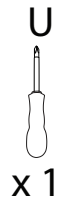
4



5



6



!

