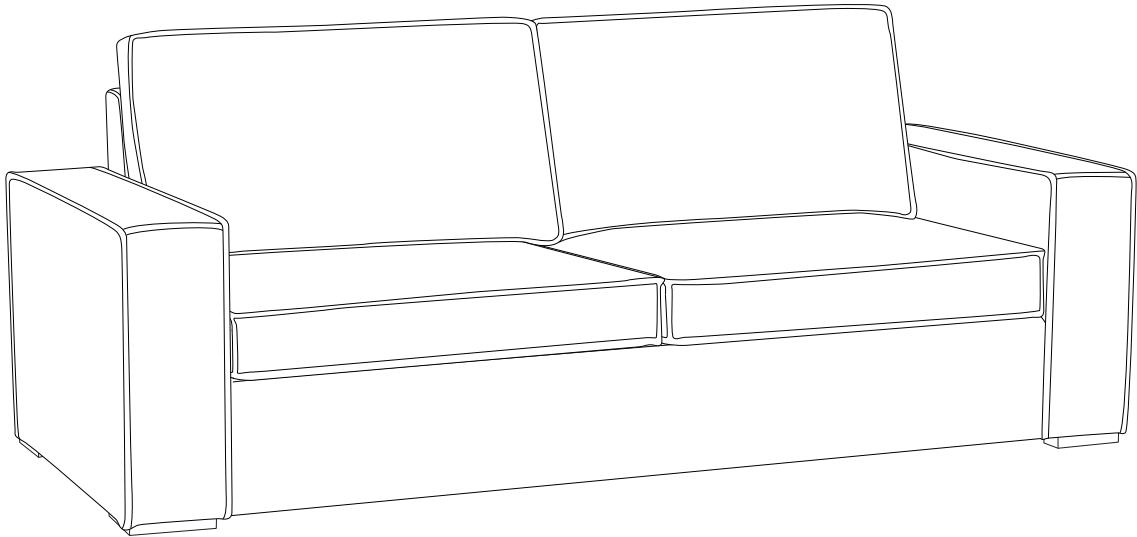
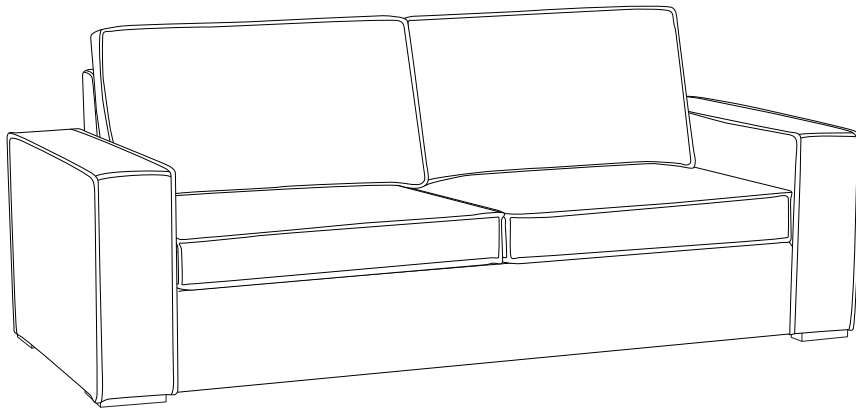
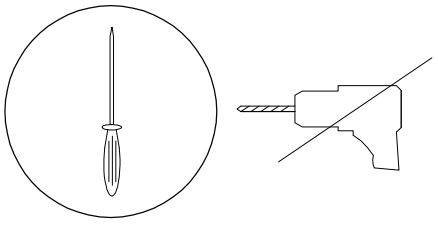

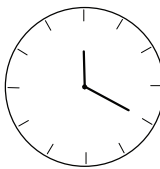
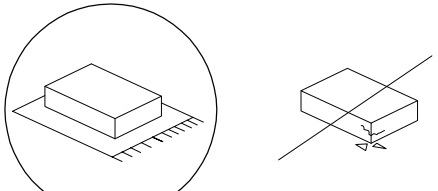

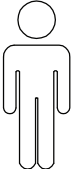
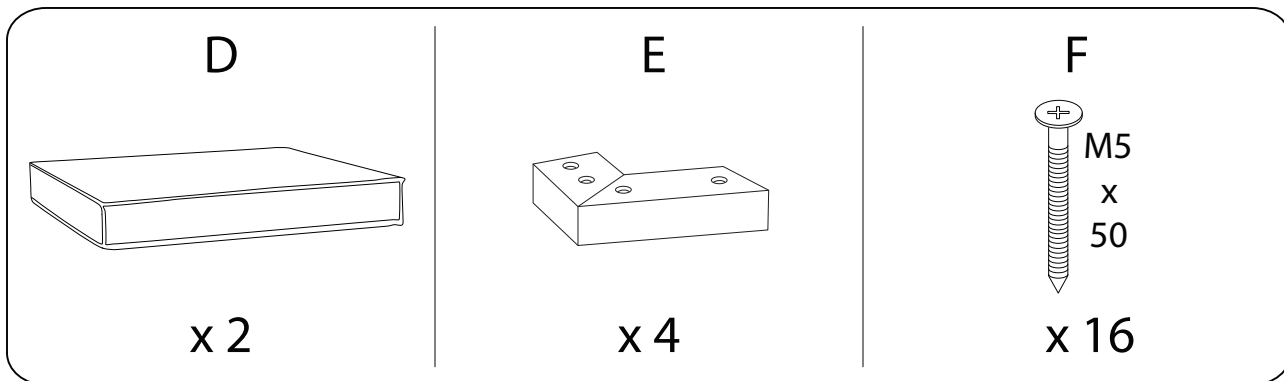
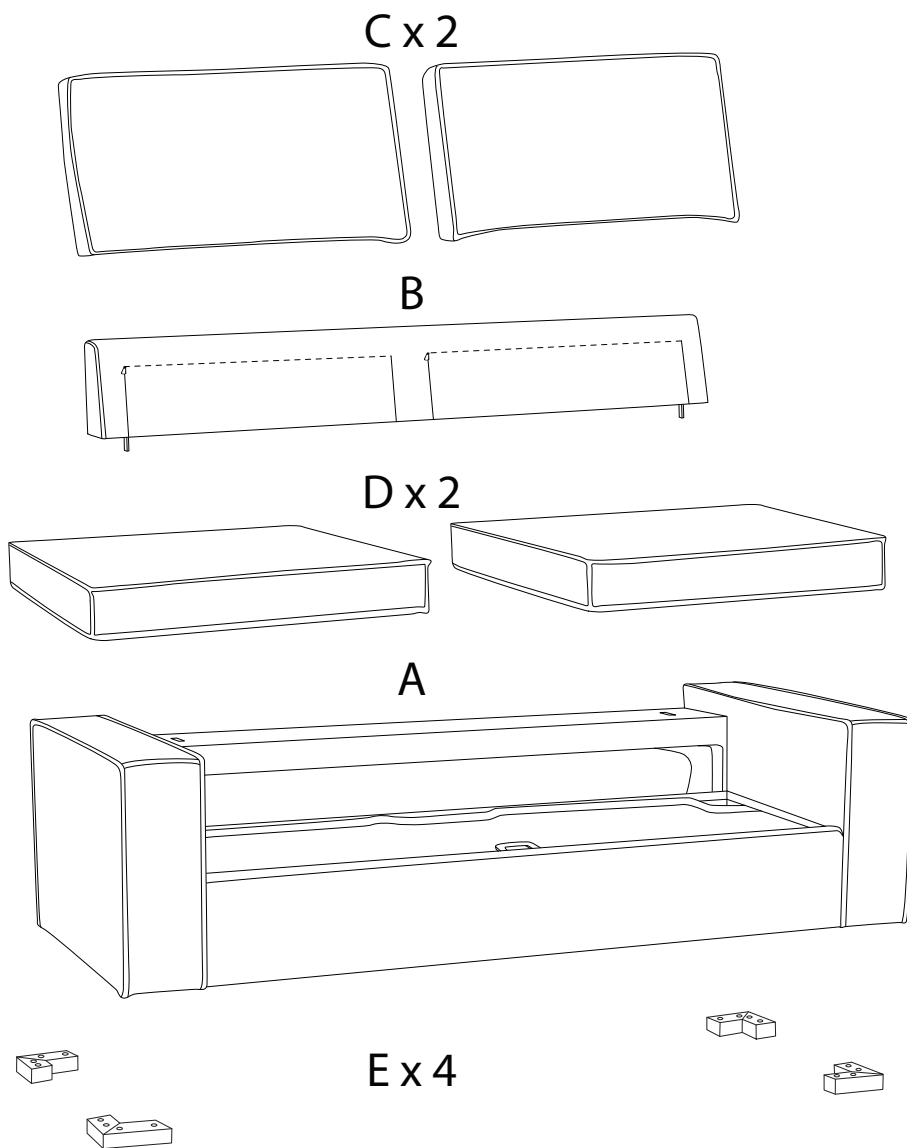
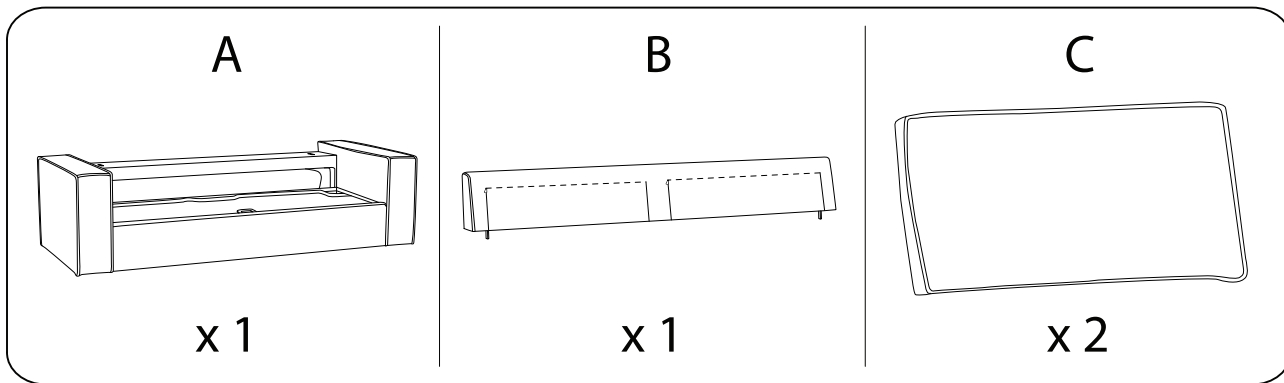


VUOKATTI

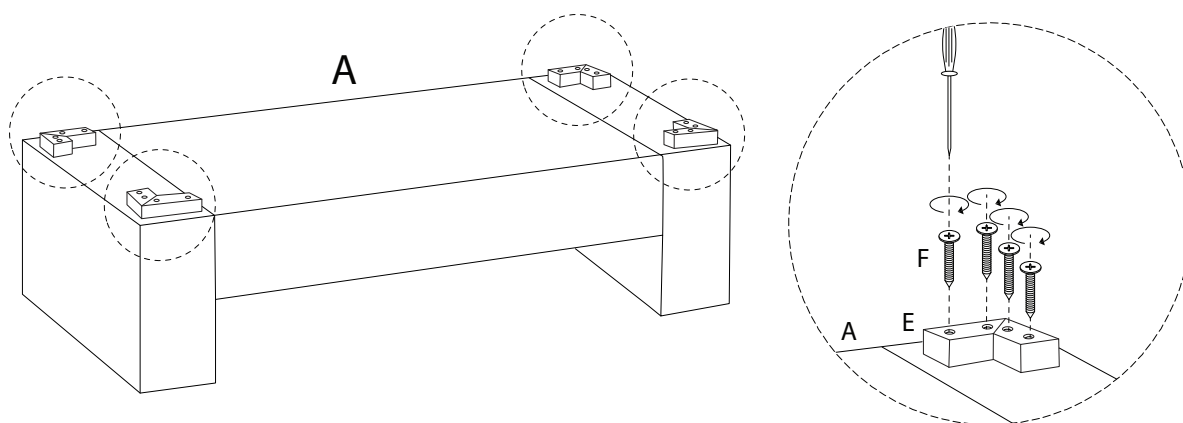
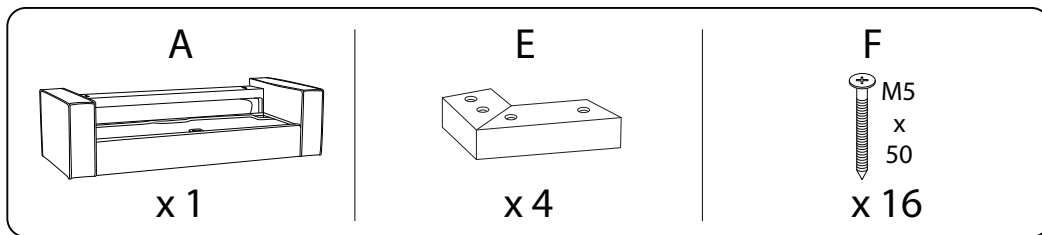




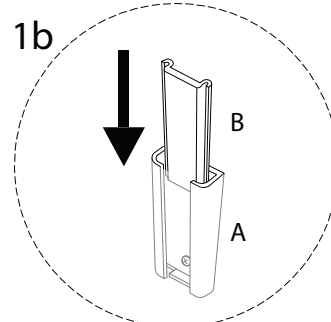
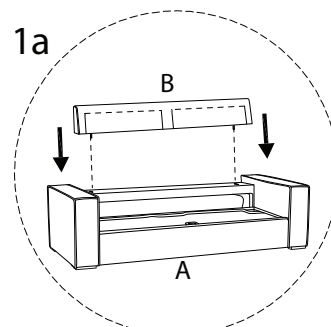
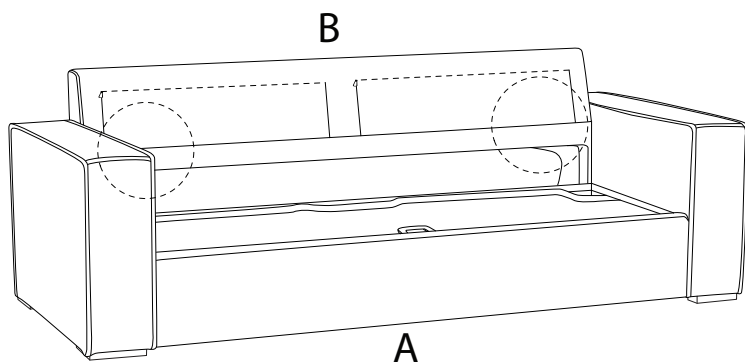
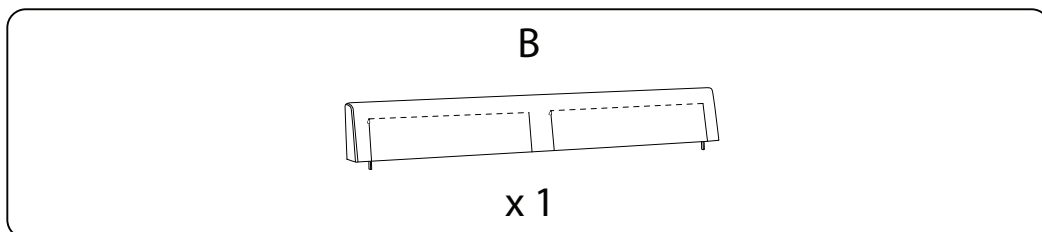
 A circular icon containing a screwdriver, and a power drill icon with a diagonal line through it, indicating that a power drill should not be used.		
<p>20'</p>		
 A circular icon containing a cushion on a base, and a diagram showing a cushion being attached to a base with a screw, with a diagonal line through it, indicating that screws should not be used to attach the cushion to the base.		
<p>1</p>		



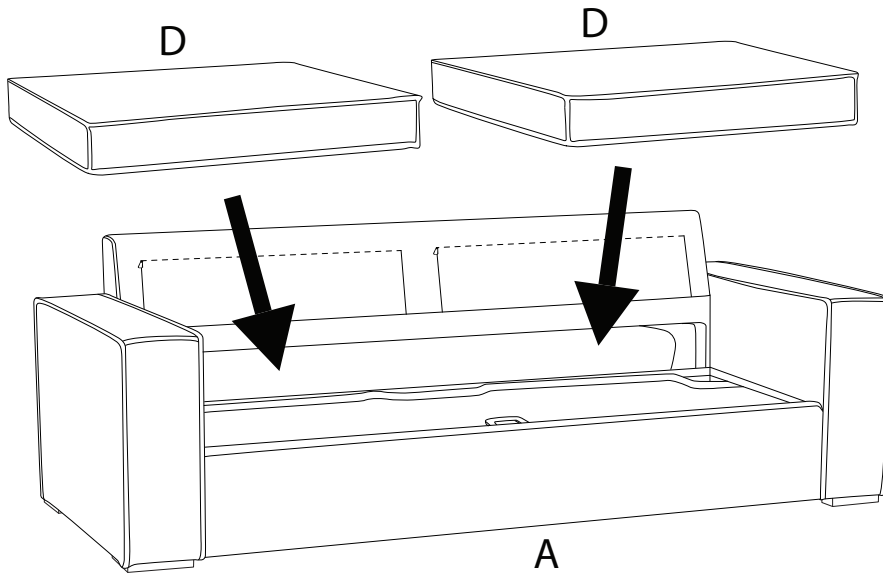
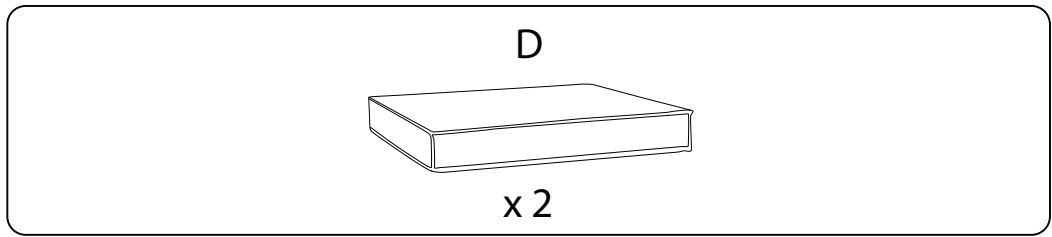
1



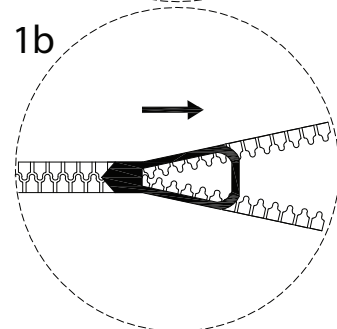
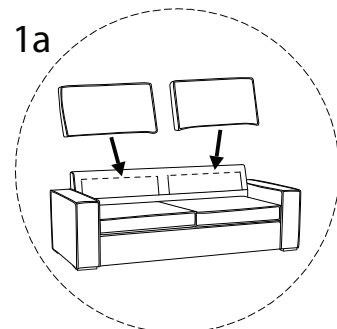
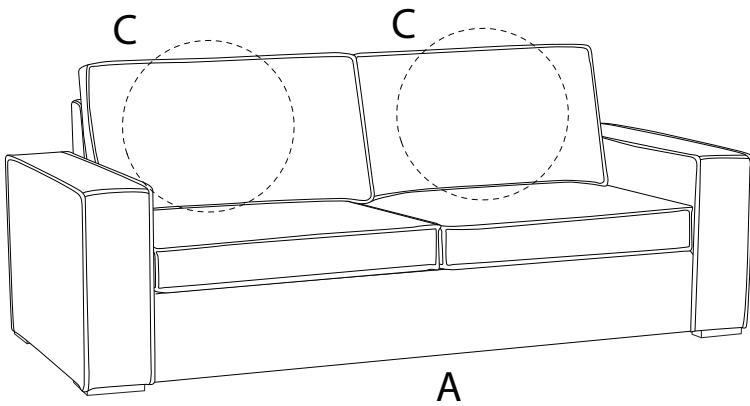
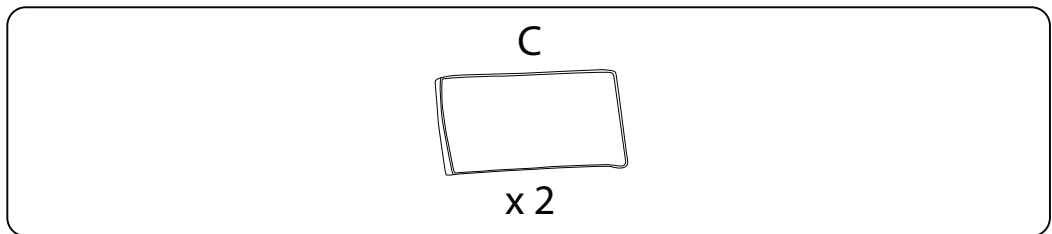
2



3



4



!

