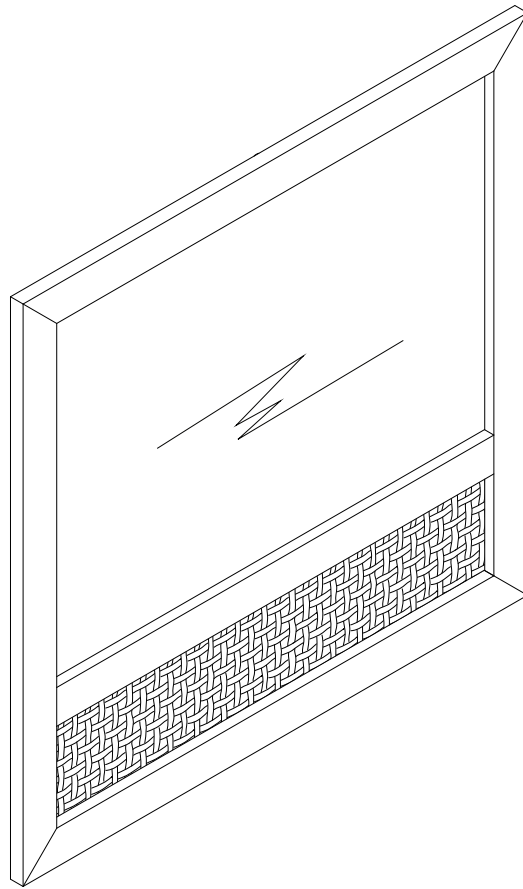
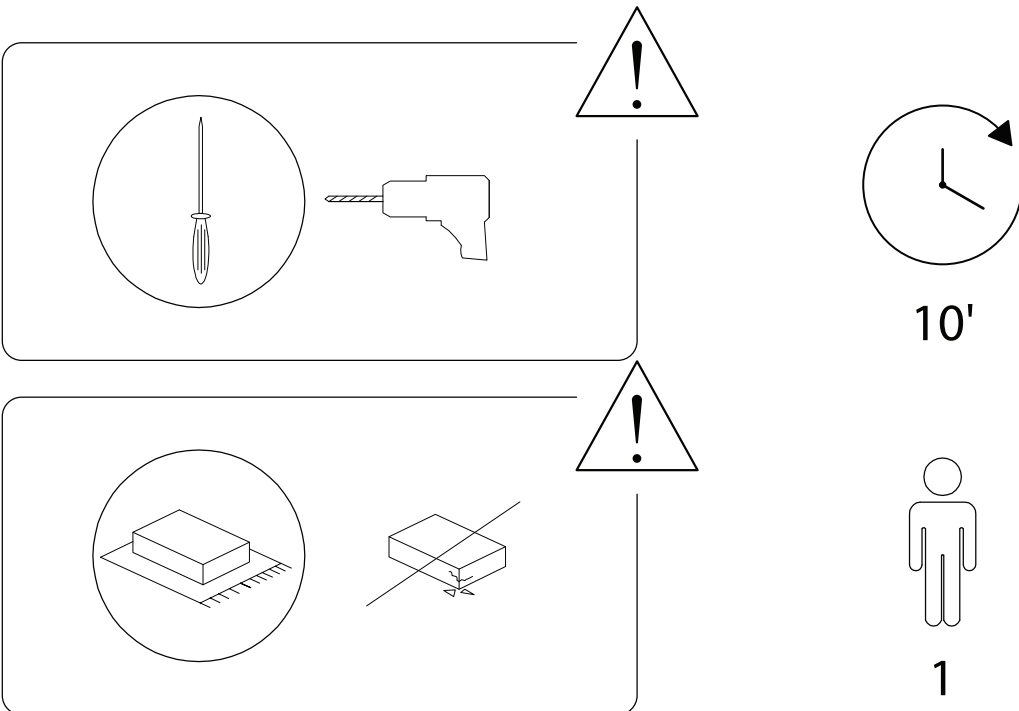
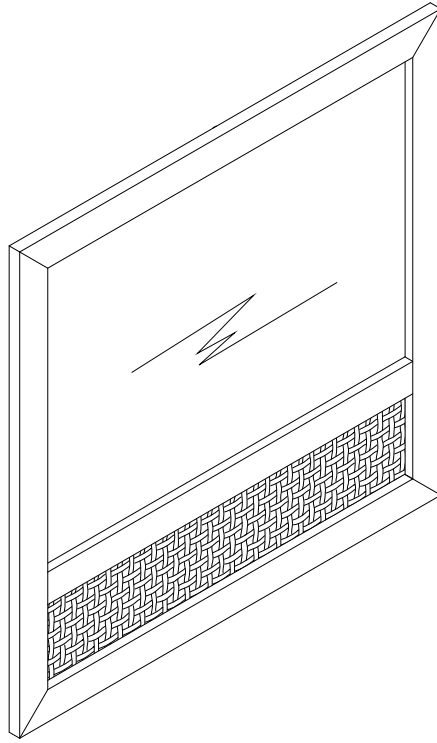
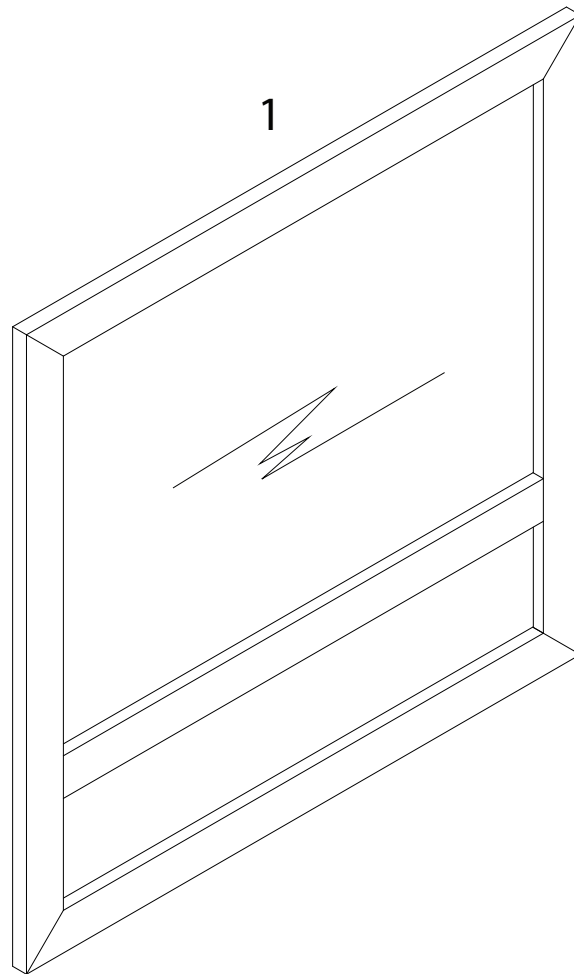
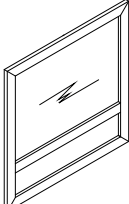

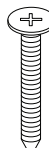
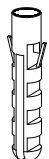
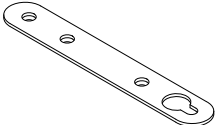


ROSELL

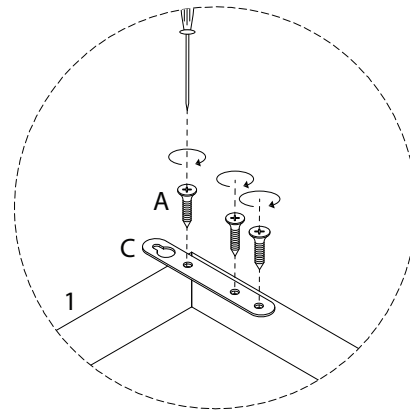
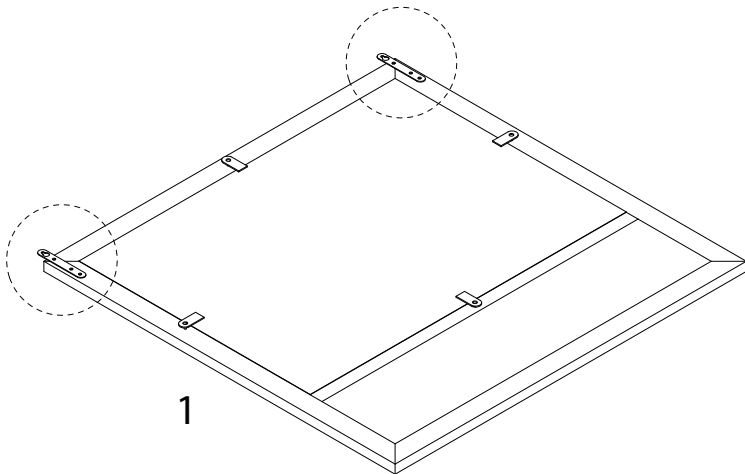
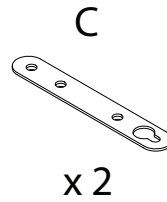
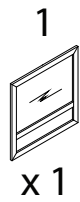




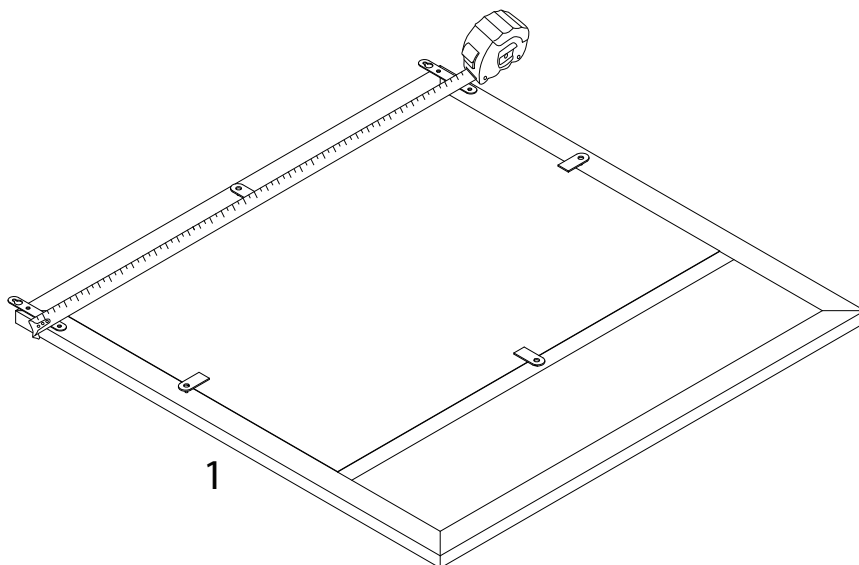


<p>1</p>  <p>x 1</p>	<p>A</p>  <p>M3.5 x 14</p> <p>x 6</p>	<p>B1</p>  <p>M4 x 30</p> <p>x 2</p>	<p>B2</p>  <p>x 2</p>	<p>C</p>  <p>x 2</p>
-----------------------------------------------------------------------------------------------------------------------	------------------------------------------------------------------------------------------------------------------------------------------------	-----------------------------------------------------------------------------------------------------------------------------------------------	--------------------------------------------------------------------------------------------------------------------------	-------------------------------------------------------------------------------------------------------------------------

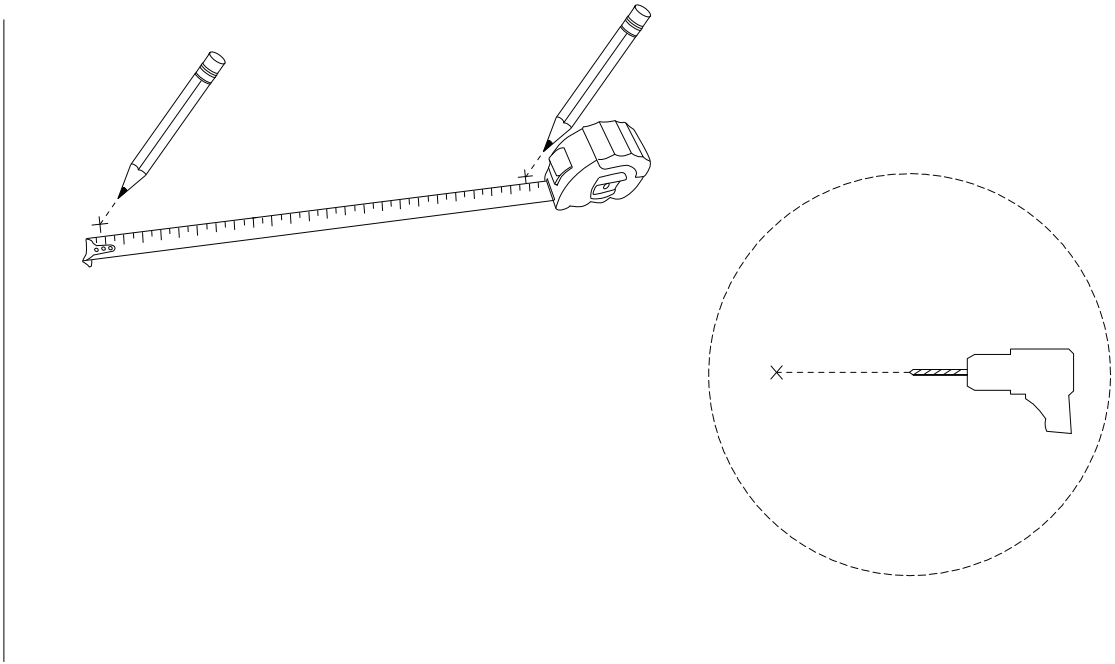
1



2



3



4

