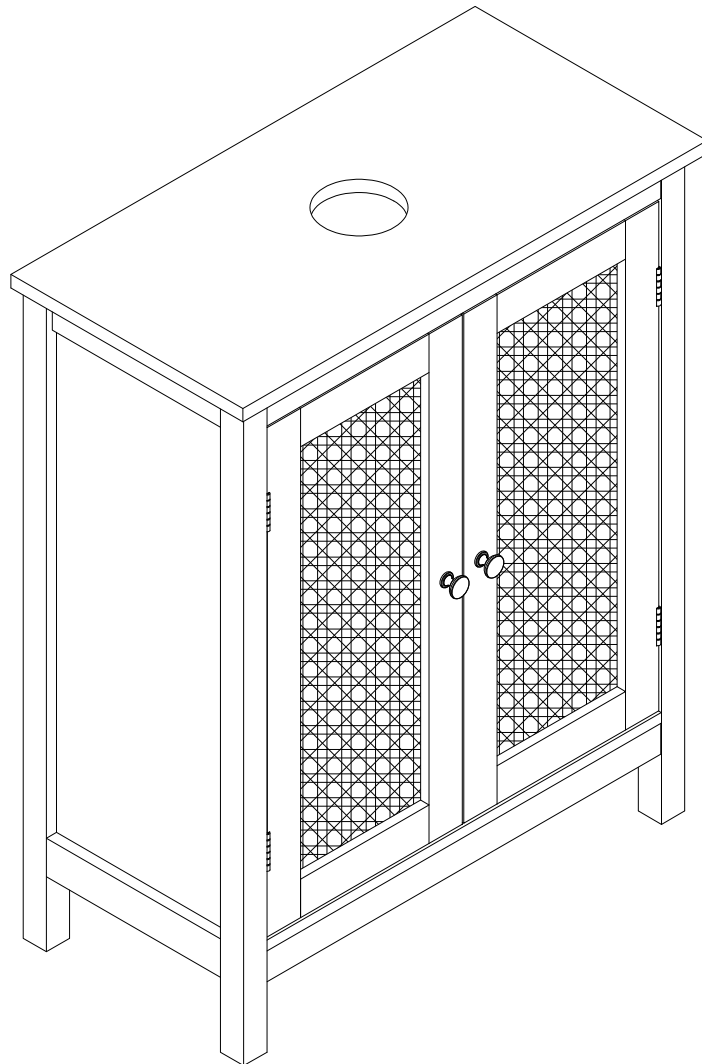
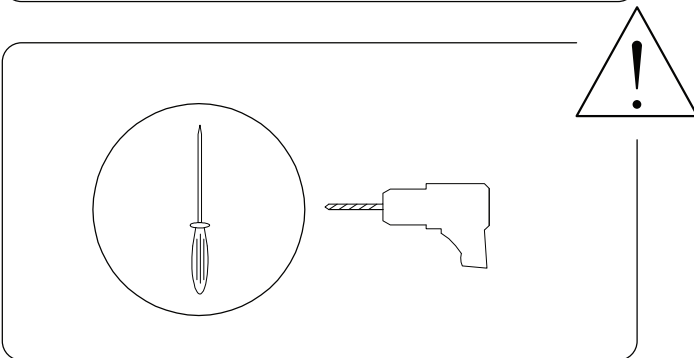
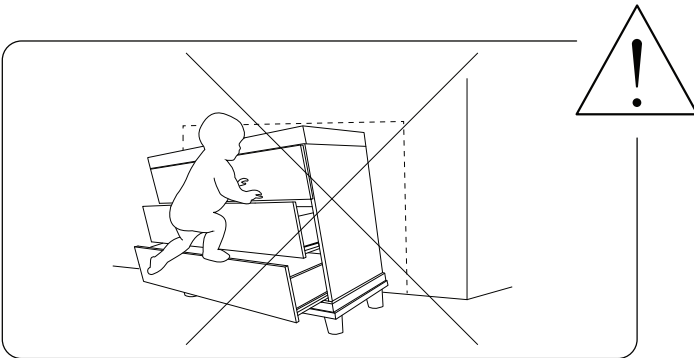
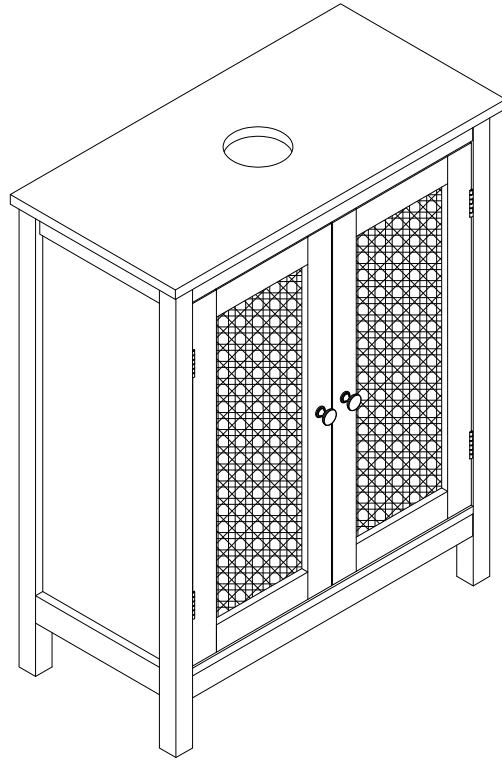
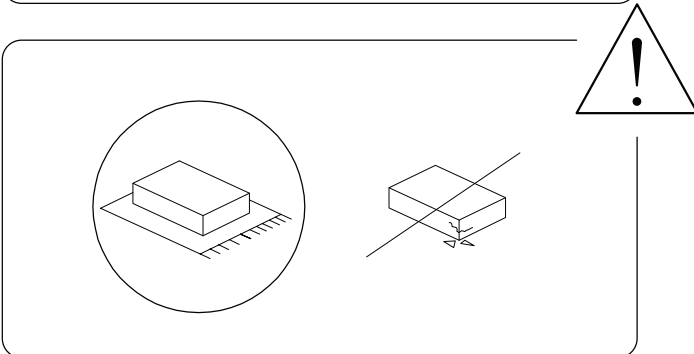


ALAMOS

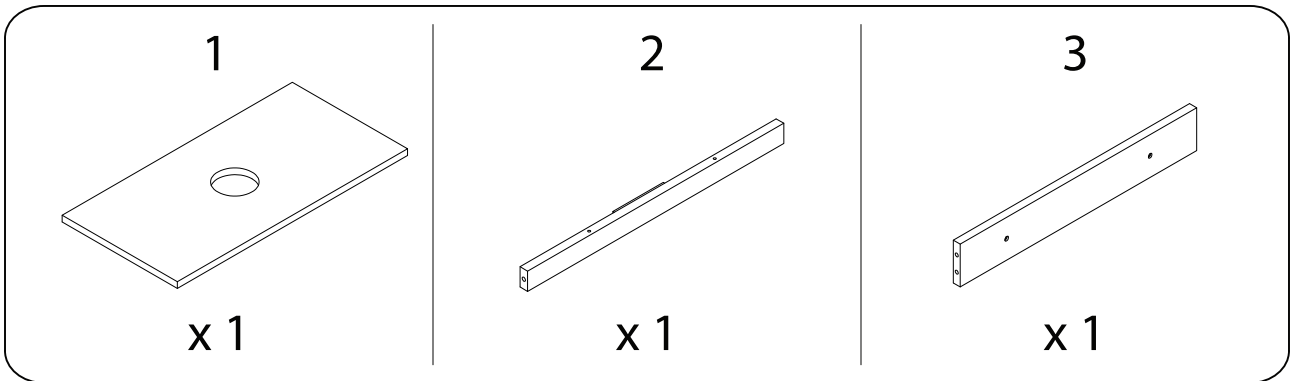
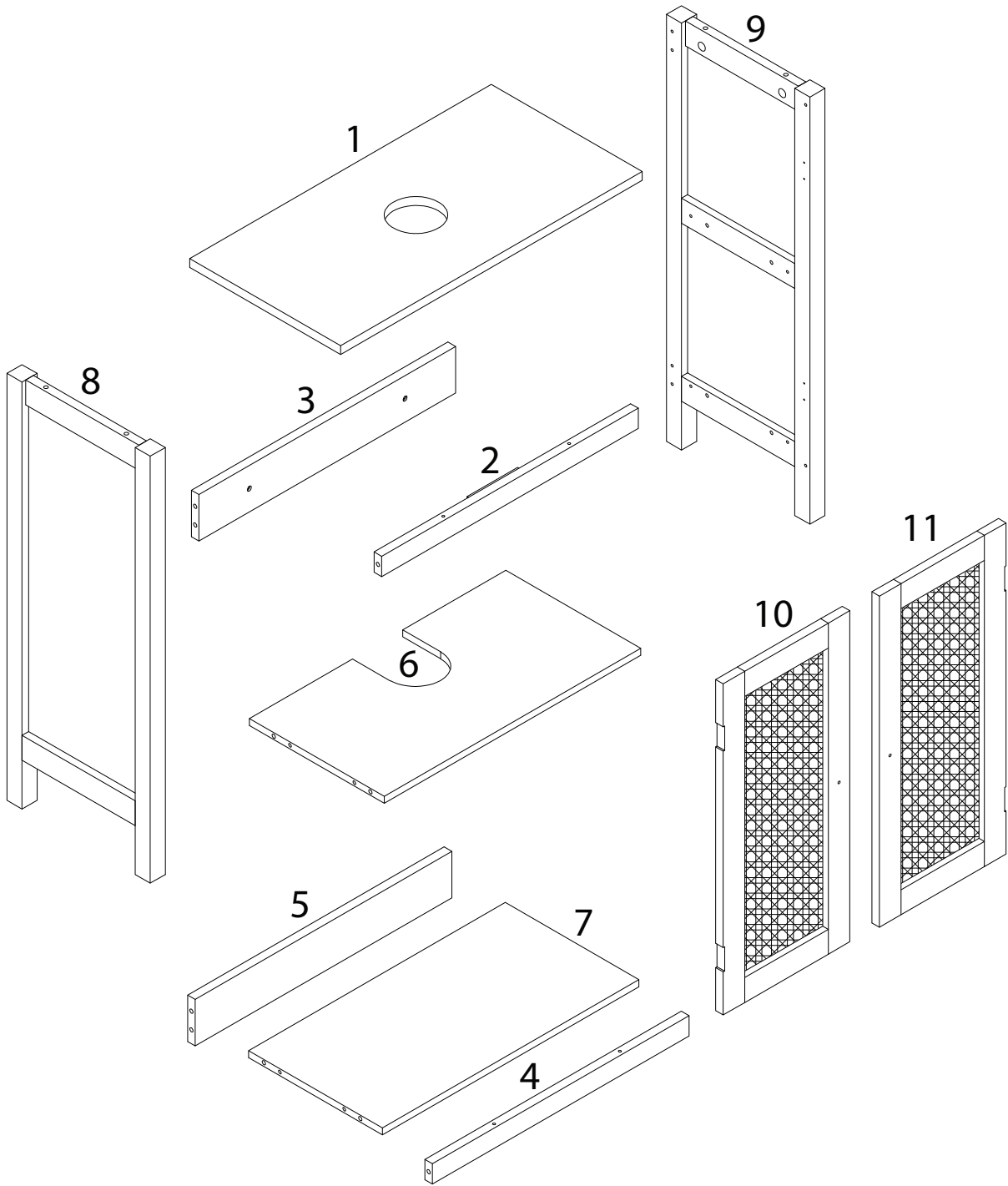


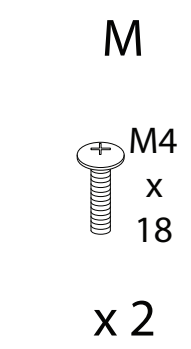
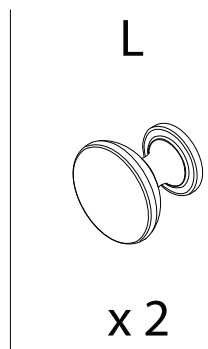
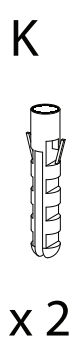
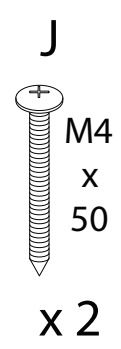
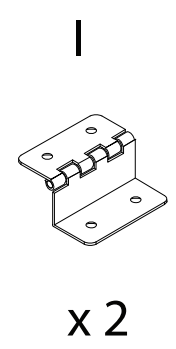
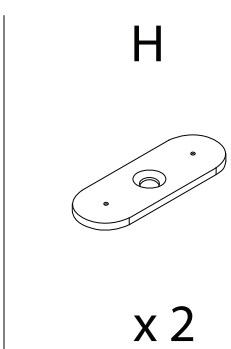
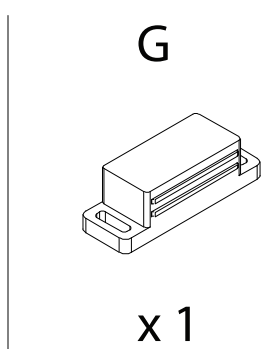
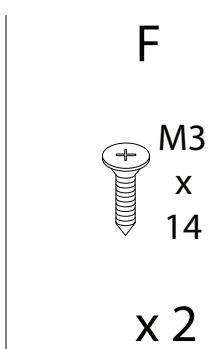
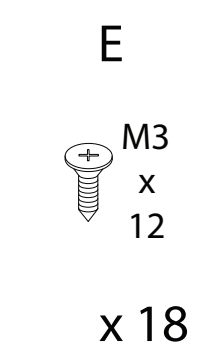
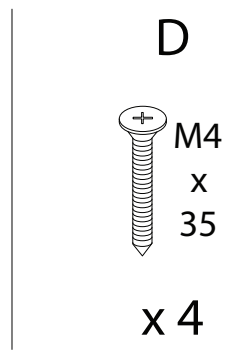
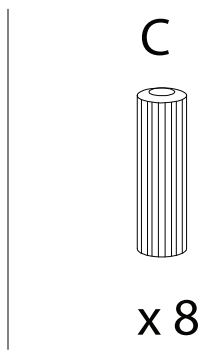
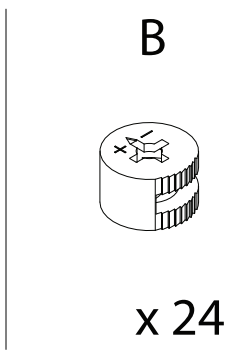
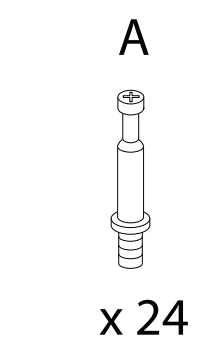
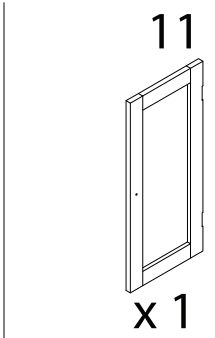
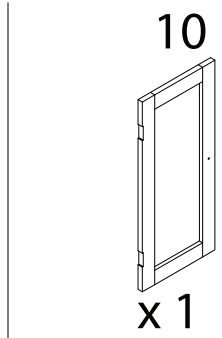
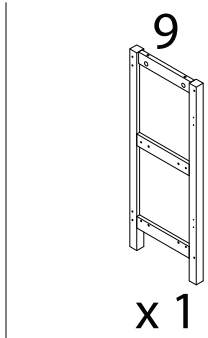
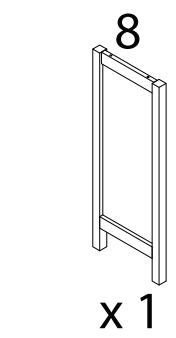
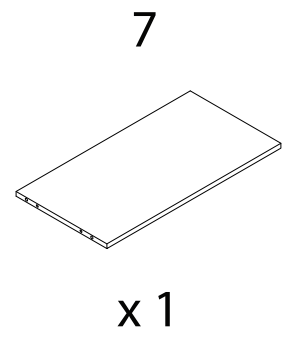
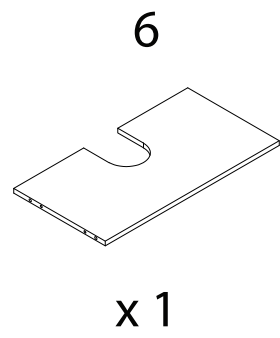
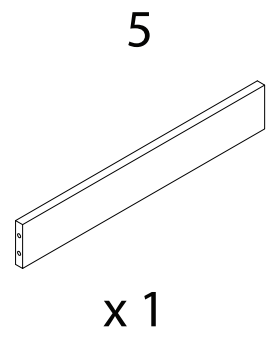
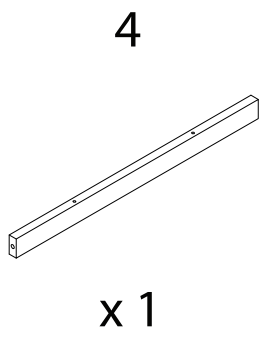


40'

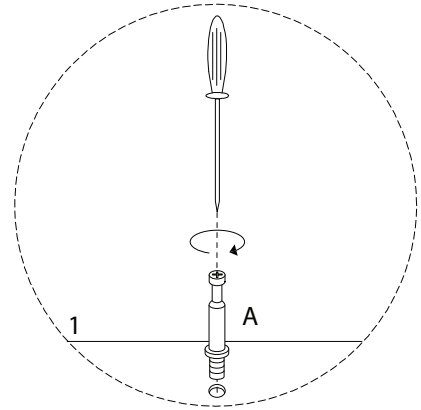
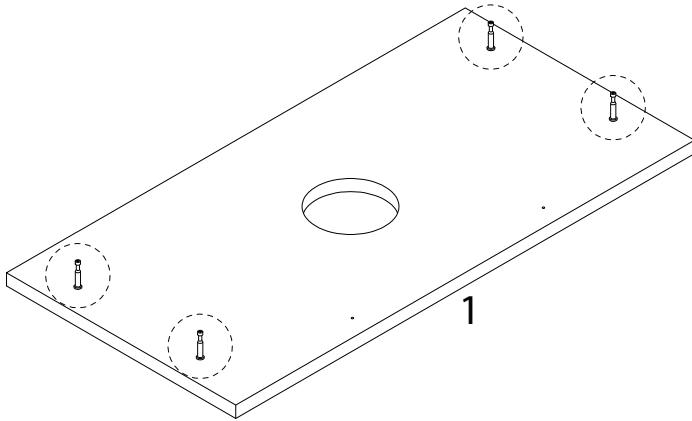
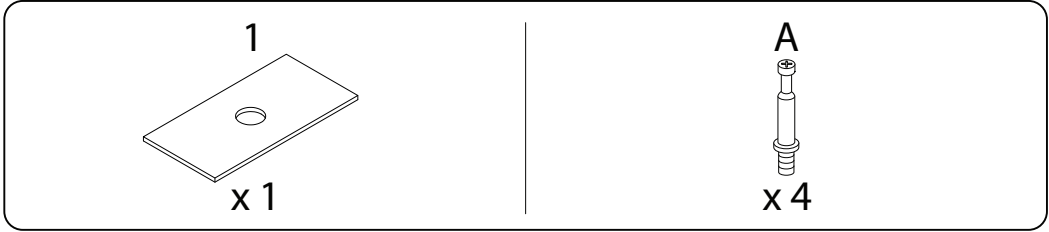


2

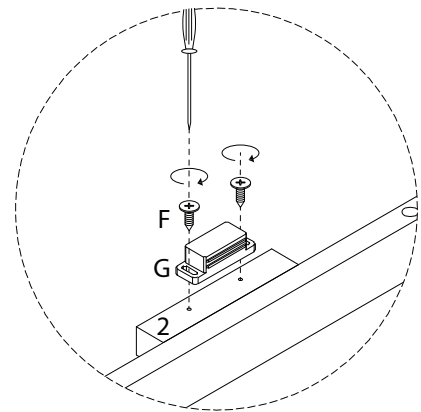
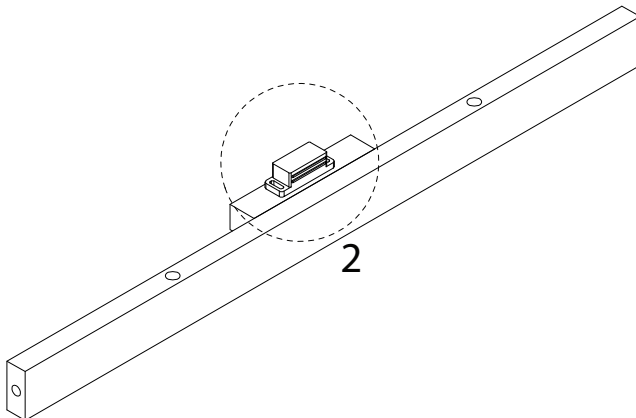
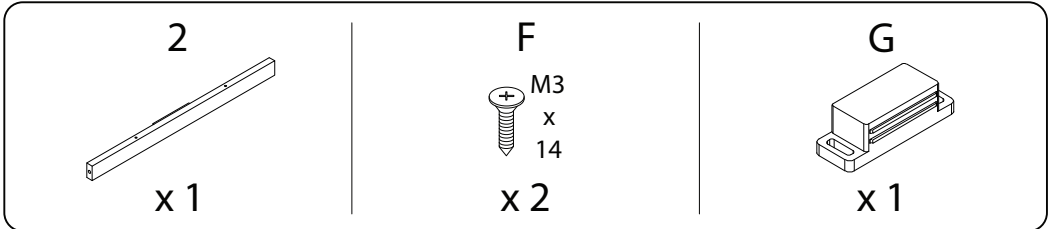




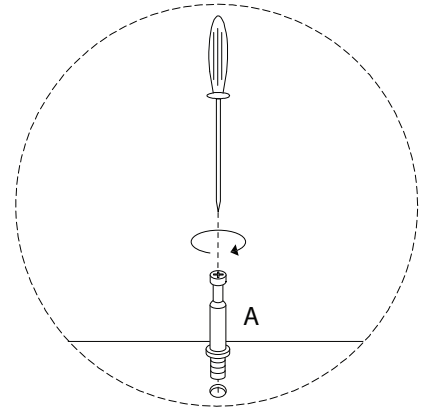
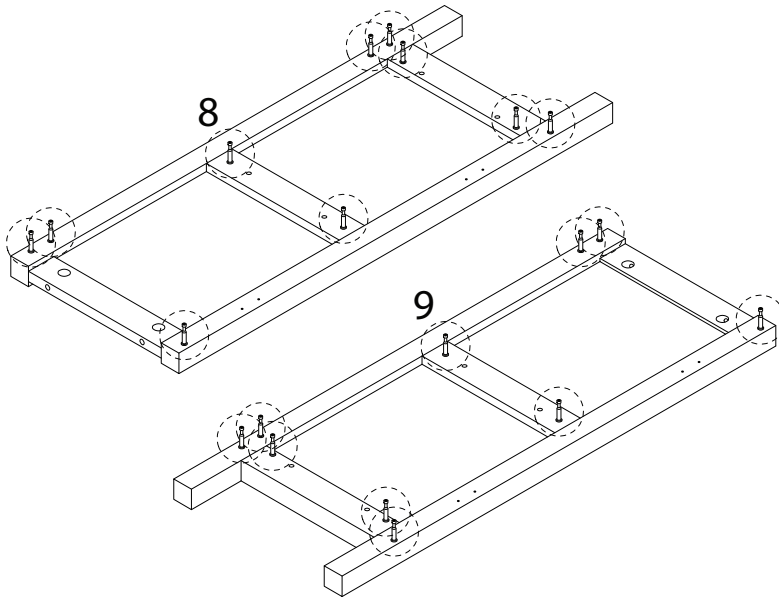
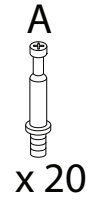
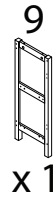
1



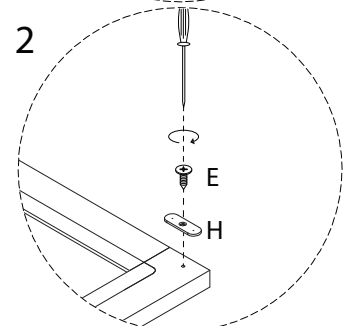
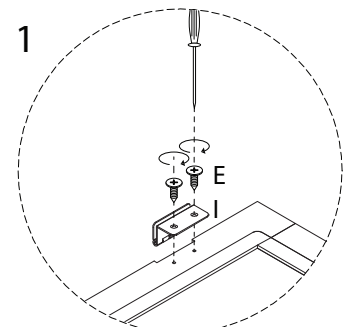
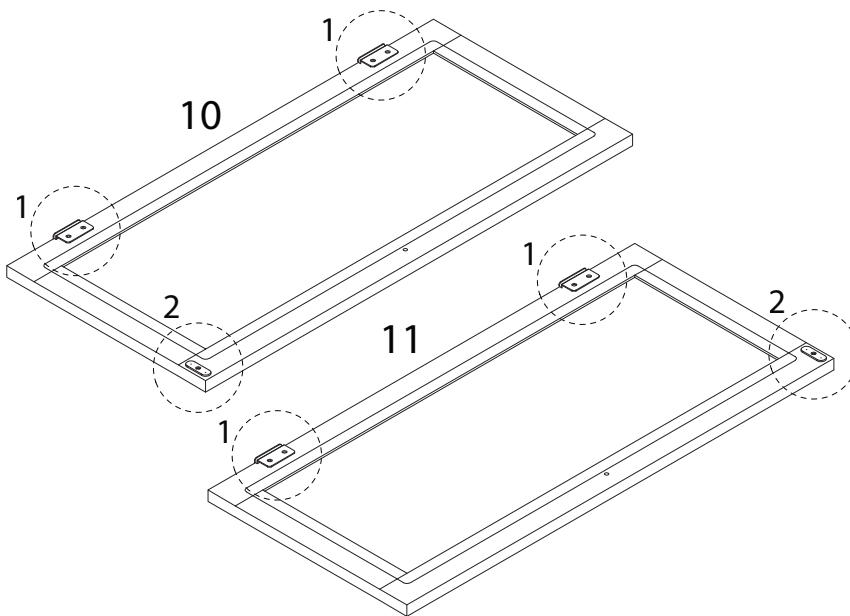
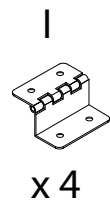
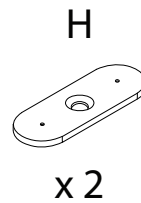
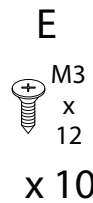
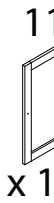
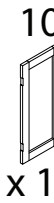
2



3



4



5

L

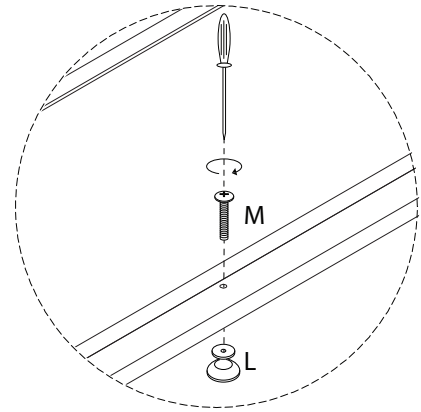
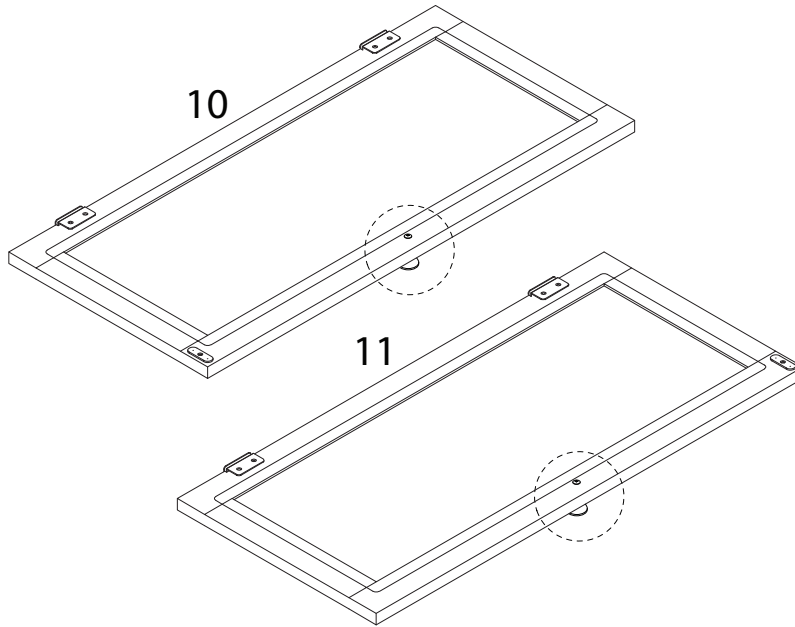


x 2

M

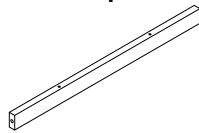


x 2



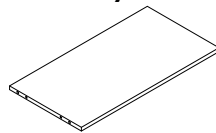
6

4



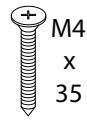
x 1

7

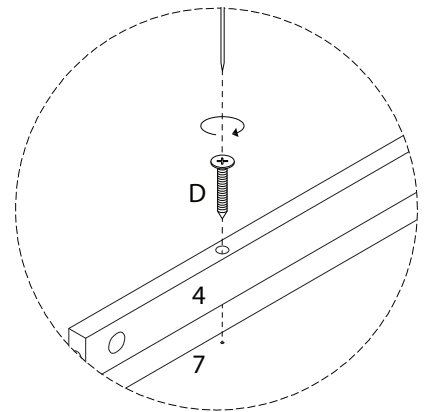
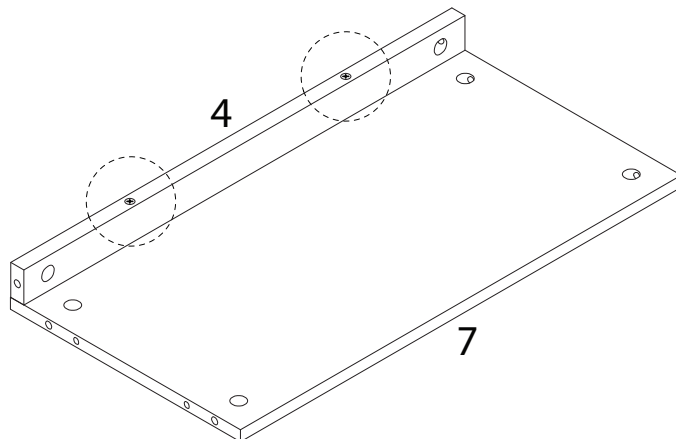


x 1

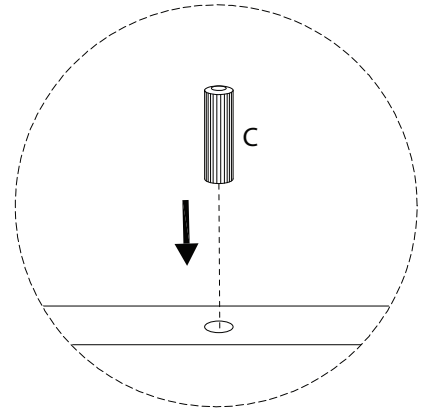
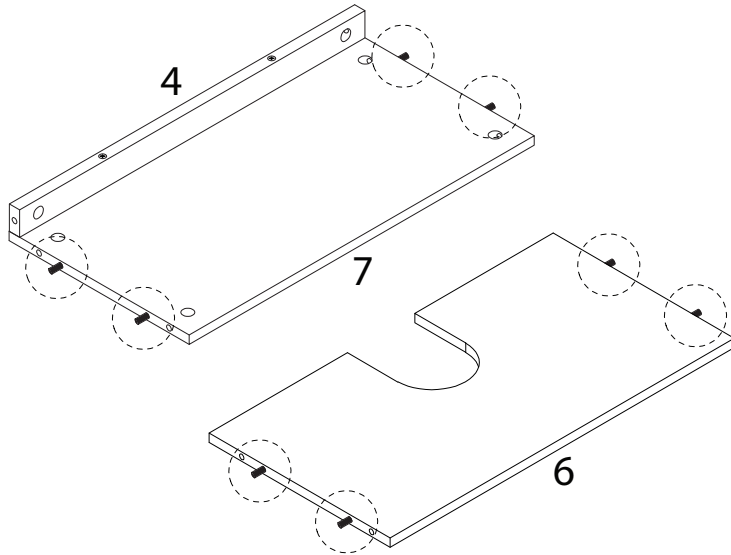
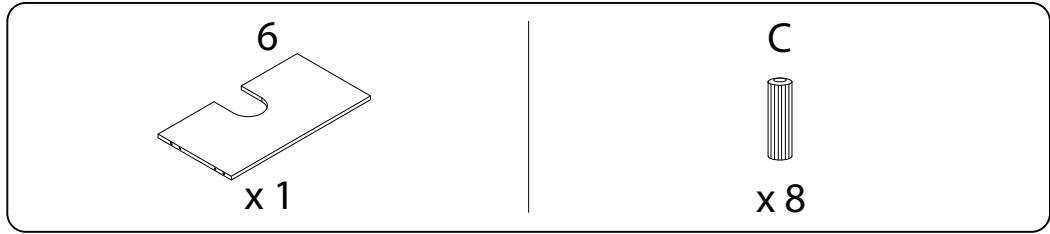
D



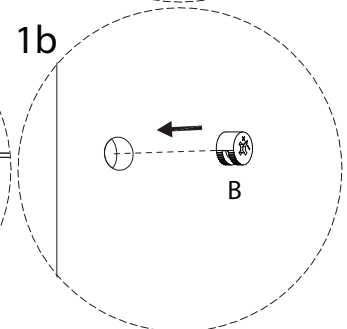
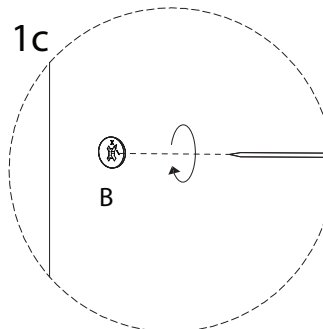
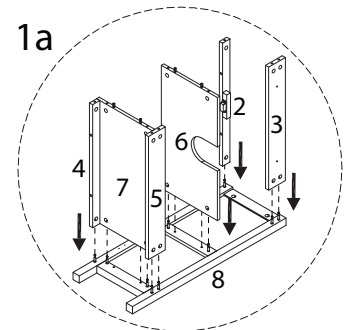
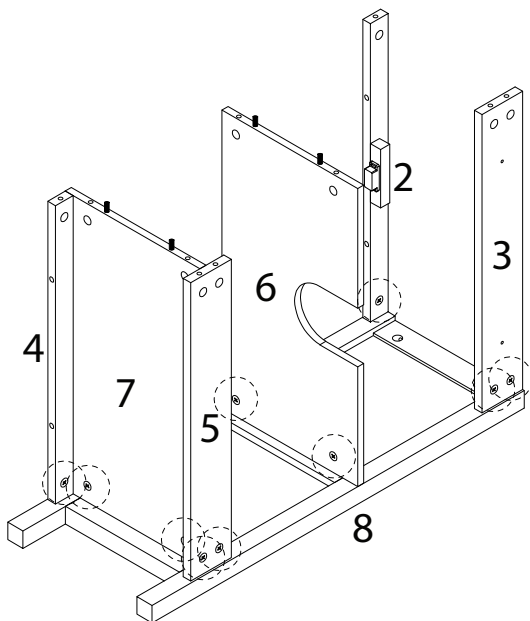
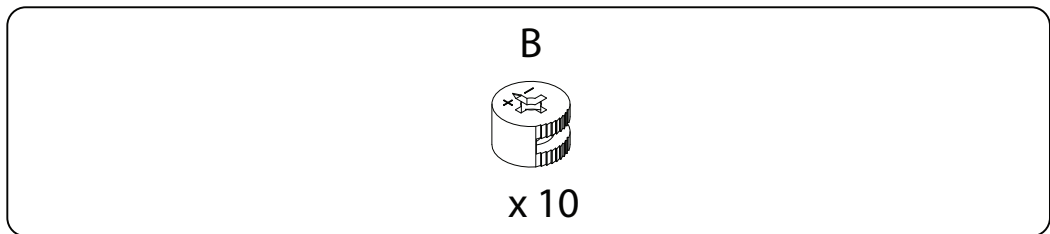
x 2



7



8

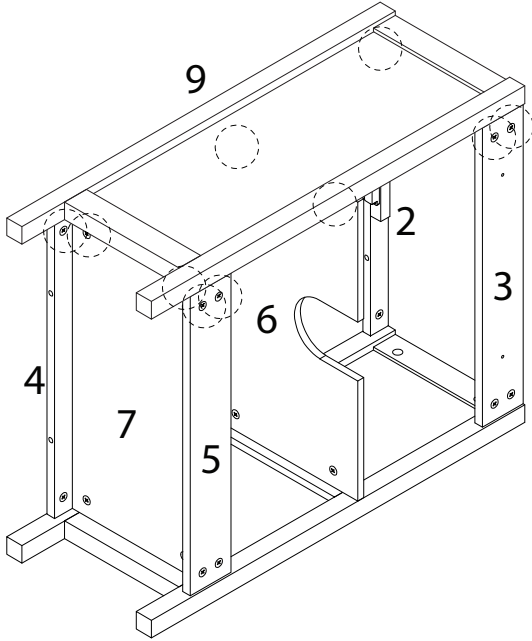


9

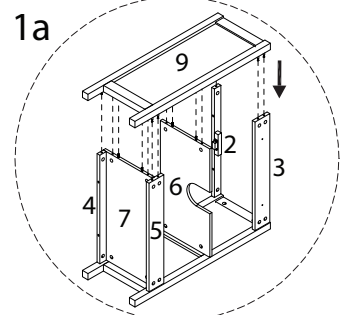
B



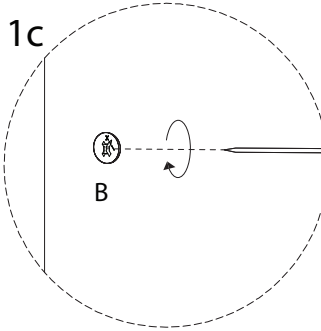
x 10



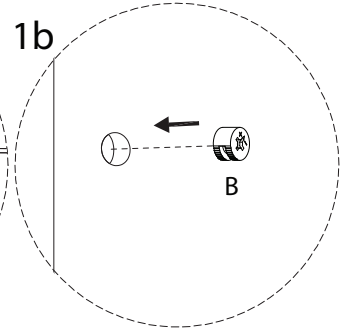
1a



1c



1b

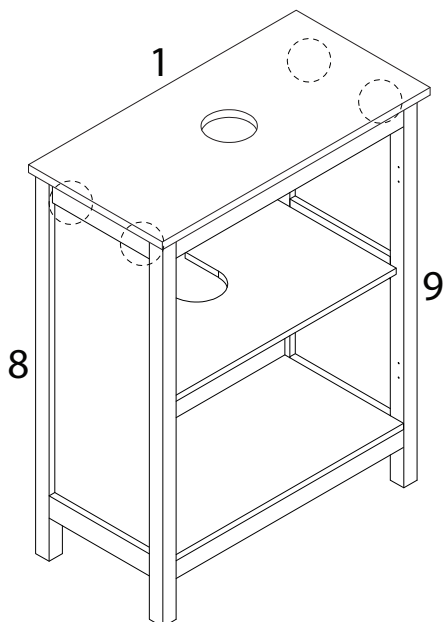


10

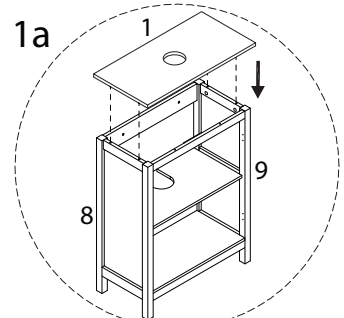
B



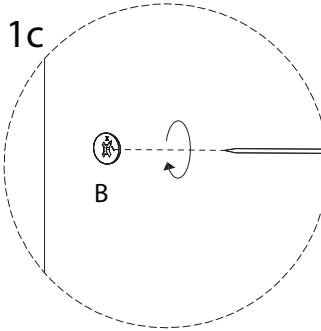
x 4



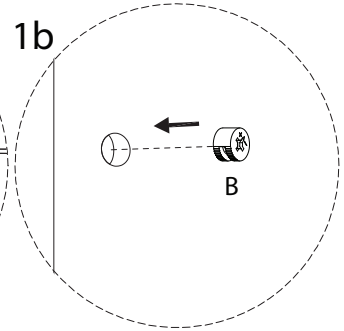
1a



1c

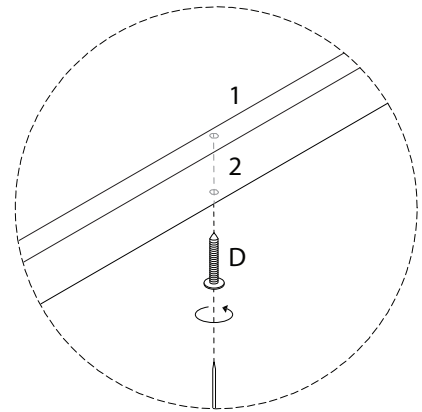
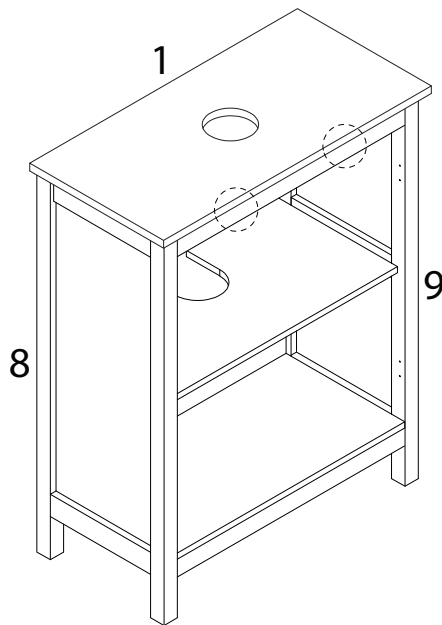


1b



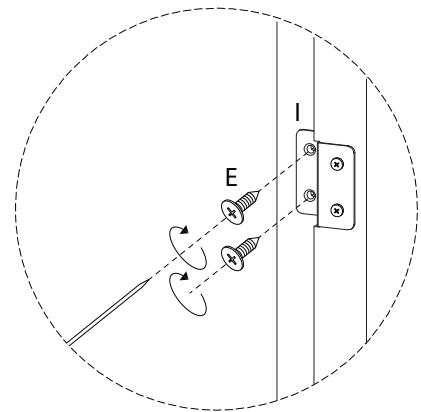
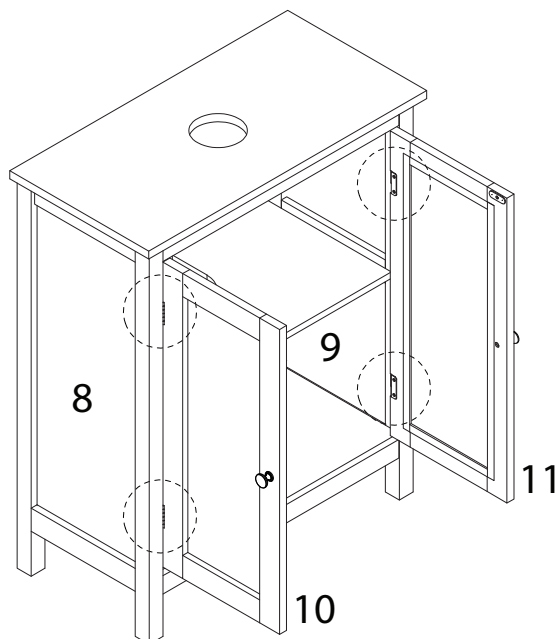
11

D
M4
x
35
x 2



12

E
M3
x
12
x 8



13

