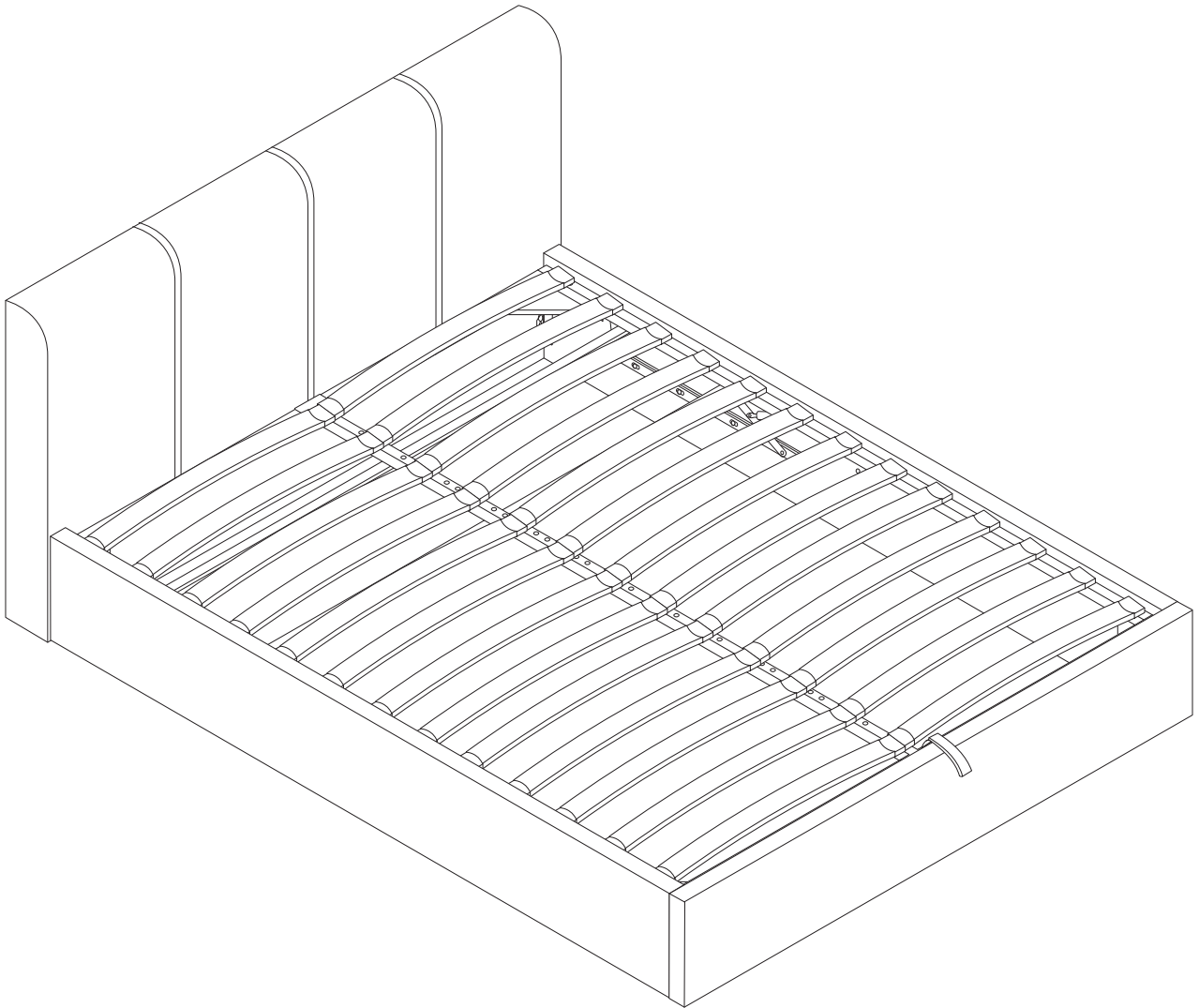
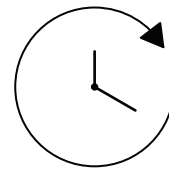
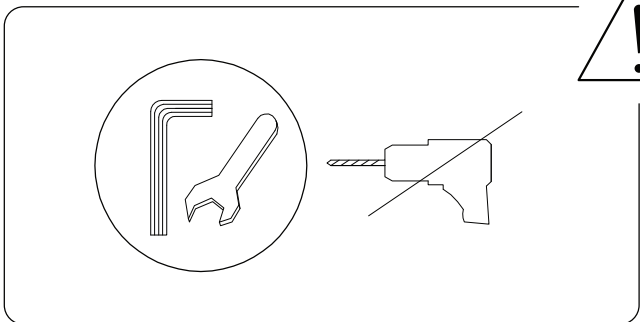
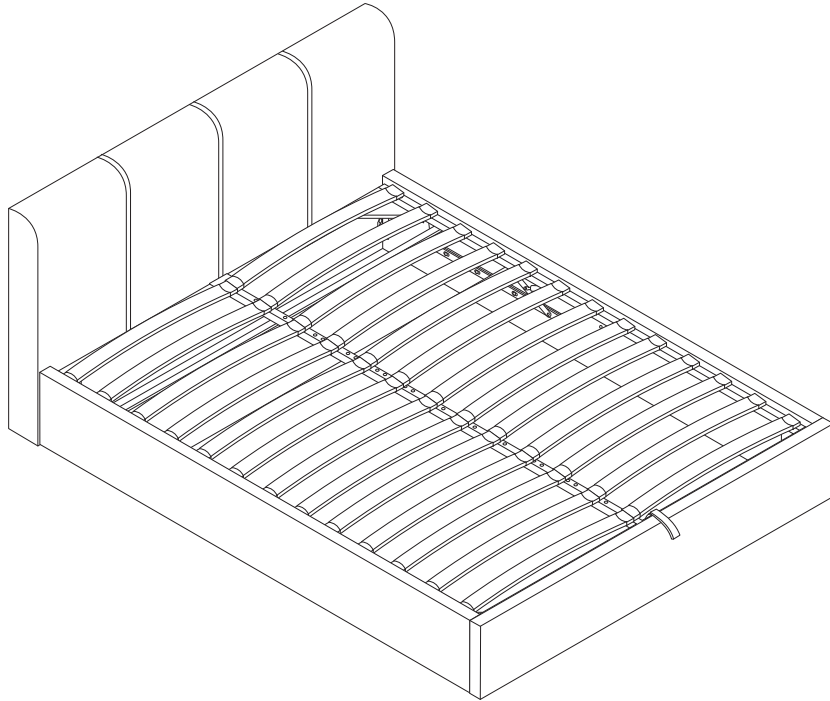
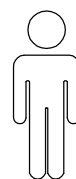
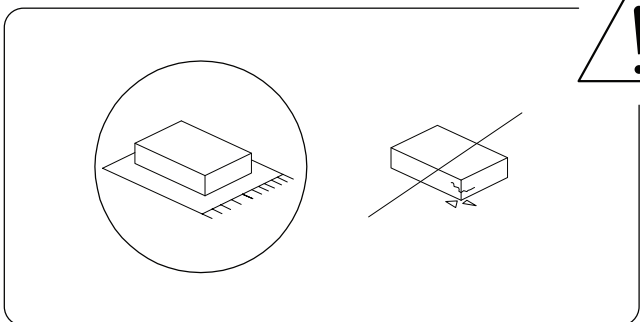


ORBEO

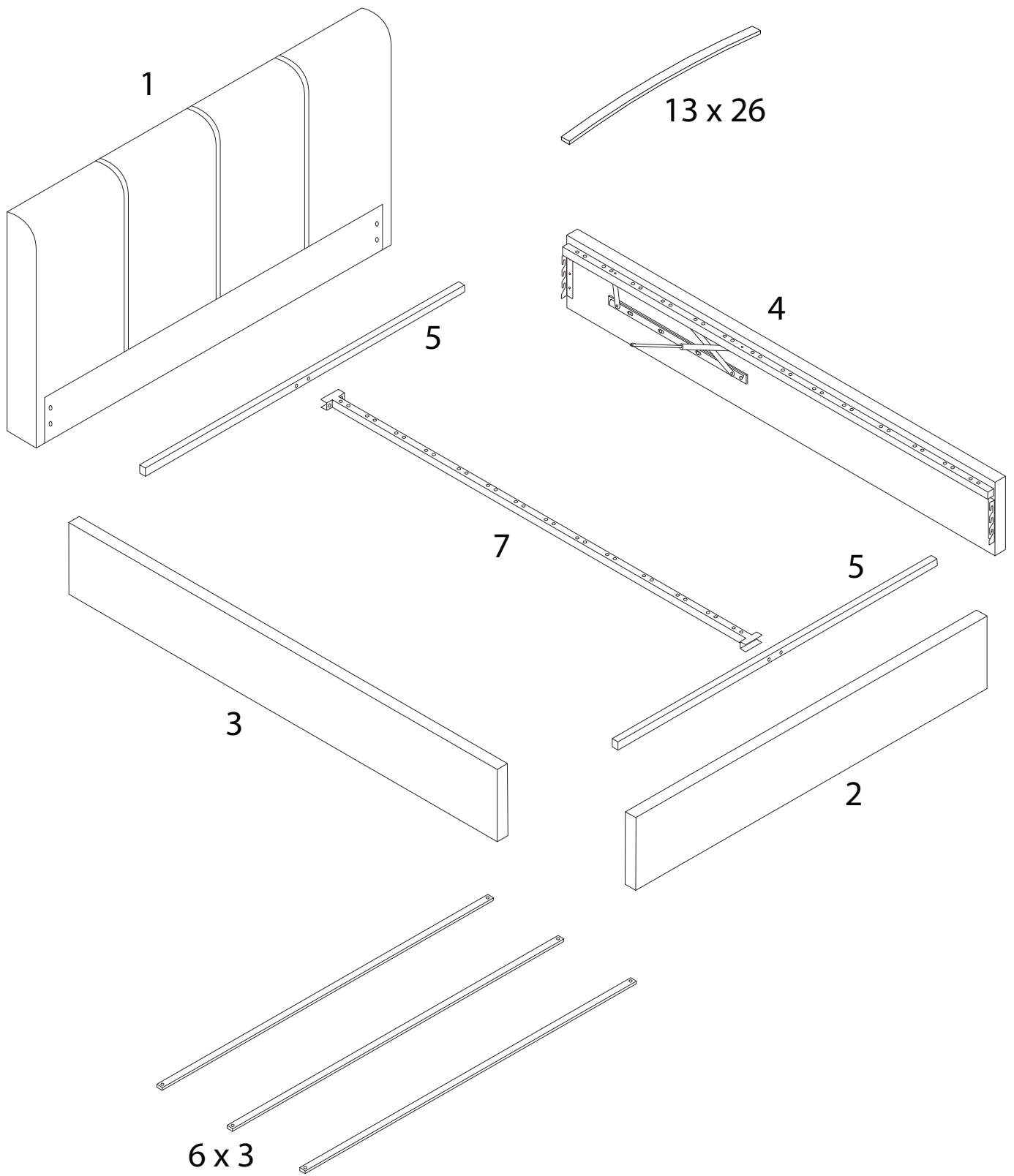


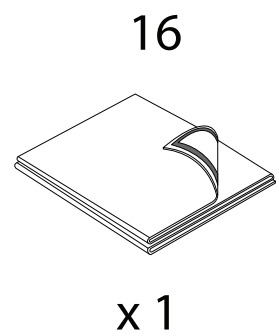
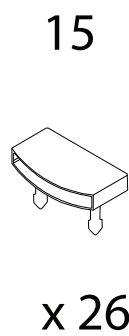
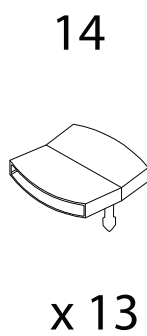
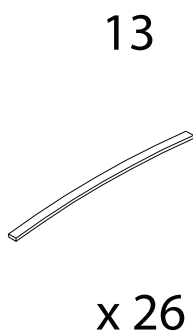
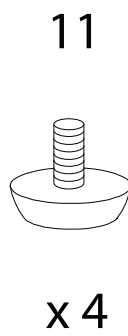
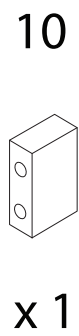
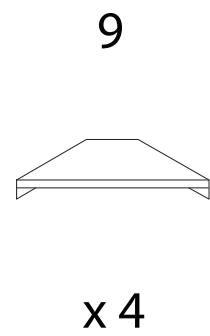
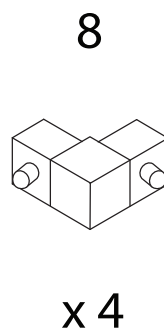
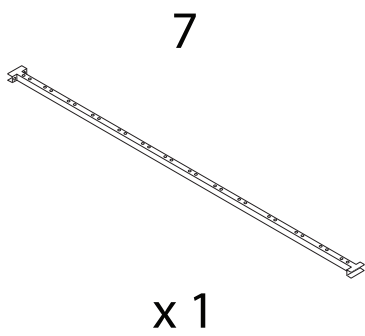
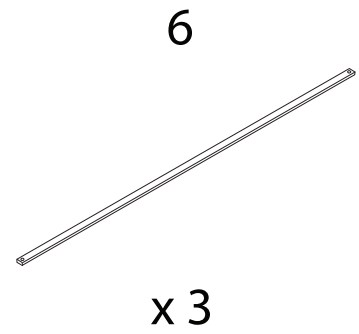
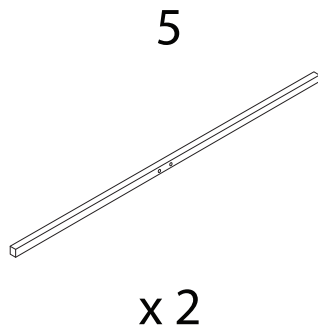
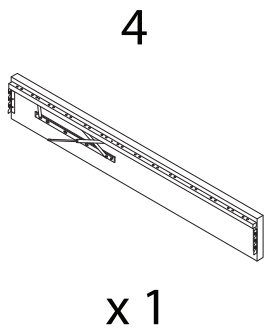
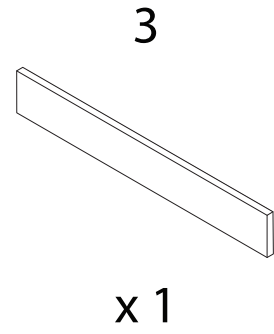
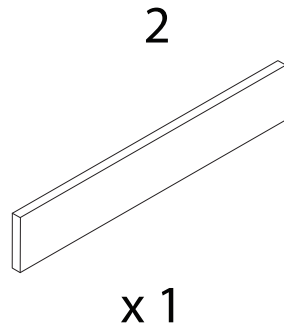
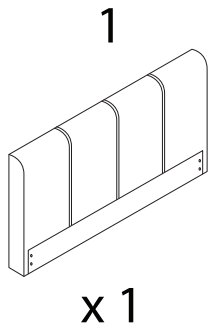


60'

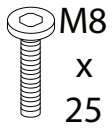


2



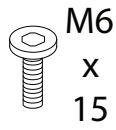


A



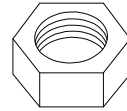
x 12

B



x 12

C



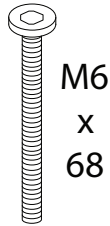
x 2

D



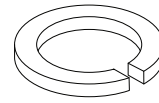
x 6

E



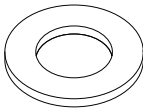
x 2

F



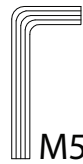
x 12

G



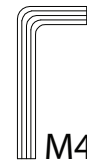
x 12

H



x 1

I



x 2

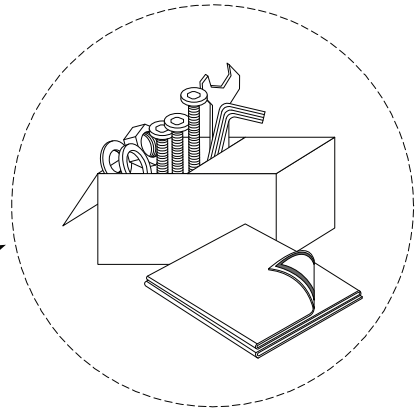
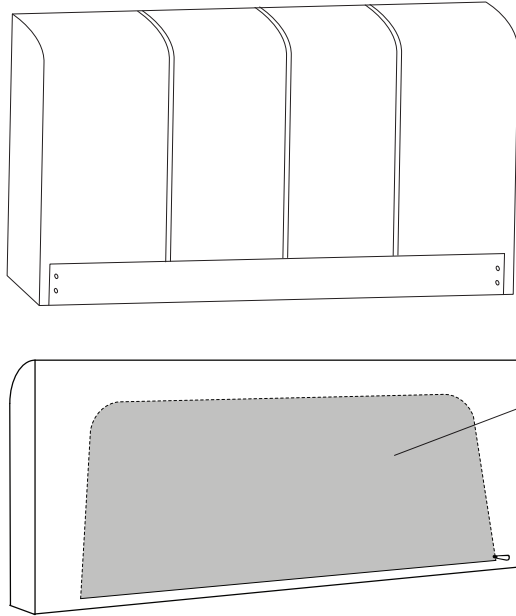
J



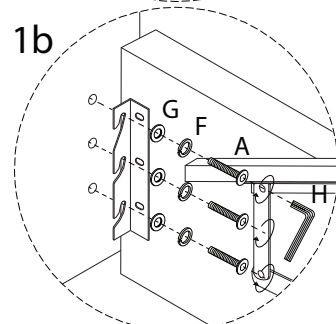
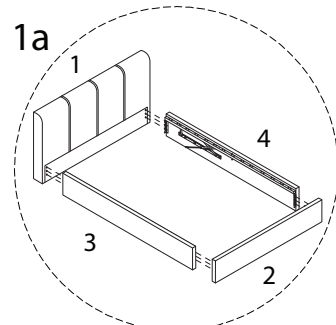
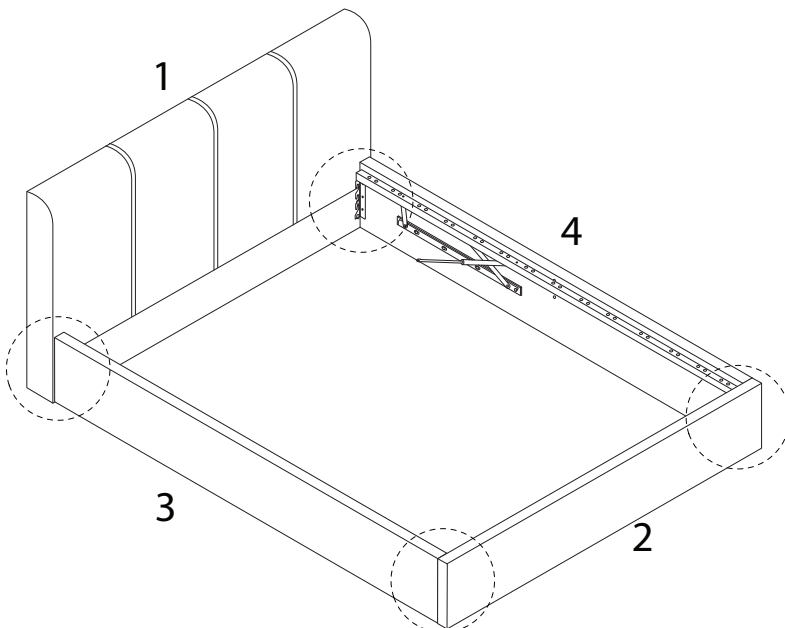
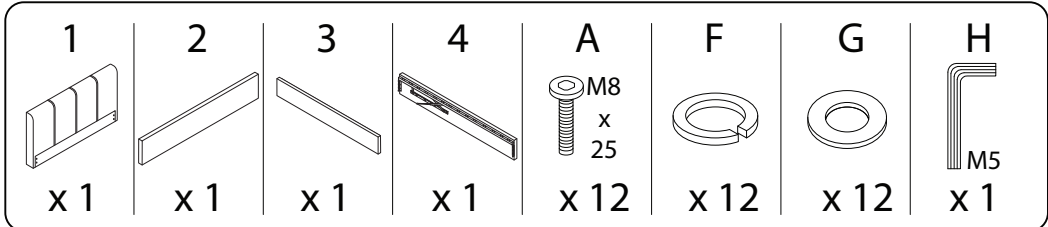
x 1

!

1

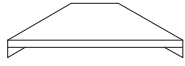


1



2

9



x 4

B

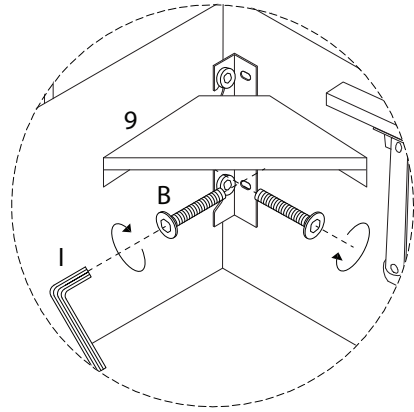
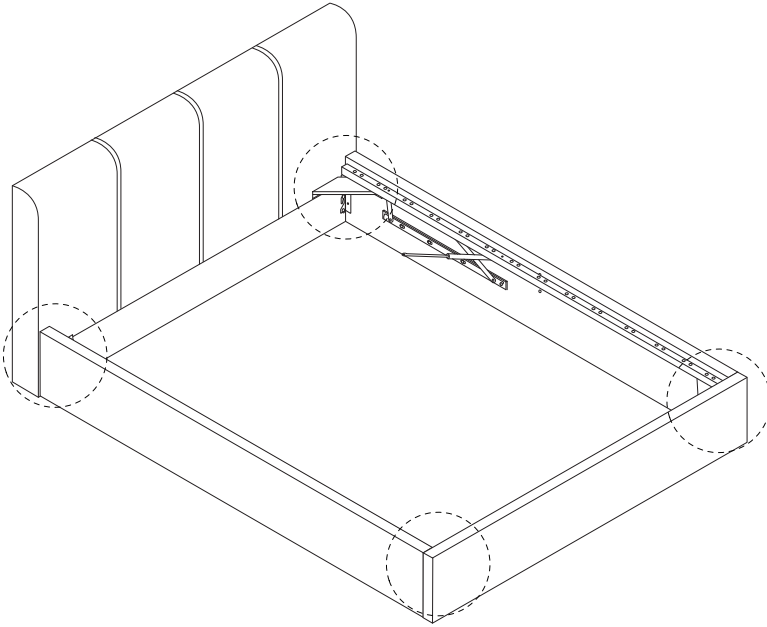


x 8

I

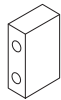


x 1



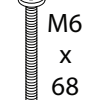
3

10



x 1

E

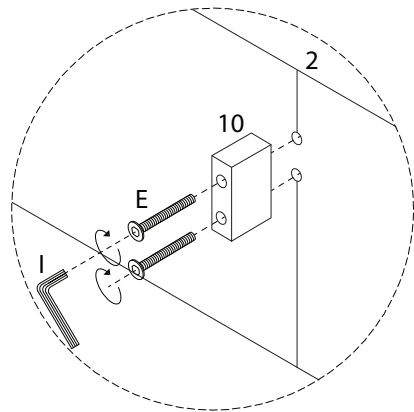
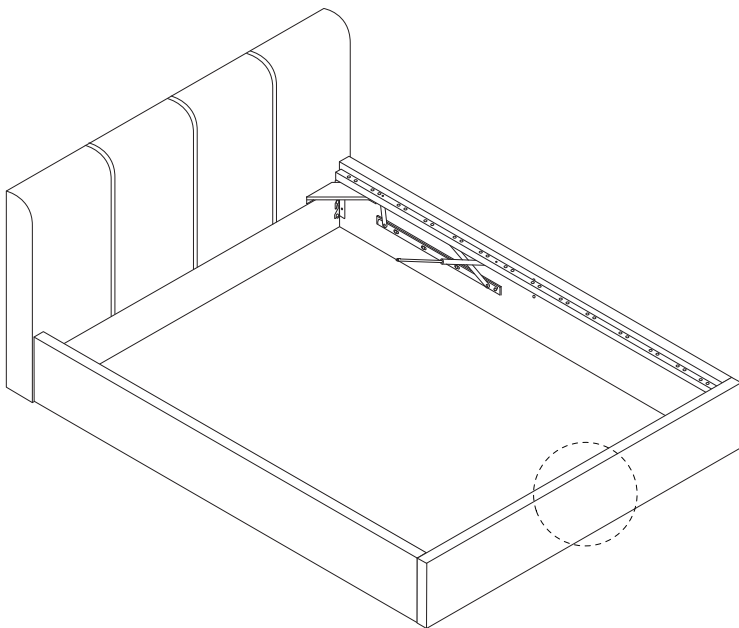


x 2

I



x 1



4

C

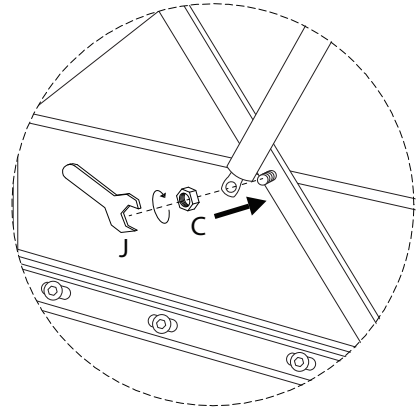
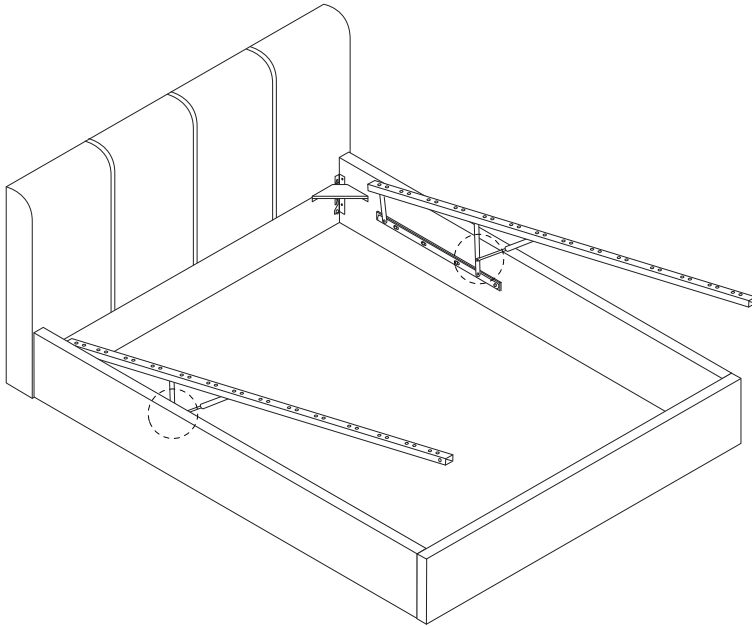


x 2

J

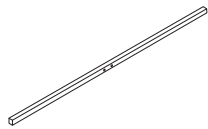


x 1



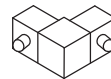
5

5

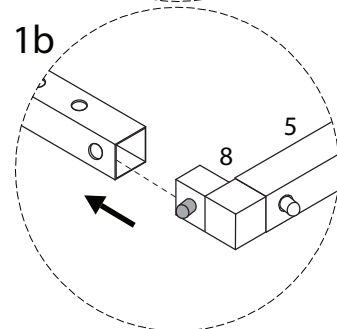
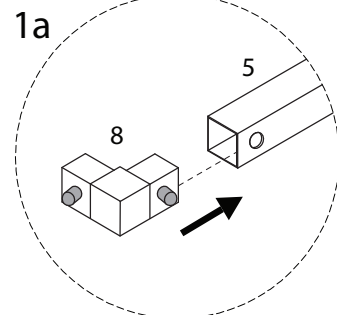
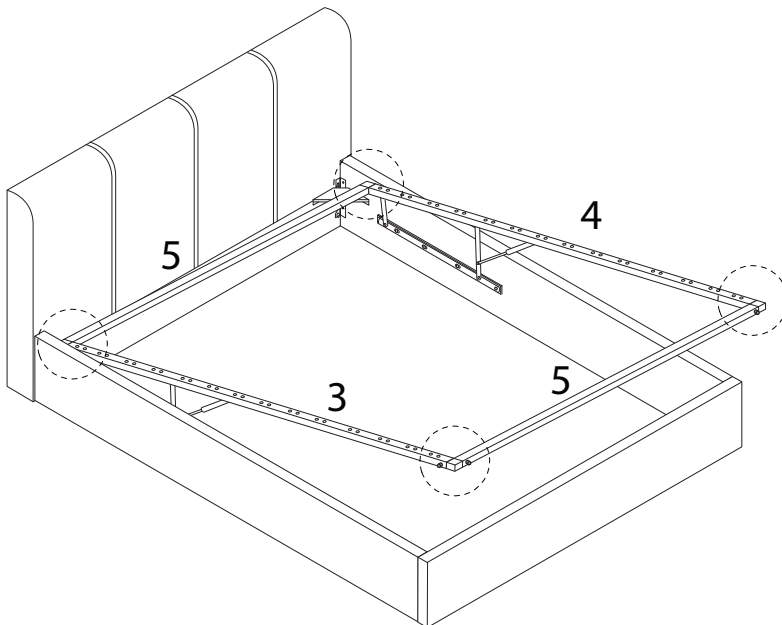


x 2

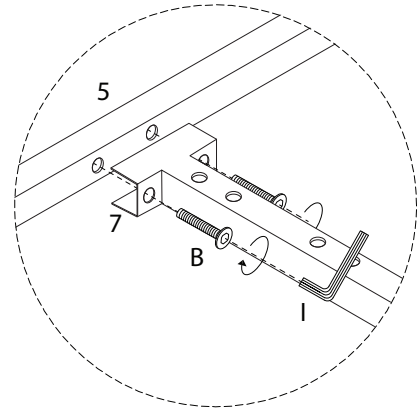
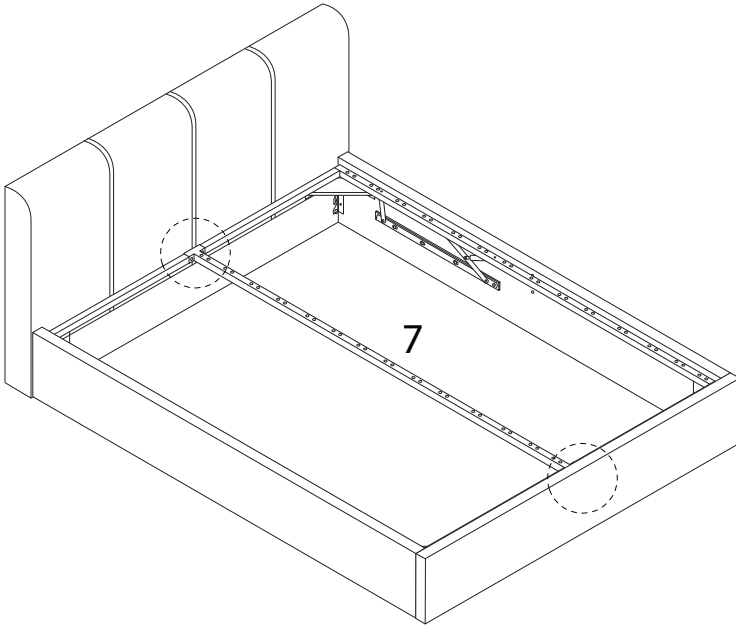
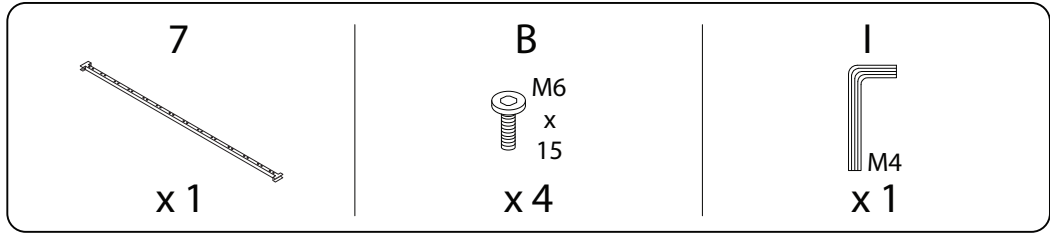
8



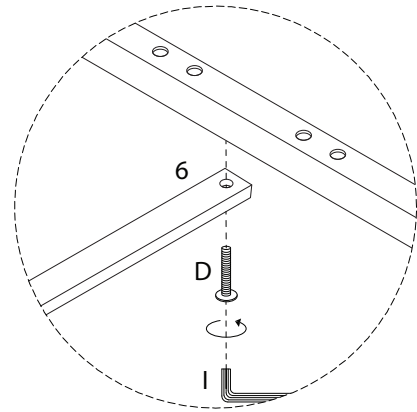
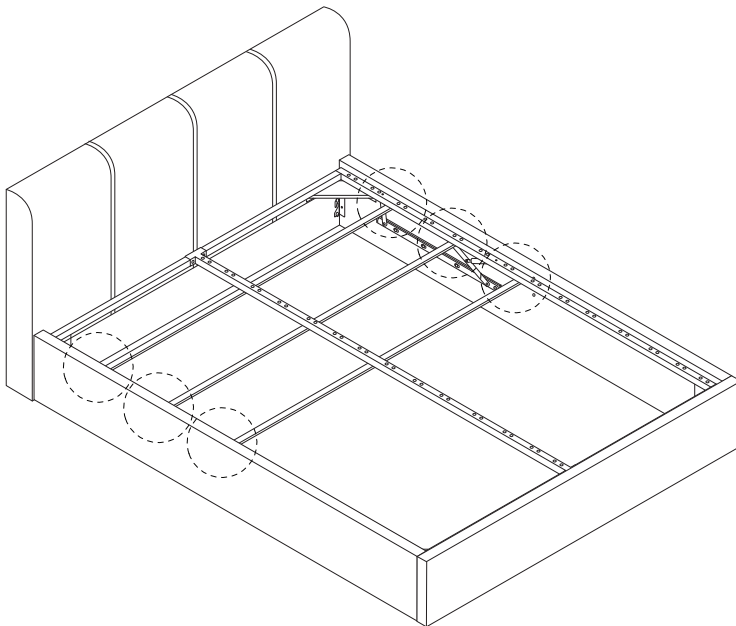
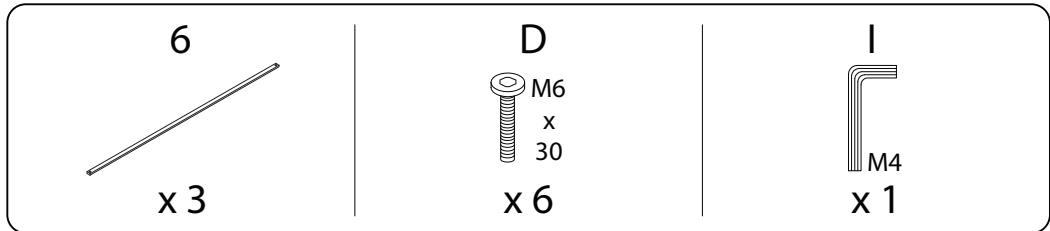
x 4



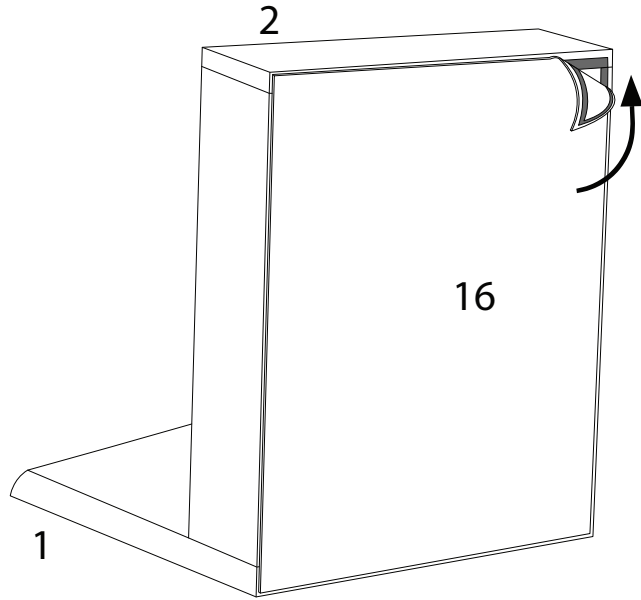
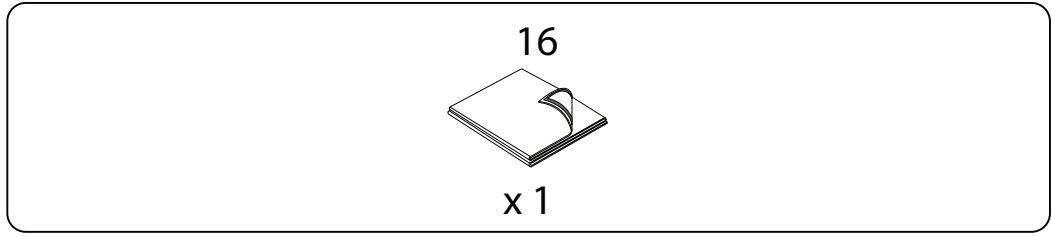
6



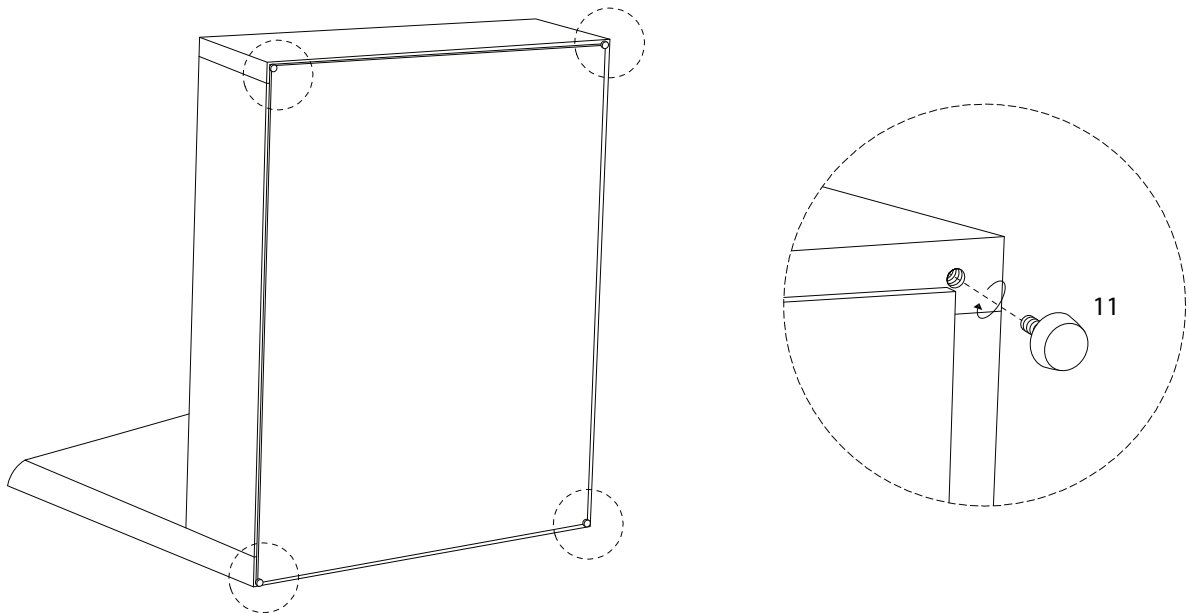
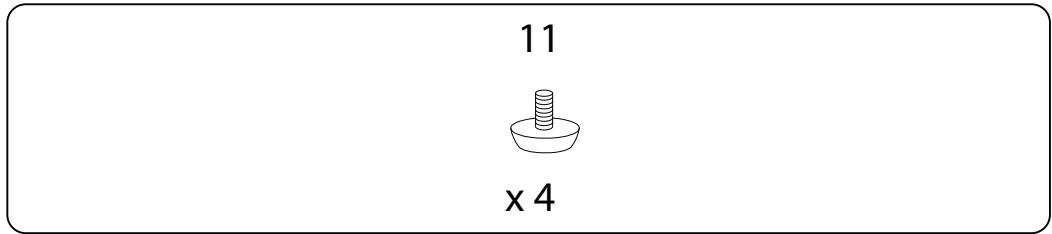
7



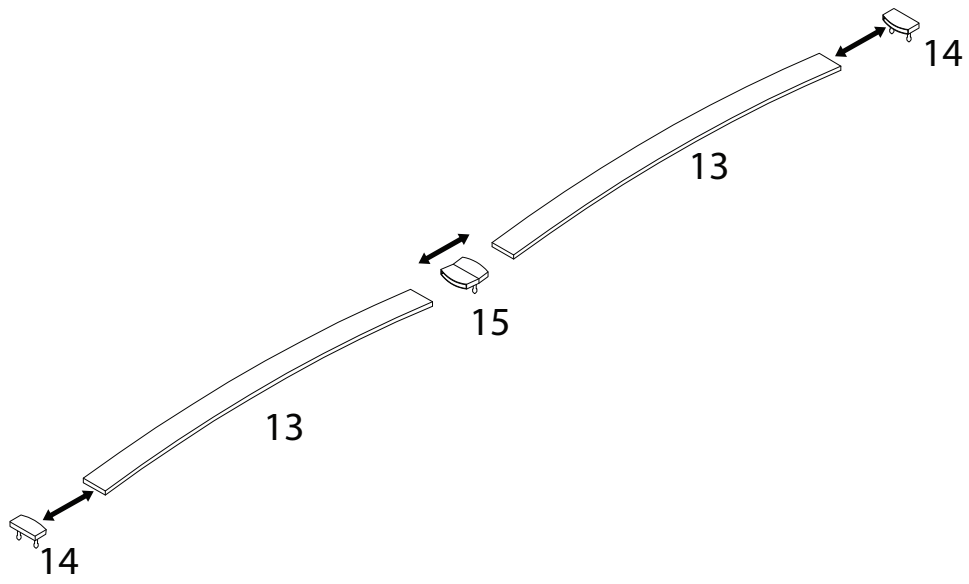
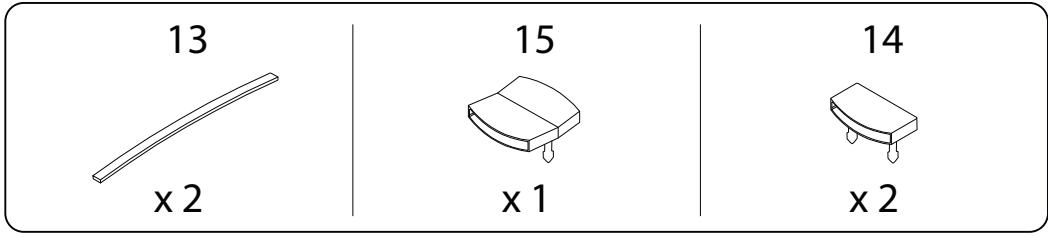
8



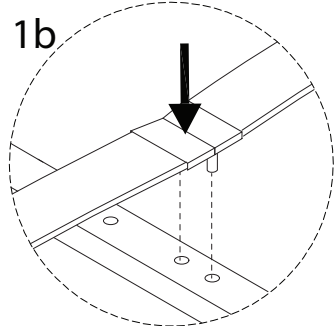
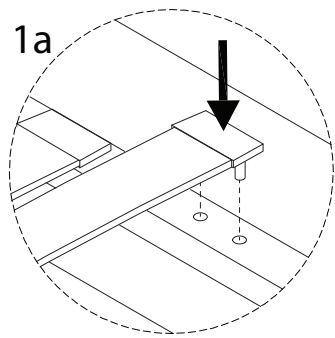
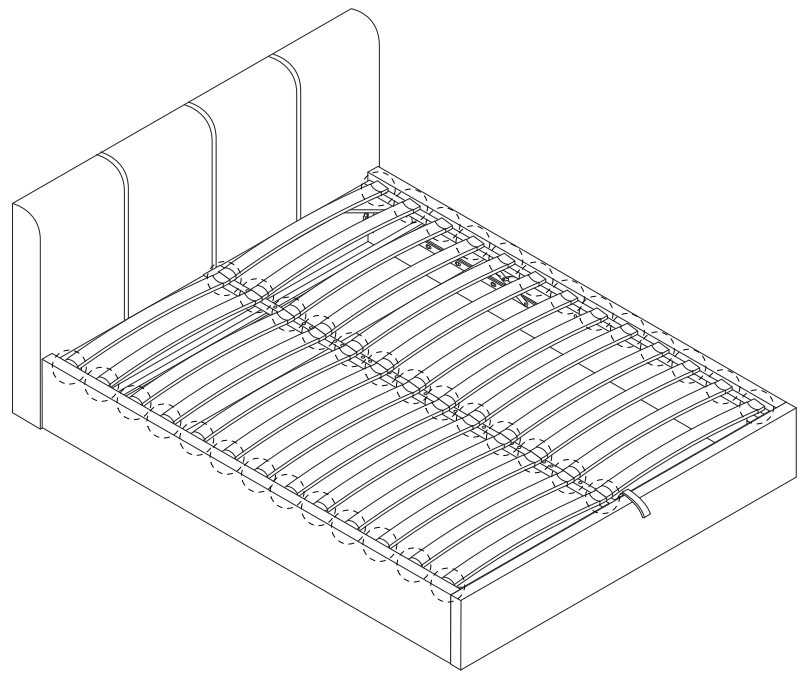
9



10 x 13



11



12

12



x 1

