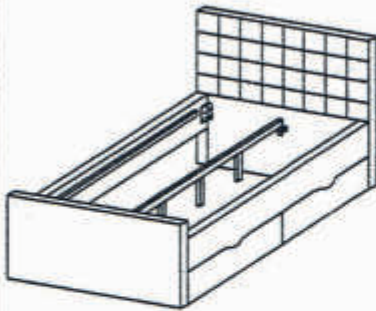


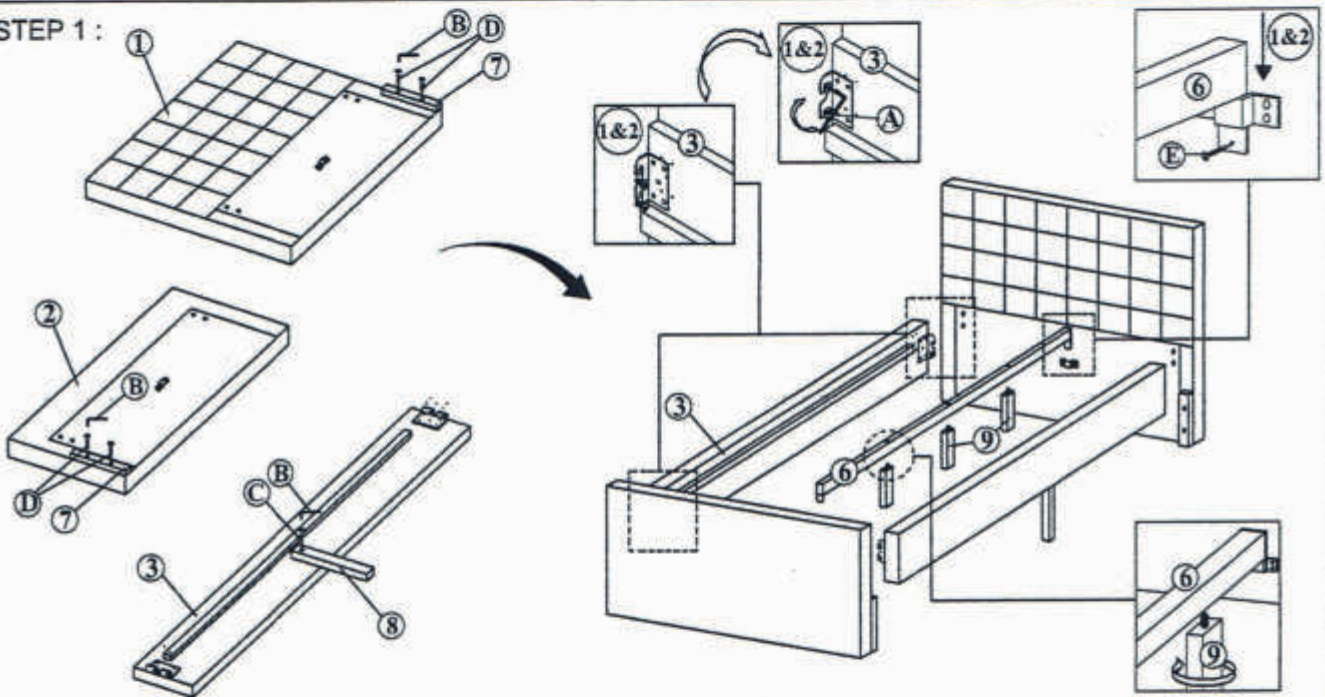
ASSEMBLY INSTRUCTIONS

MODEL : BD209-FS



COMPONENT							
Headboard - 1 pc 	Footboard - 1 pc 	Side Rail - 2 pcs 	Drawer Board - 2 pcs 	Drawer Box - 2 pcs 	Center Rail - 1 pc 	Drawer Block Leg - 2 pcs 	Drawer Block (Center) - 1 pc
Center Support Leg - 3 pcs 							
HARDWARE							
Allen Key M5 - 1 pc. 	Allen Key M4 - 1 pc. 	JCBC Bolt M6 x 30mm - 11 pcs. 	JCBC Bolt M6 x 35mm - 4 pcs. 	Wood Screw M4 x 20mm - 2 pcs. 	Wood Screw M3.5 x 16mm - 32 pcs. 	Castor Wheel - 8 pcs. 	

STEP 1 :



STEP 2 : The drawer and side rail can be assemble for both side which is left or right.

