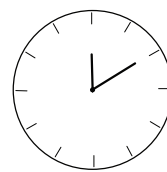
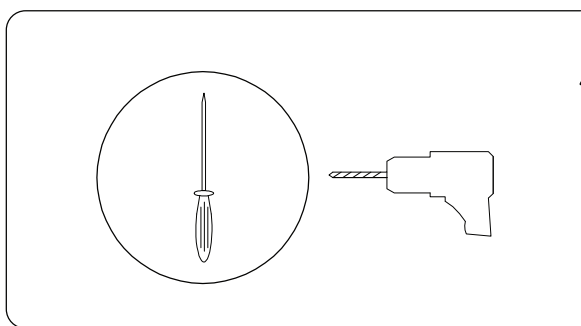
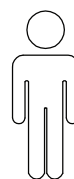
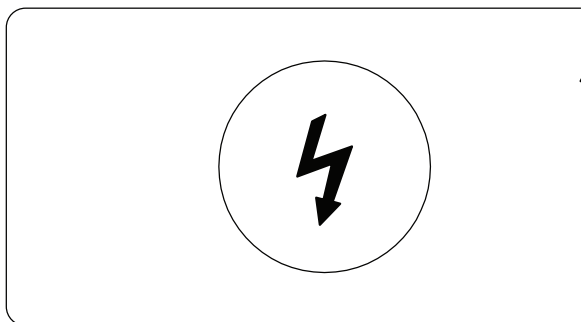


SAISI



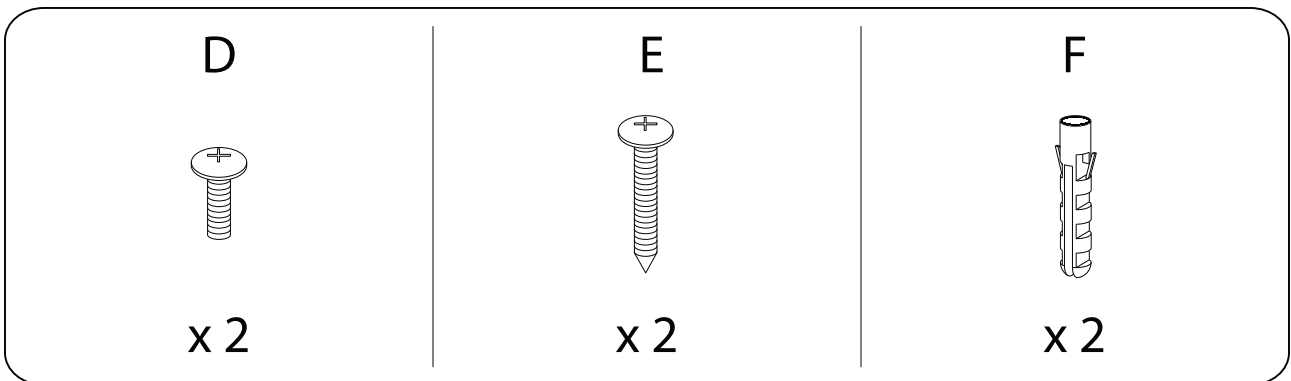
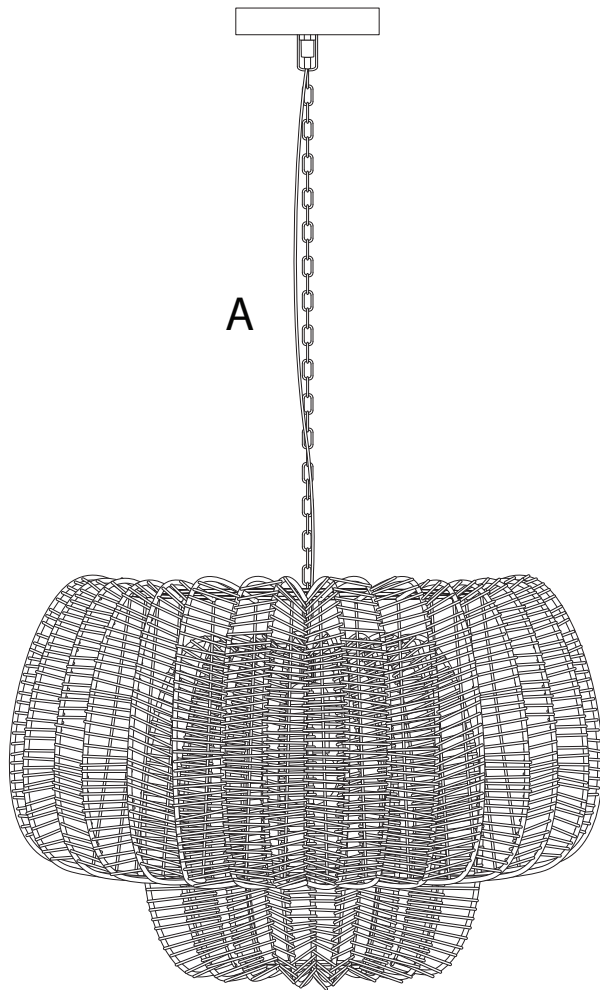
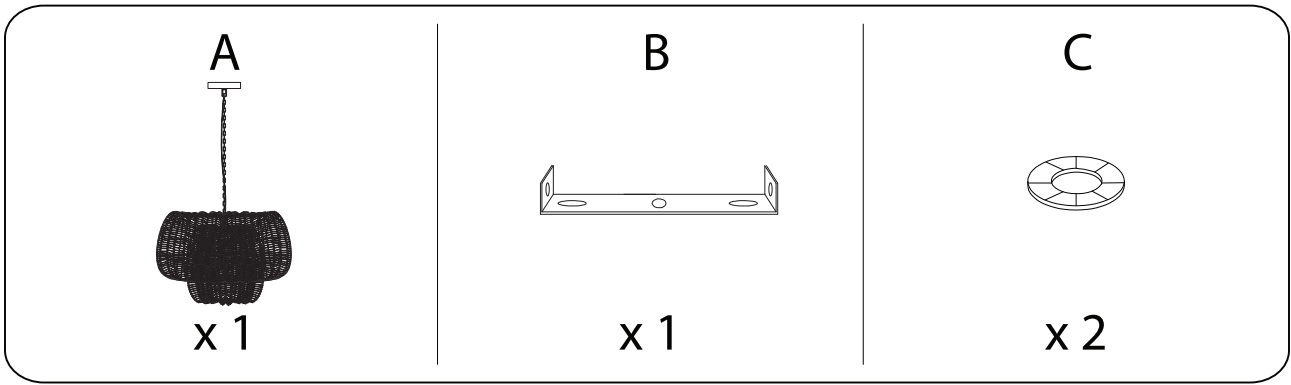


10'



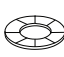

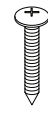



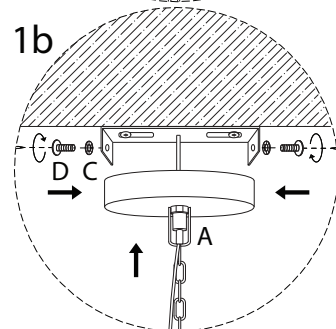
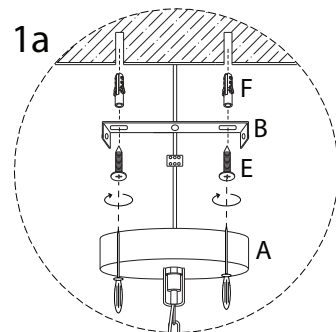
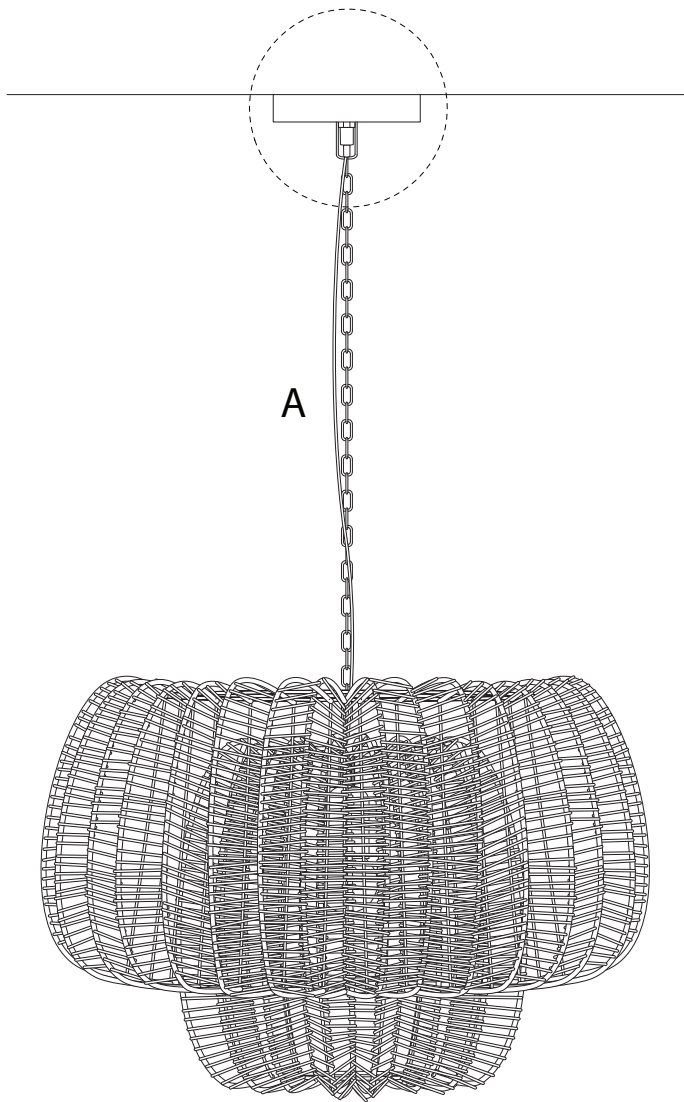
1

1/4



1

 A x 1	 B x 1	 C x 2	 D x 2	 E x 2	 F x 2
---	---	---	---	---	---



2

