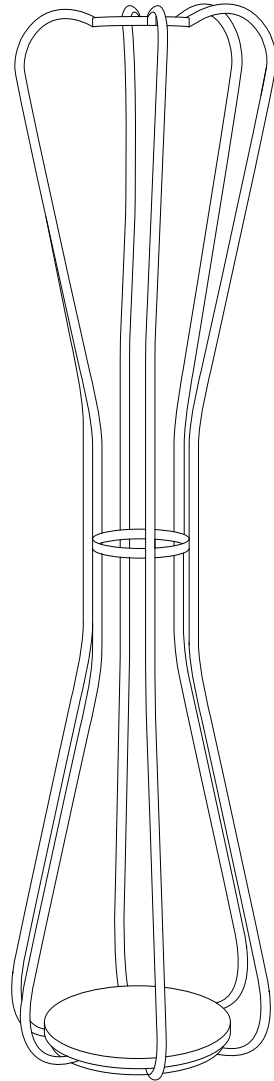
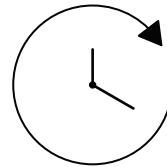
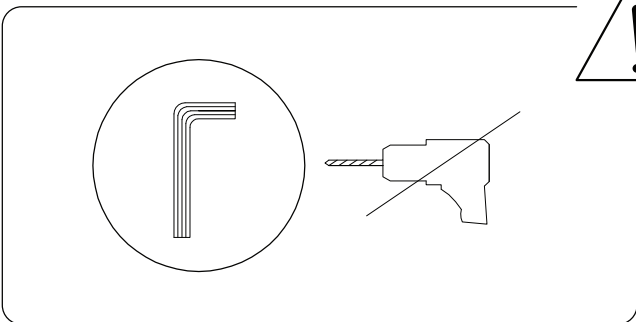
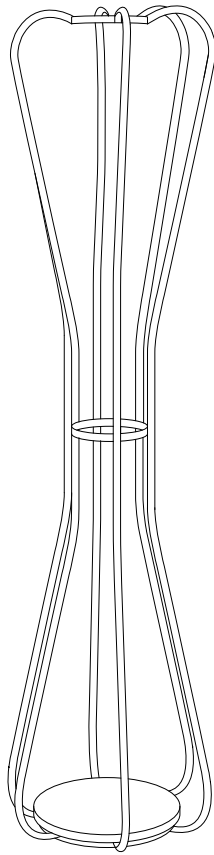
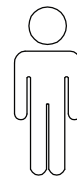
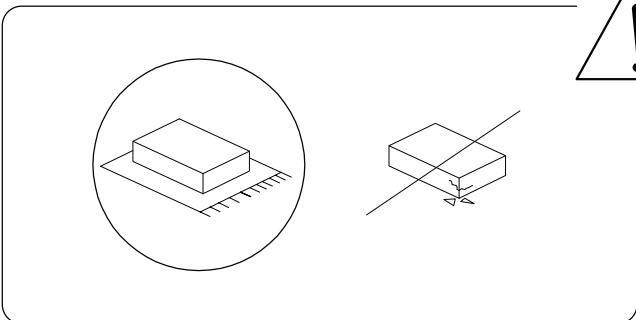


# ORDWAY










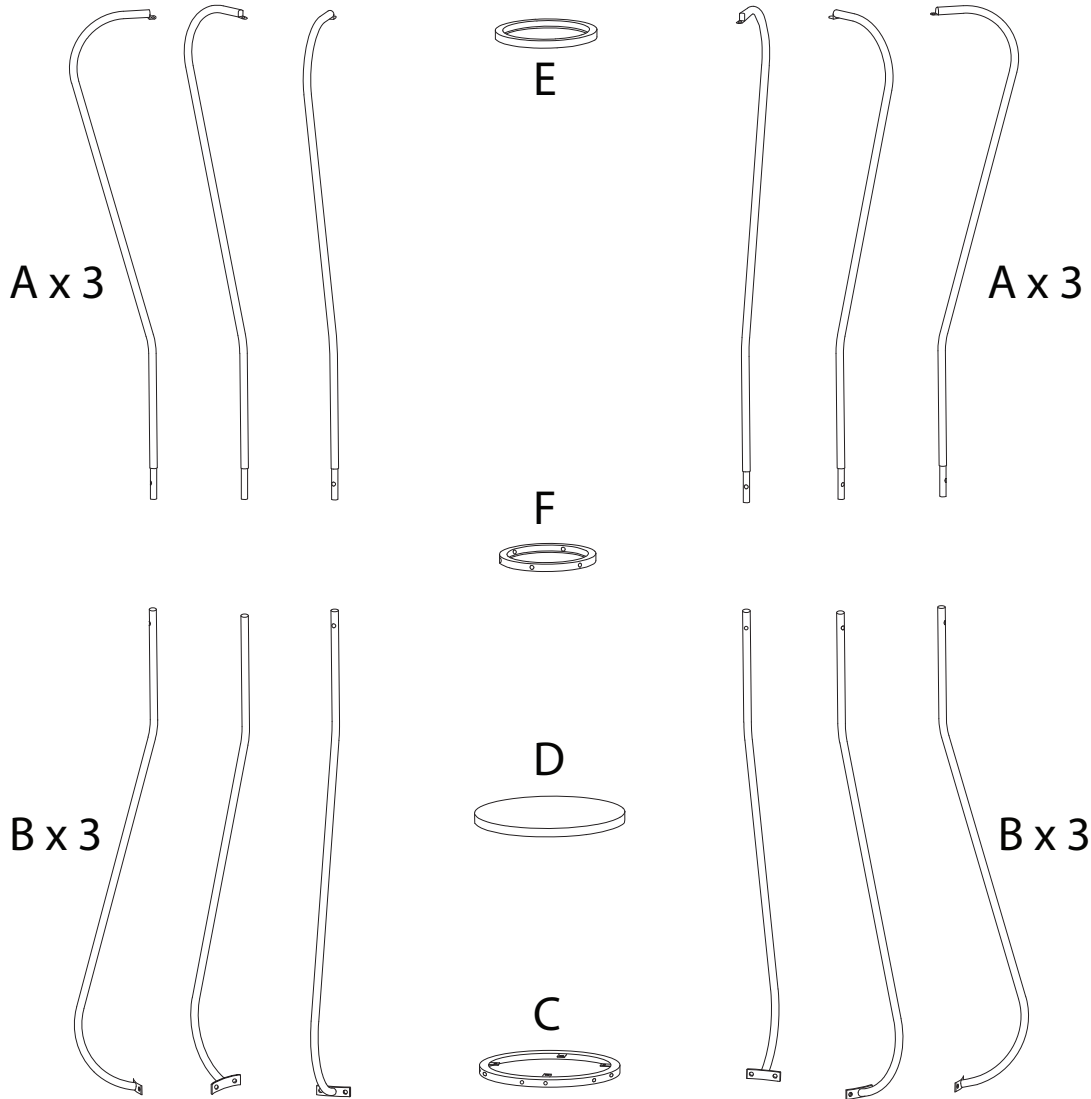
15'


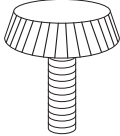
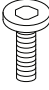
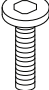
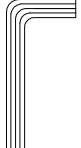


2

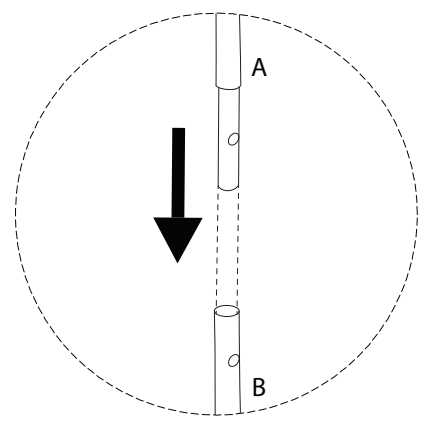
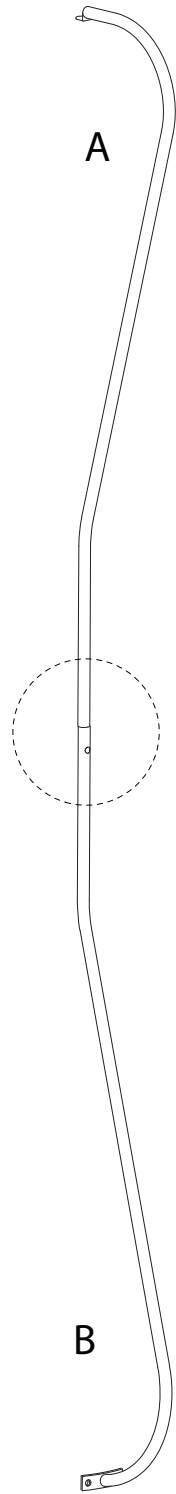
1/6

<b>A</b>  <b>x 6</b>	<b>B</b>  <b>x 6</b>	<b>C</b>  <b>x 1</b>	<b>D</b>  <b>x 1</b>	<b>E</b>  <b>x 1</b>
---	---	---	--	---

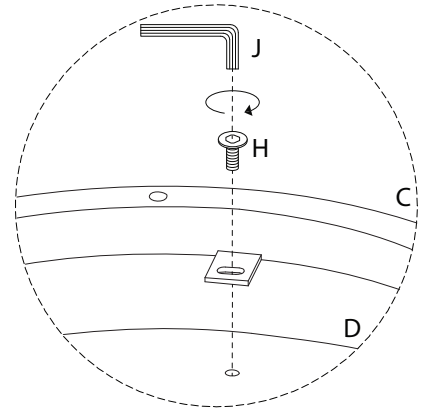
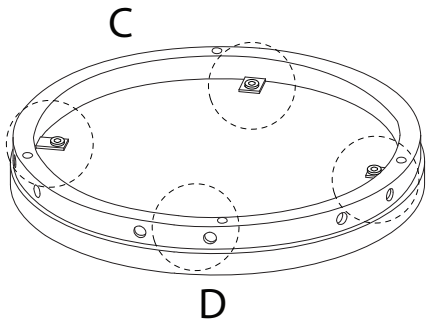
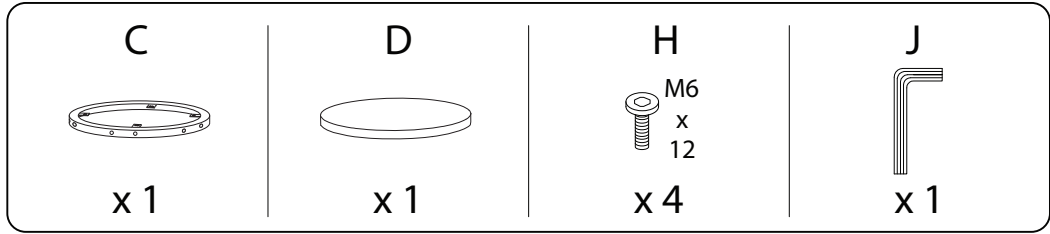


<b>F</b>  <b>x 1</b>	<b>G</b>  <b>x 4</b>	<b>H</b>  M6 x 12 <b>x 22</b>	<b>I</b>  M6 x 22 <b>x 6</b>	<b>J</b>  <b>x 1</b>
---	---	---	--	---

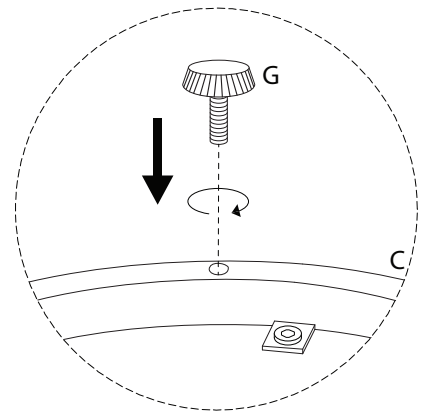
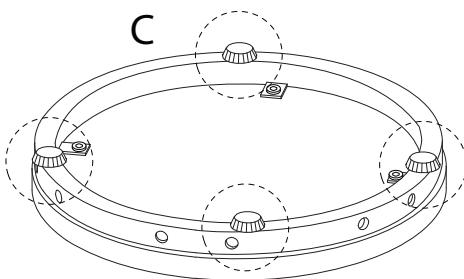
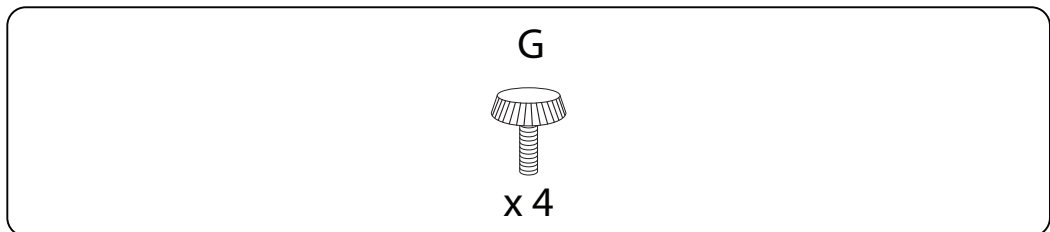
1 x 6






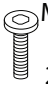

2

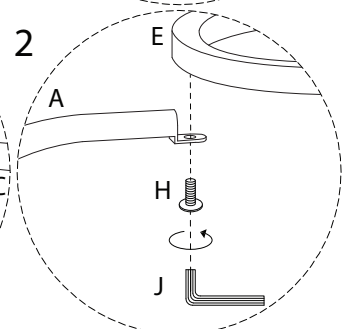
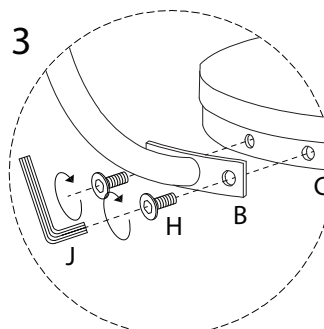
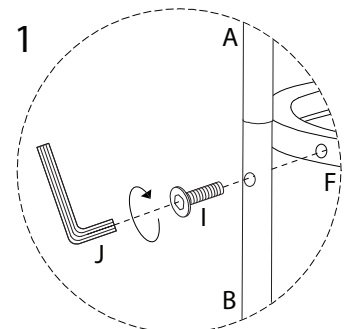
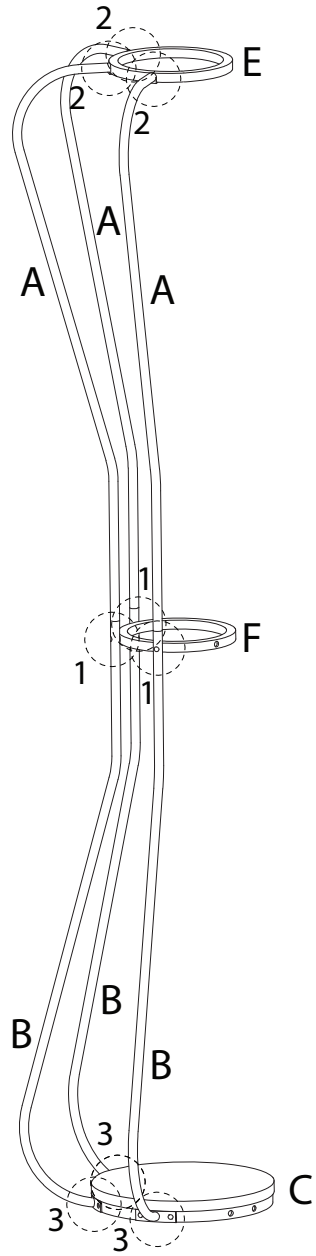


3



4

<b>E</b>  x 1	<b>F</b>  x 1	<b>H</b>  M6 x 12 x 6	<b>I</b>  M6 x 22 x 3	<b>J</b>  x 1
--	--	---	---	--



5

H  
M6  
x  
12  
x 6

I  
M6  
x  
22  
x 3

J  
x 1

