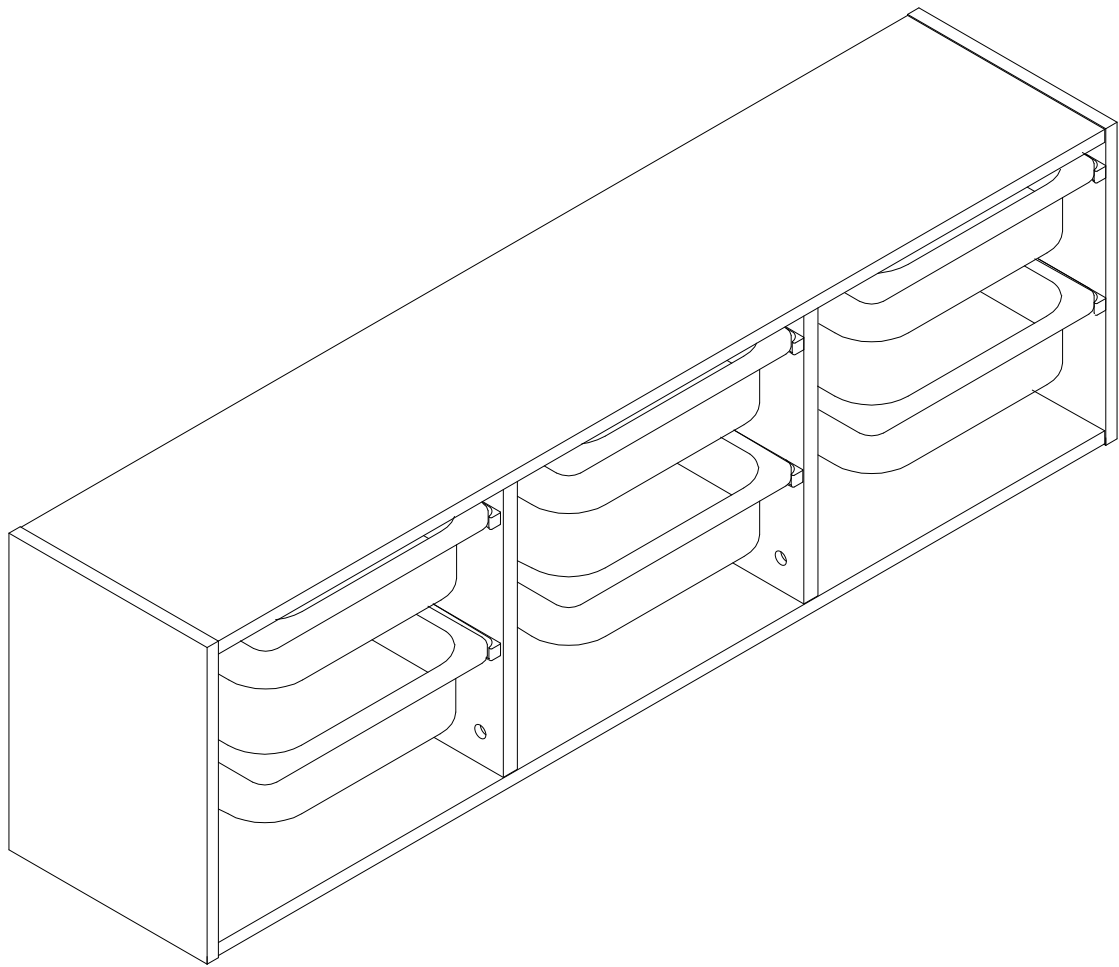
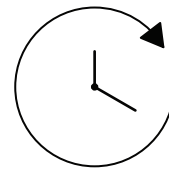
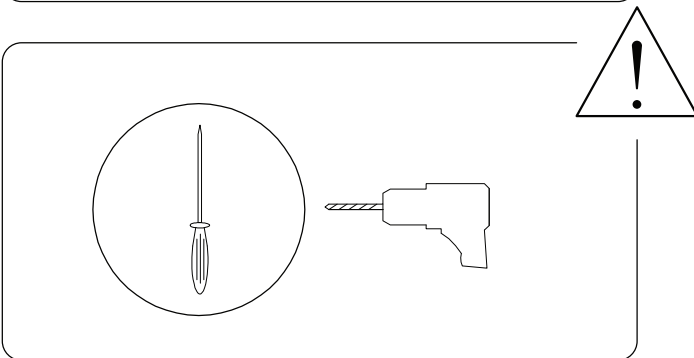
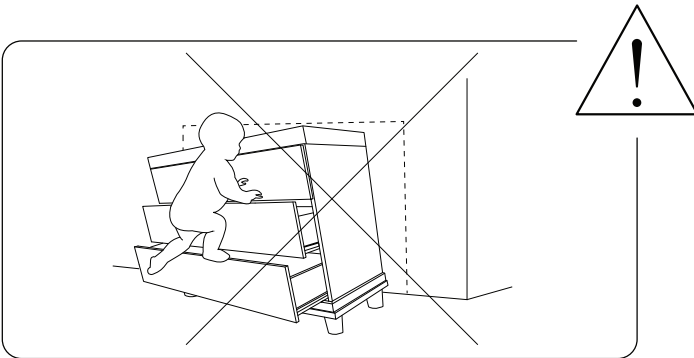
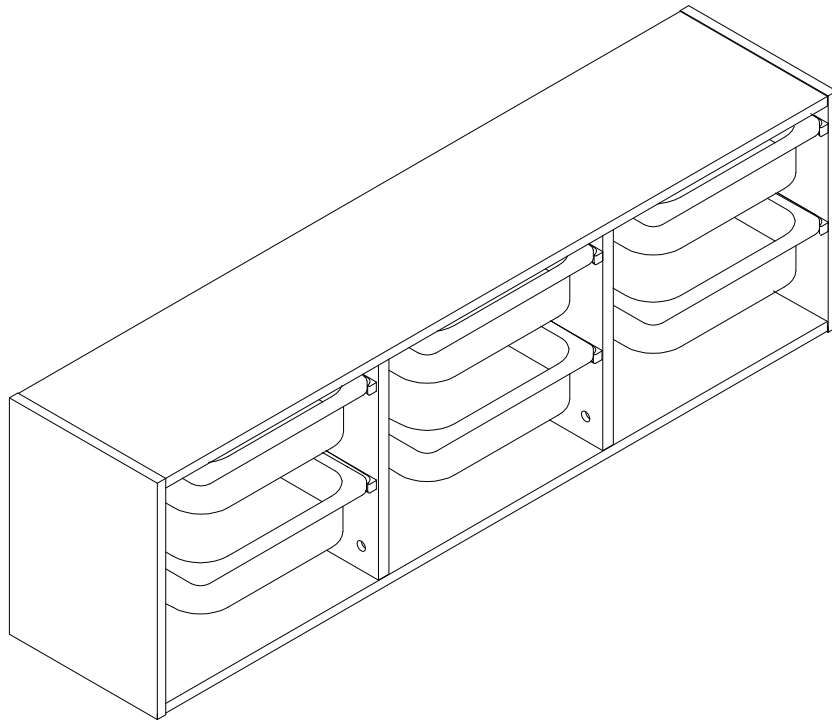
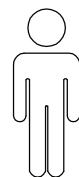
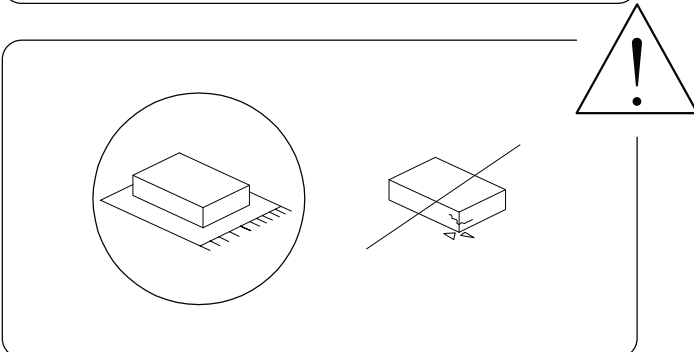


TOBIN

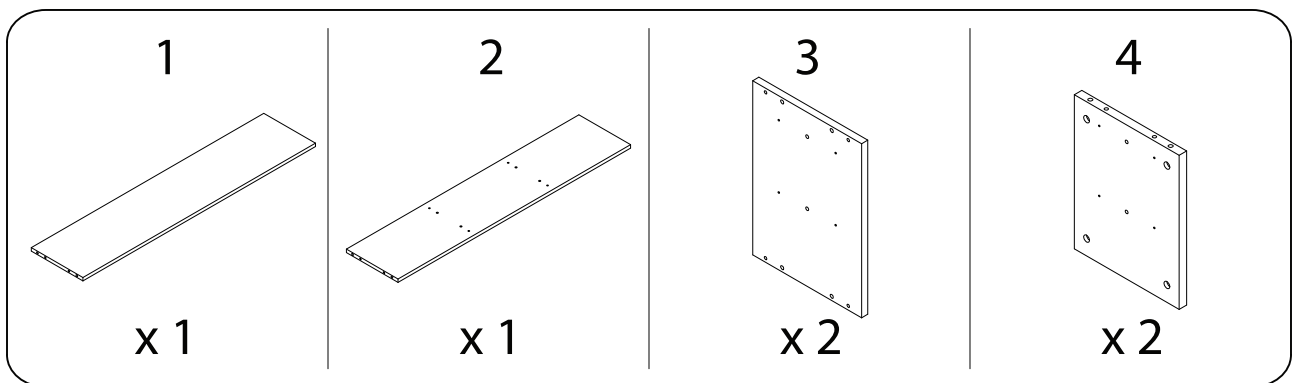
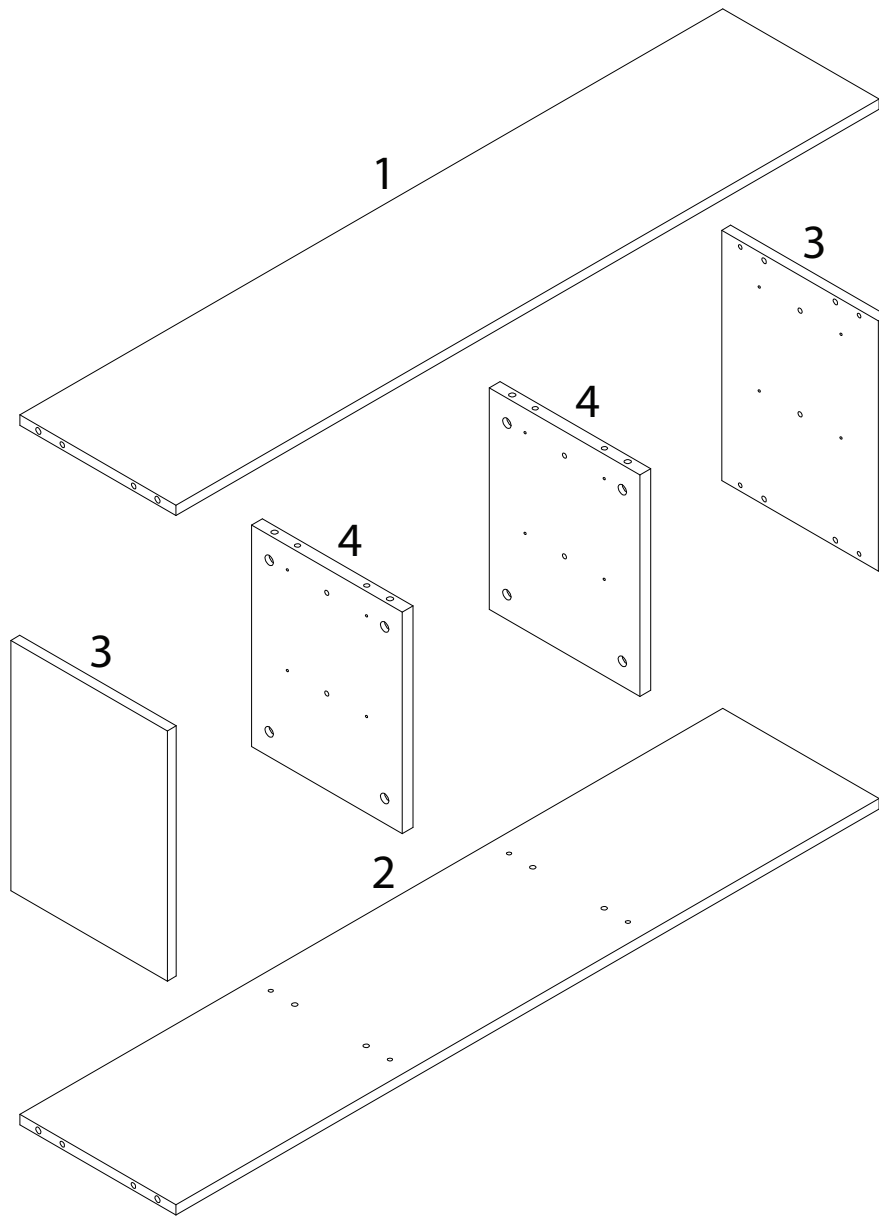




30'



1

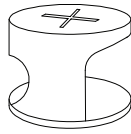


A



x 16

B



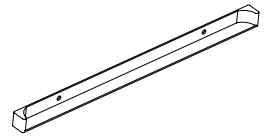
x 16

C



x 16

D



x 12

E



M4
x
10

x 24

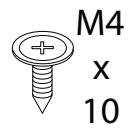
F



M4
x
30

x 3

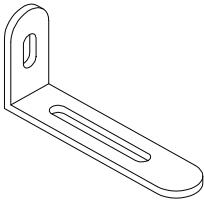
G



M4
x
10

x 3

H



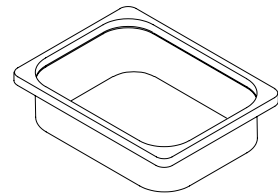
x 3

I



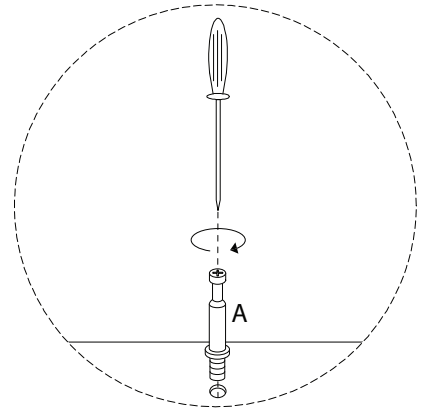
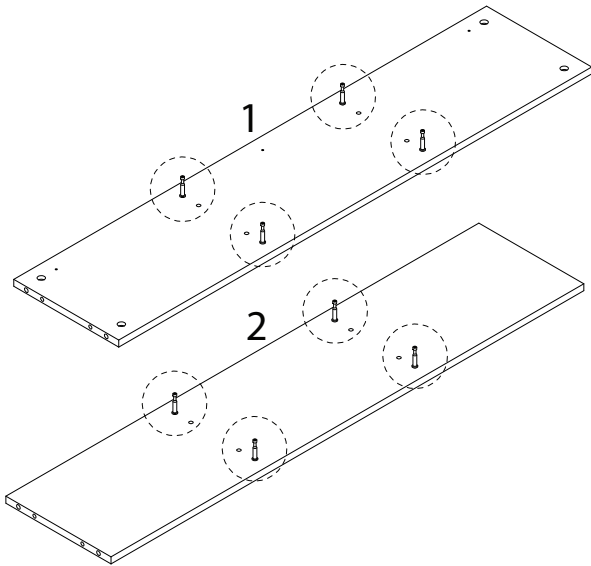
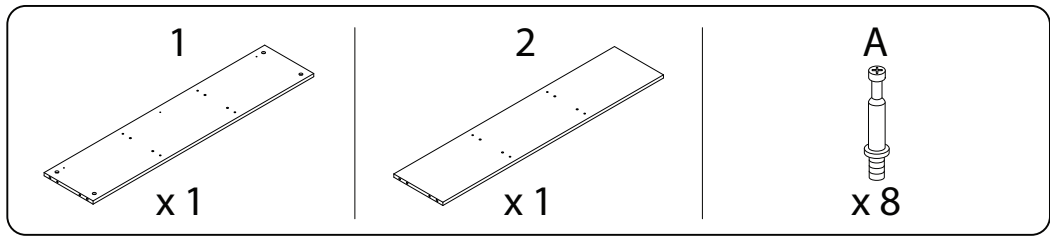
x 3

J

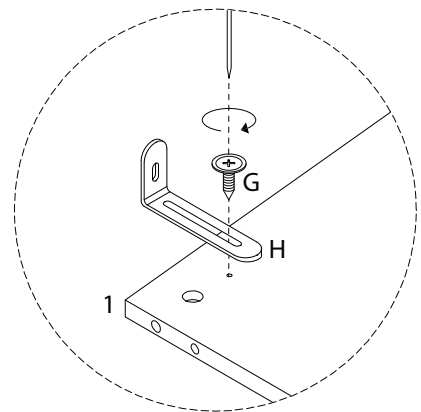
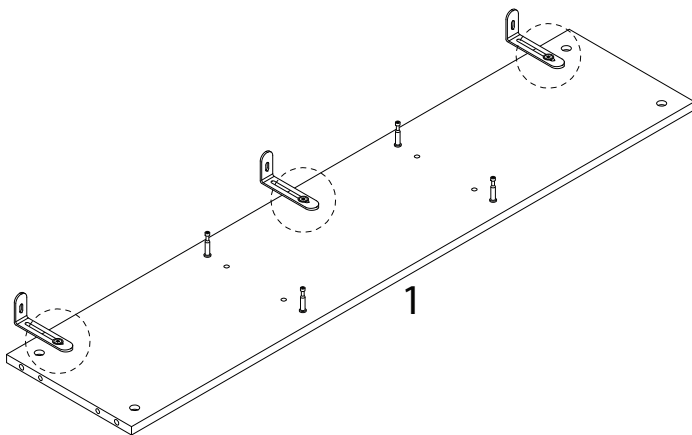
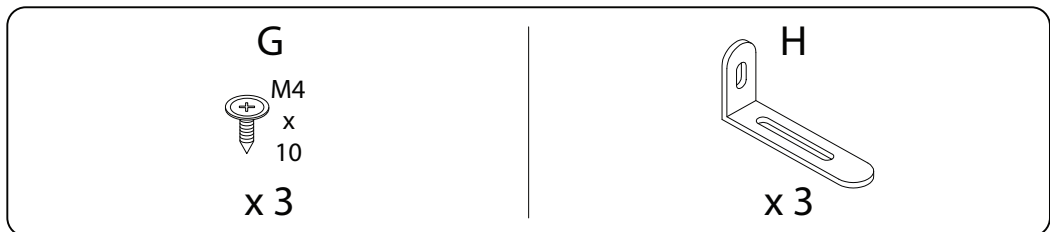


x 6

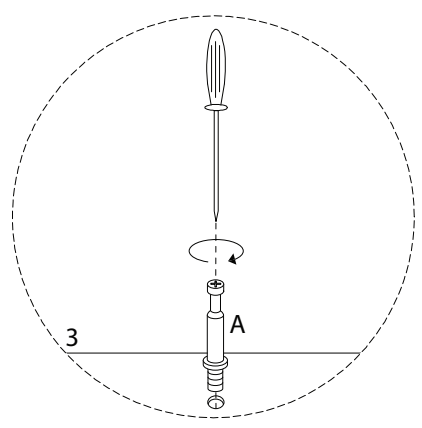
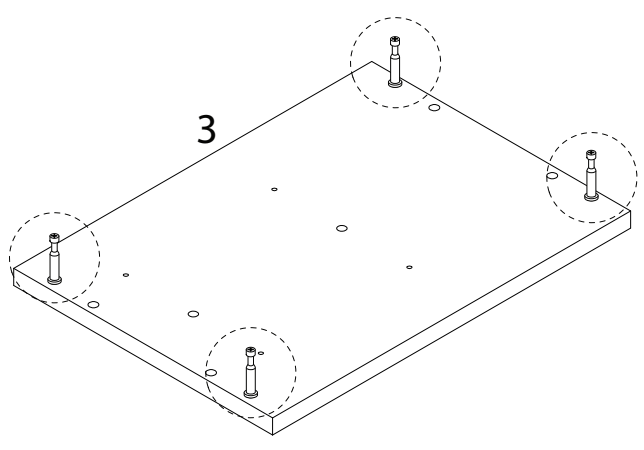
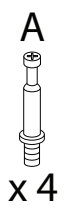
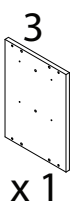
1



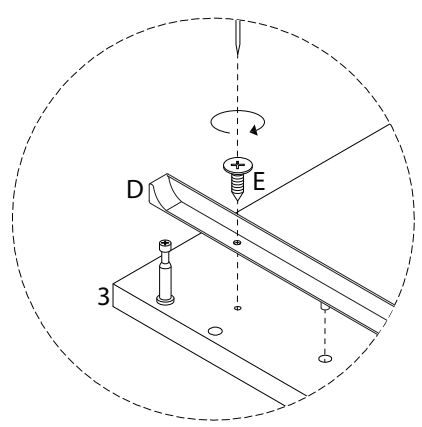
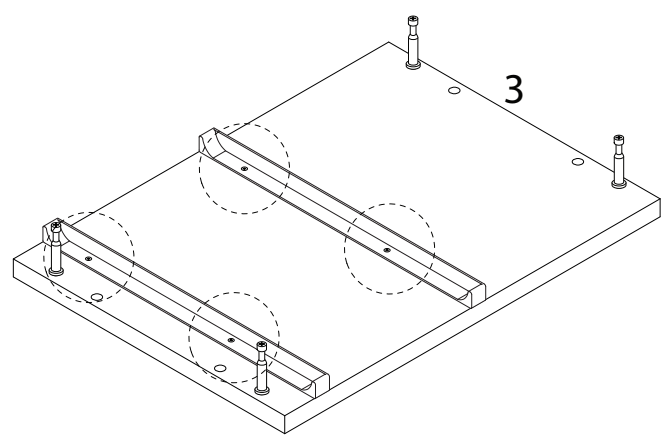
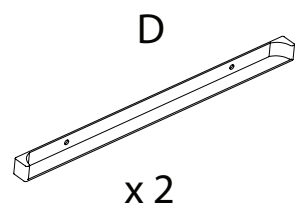
2



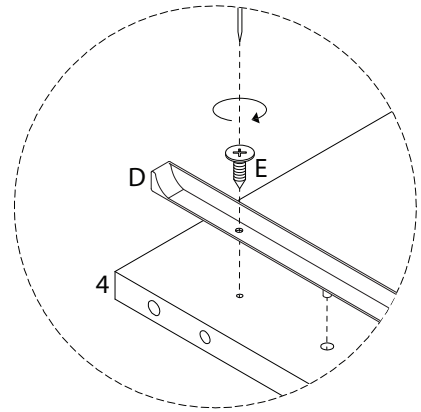
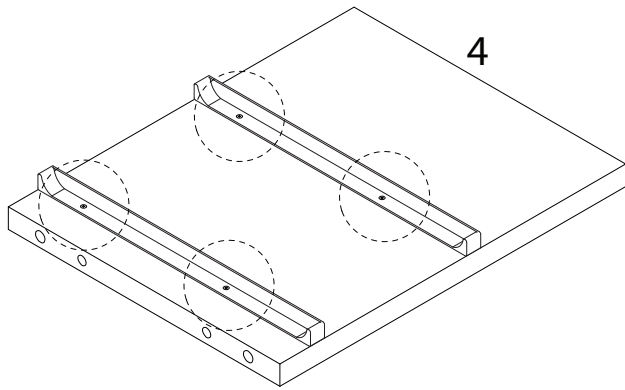
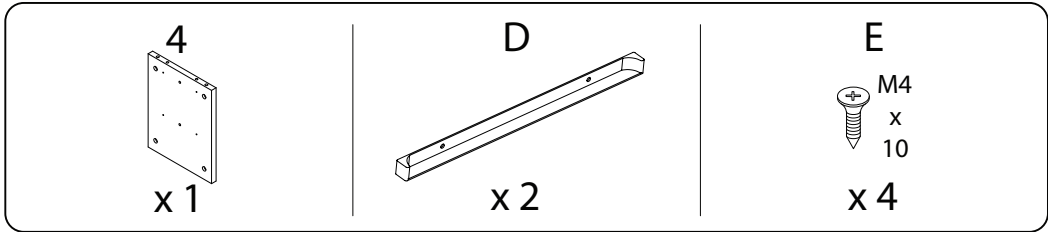
3 x 2



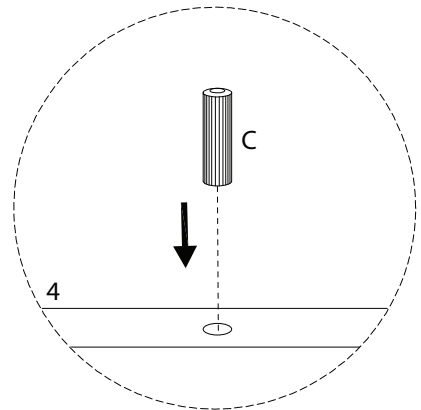
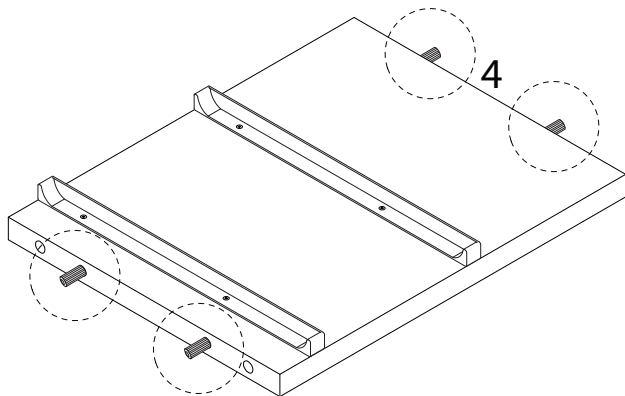
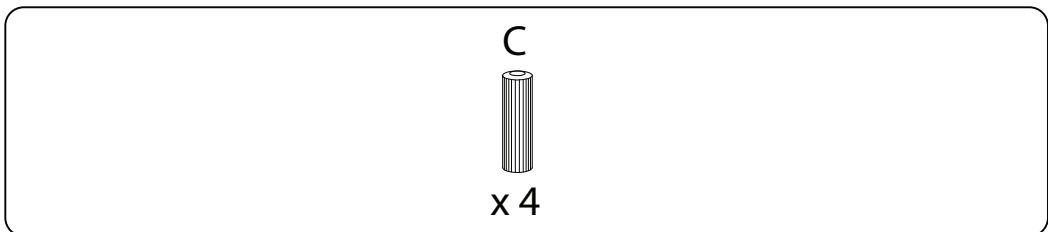
4 x 2



5 x 2



6 x 2

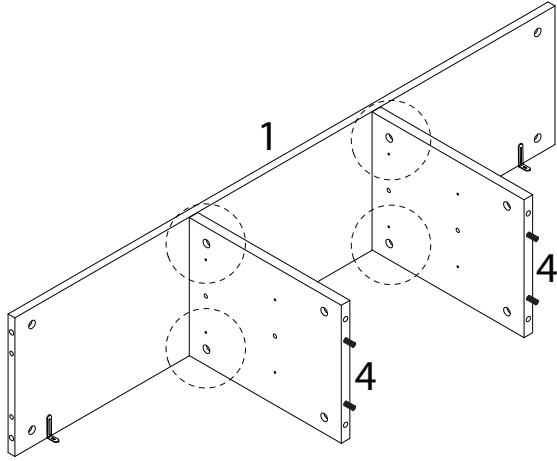


7

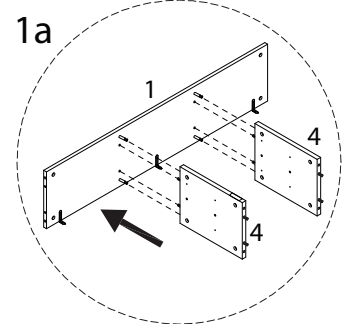
B



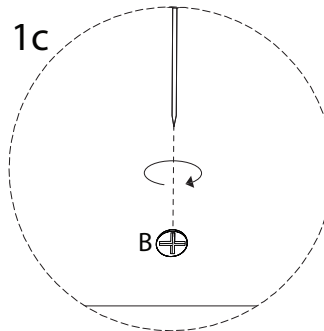
x 4



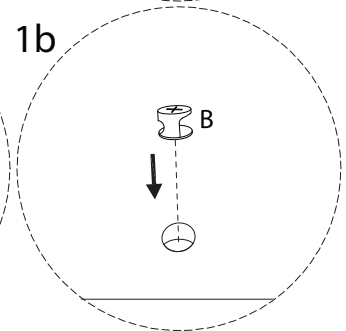
1a



1c



1b



8

D

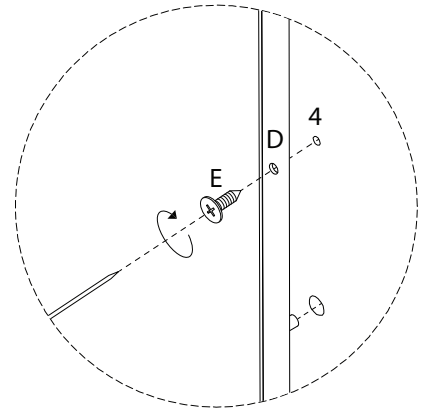
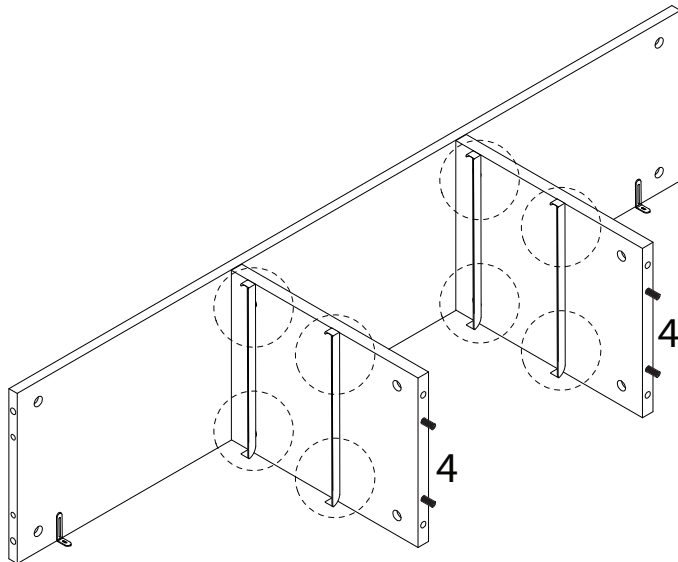


x 4

E



x 8

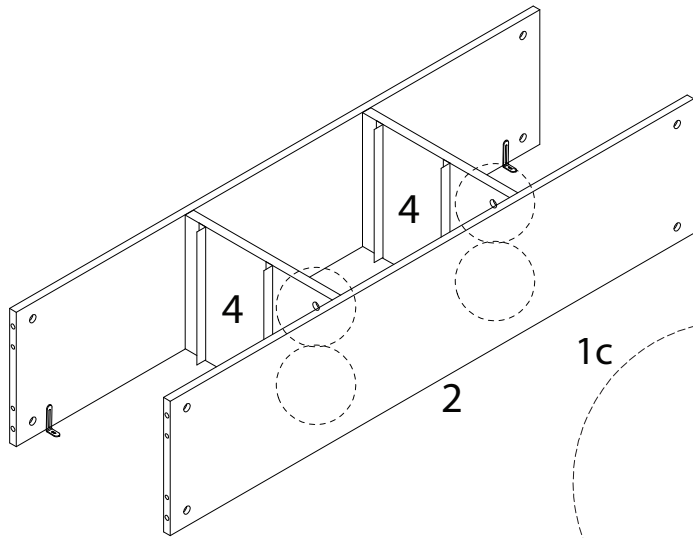


9

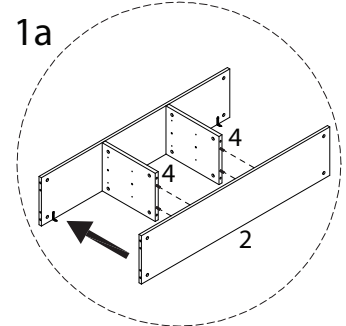
B



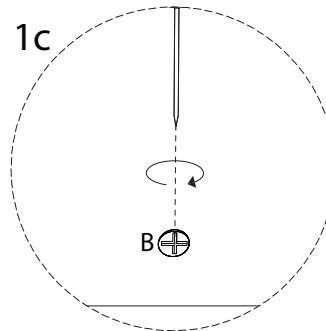
x 4



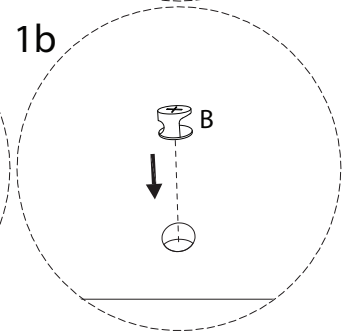
1a



1c



1b

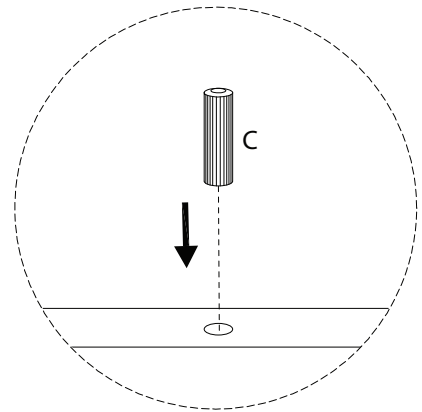
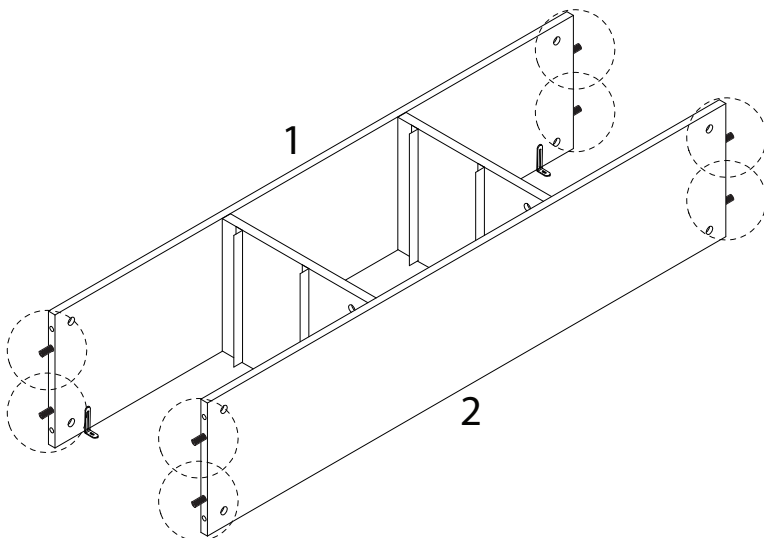


10

C



x 8

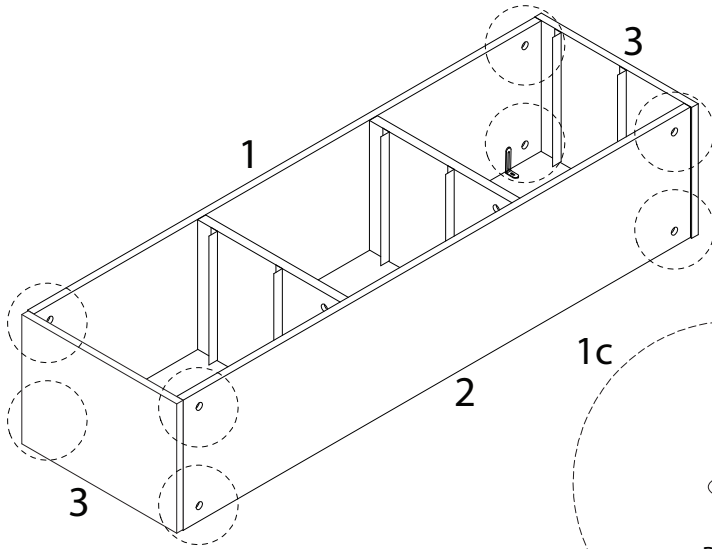


11

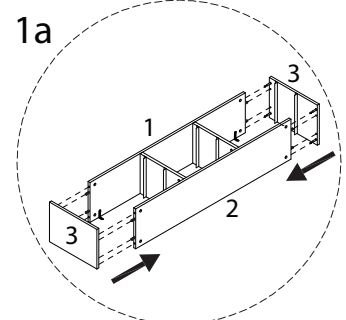
B



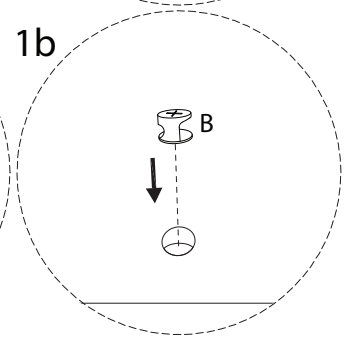
x 8



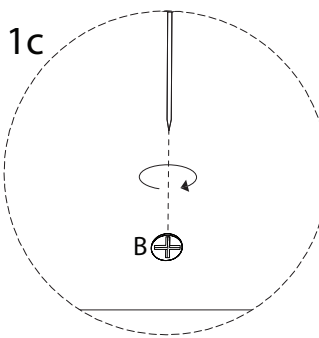
1a



1b



1c



12

I

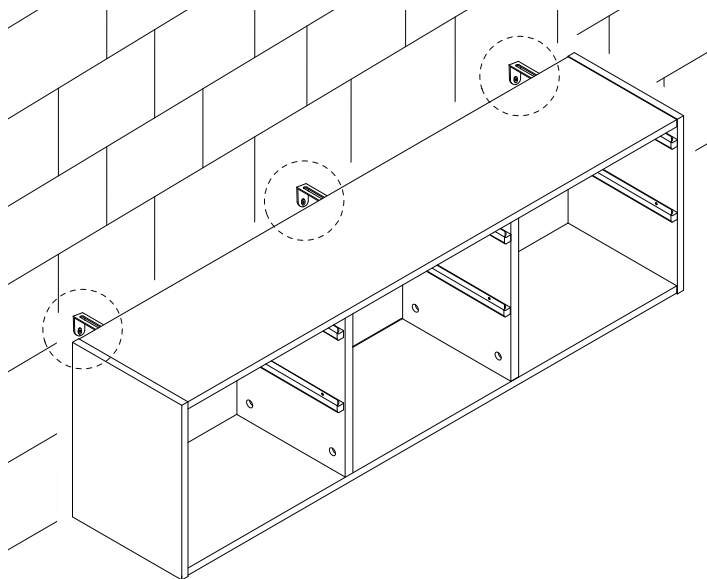


x 3

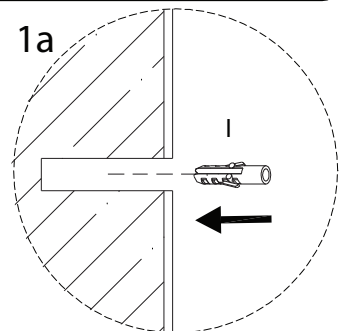
F



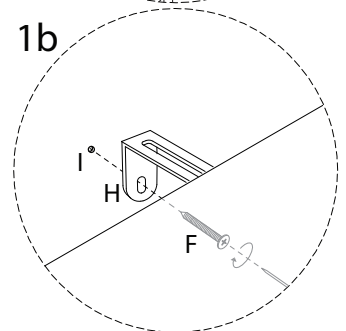
x 3



1a



1b



13

