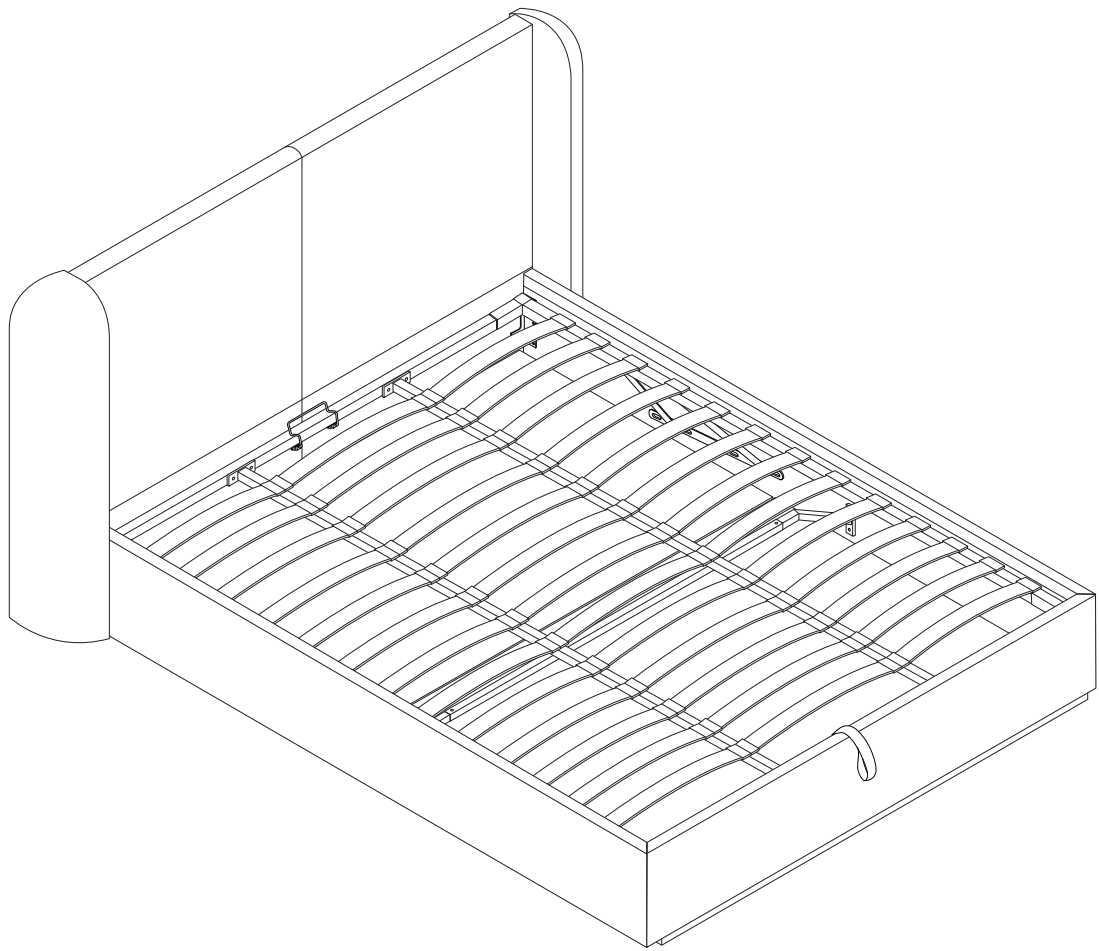
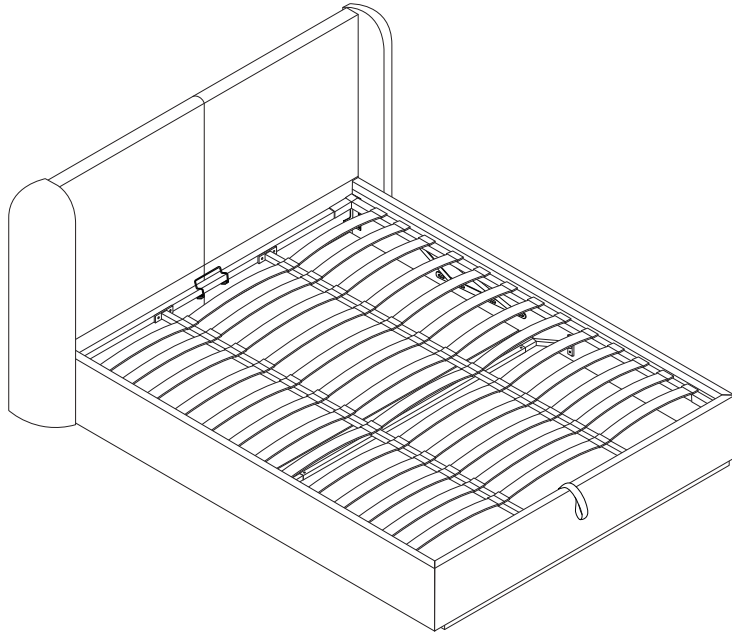
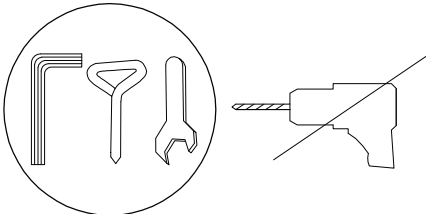

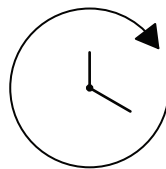
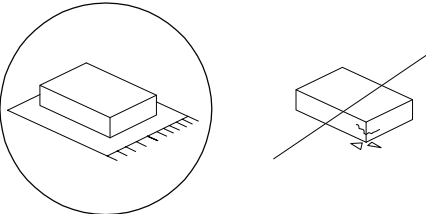

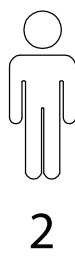
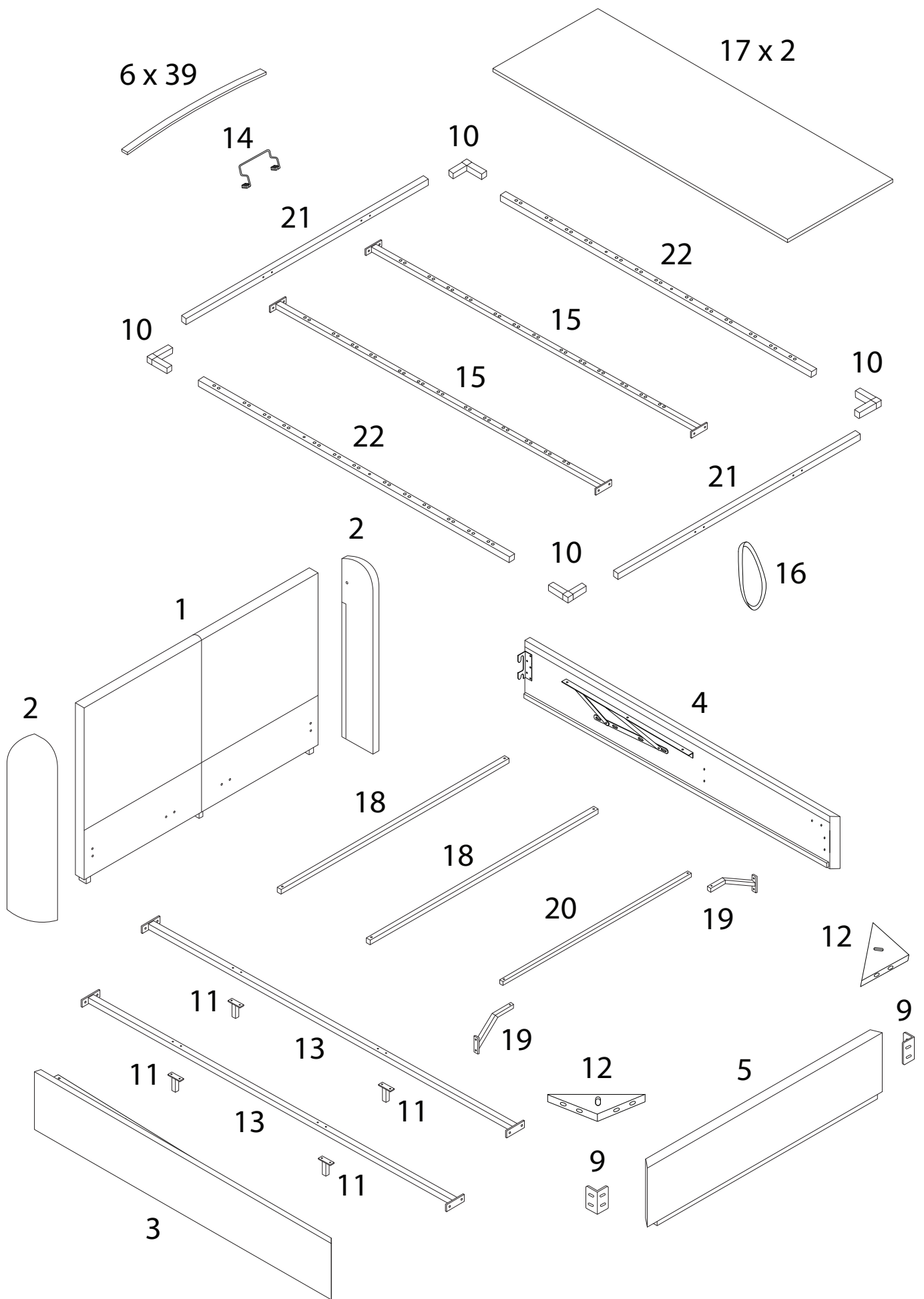


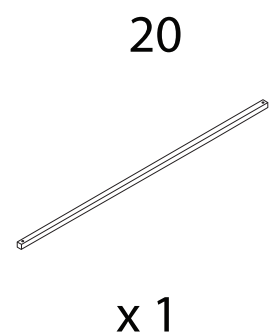
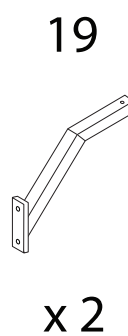
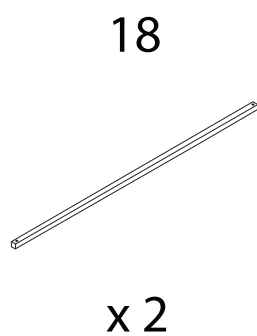
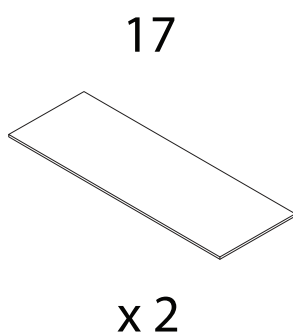
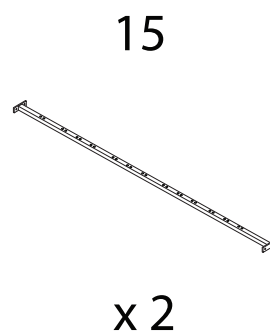
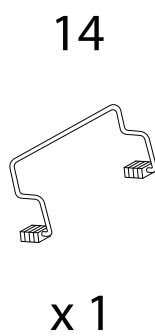
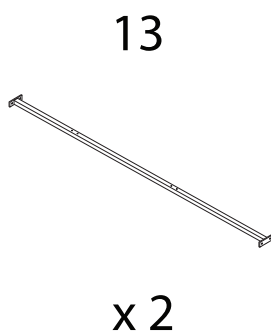
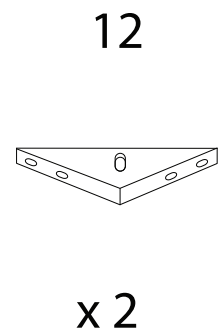
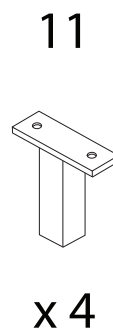
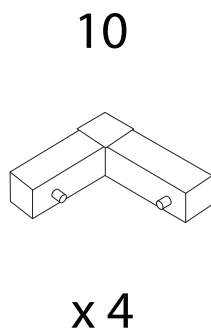
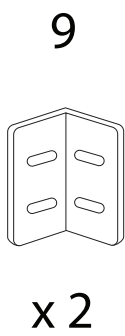
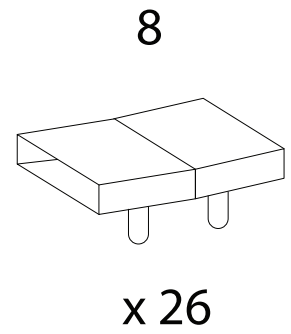
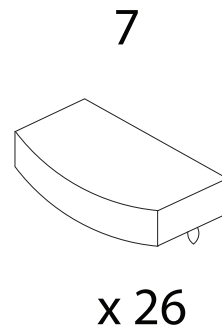
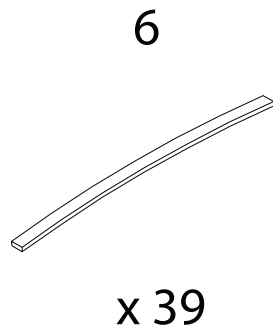
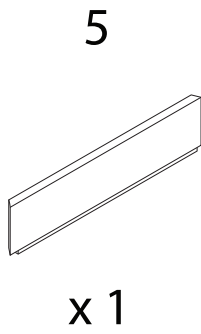
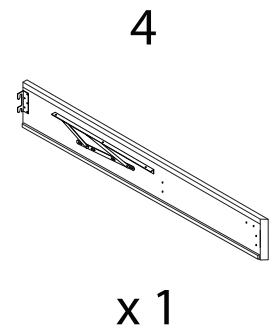
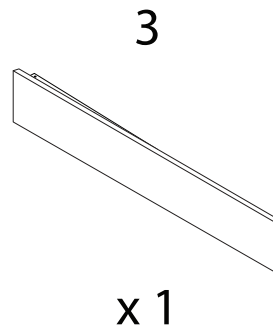
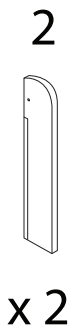
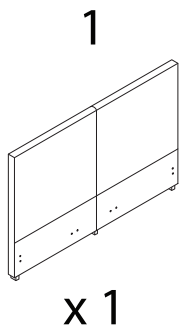
MONESTIER



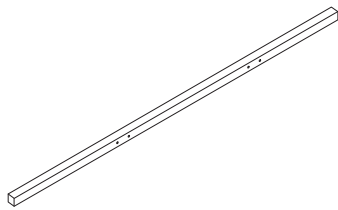




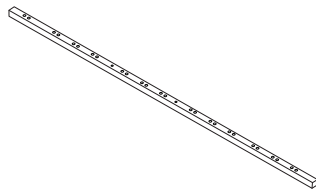


21



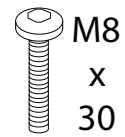
x 2

22



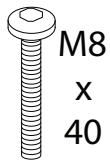
x 2

A



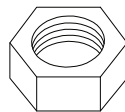
x 32

B



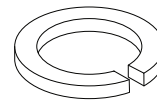
x 18

C



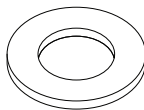
x 22

D



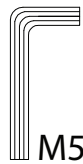
x 4

E



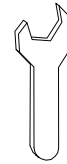
x 10

F



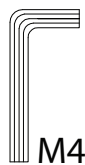
x 1

G



x 1

H



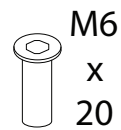
x 2

I₁



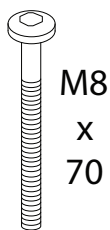
x 2

I₂



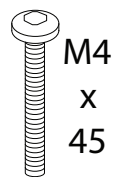
x 2

J



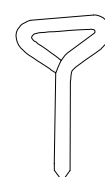
x 4

K



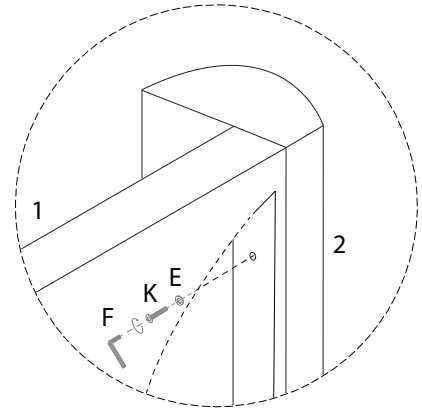
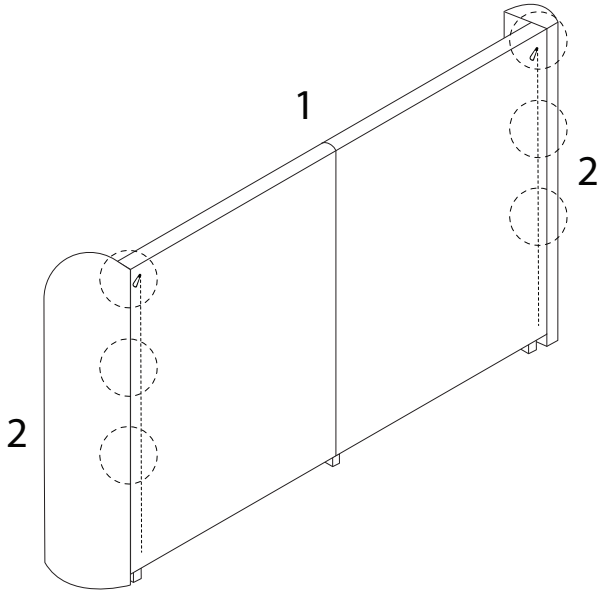
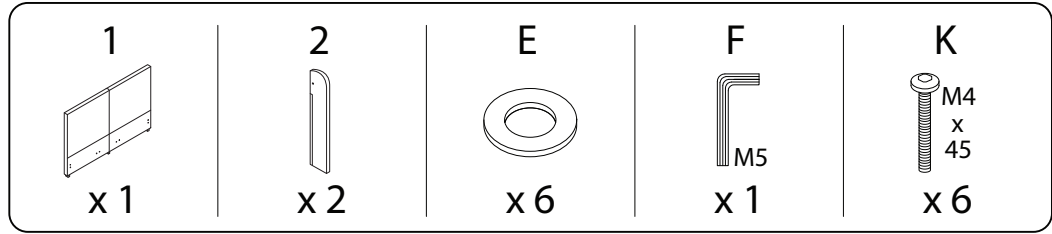
x 6

L

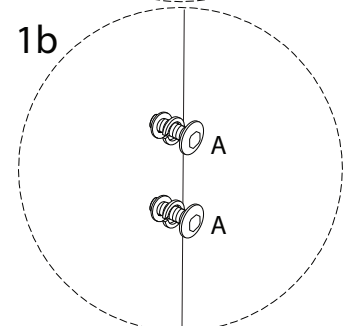
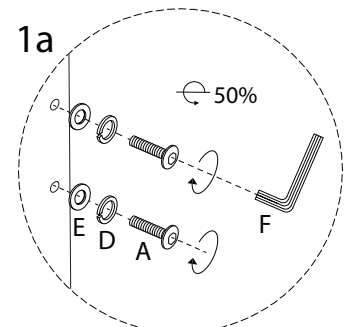
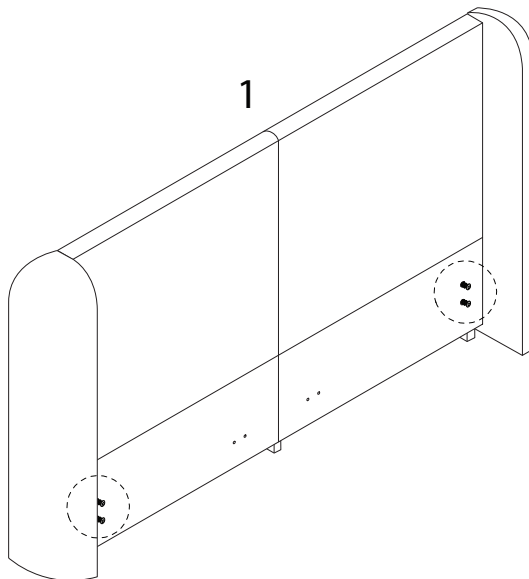
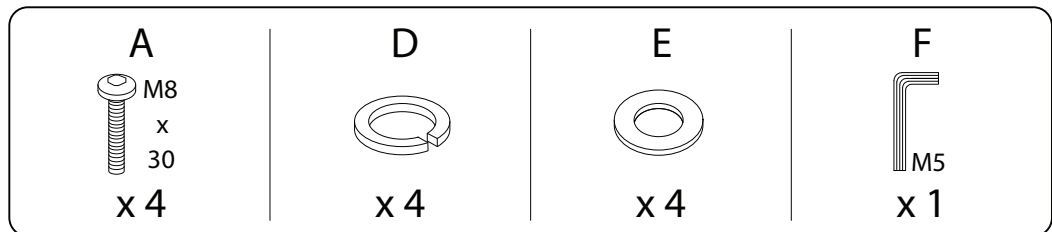


x 1

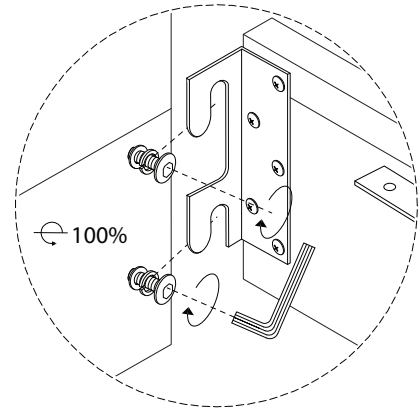
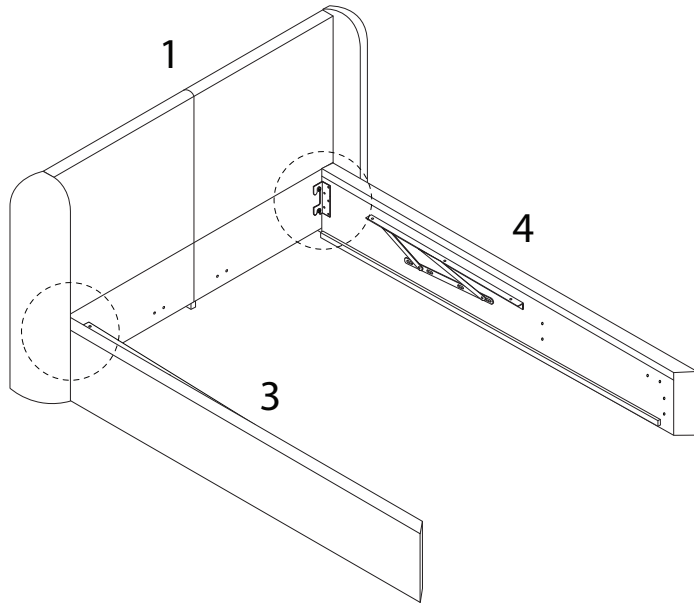
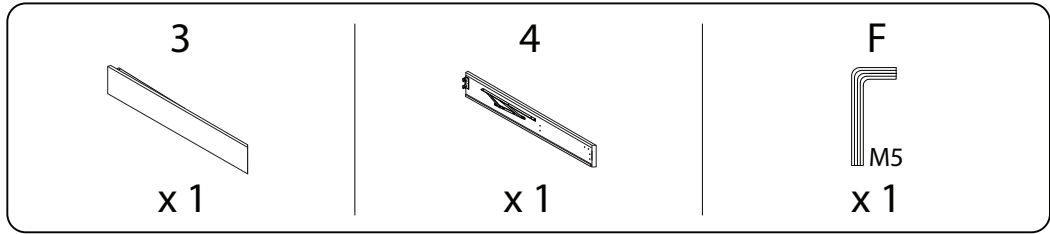
1



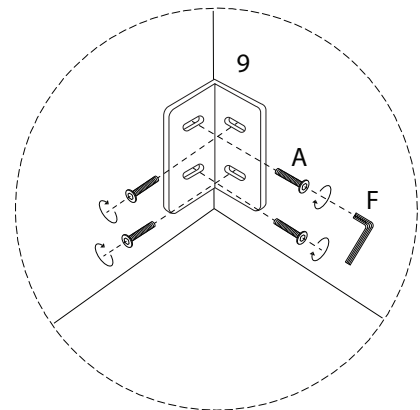
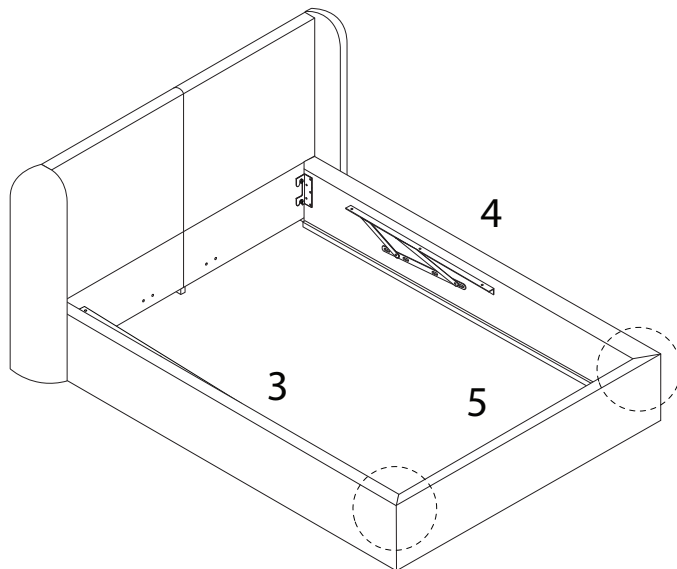
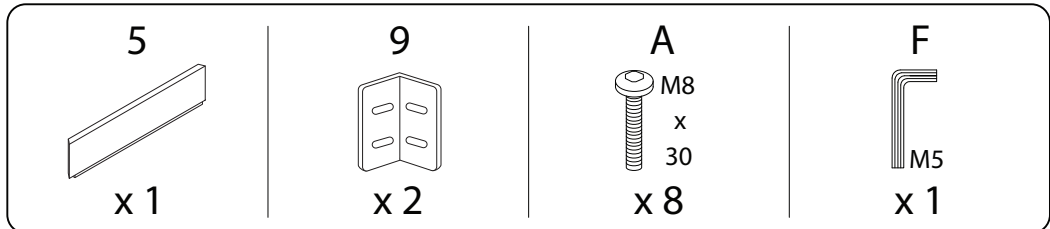
2



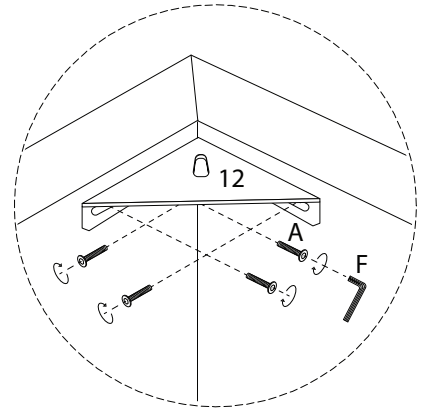
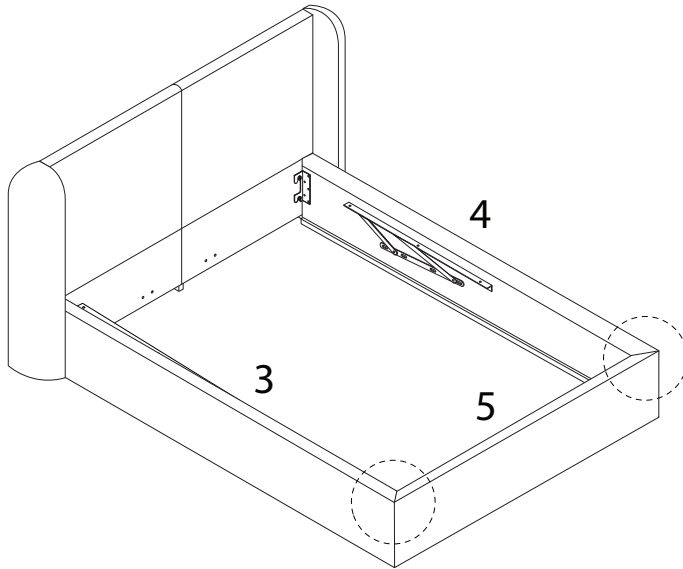
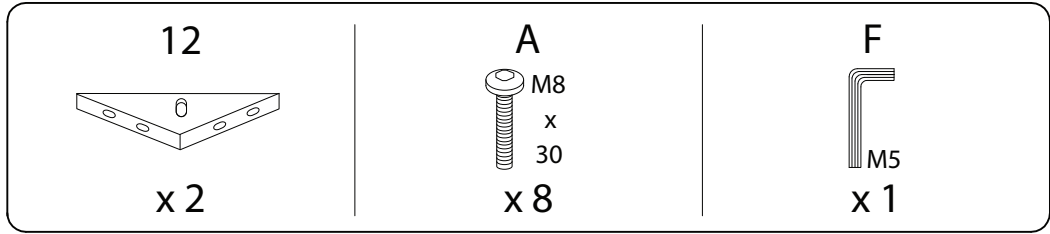
3



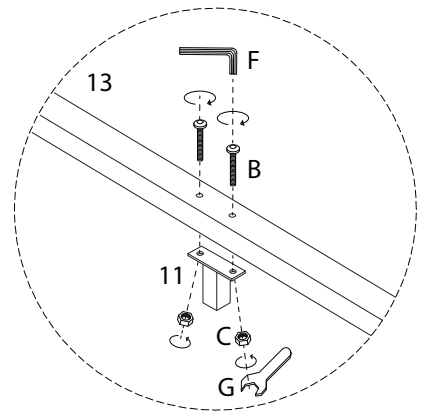
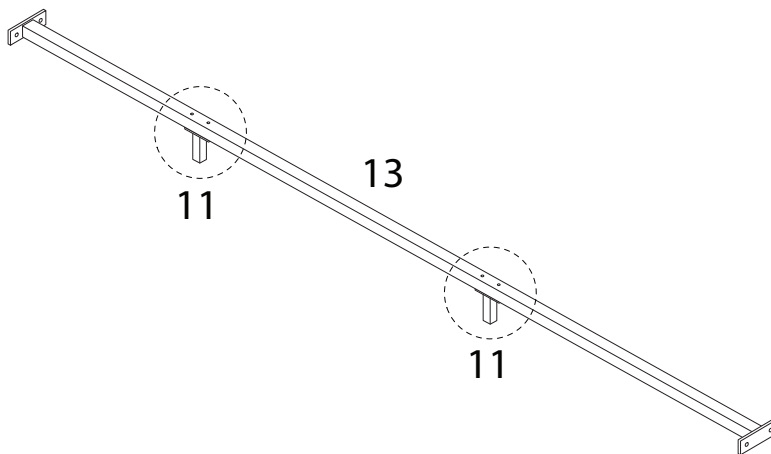
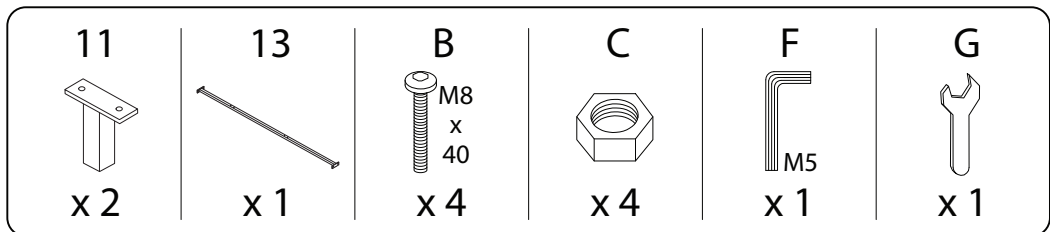
4



5



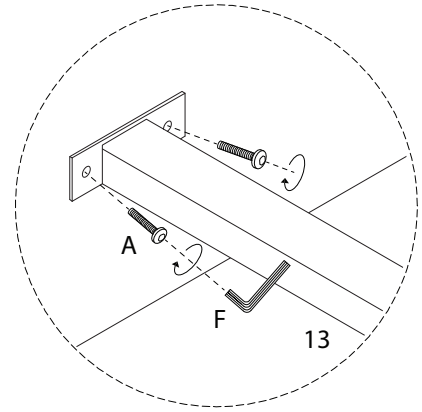
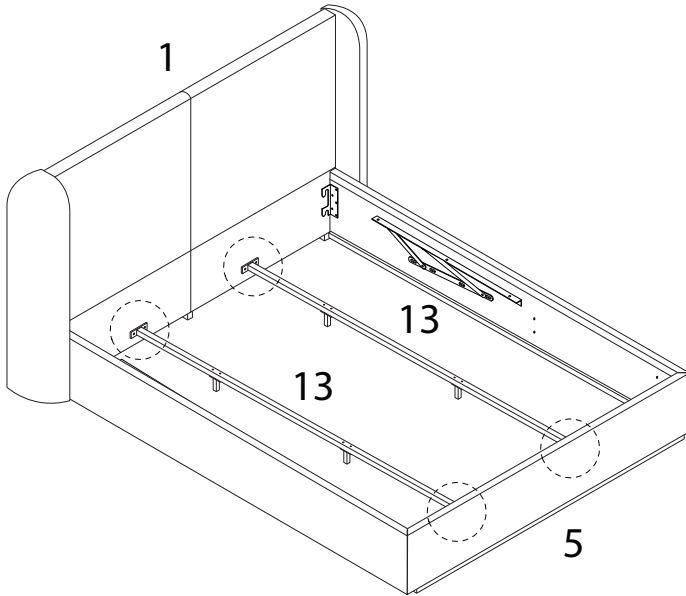
6 x 2



7

A
M8
x
30
x 8

F
M5
x 1



8

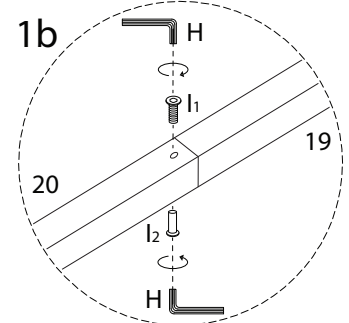
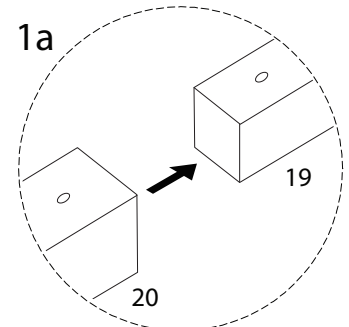
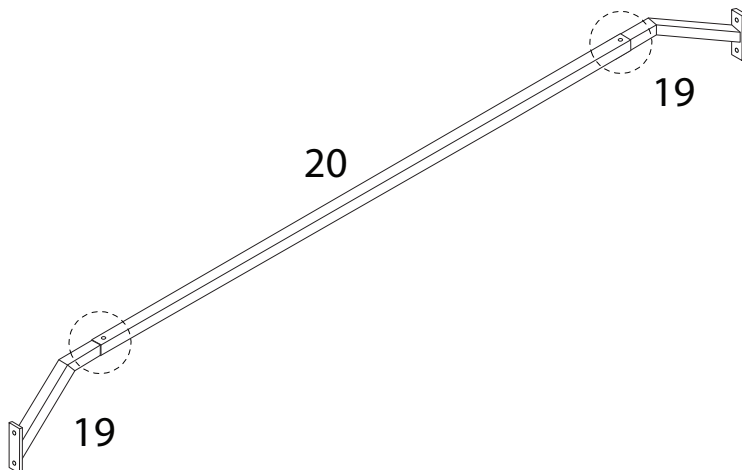
19
x 2

20
x 1

H
M4
x 2

l1
M6
x
20
x 2

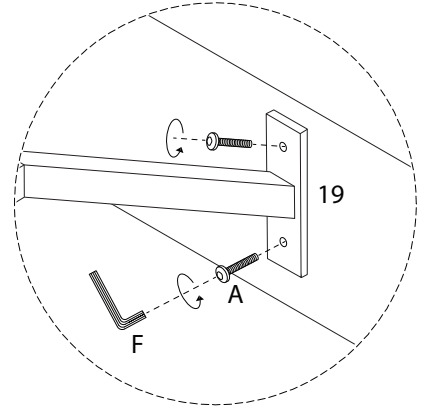
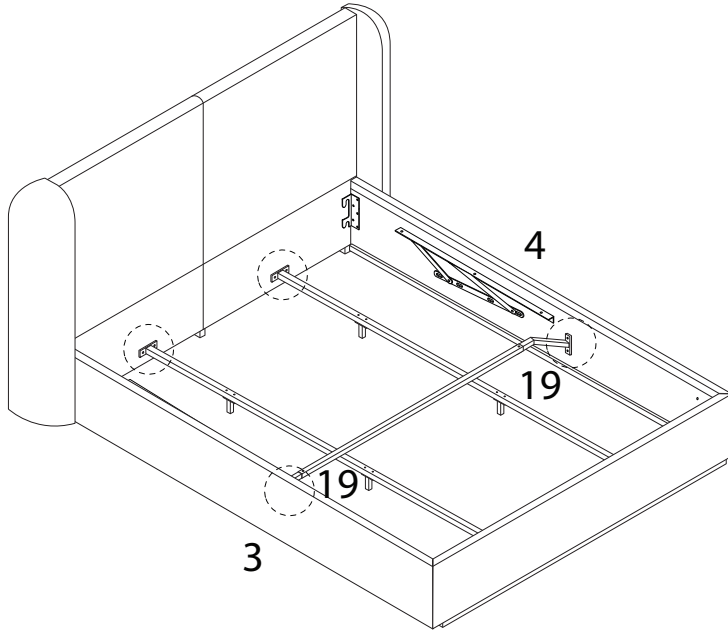
l2
M6
x
20
x 2



9

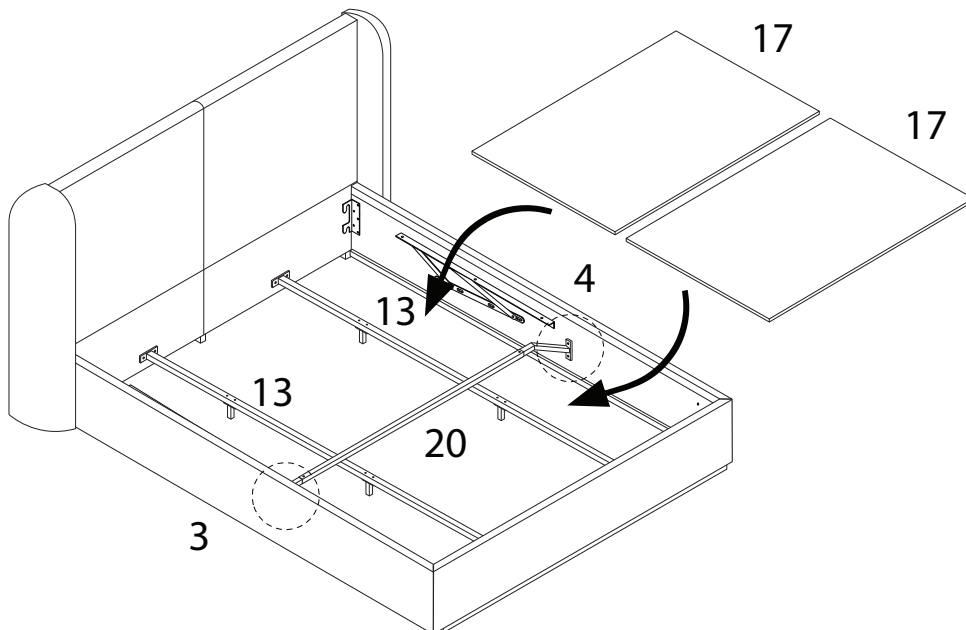
A
M8
x
30
x 4

F
M5
x 1

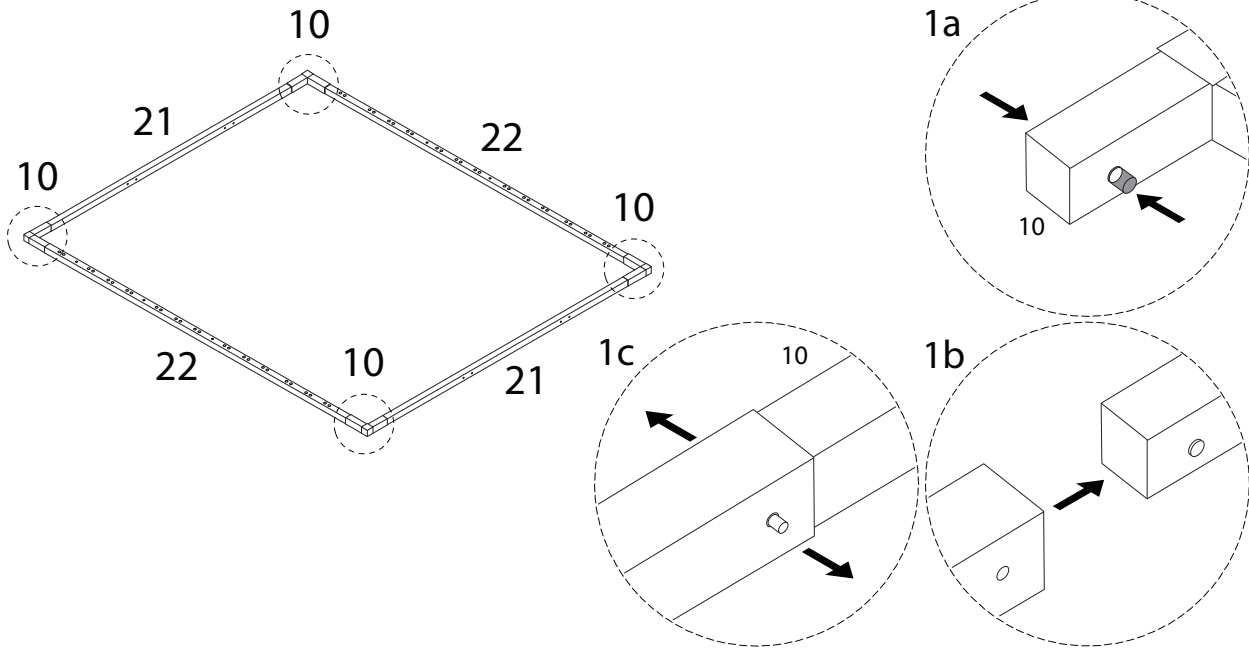
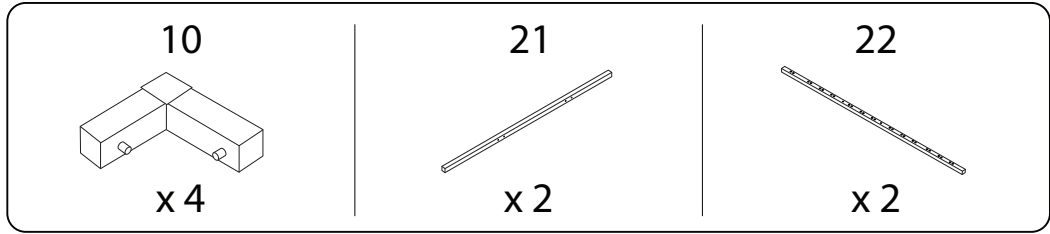


10

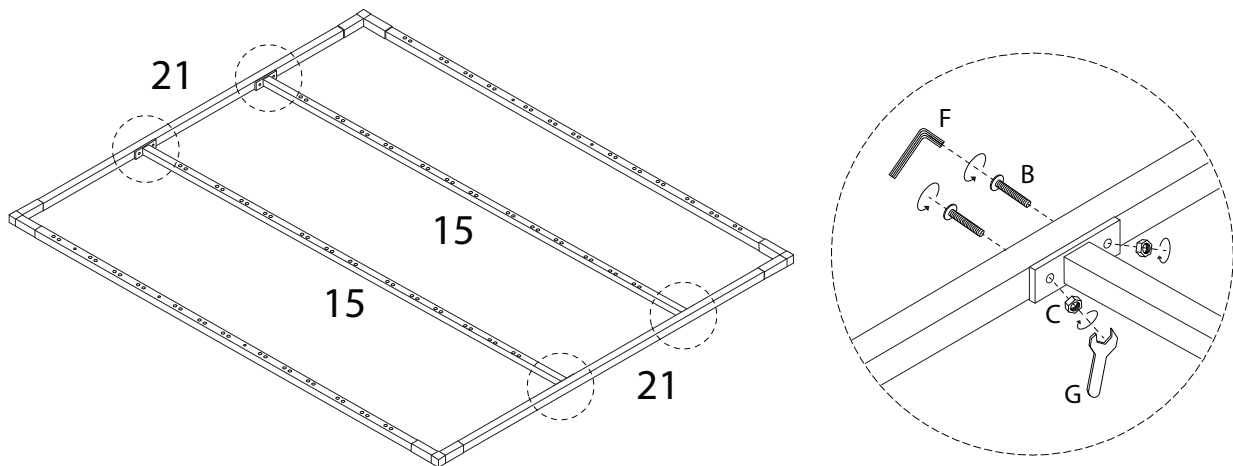
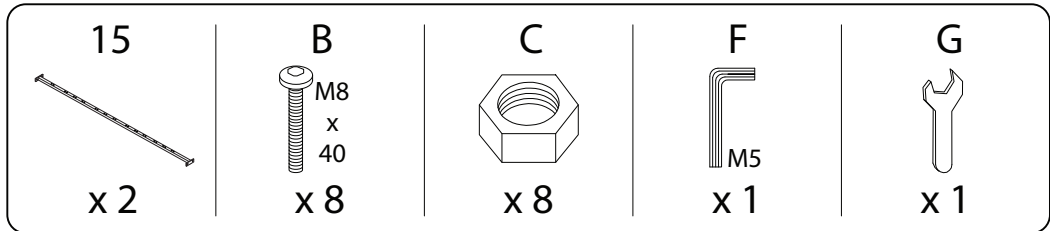
17
x 2



11

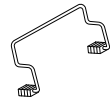


12

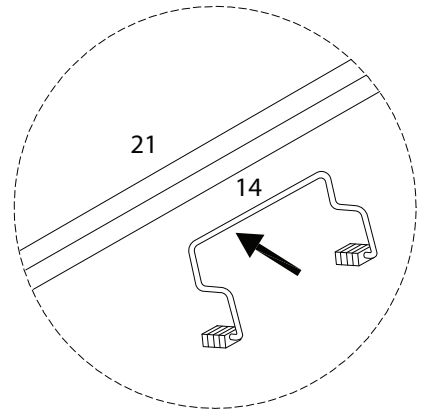
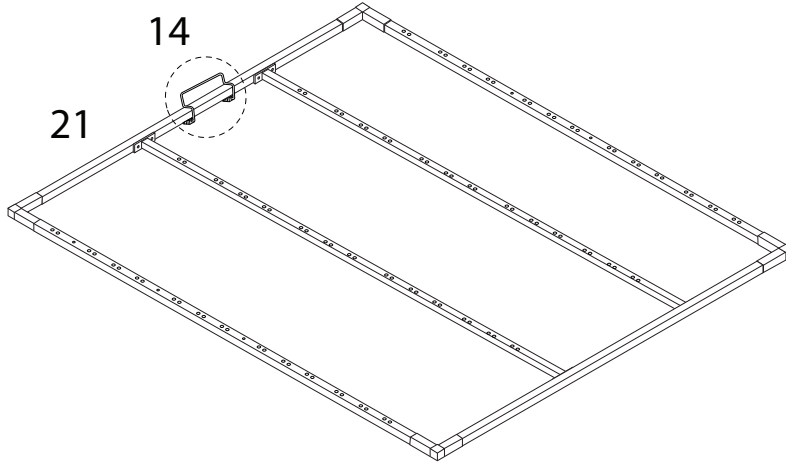


13

14



x 1

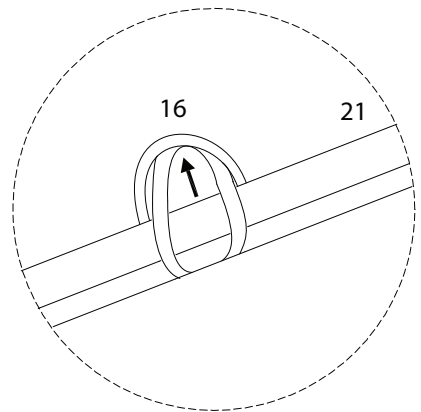
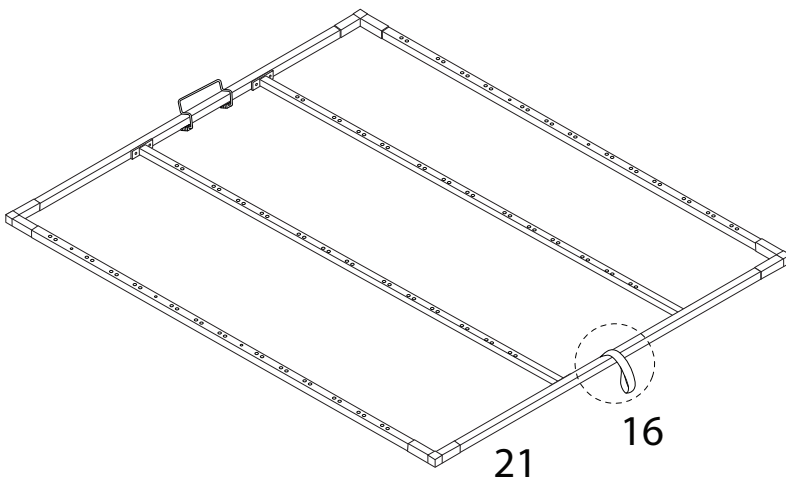


14

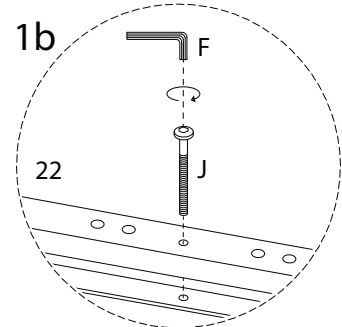
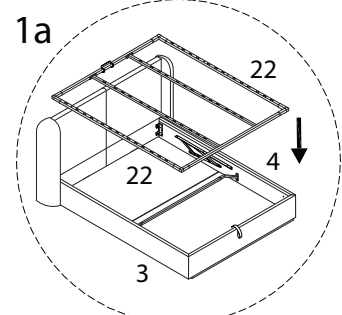
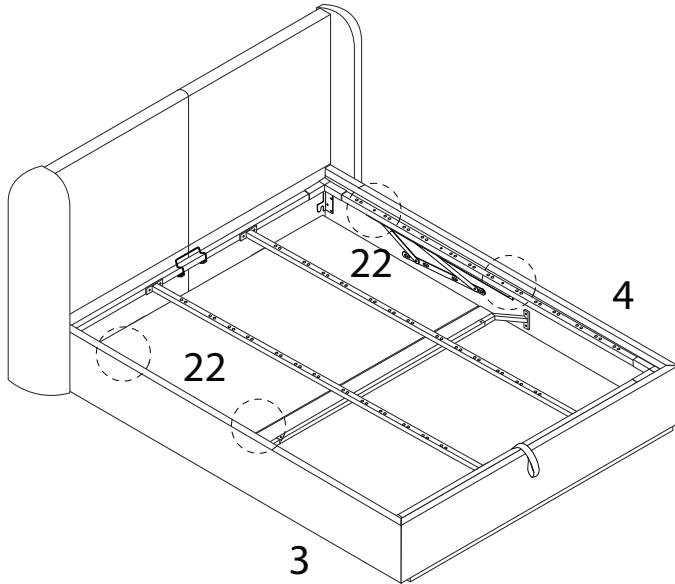
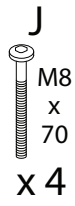
16



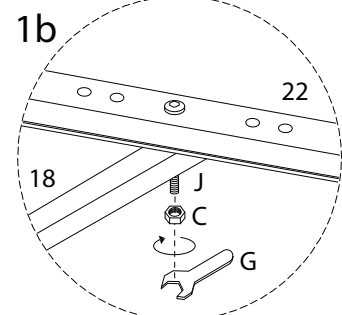
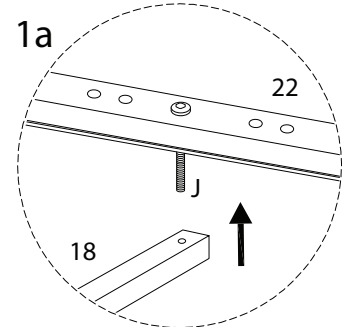
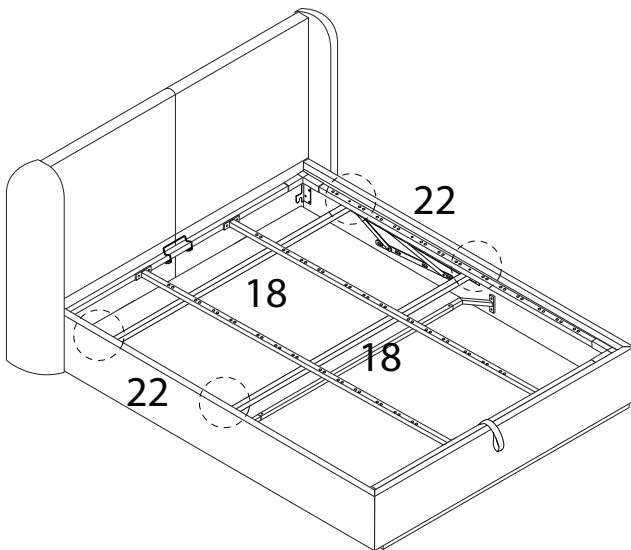
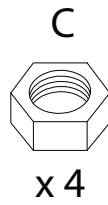
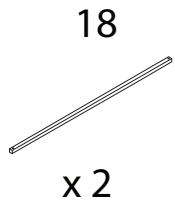
x 1



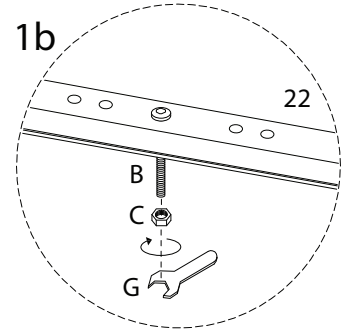
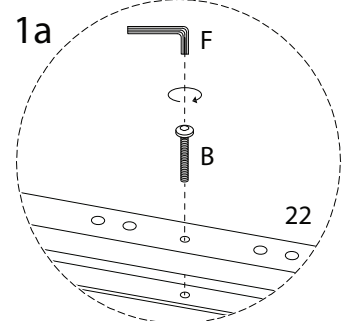
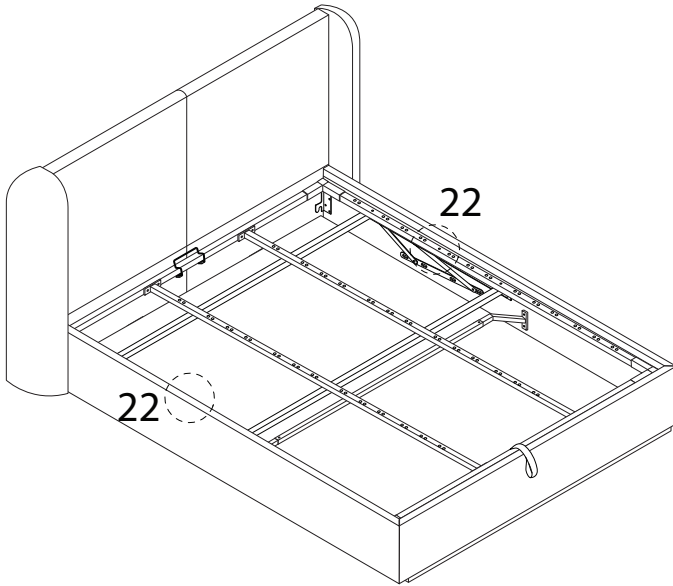
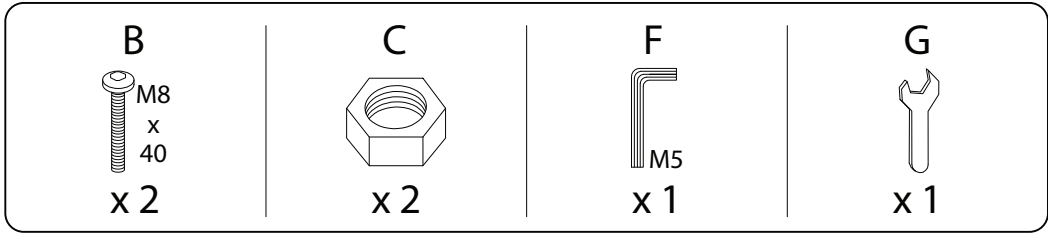
15



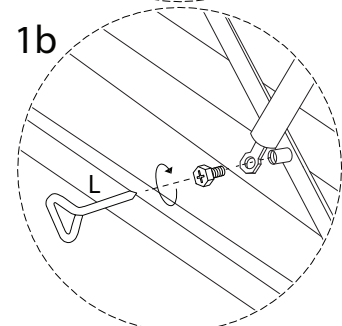
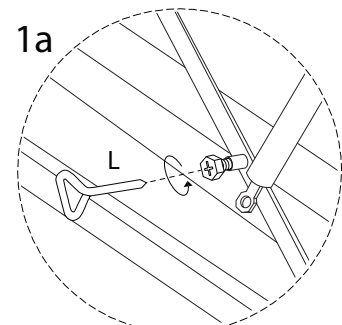
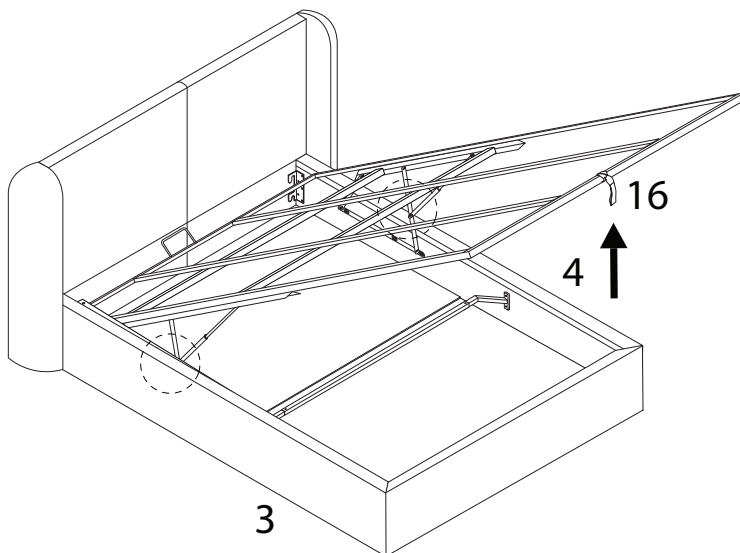
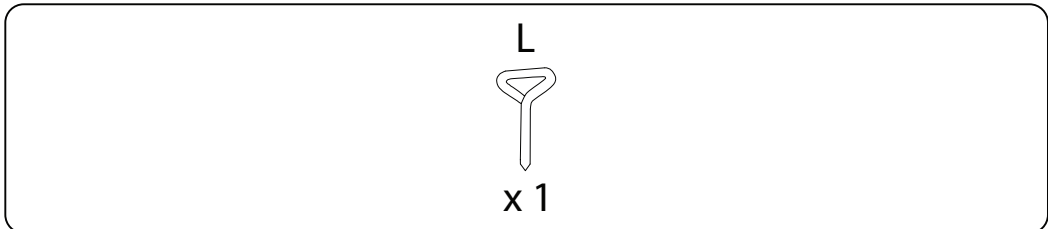
16



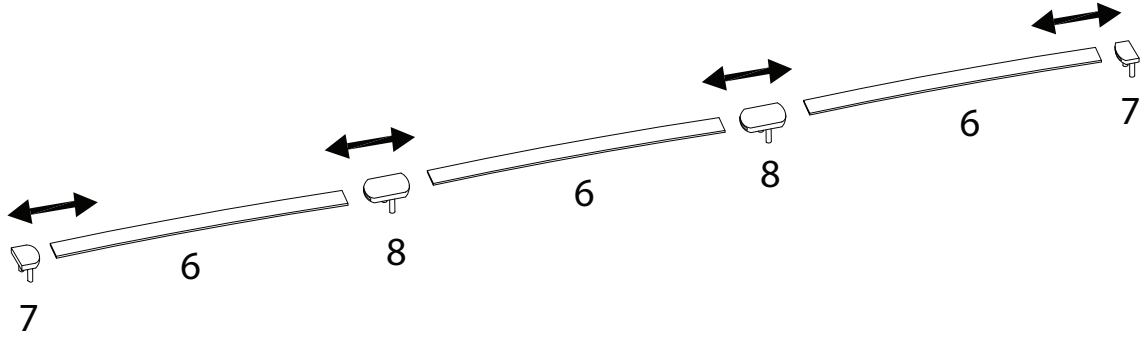
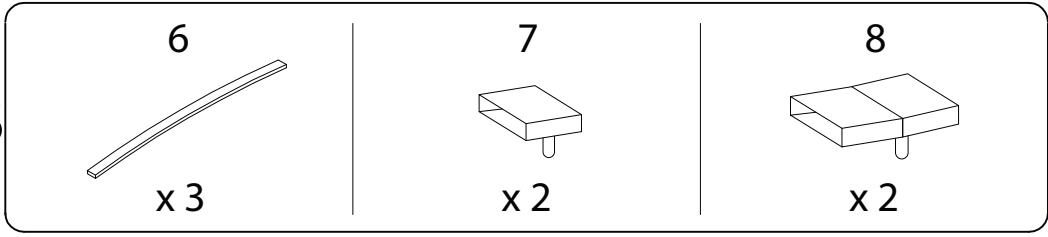
17



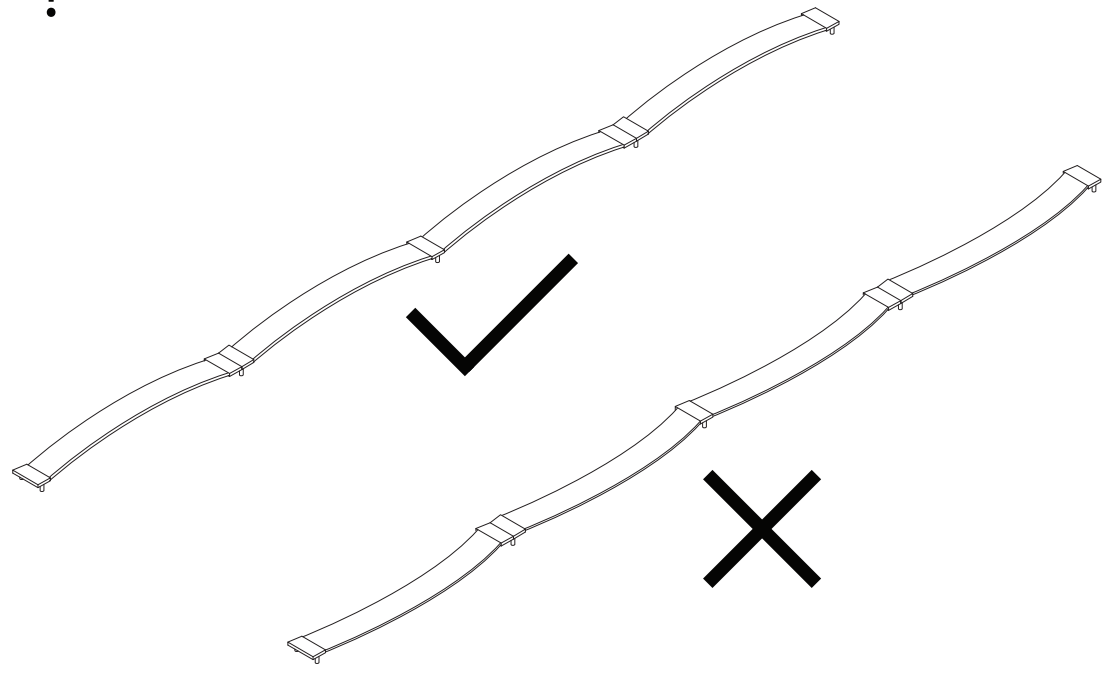
18



19 x 13



!



20

