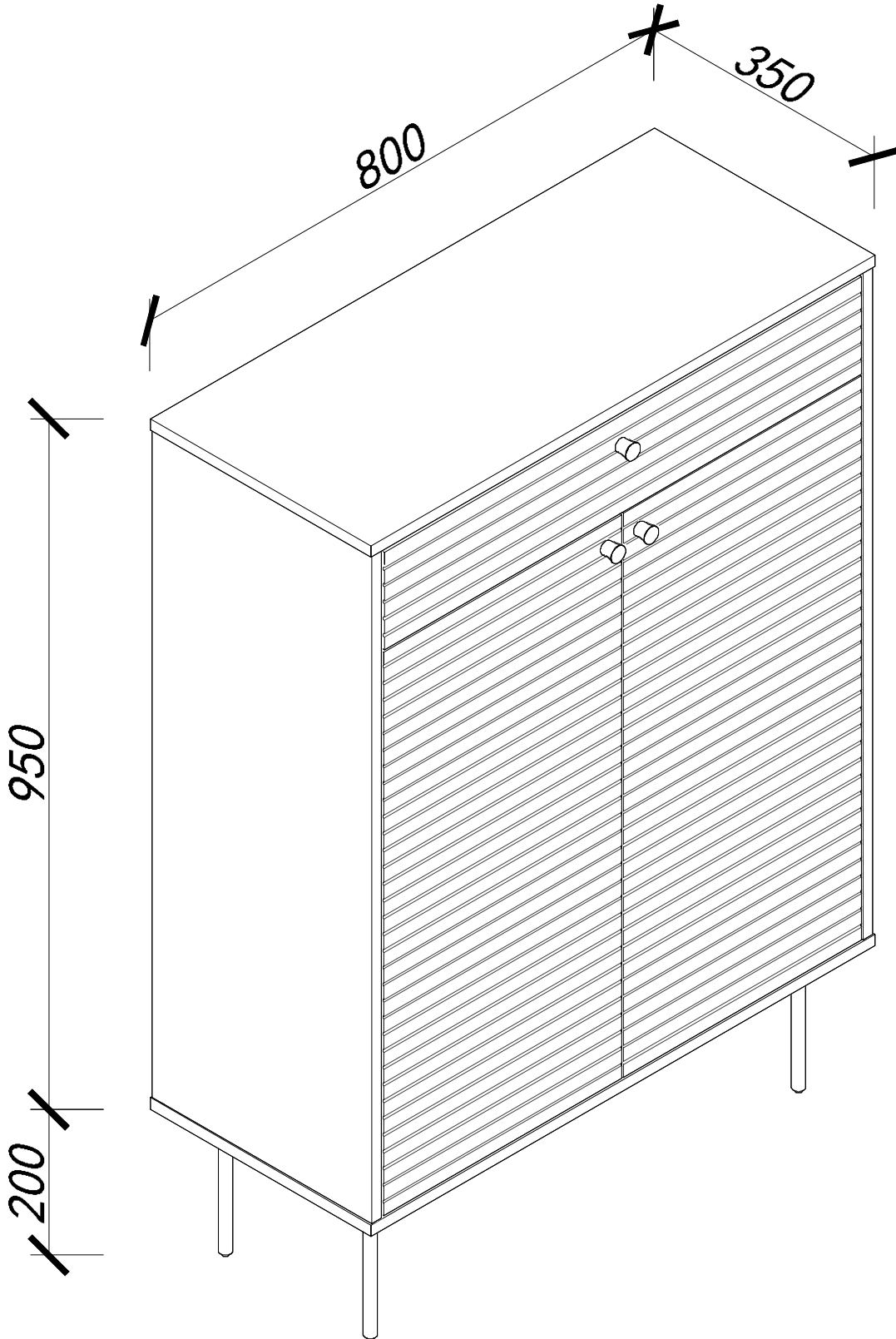
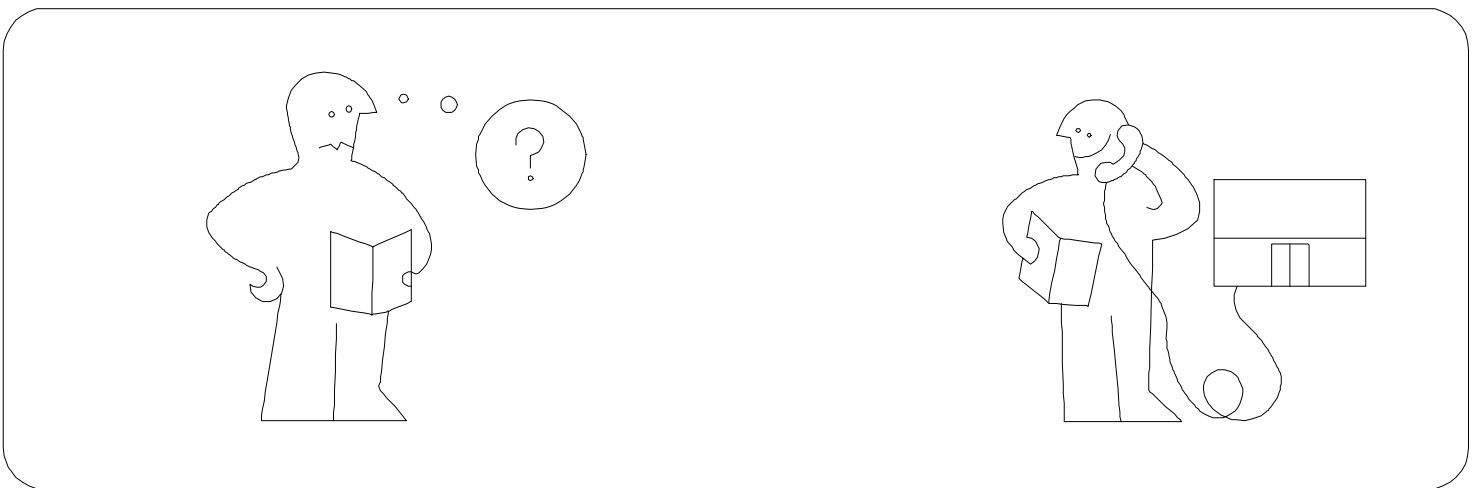
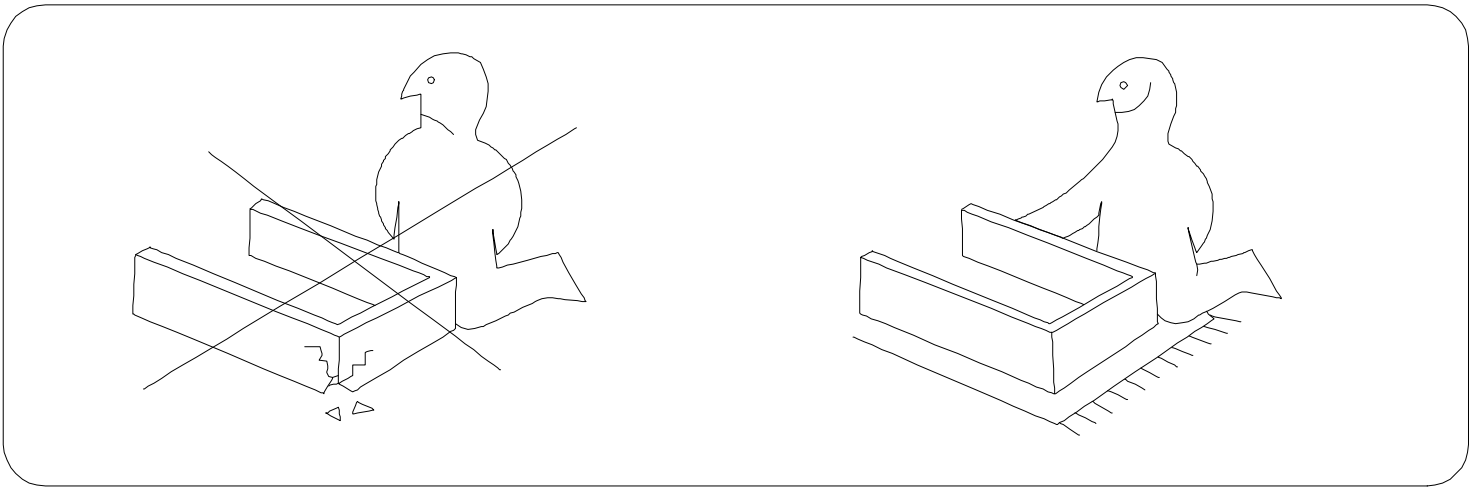
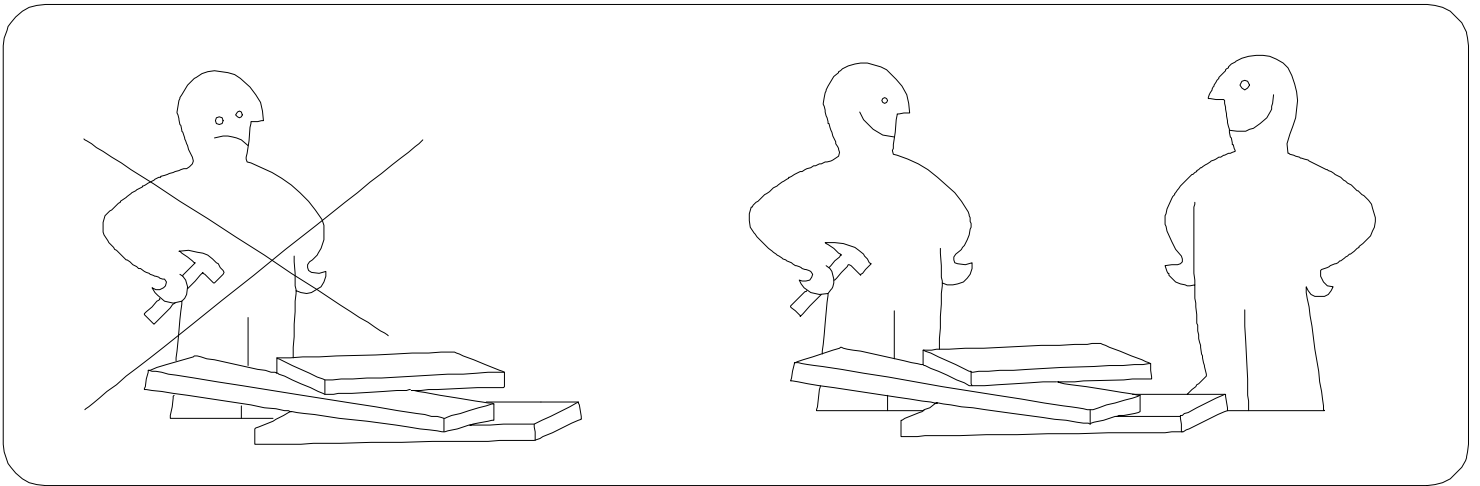
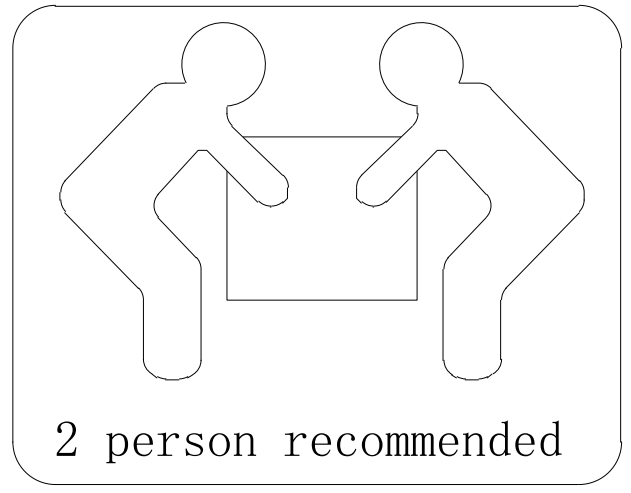
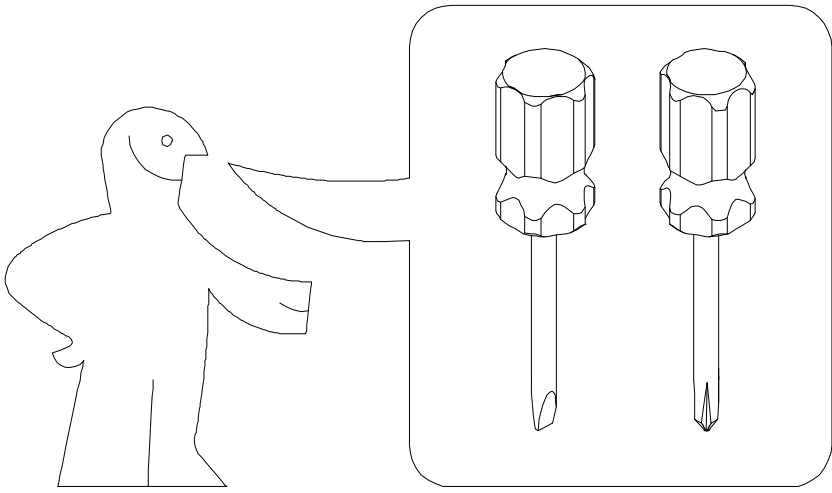


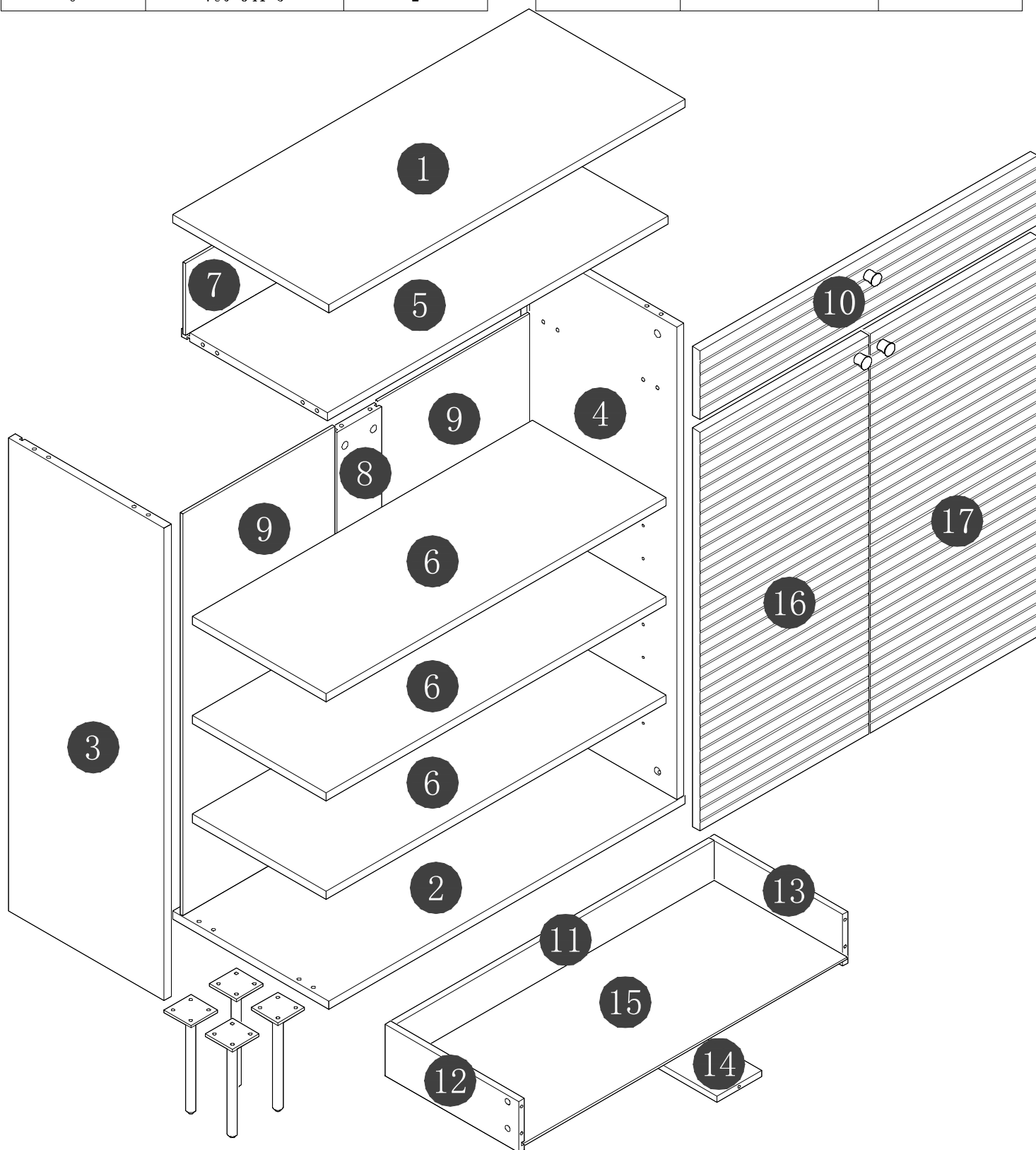
# Assembly Instruction





Panel No	Panel Sizes	Quantity
1	800*350*16	1
2	800*350*16	1
3	918*348*16	1
4	918*348*16	1
5	764*328*16	1
6	762*300*16	3
7	140*773*5	1
8	771*100*16	1
9	780*341*5	2

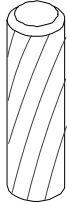
Panel No	Panel Sizes	Quantity
10	758*134*18	1
11	714*100*12	1
12	300*100*12	1
13	300*100*12	1
14	287*100*12	1
15	724*298*5	1
16	378*775*18	1
17	378*775*18	1



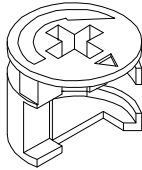
# Fittings



A=16



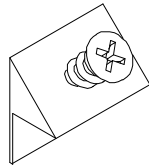
B=12



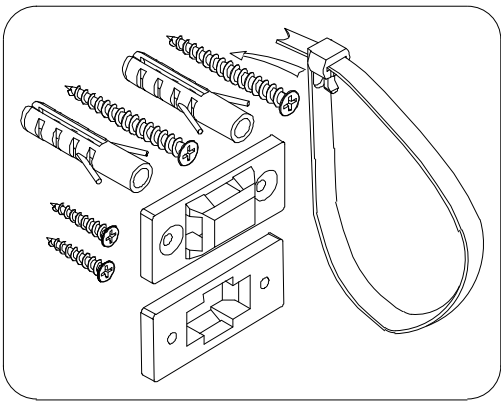
C=16



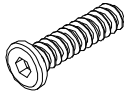
D=26



E=16

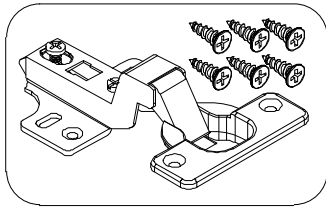


F=1



M6\*16

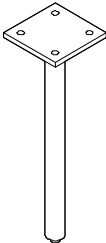
G=16



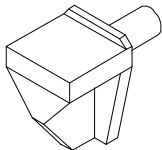
I3=4



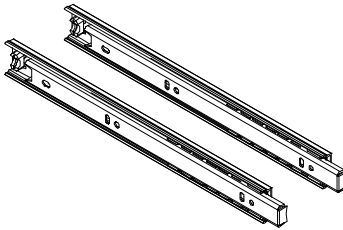
H=1



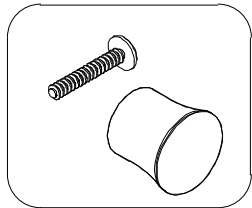
J=4



L=12



N=1



U=3



O=10



P=10

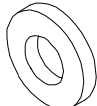


M3. 5\*12

V1=8

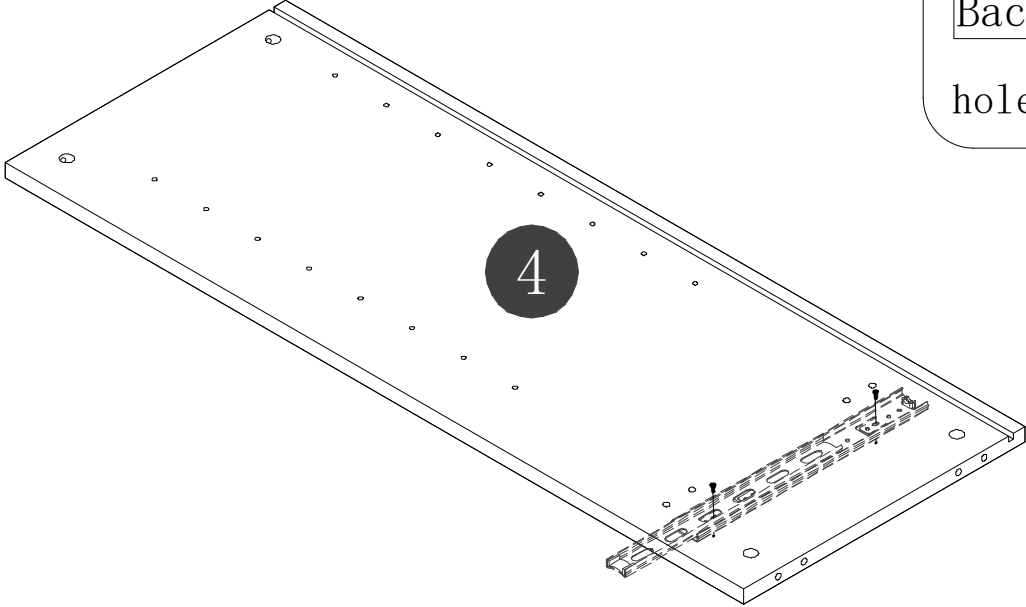
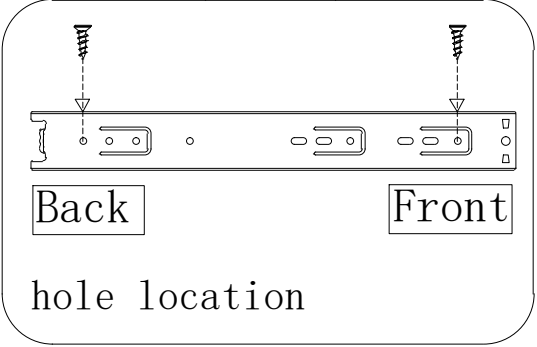
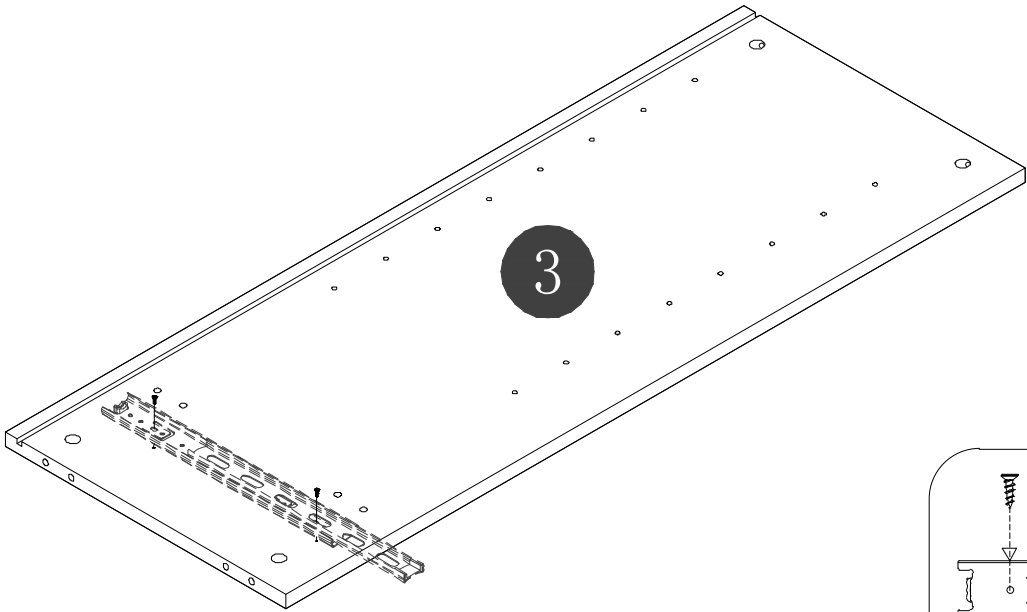
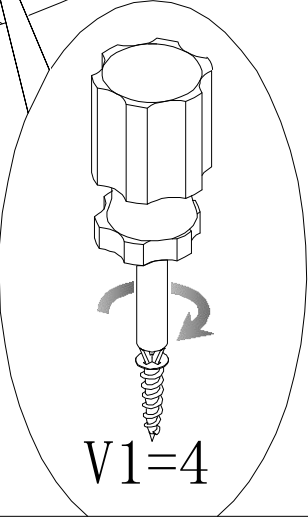
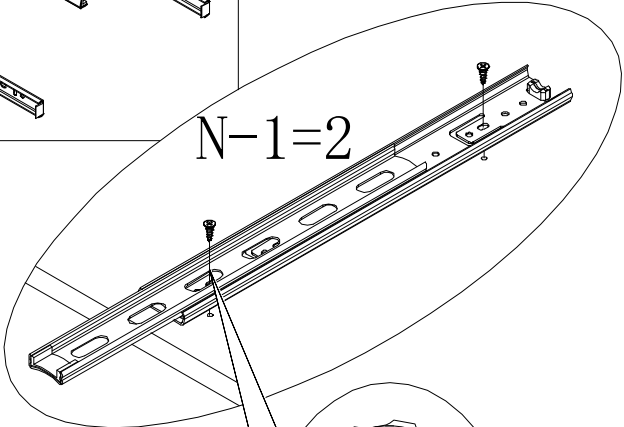
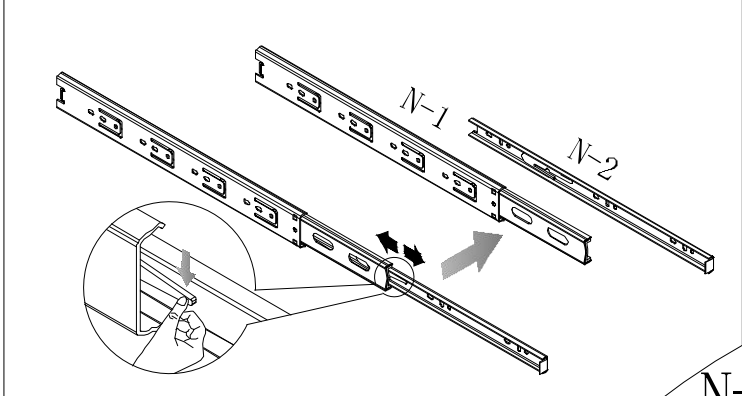


Z1=16

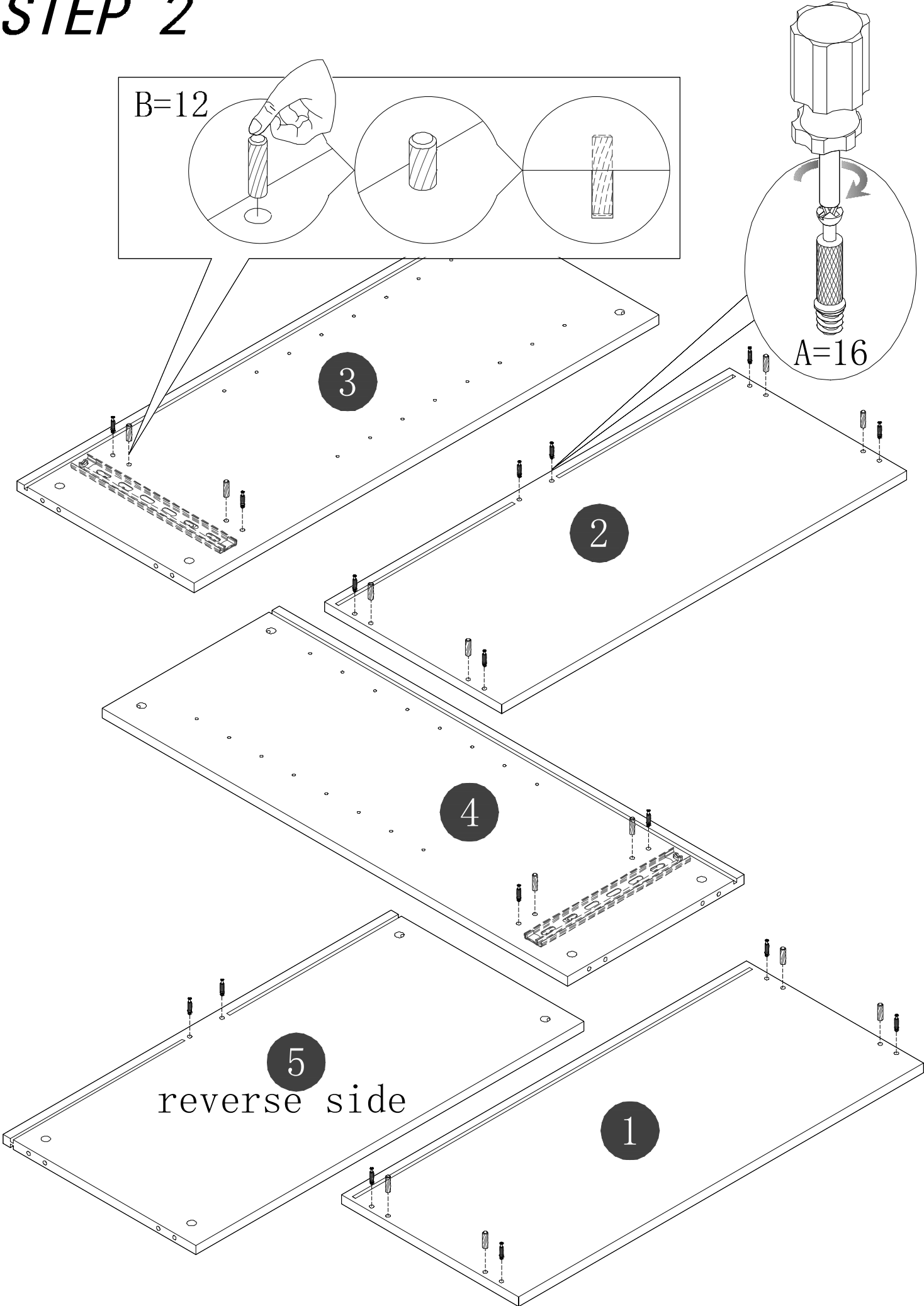


Z2=16

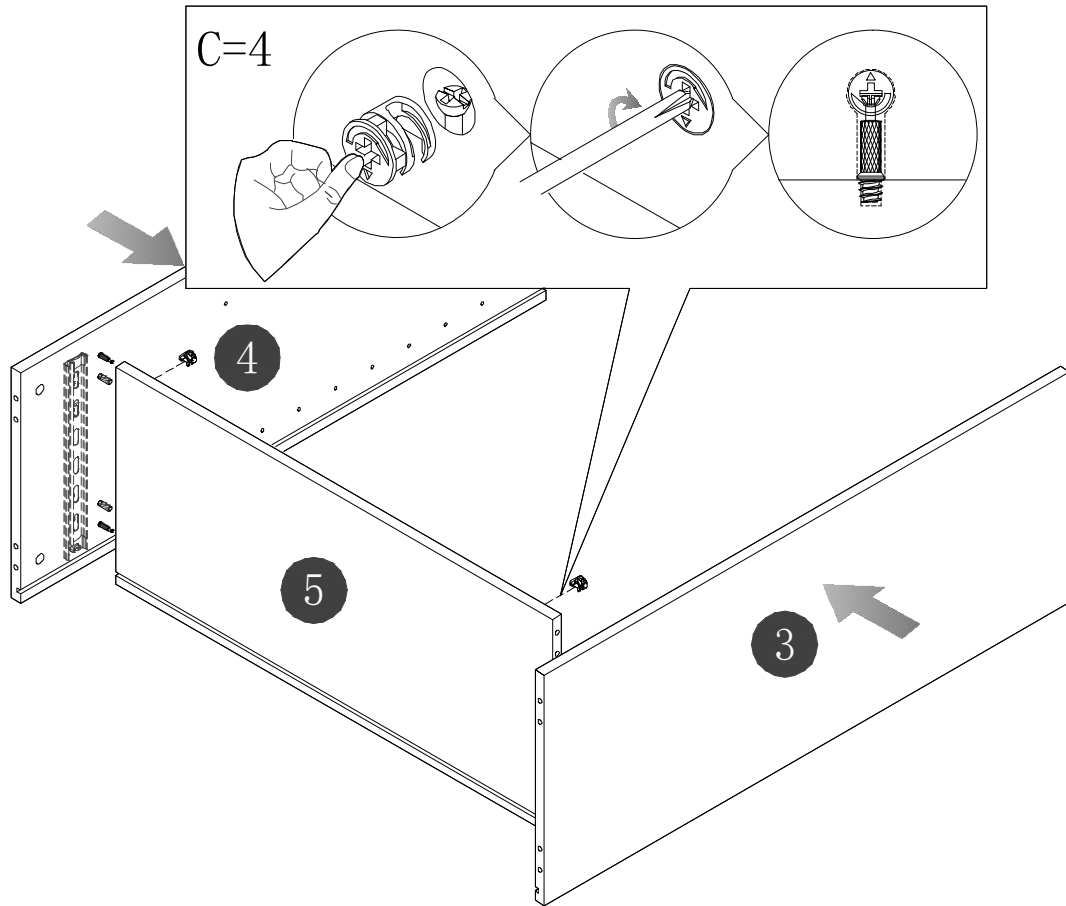
# STEP 1



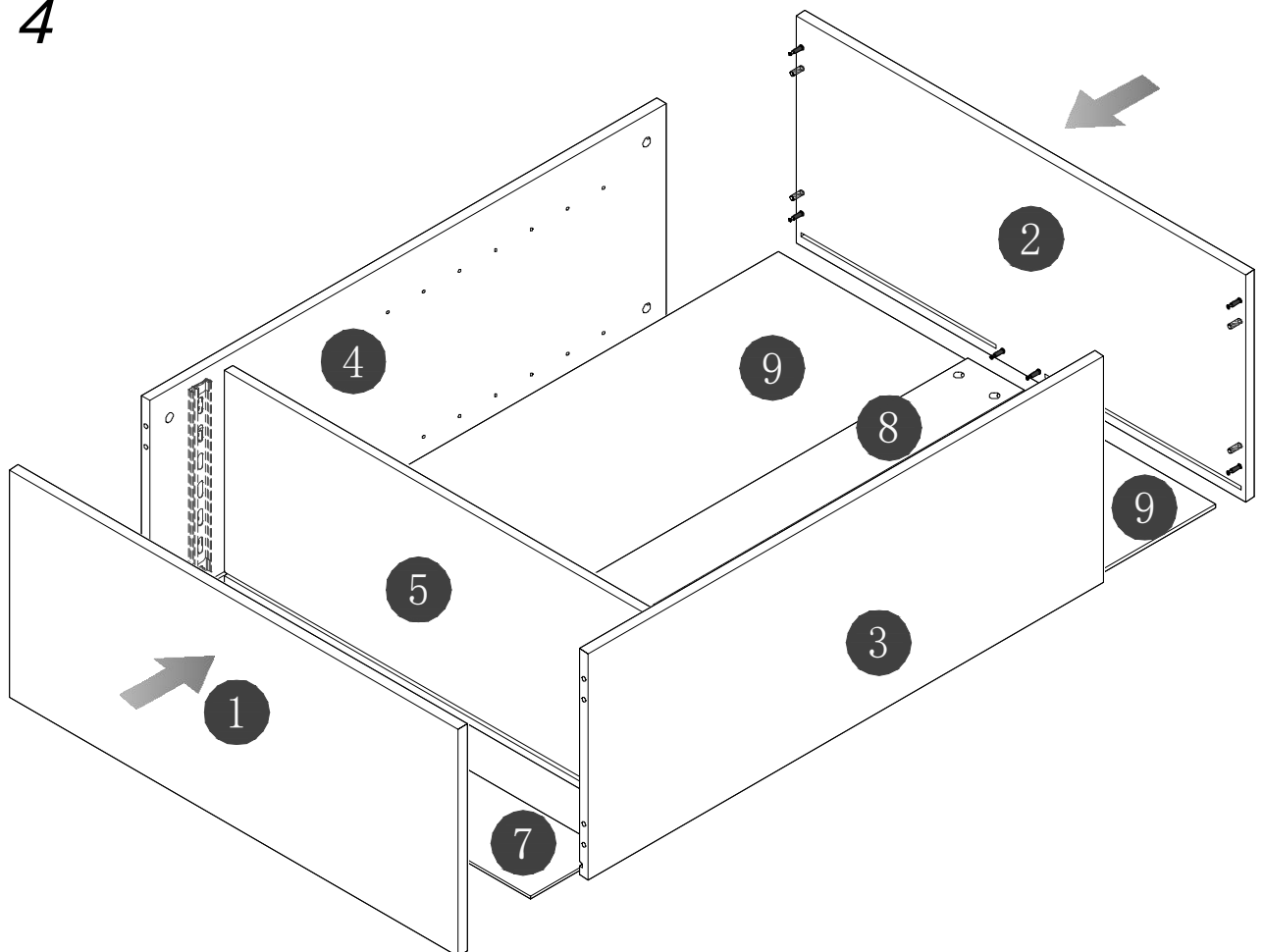
# STEP 2



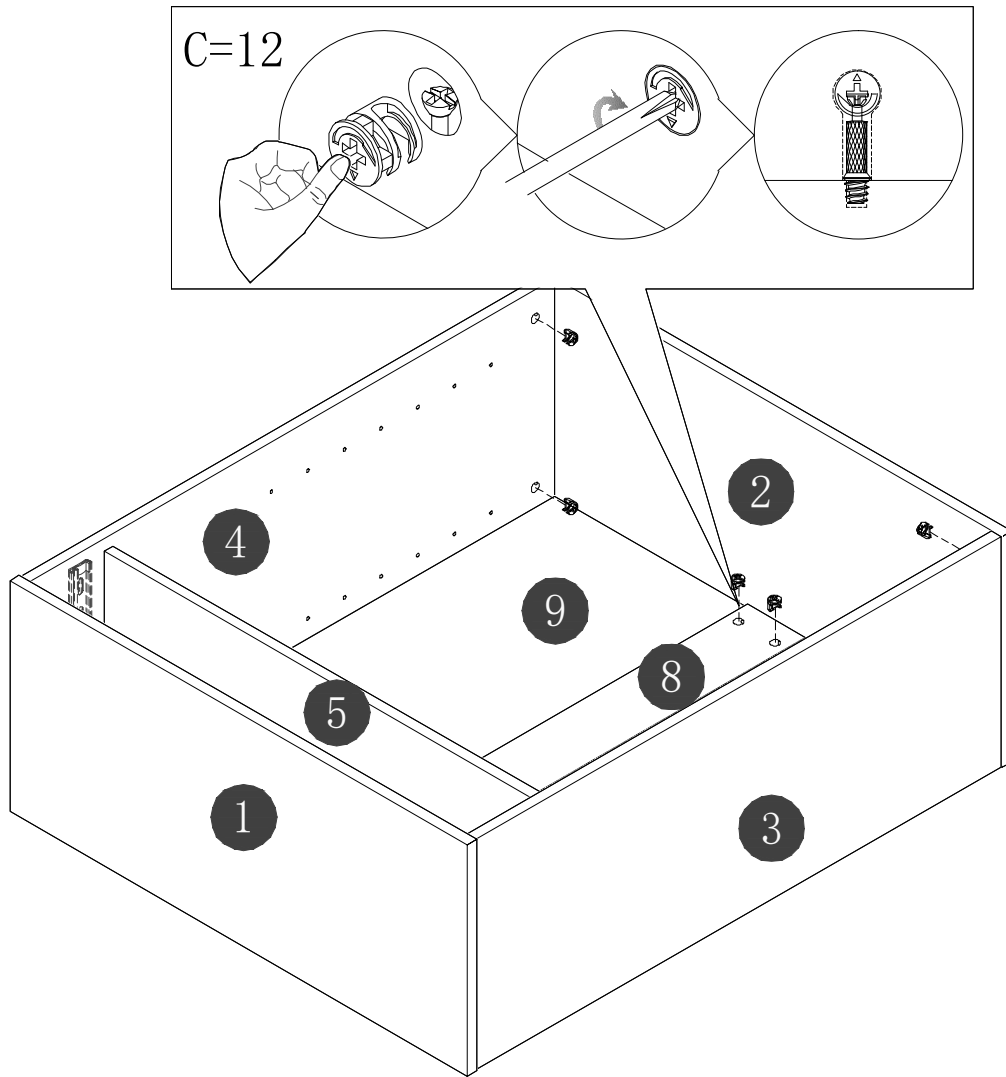
# STEP 3



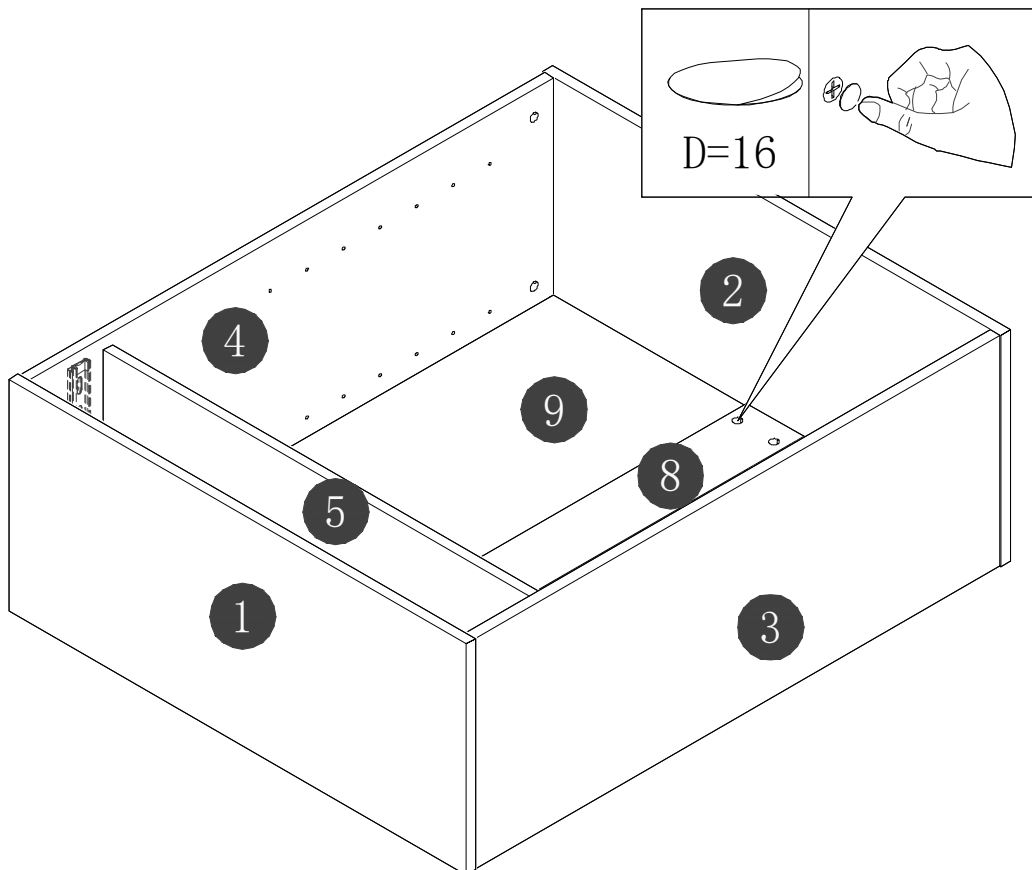
# STEP 4



# STEP 5

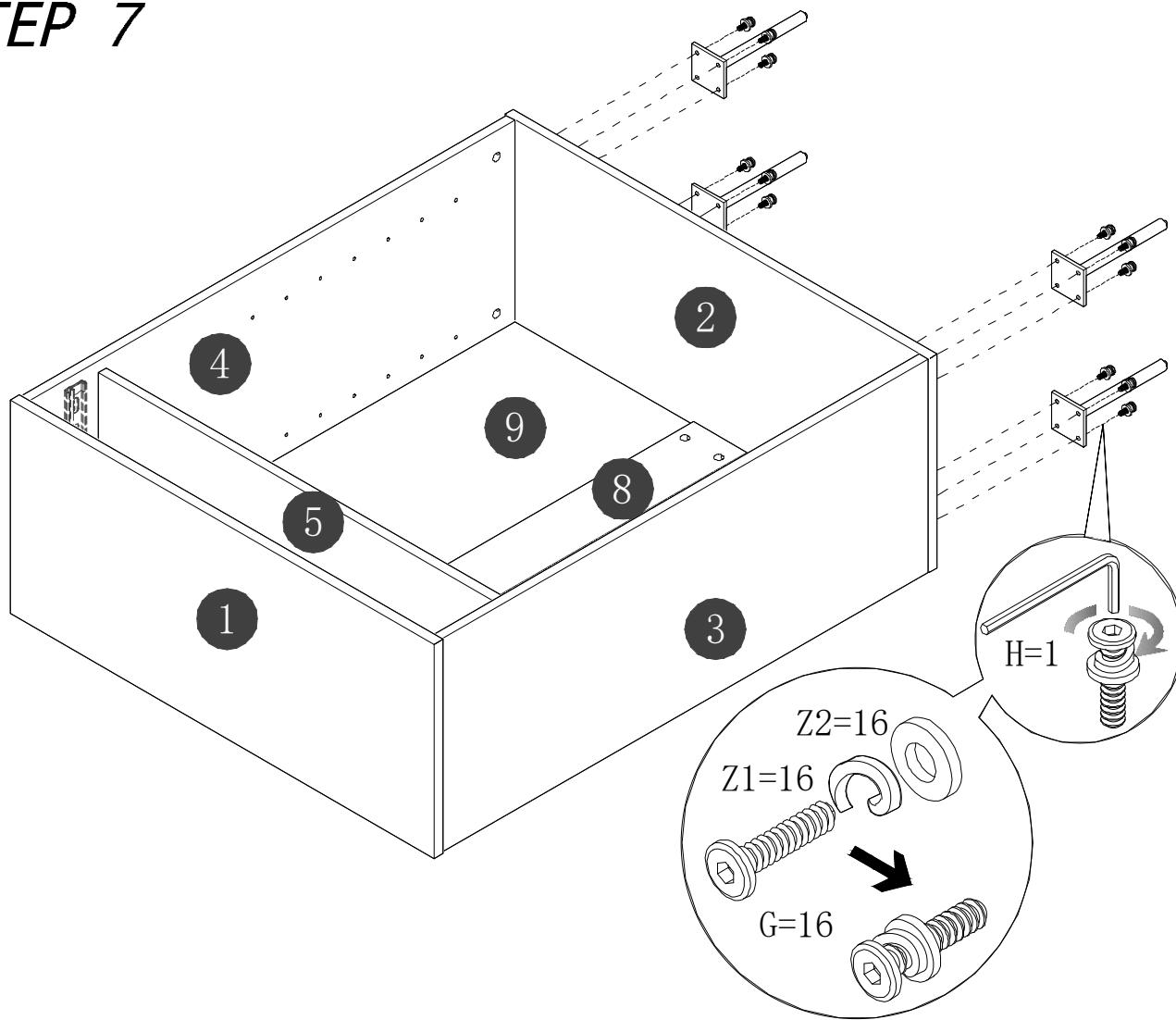


# STEP 6

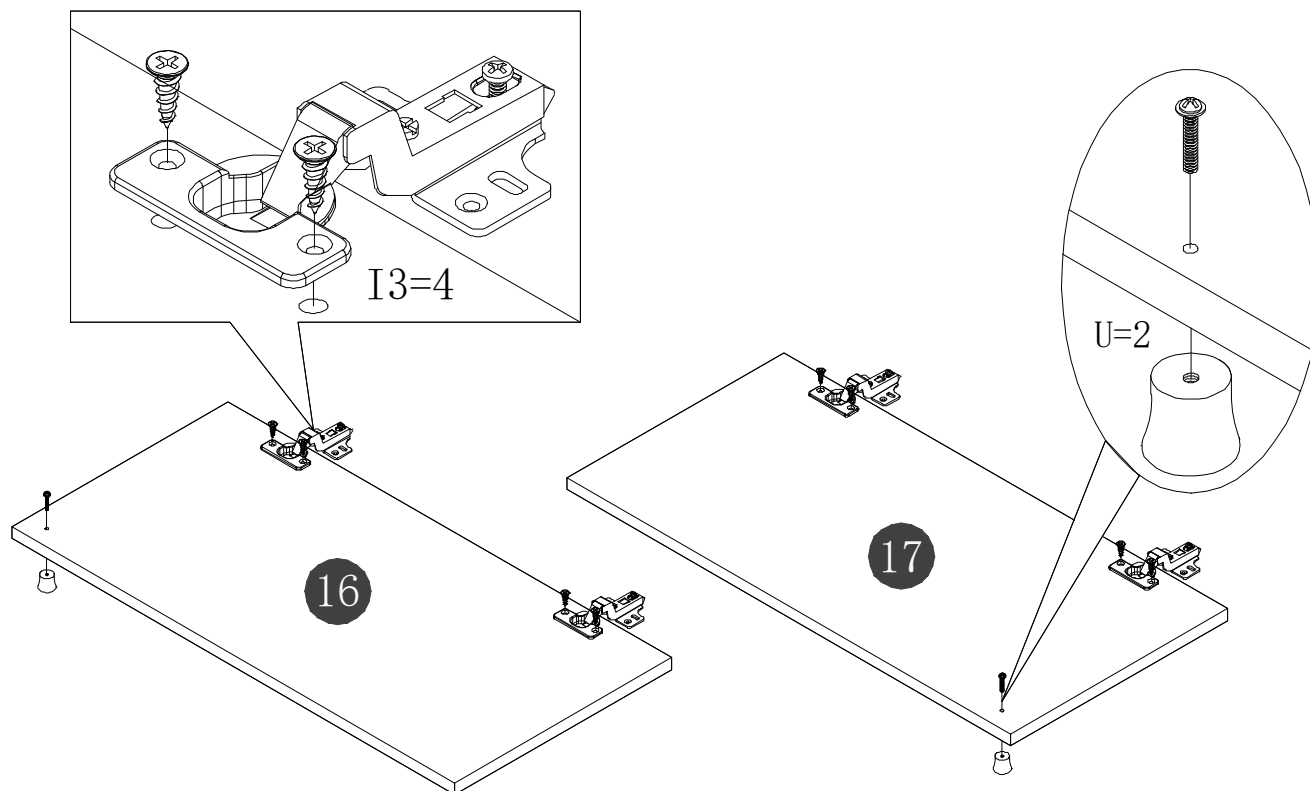




# STEP 7

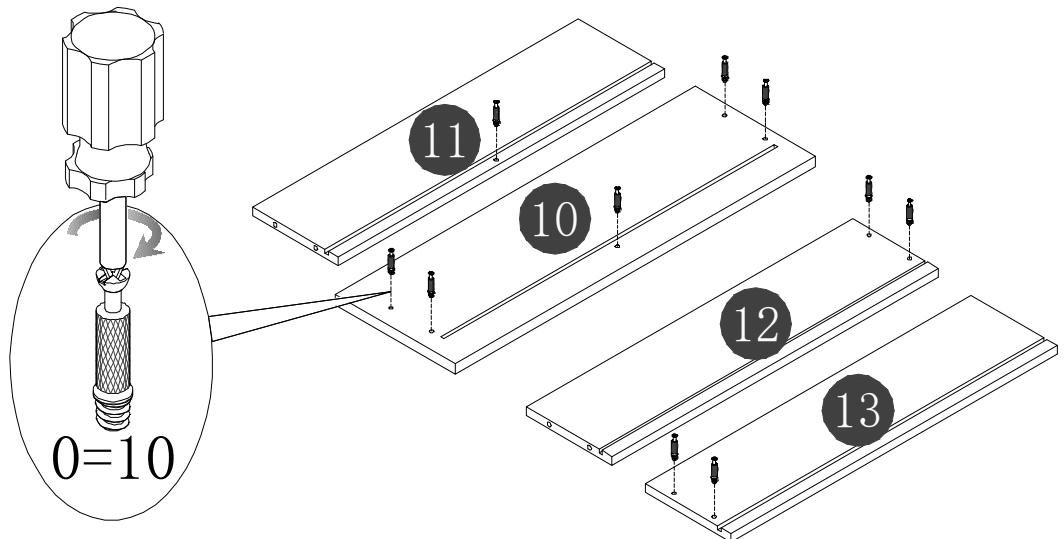


# STEP 8

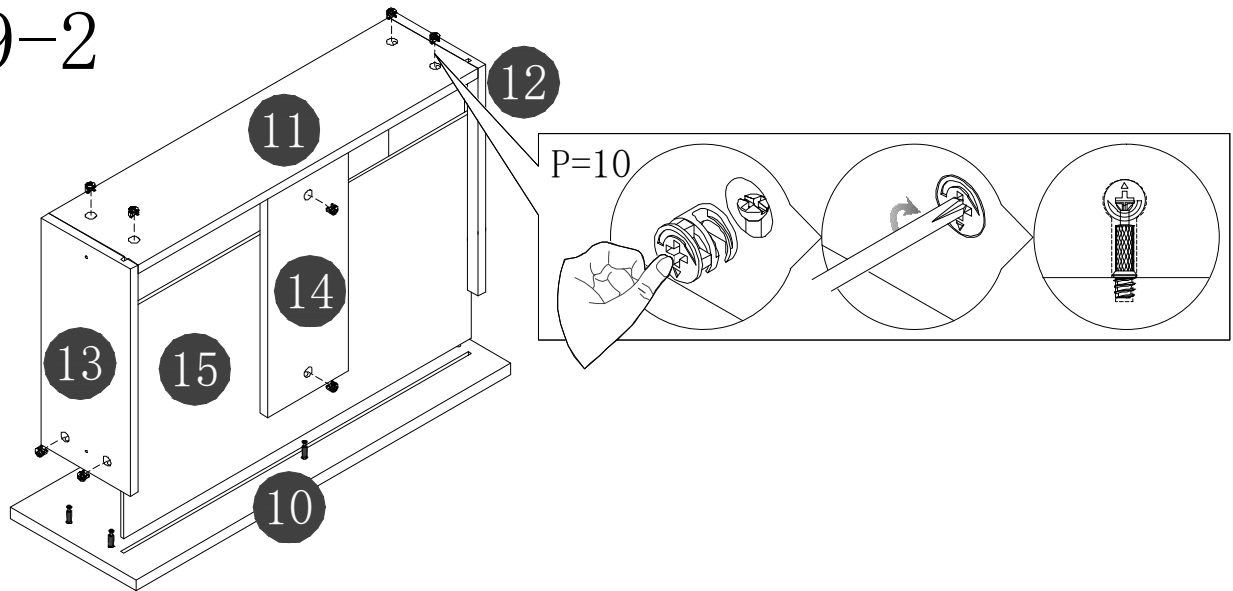


# STEP 9

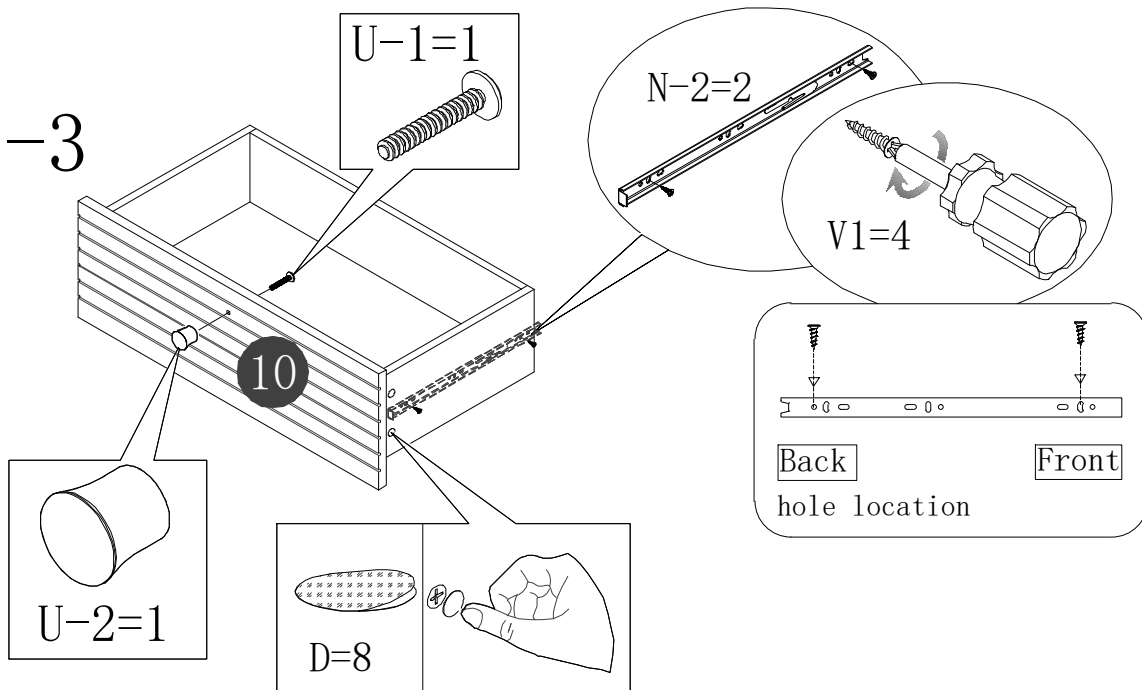
9-1



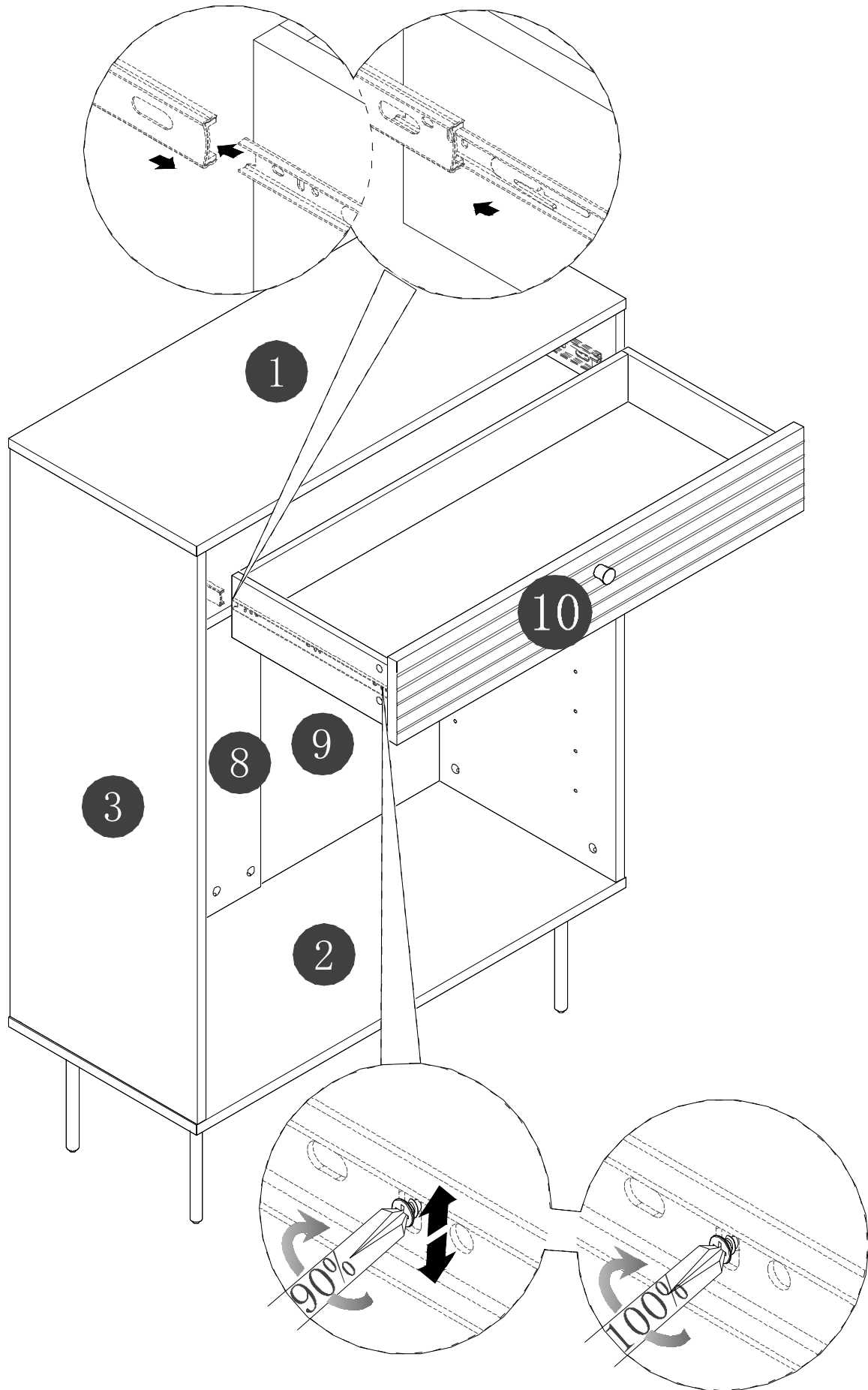
9-2



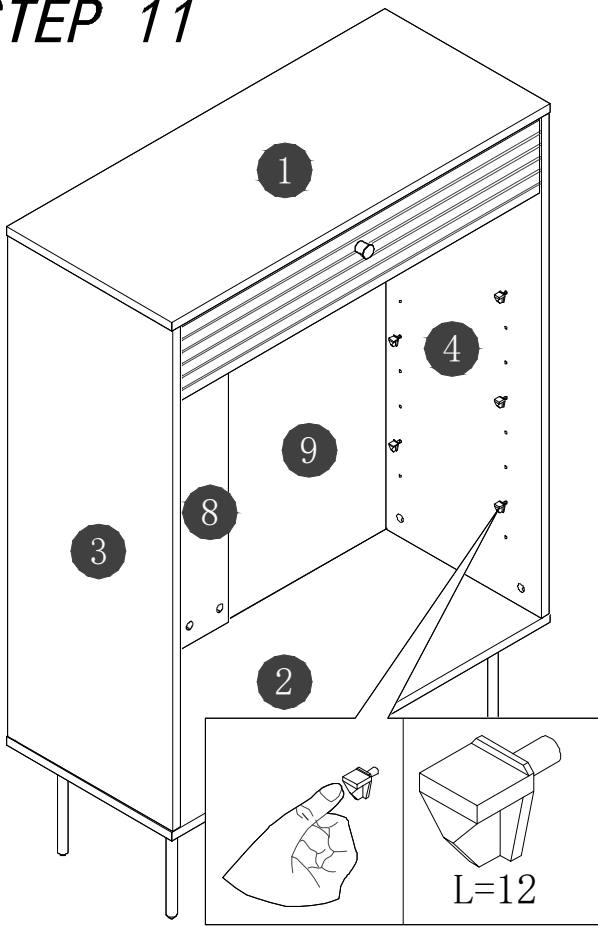
9-3



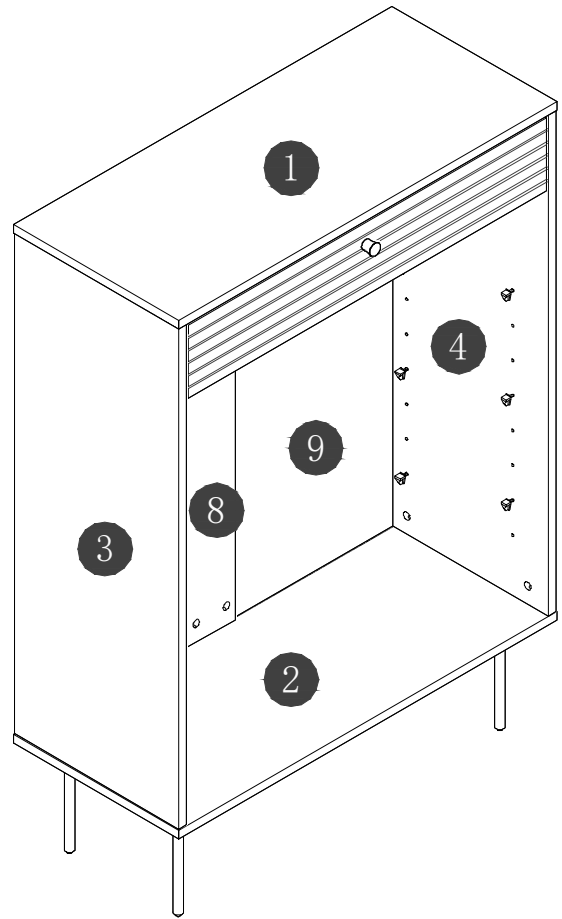
# STEP 10



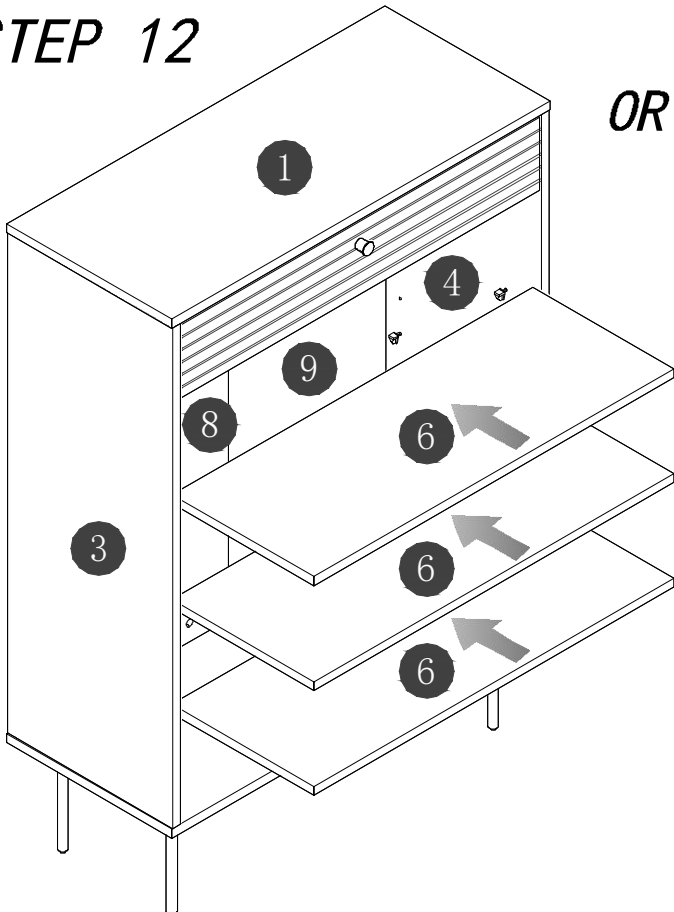
# STEP 11



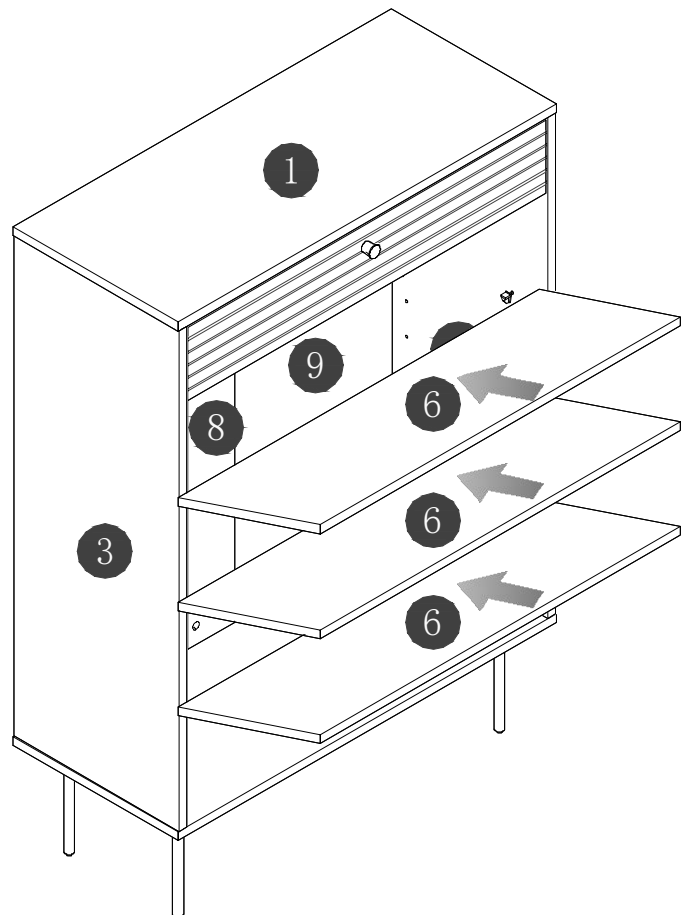
OR



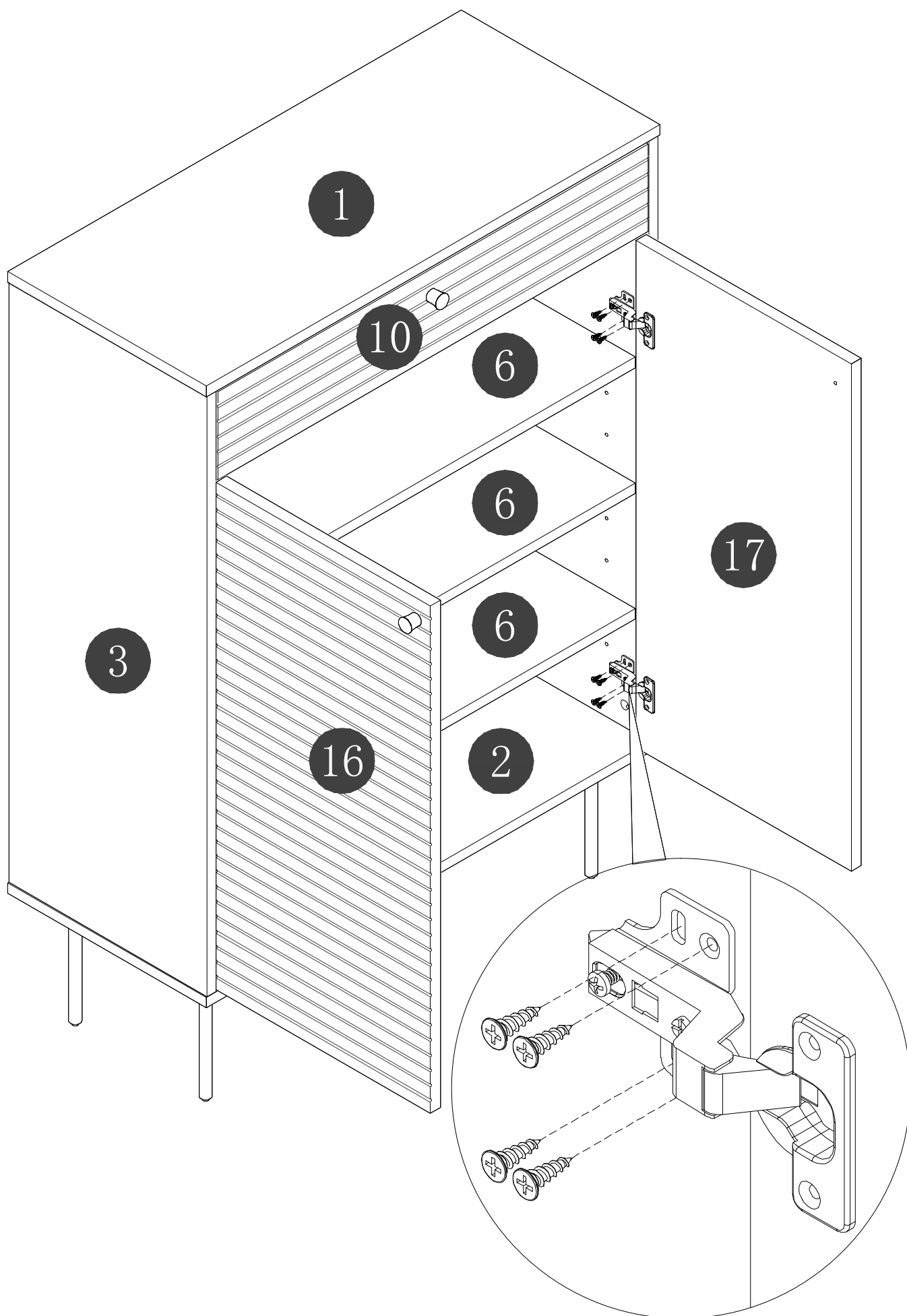
# STEP 12



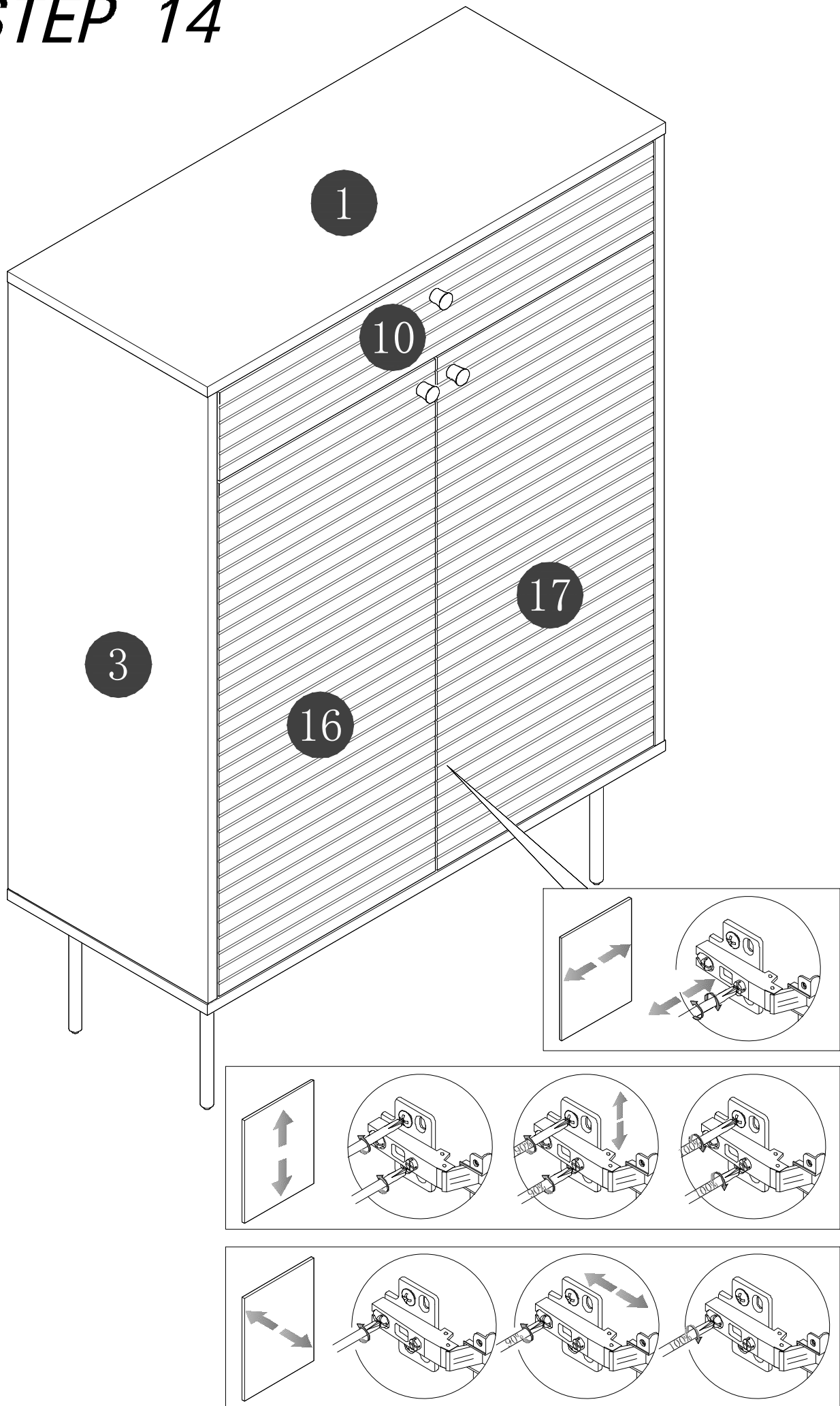
OR



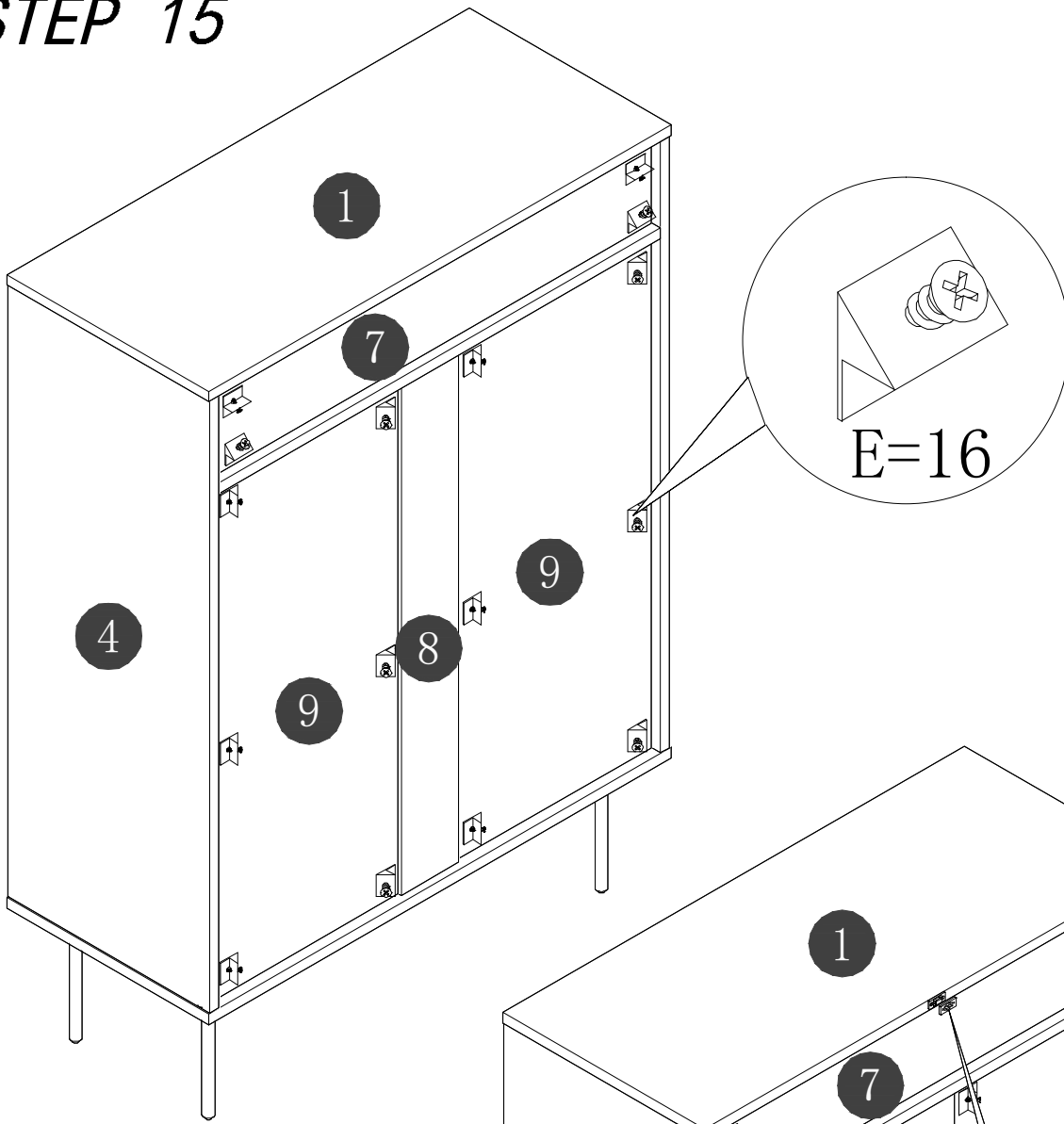
# STEP 13



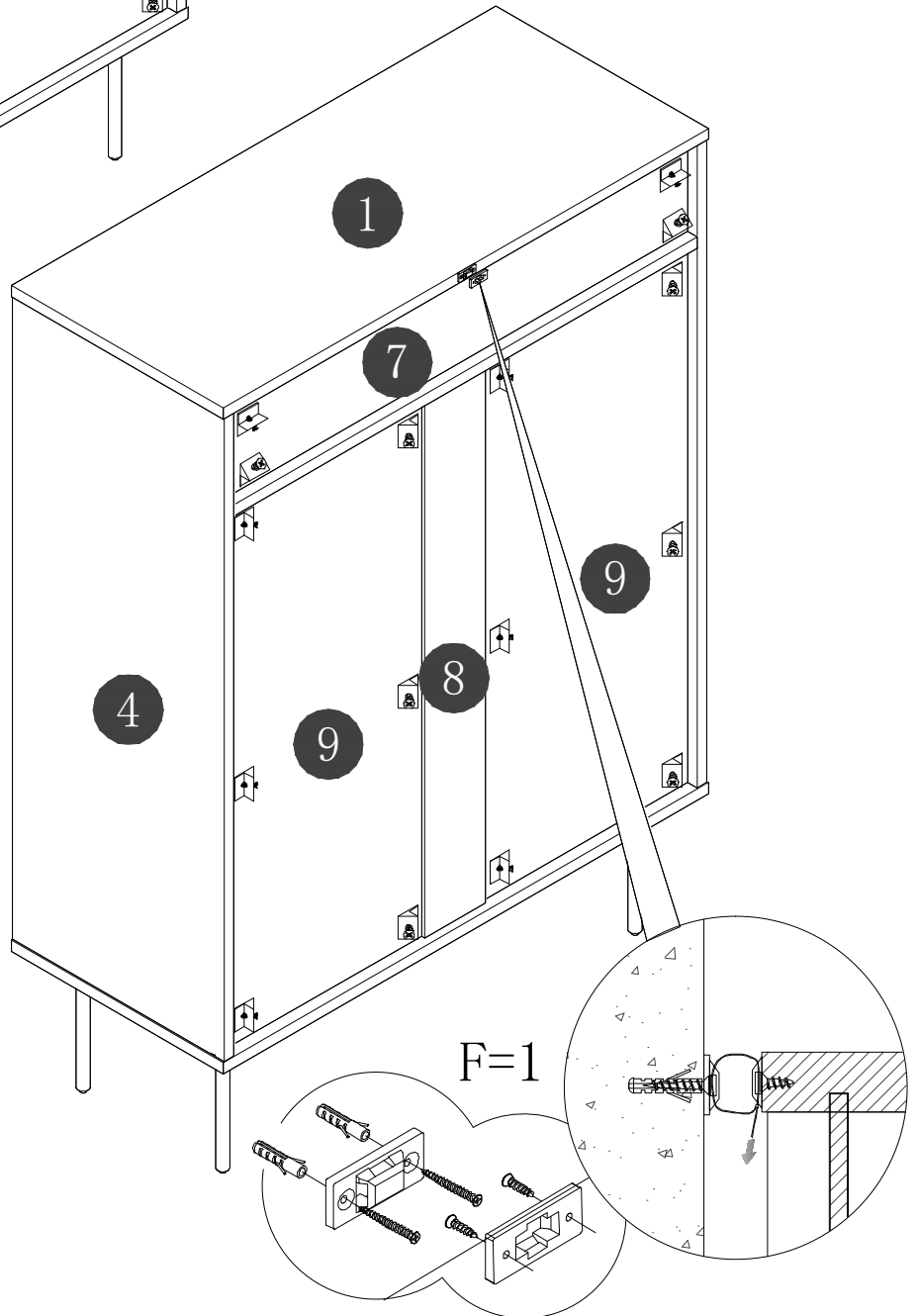
# STEP 14



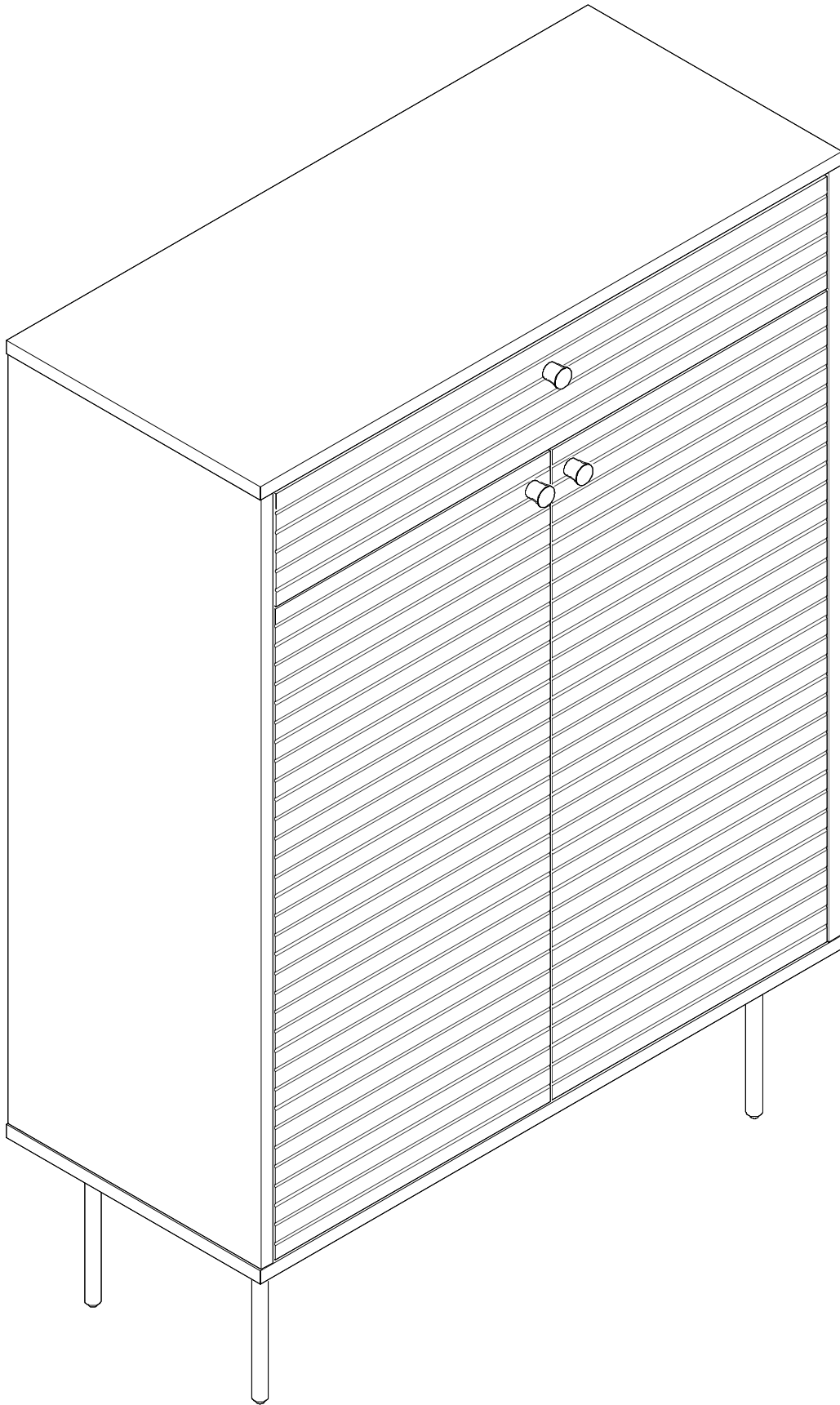
# STEP 15



# STEP 16



# STEP 17



*Finish*