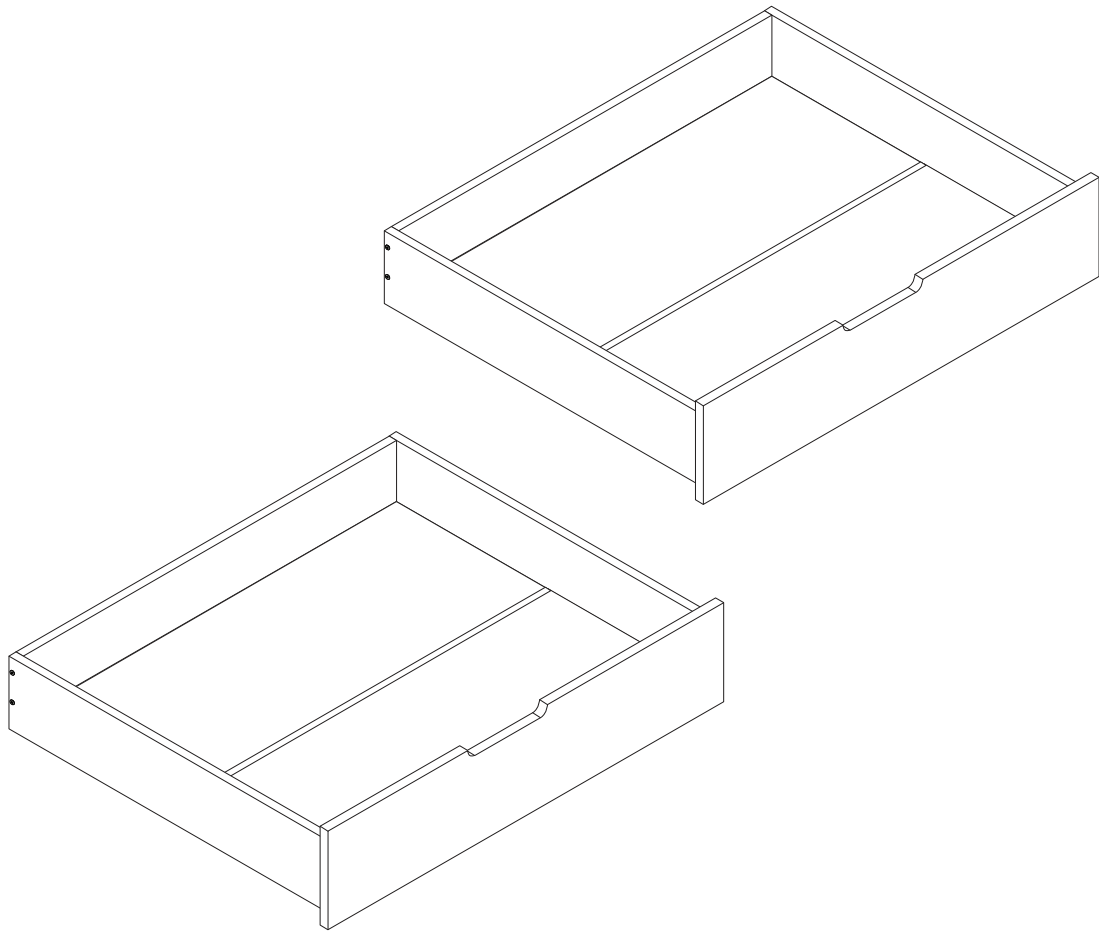


CRONAT



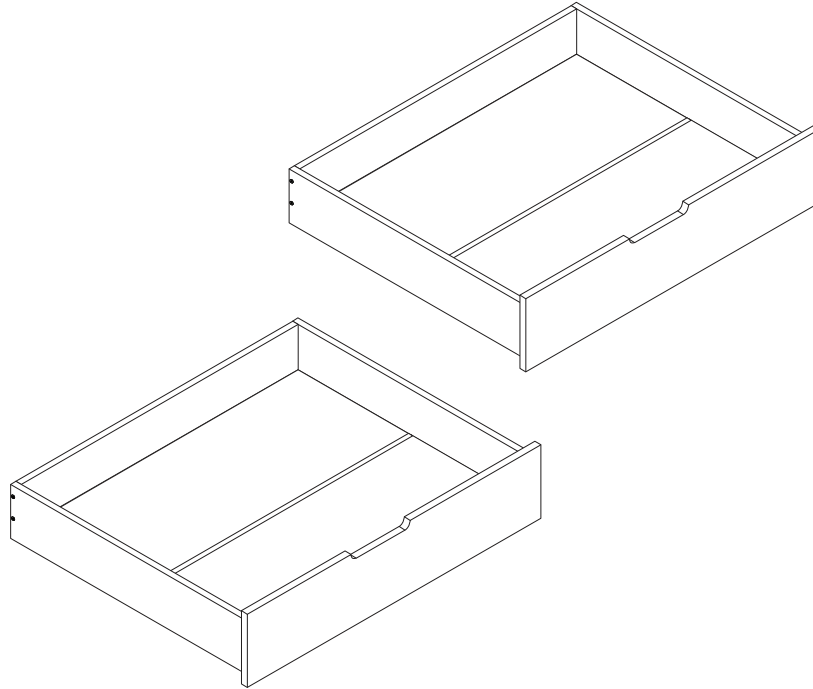
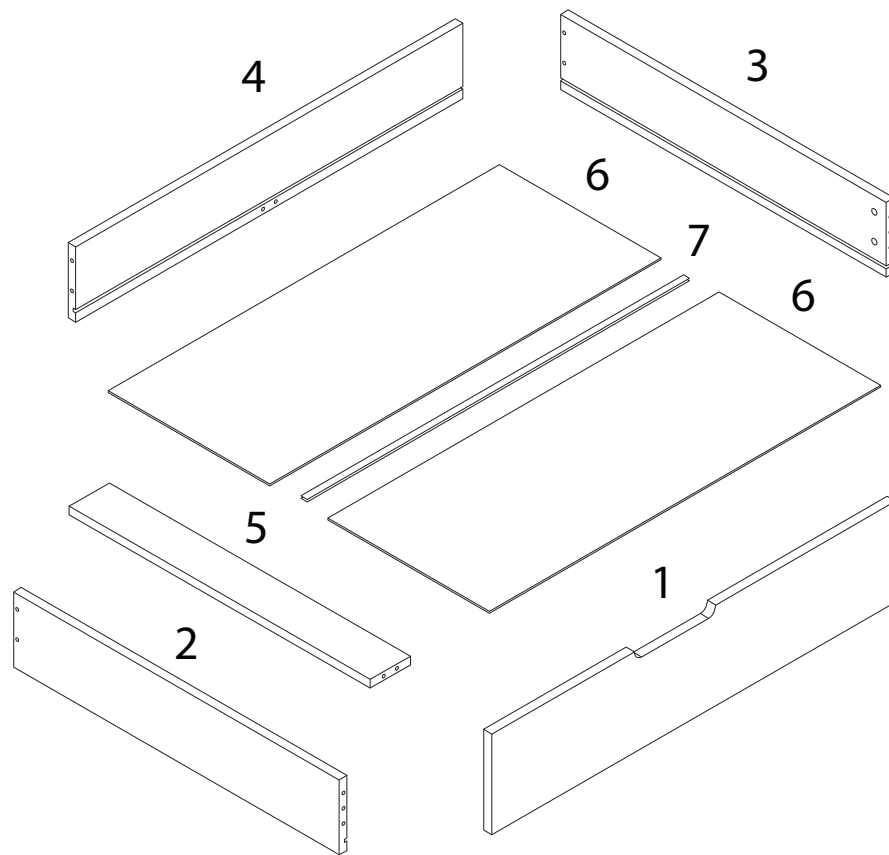
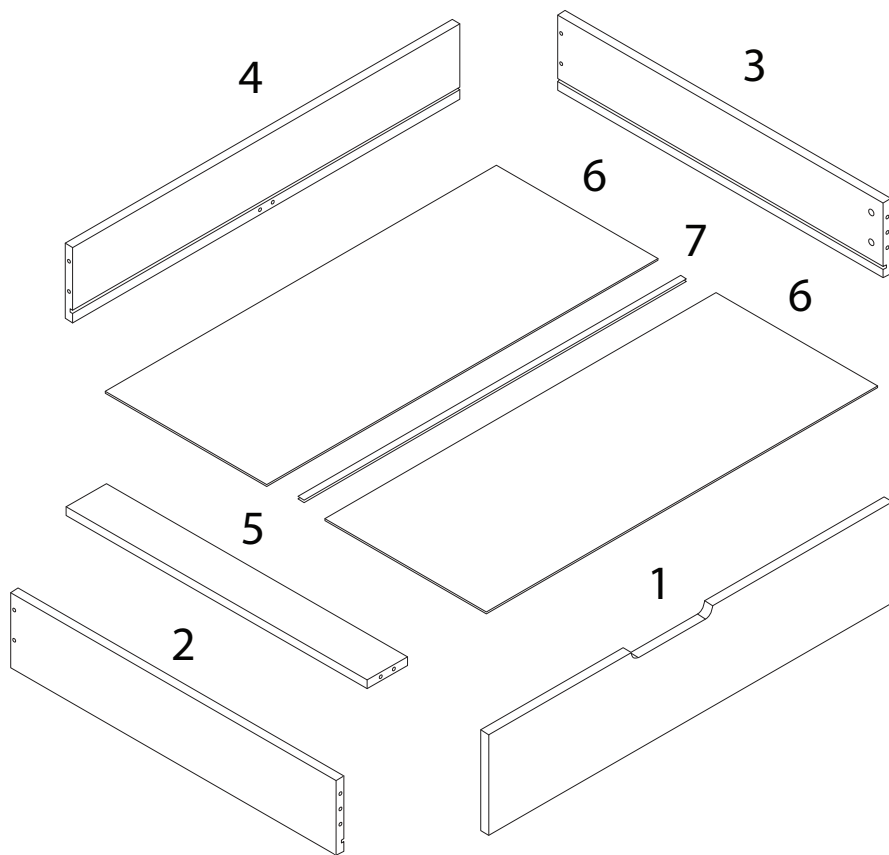
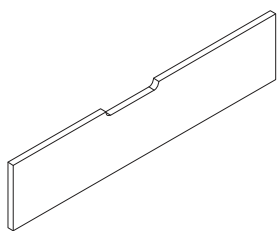


Diagram illustrating assembly instructions and safety warnings:

- Top Panel:** Shows a screwdriver icon and a crossed-out power drill icon, indicating that a screwdriver should be used for assembly and a power drill should not be used. To the right is a warning triangle with an exclamation mark and a clock icon with a circular arrow, indicating a 30-minute assembly time.
- Bottom Panel:** Shows a block being placed on a surface and a crossed-out block with a double-headed arrow, indicating that the block should be placed on a flat surface and not overhanging. To the right is a warning triangle with an exclamation mark and a person icon, indicating that two people are required for assembly.

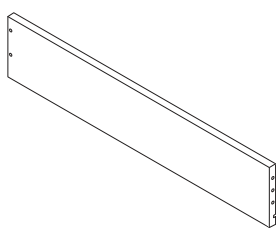


1



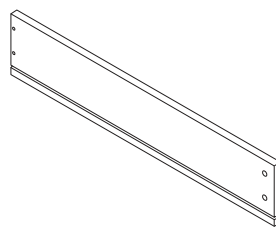
x 2

2



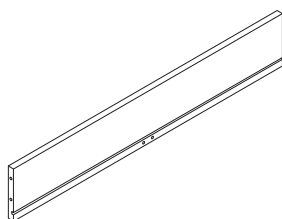
x 2

3



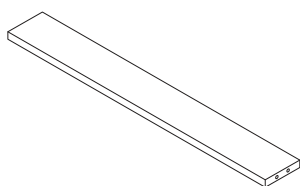
x 2

4



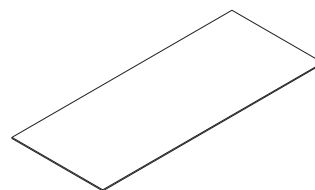
x 2

5



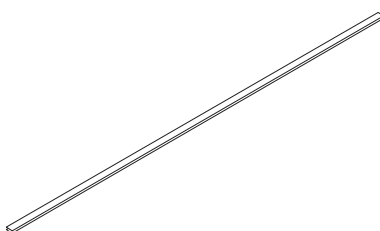
x 2

6



x 4

7



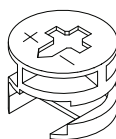
x 2

A



x 12

B



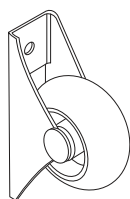
x 12

C



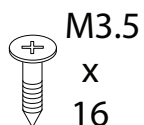
x 8

D



x 4

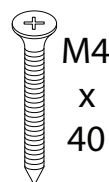
E



M3.5
x
16

x 16

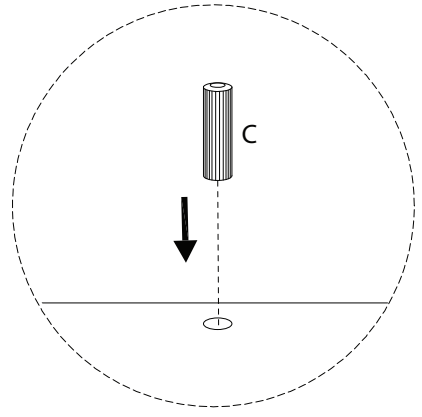
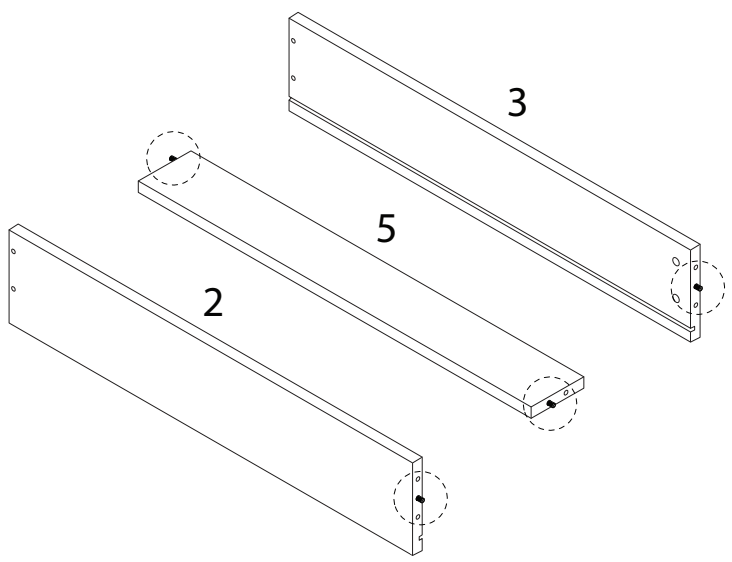
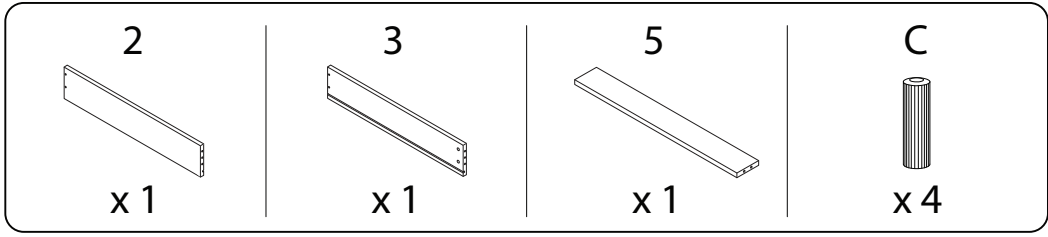
F



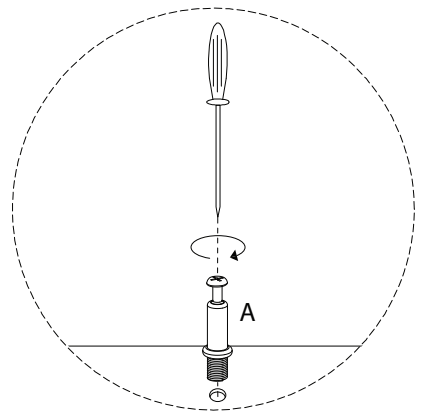
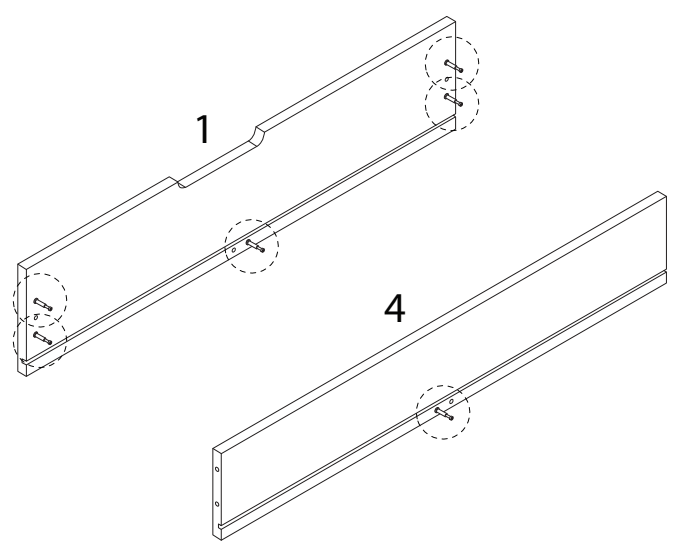
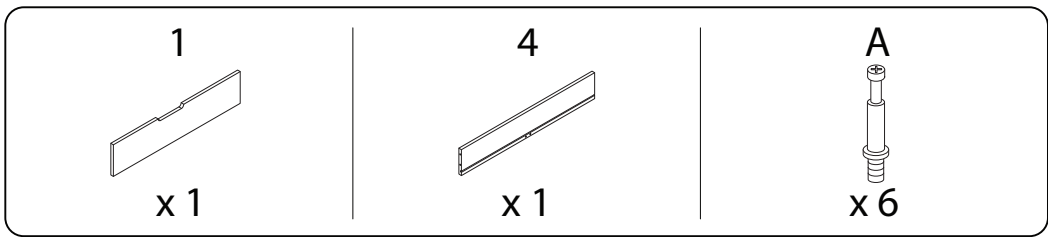
M4
x
40

x 8

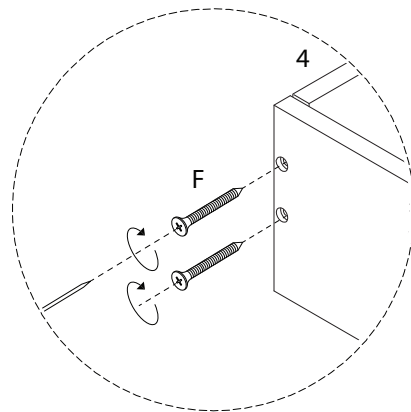
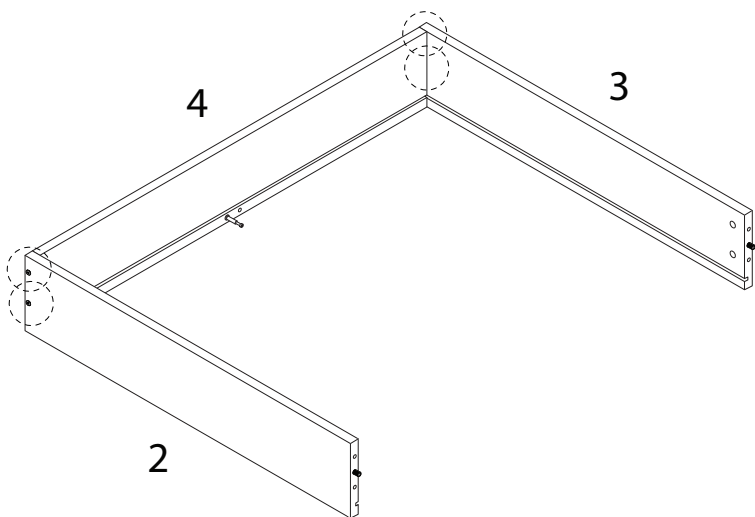
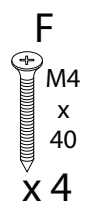
1 x 2



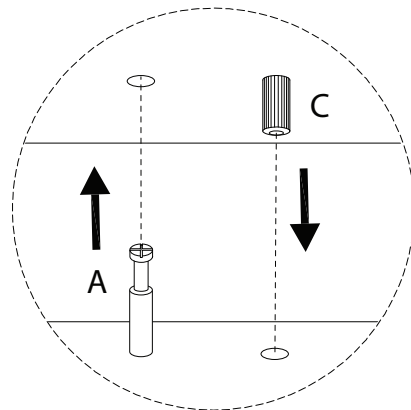
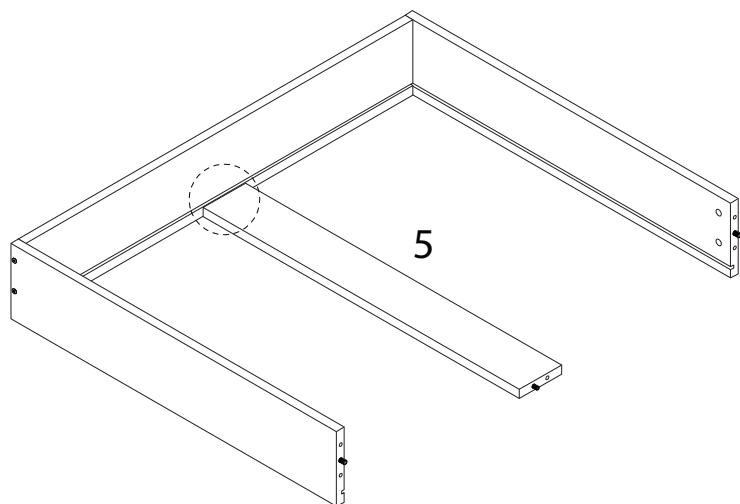
2 x 2



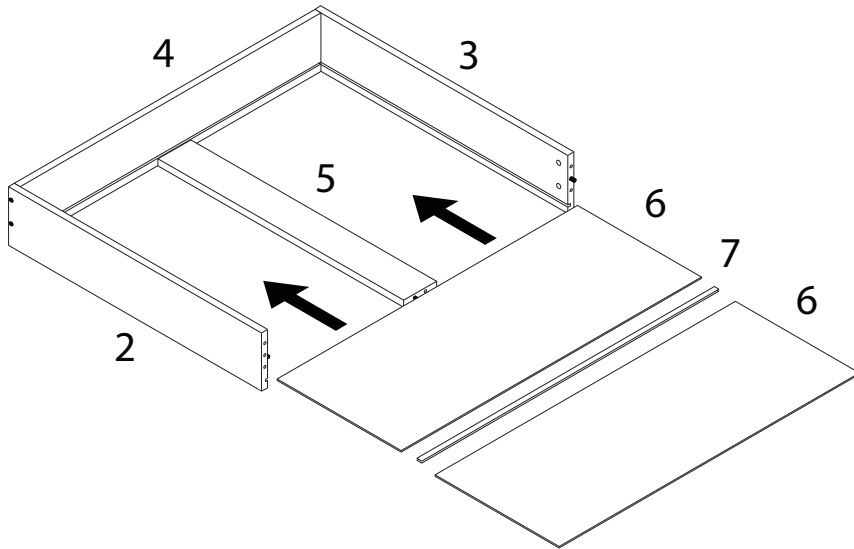
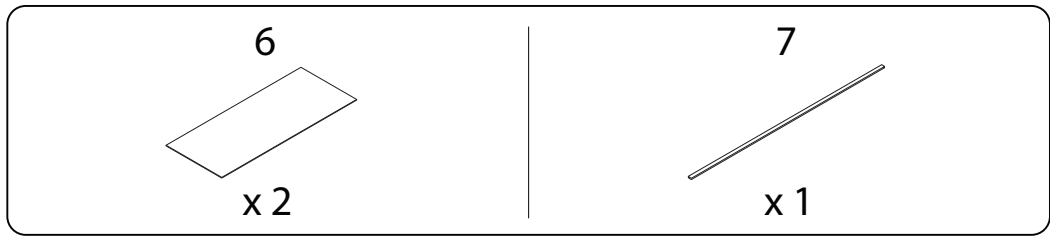
3 x 2



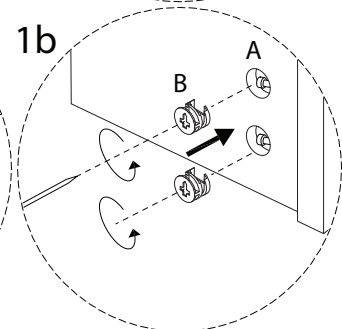
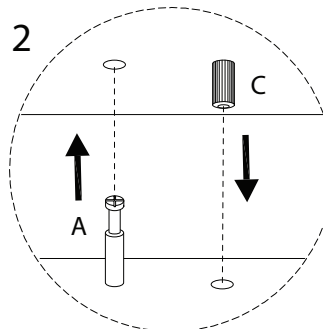
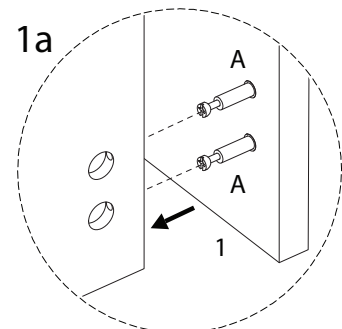
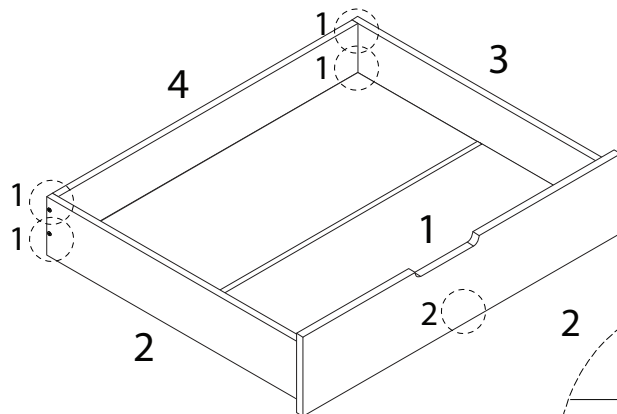
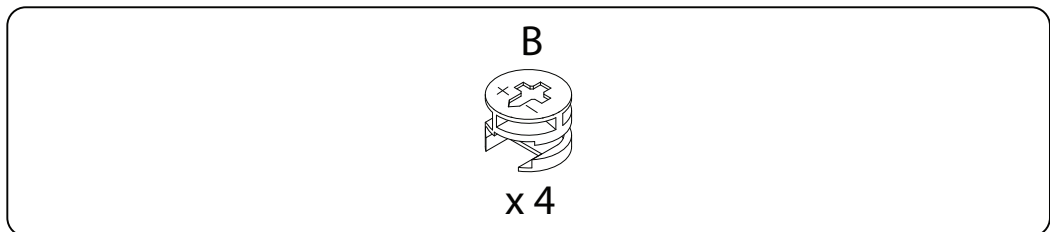
4 x 2



5 x 2



6 x 2

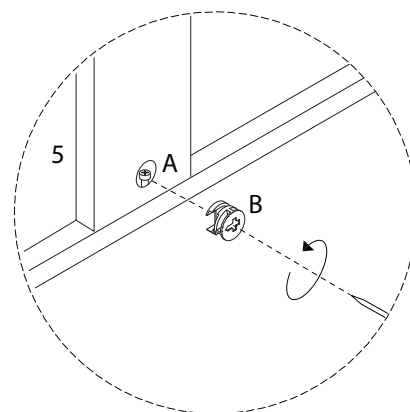
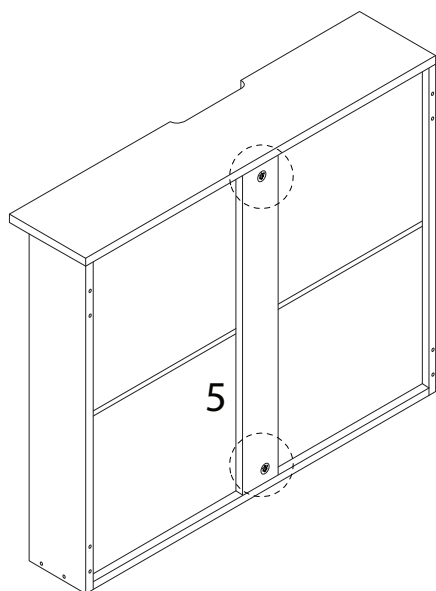


7 x 2

B



x 2



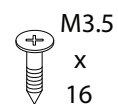
8 x 2

D



x 4

E



M3.5
x
16

x 8

