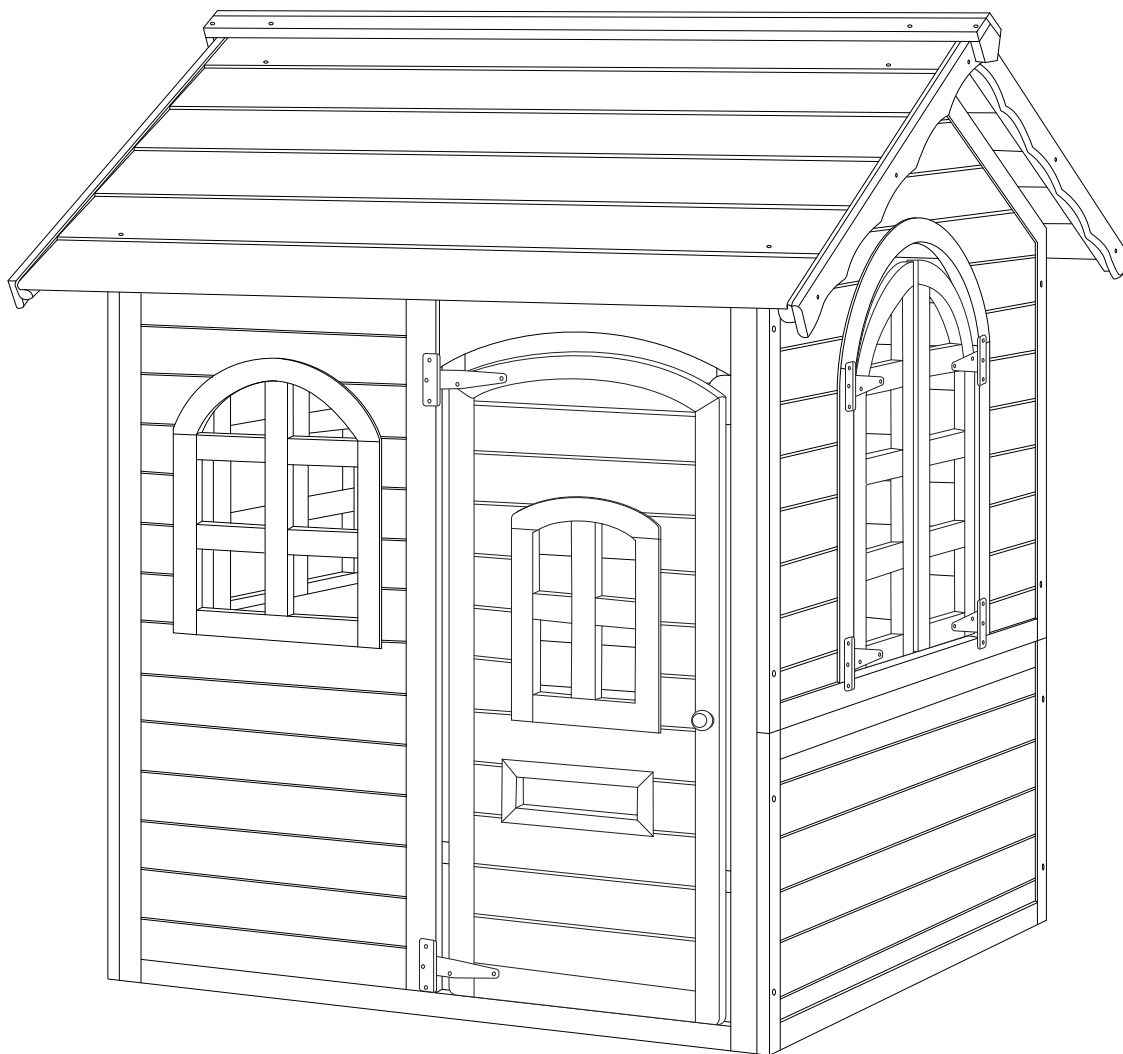
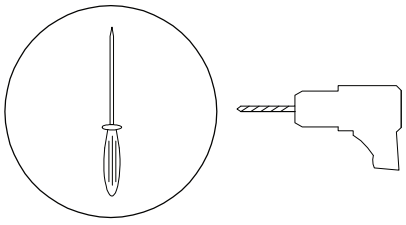

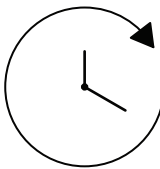
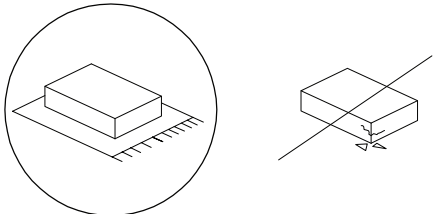




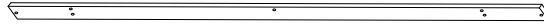
KOKKONI





		
		90'
		
		2

12

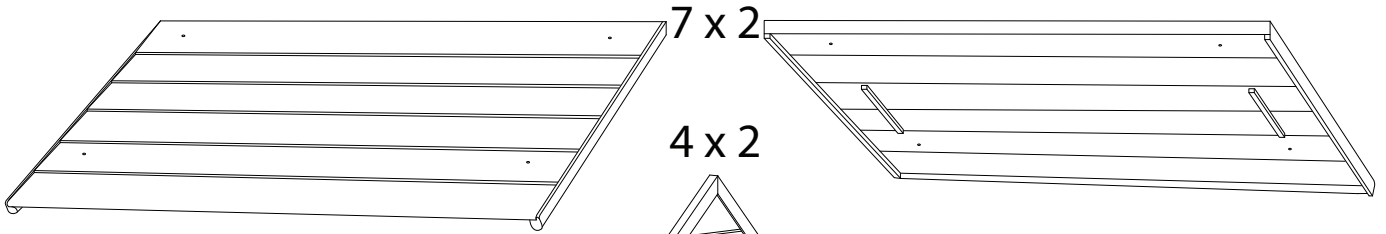


13

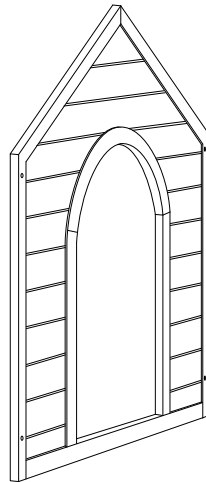
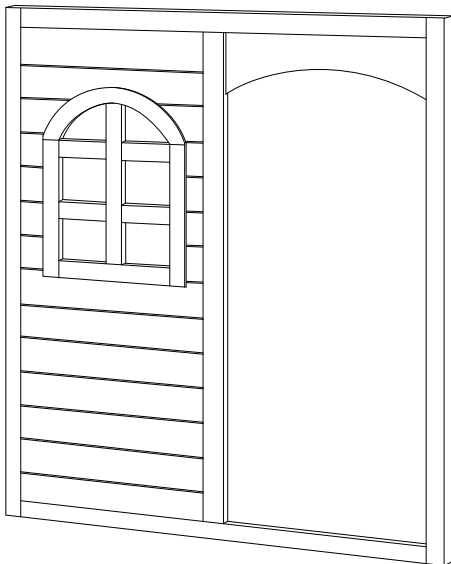


14

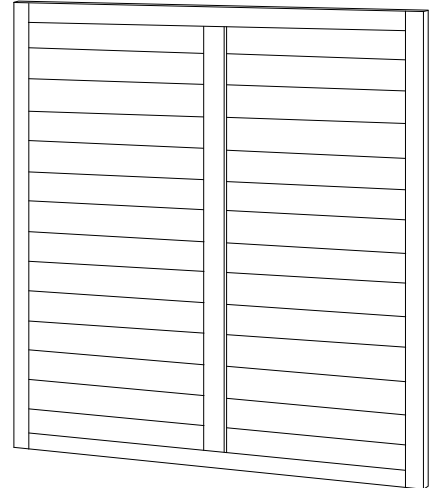
14



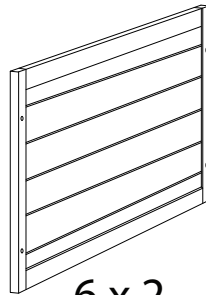
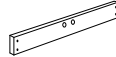
1



3



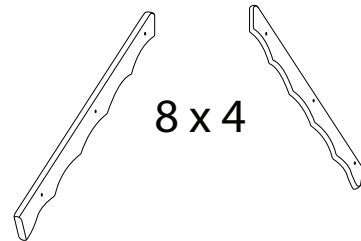
10 x 2



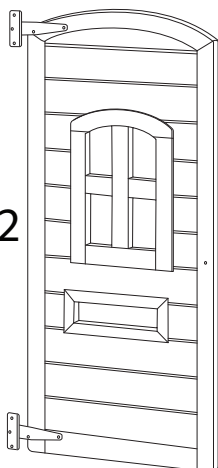
9

6 x 2

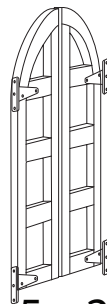
8 x 4



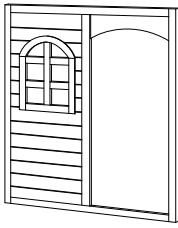
2



5 x 2

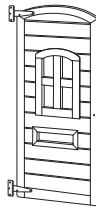


1



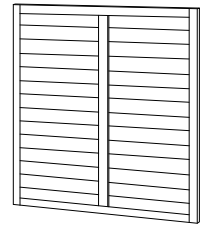
x 1

2



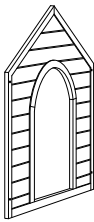
x 1

3



x 1

4



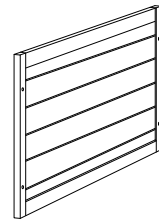
x 2

5



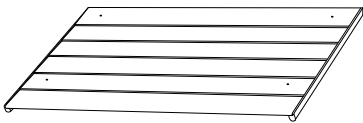
x 2

6



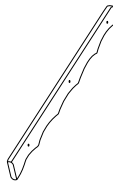
x 2

7



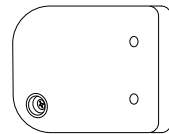
x 2

8



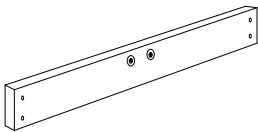
x 4

9



x 1

10



x 2

11



x 2

12



x 1

13



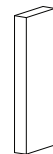
x 1

14



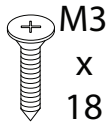
x 2

15



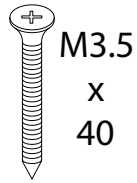
x 2

A



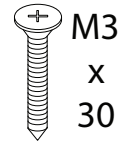
x 30

B



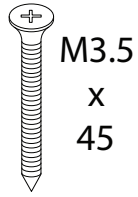
x 1

C



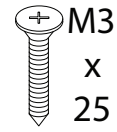
x 30

D



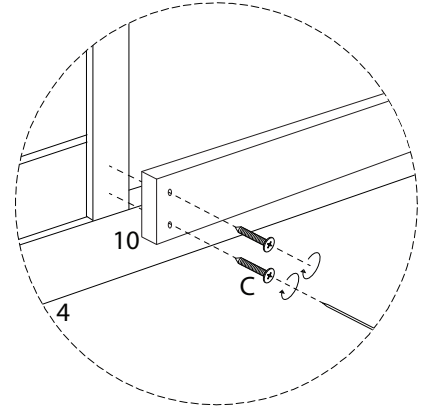
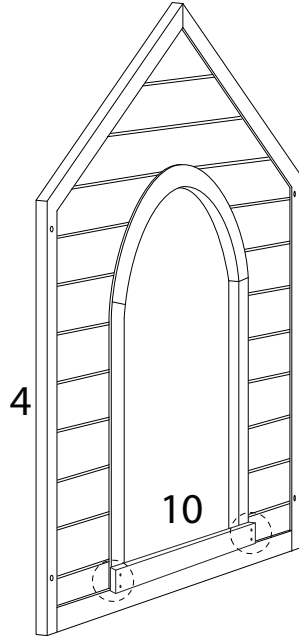
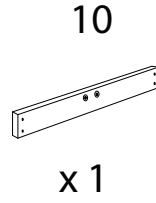
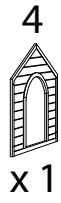
x 16

E

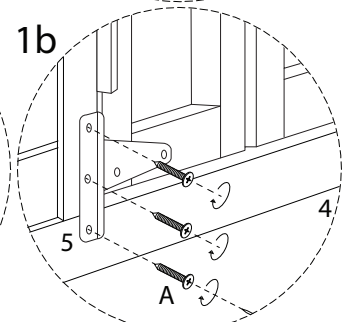
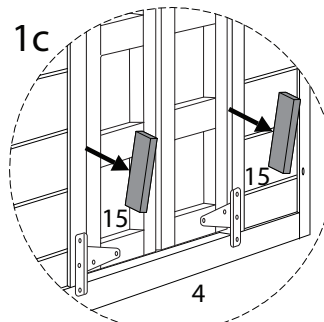
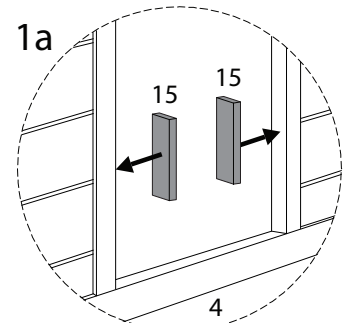
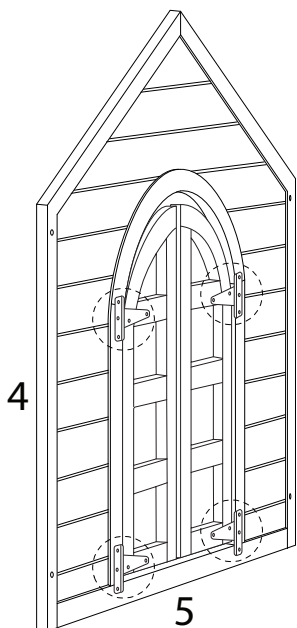
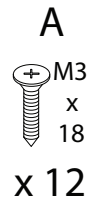
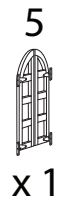


x 11

1 x 2

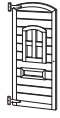


2 x 2



3

2



x 1

11

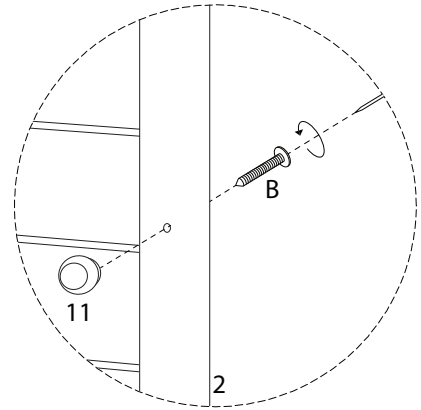
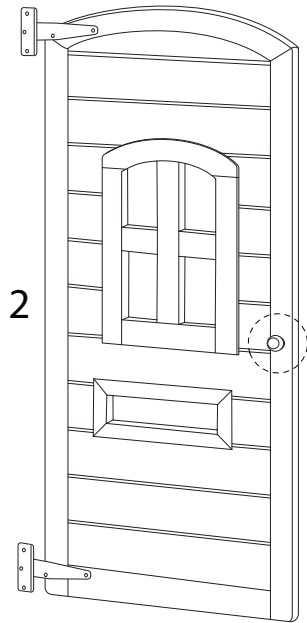


x 1

B

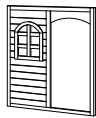


x 1



4

1



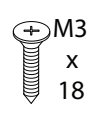
x 1

15

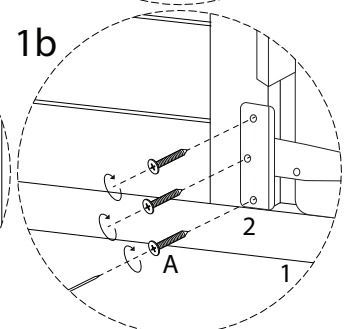
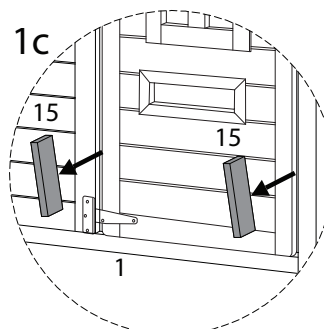
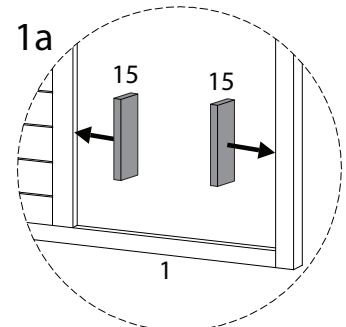
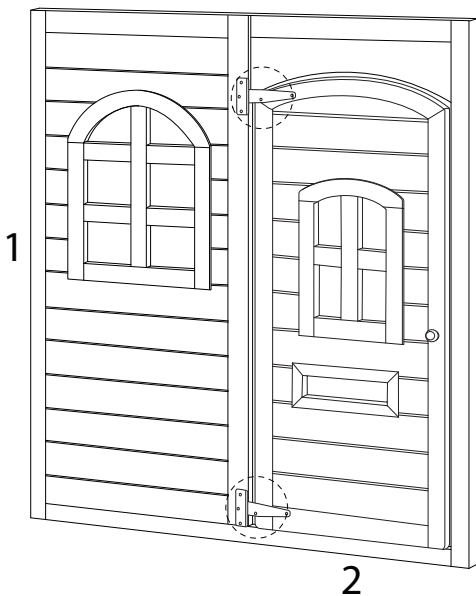


x 1

A



x 6



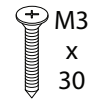
5

9



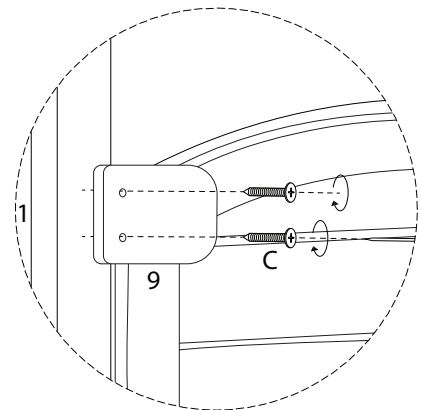
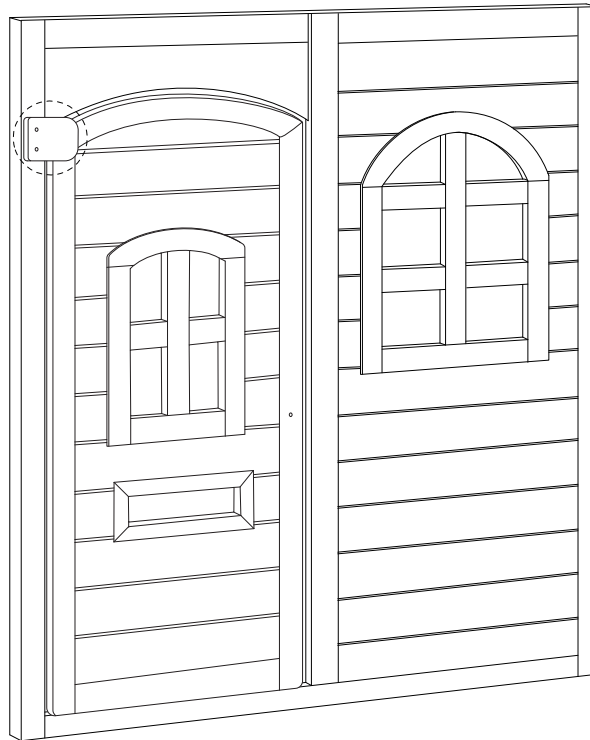
x 1

C

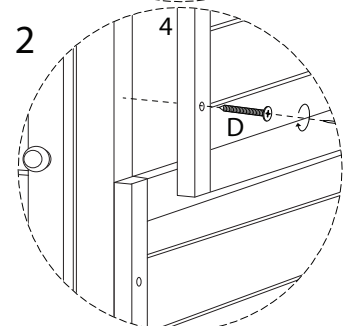
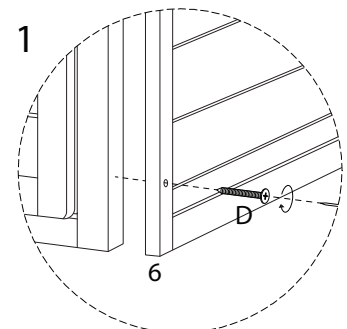
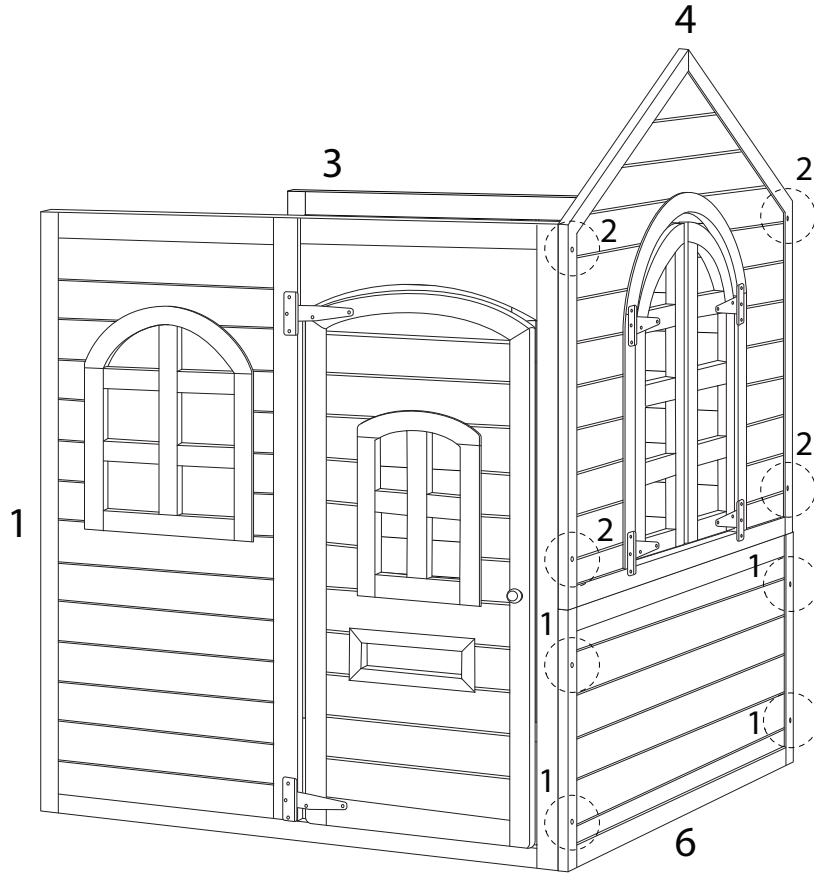
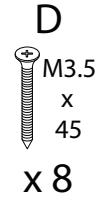
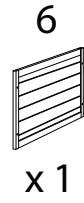


x 2

1

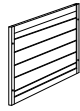


6



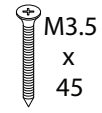
7

6

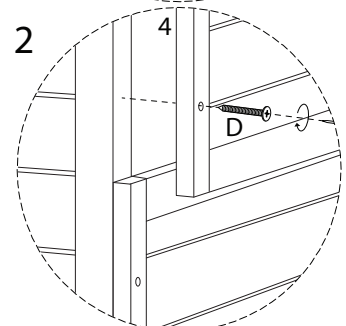
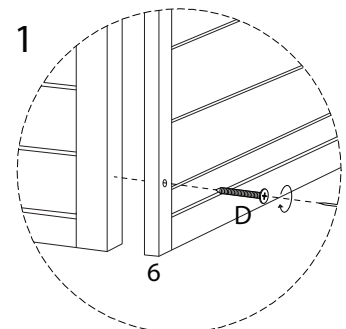
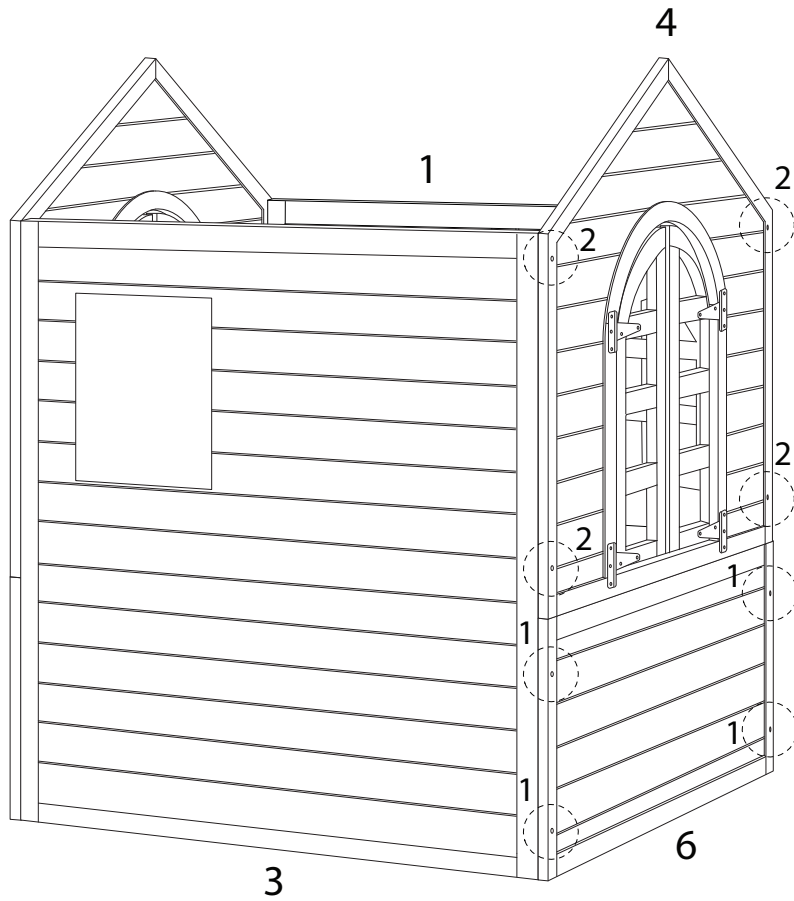


x 1

D



x 8



8

7

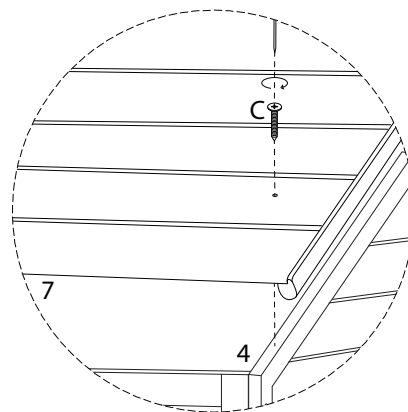
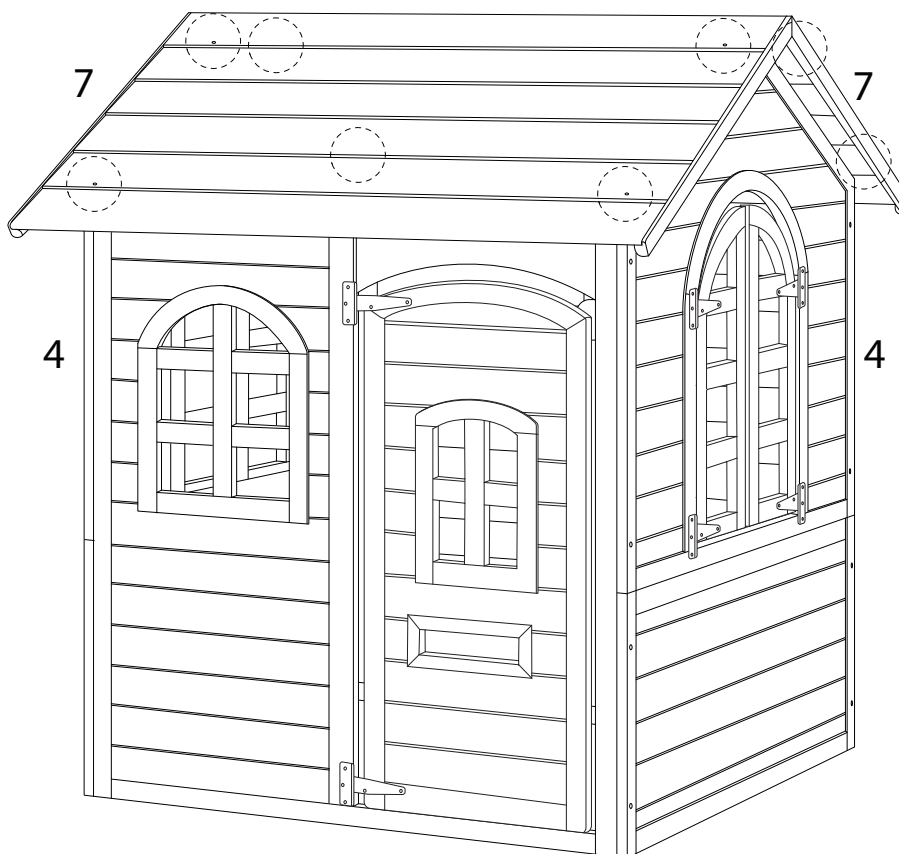


x 2

C



x 8



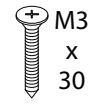
9

8

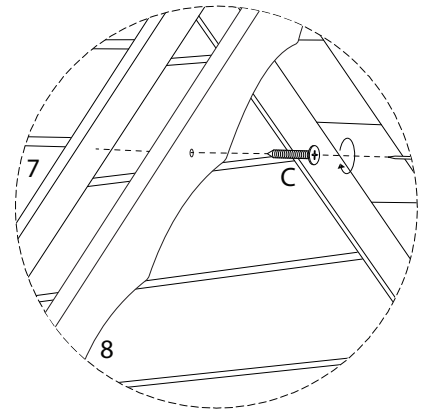
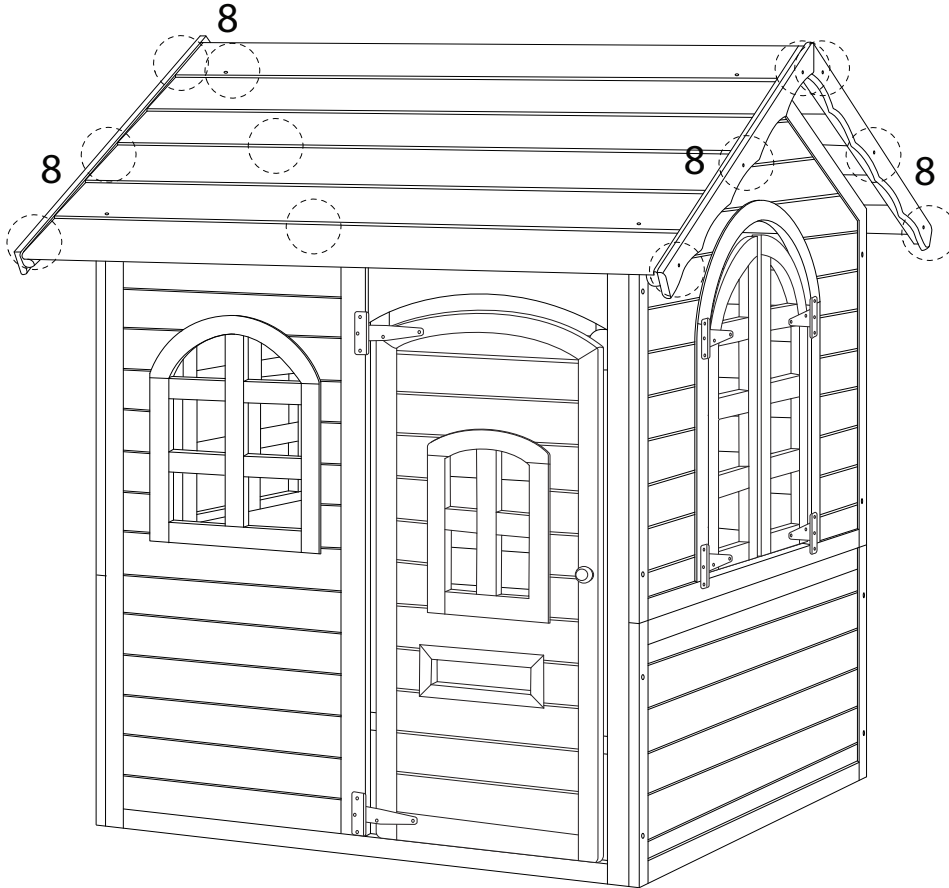


x 4




C

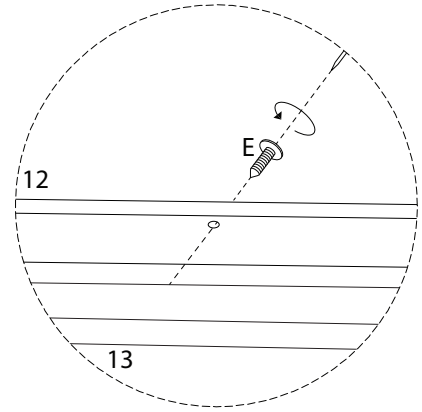
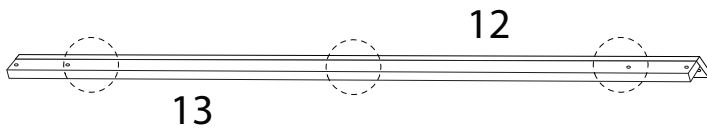


x 12





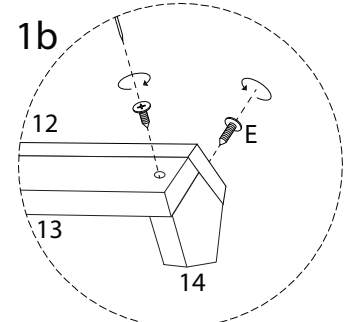
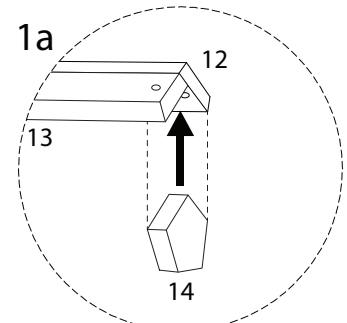
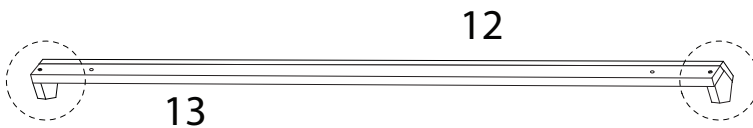
10

12  x 1	13  x 1	E  M3 x 25 x 3
--	--	---



11

14  x 2	E  M3 x 25 x 4
--	---



12

E

M3
x
25
x 4

