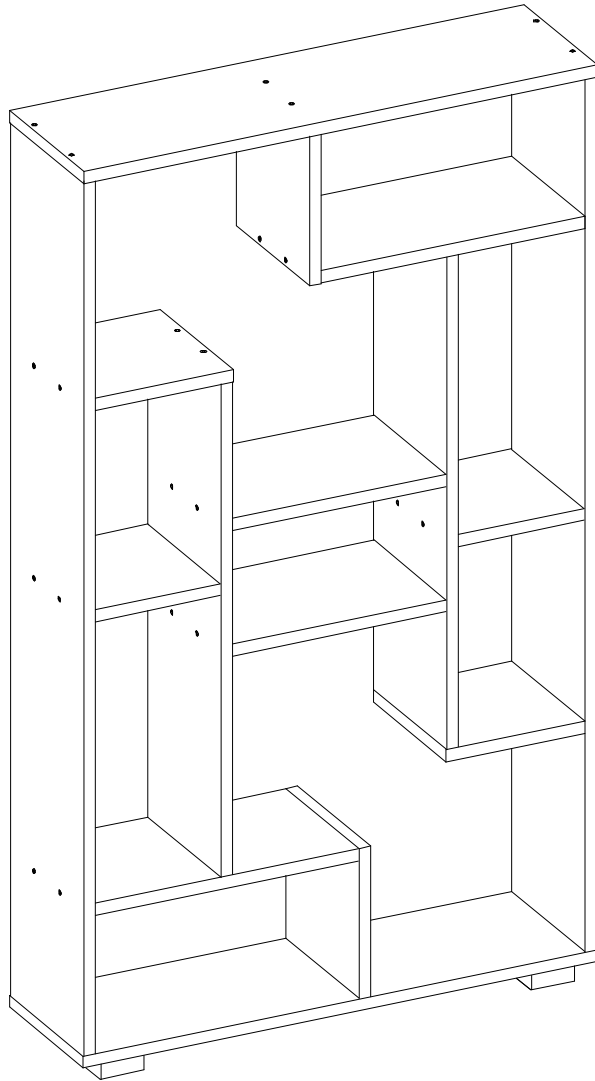
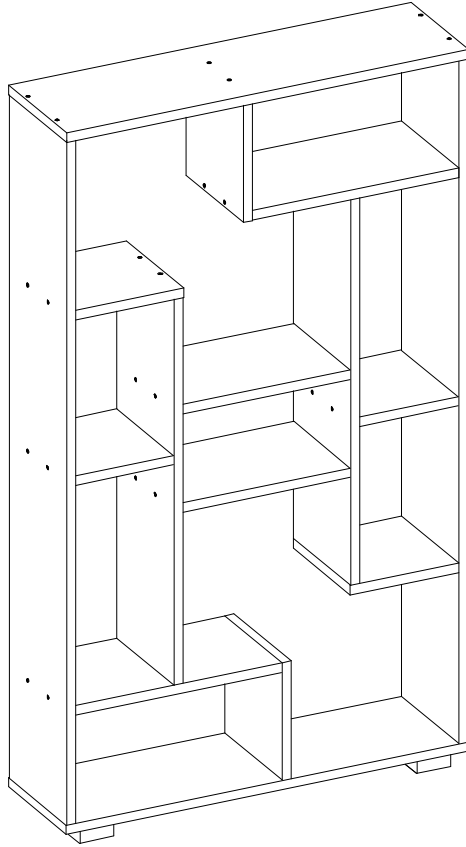


ALMA

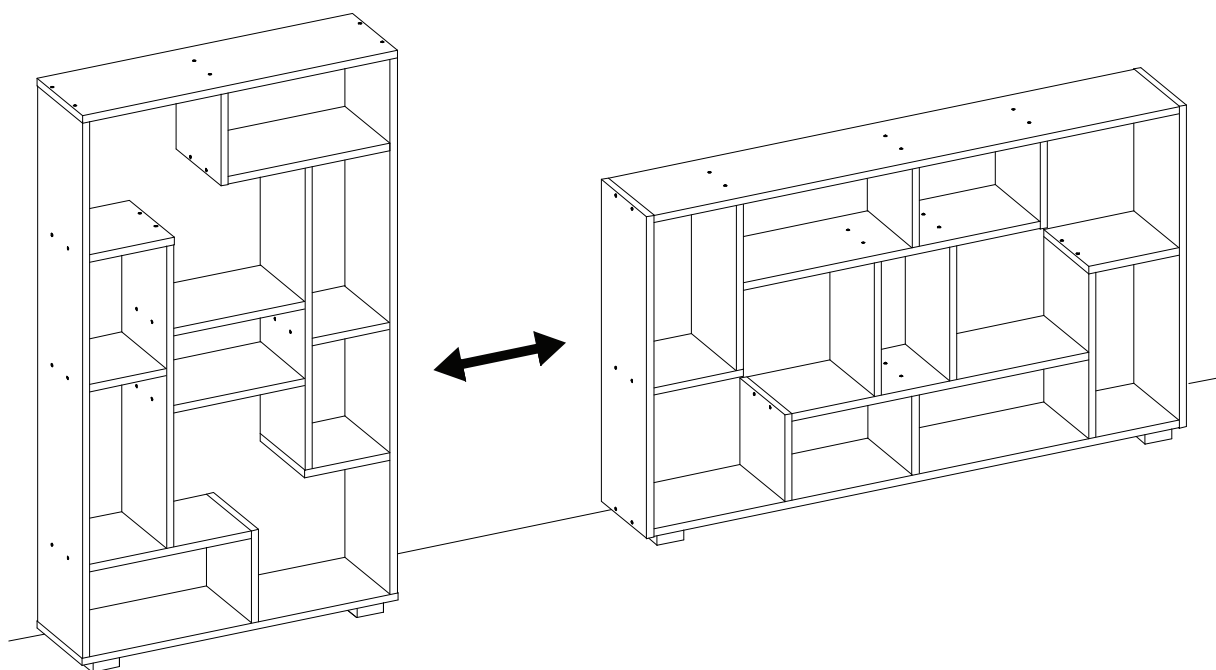




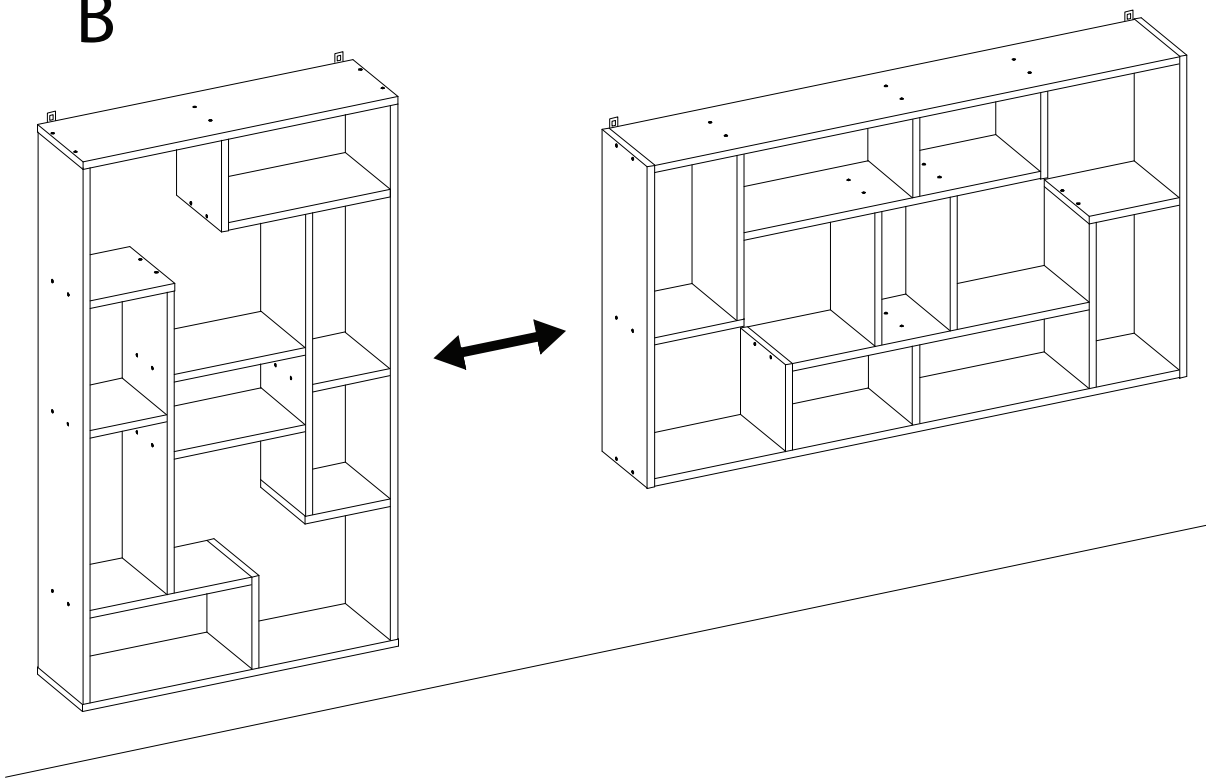
Assembly instructions for step 1/12:

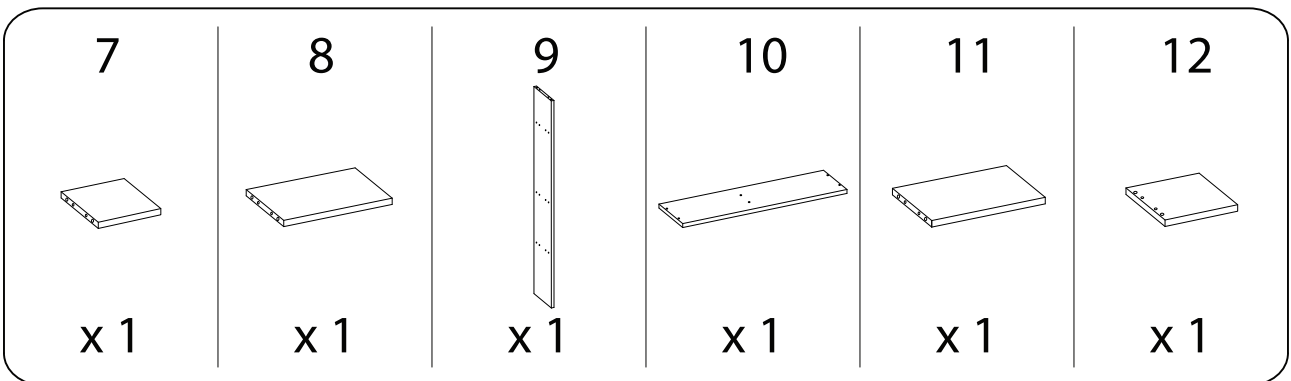
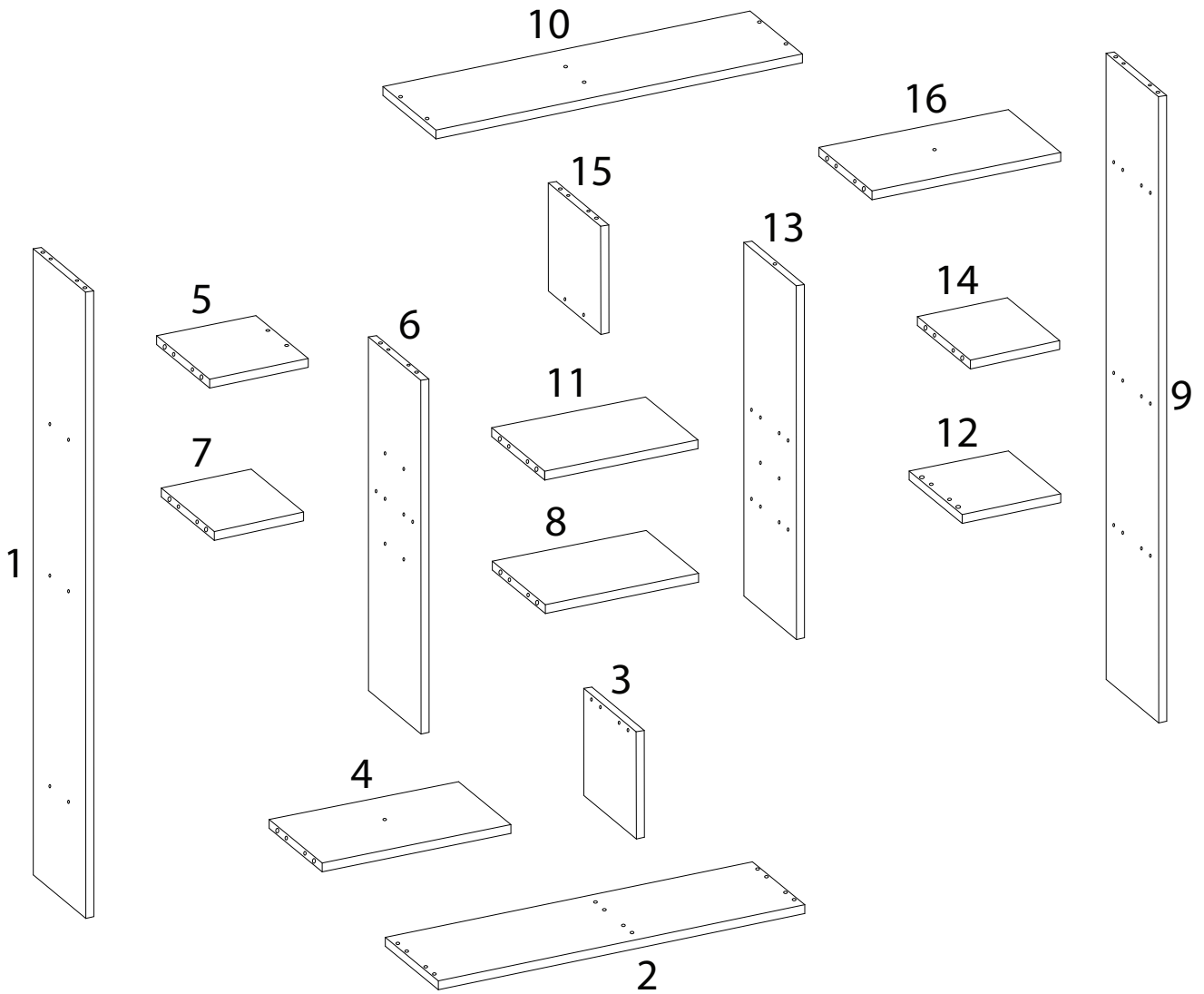
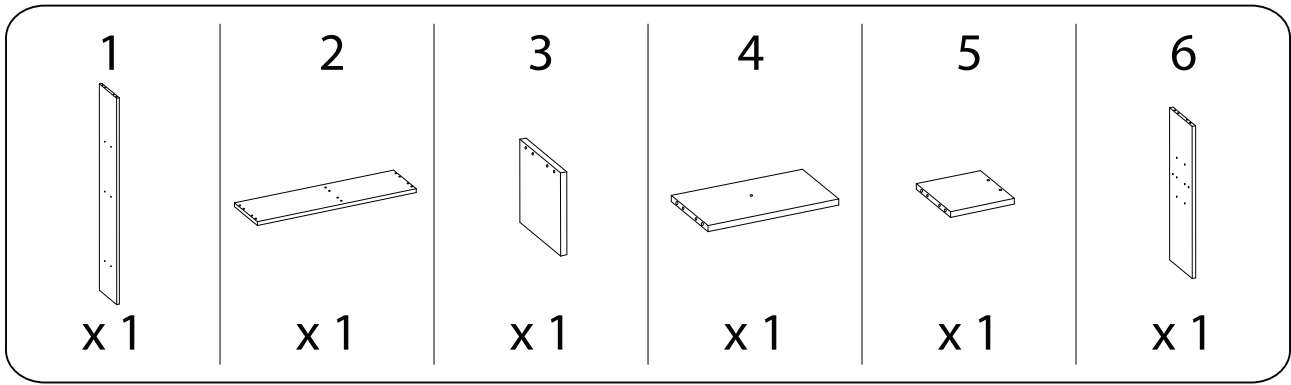
- Tools:** A circular icon contains a screwdriver and a power drill. A power drill is shown next to it.
- Warning:** A triangle with an exclamation mark.
- Time:** A clock icon with a circular arrow, labeled "60'".
- Personnel:** A person icon labeled "2".
- Diagram:** A circular icon shows a rectangular panel being placed on a surface. A second diagram shows the panel being secured with a screw from the bottom.
- Warning:** A second triangle with an exclamation mark.

A



B



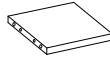


13



x 1

14



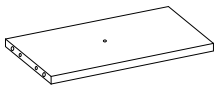
x 1

15



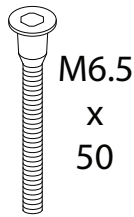
x 1

16



x 1

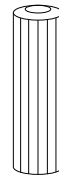
A



x 46

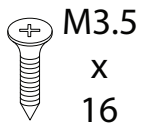
M6.5
x
50

B



x 44

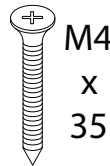
E



x 2

M3.5
x
16

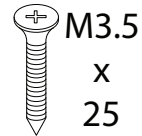
EG



x 8

M4
x
35

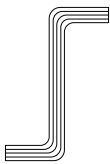
E6



x 6

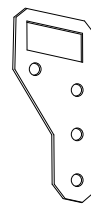
M3.5
x
25

G



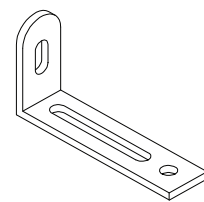
x 1

M



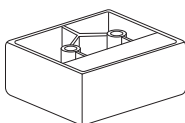
x 2

W



x 1

X



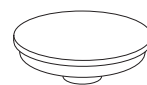
x 4

Z3



x 23

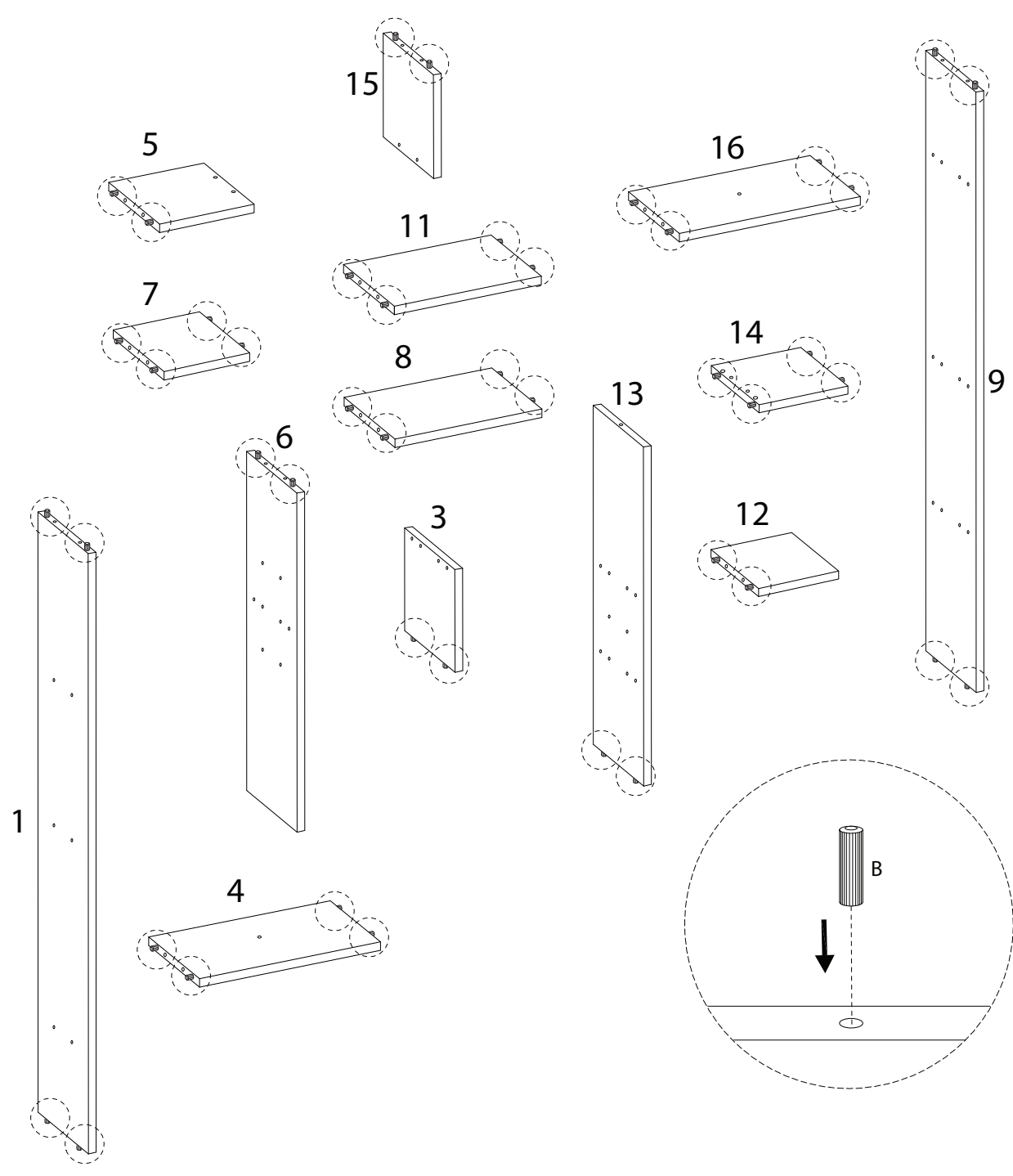
Z4



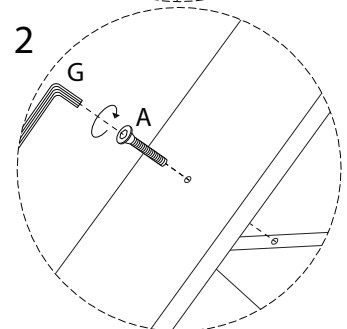
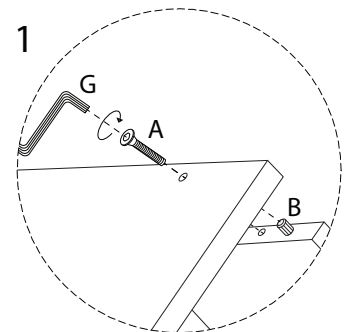
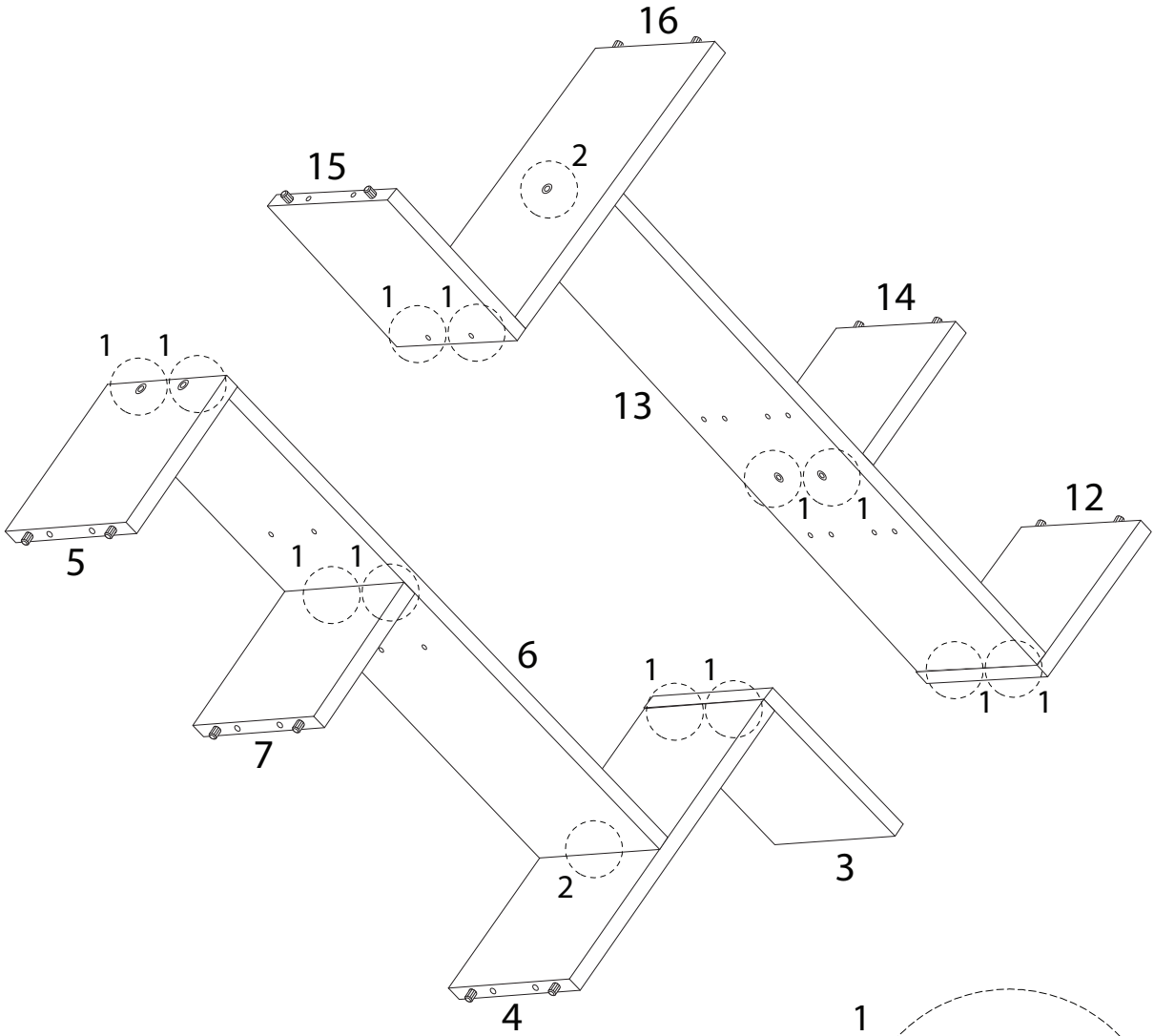
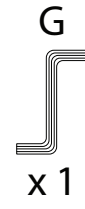
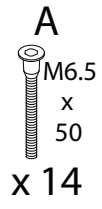
x 23

1

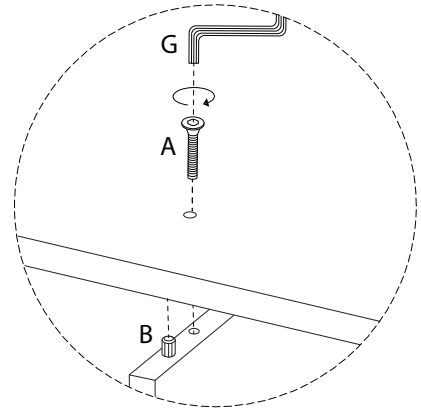
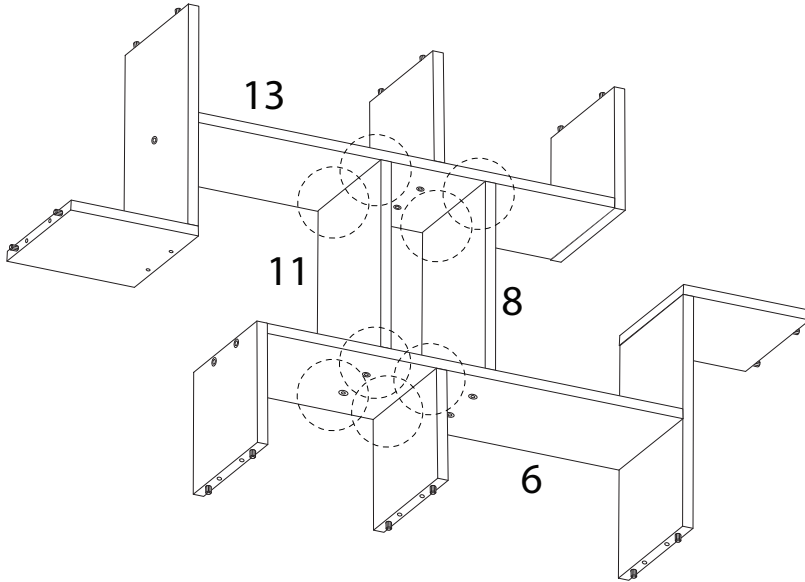
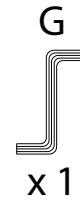
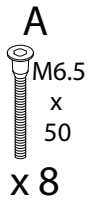
1 x 1	3 x 1	4 x 1	5 x 1	6 x 1	7 x 1	8 x 1	9 x 1
11 x 1	12 x 1	13 x 1	14 x 1	15 x 1	16 x 1	B x 44	



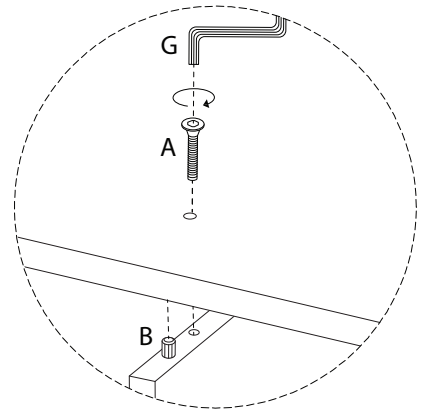
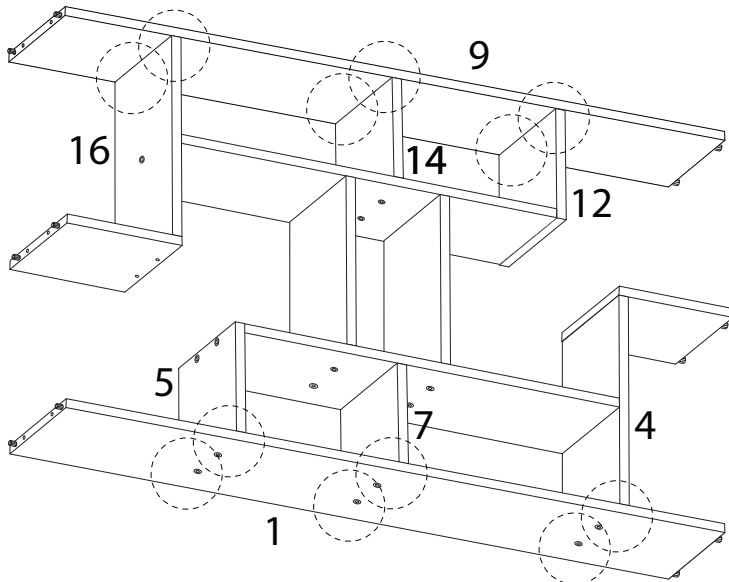
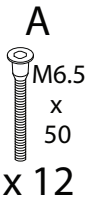
2



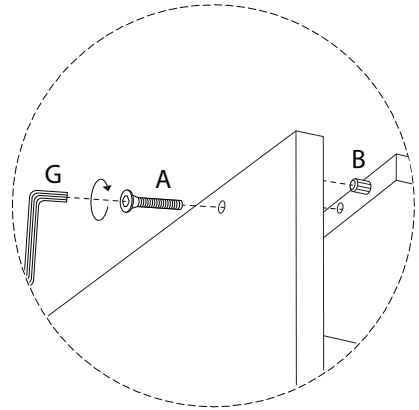
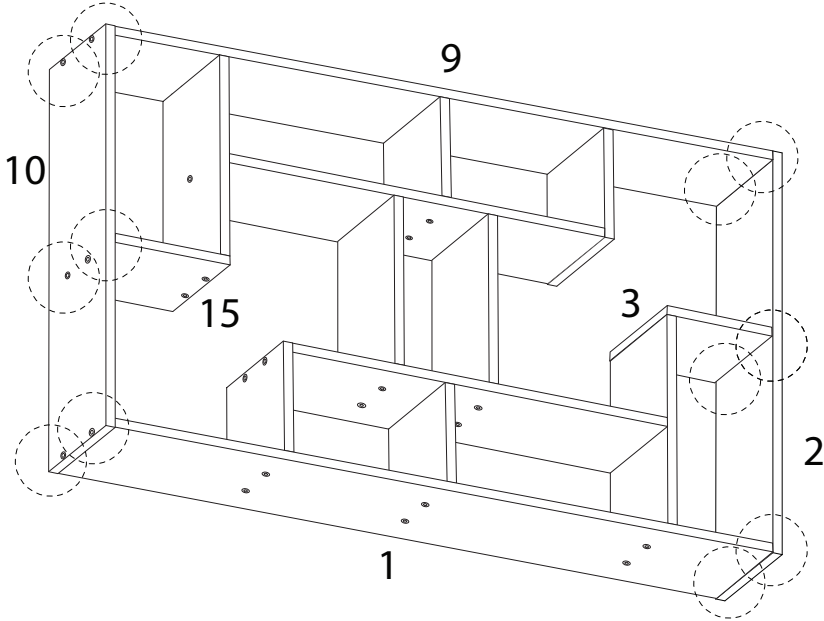
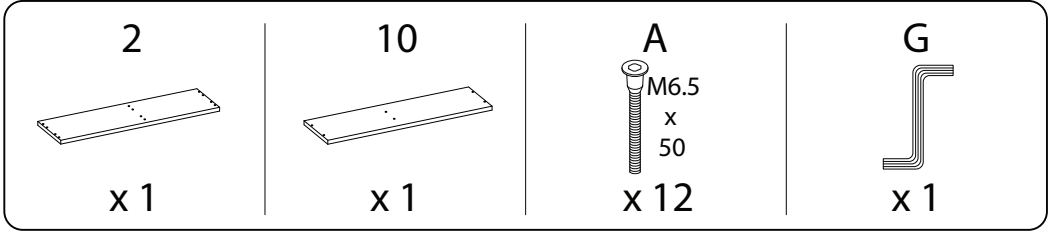
3



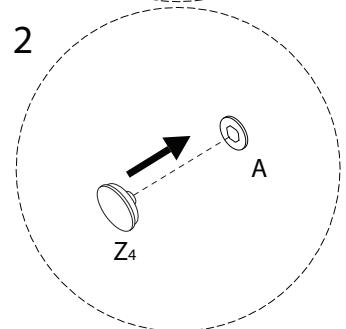
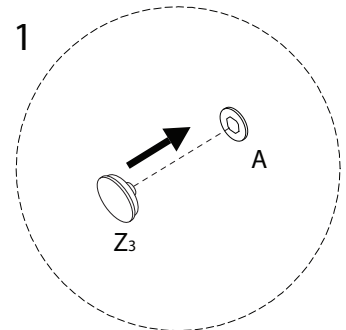
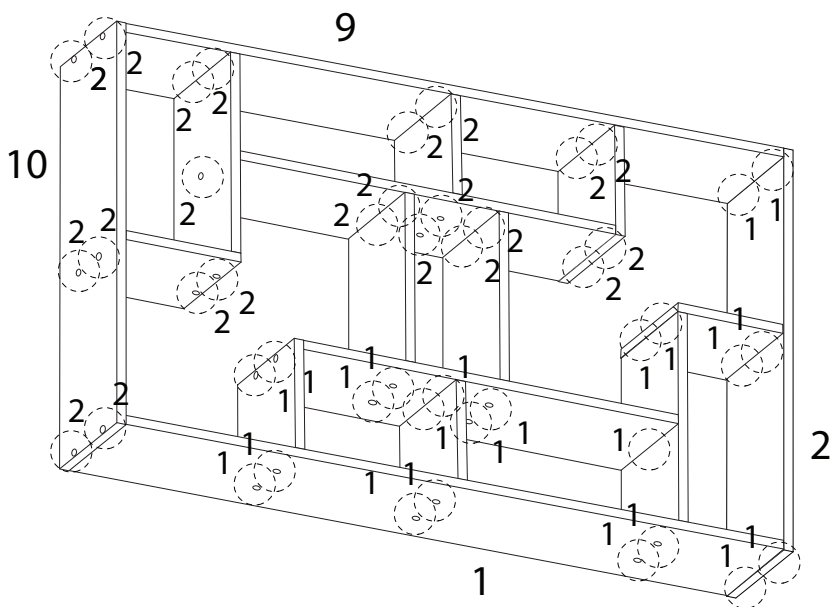
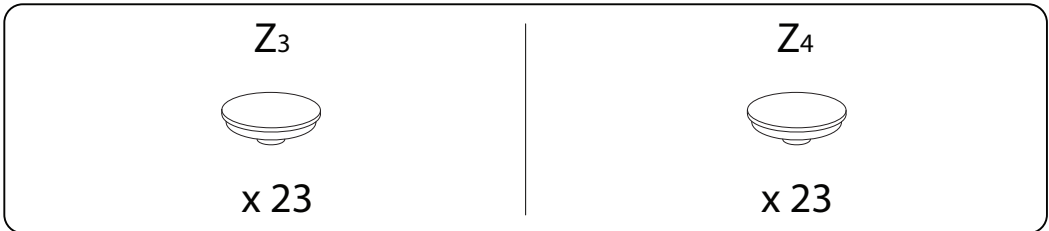
4



5

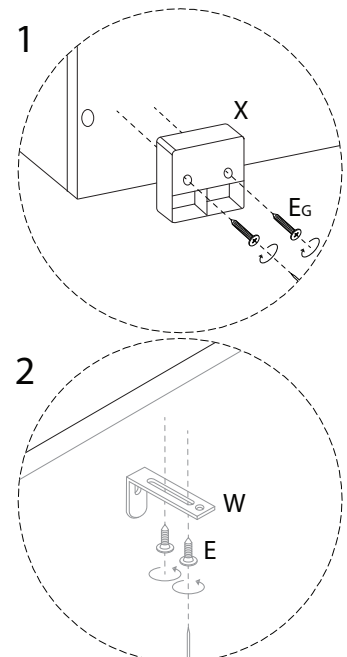
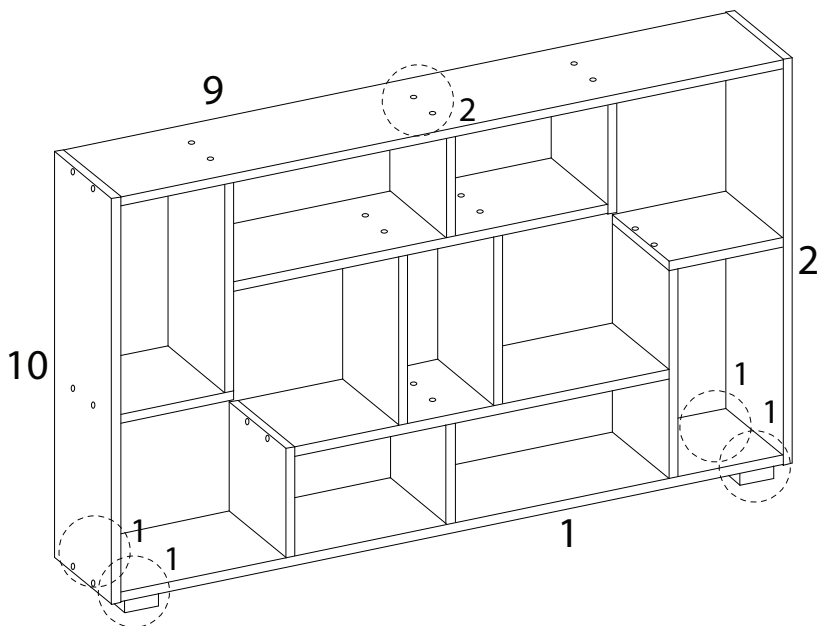
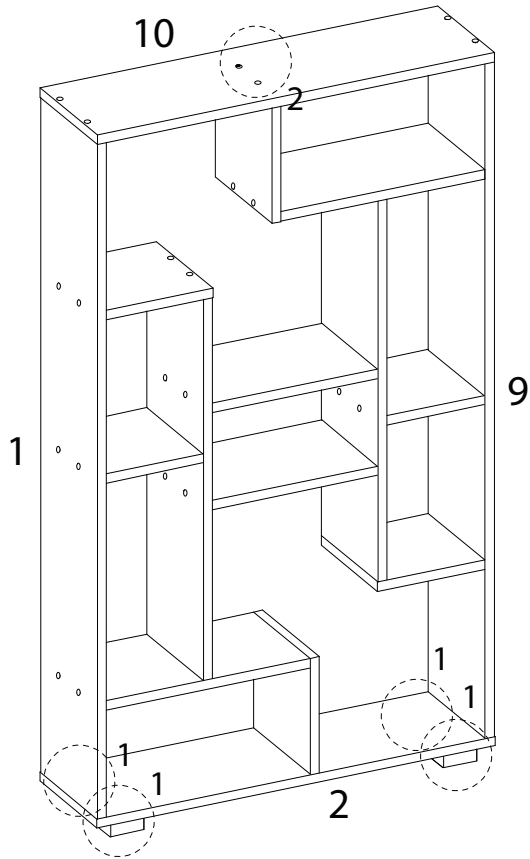
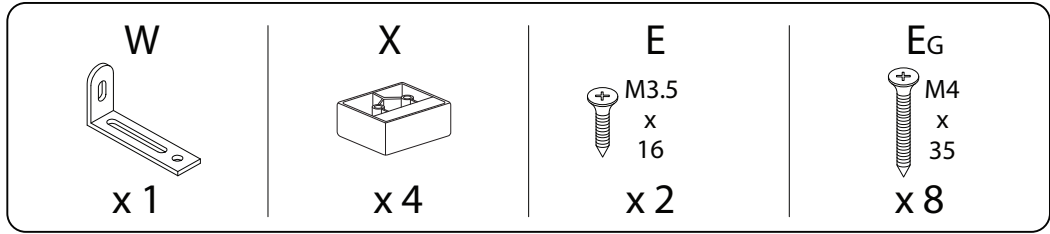


6

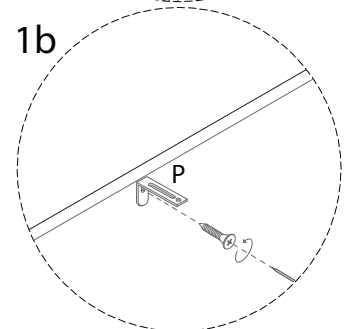
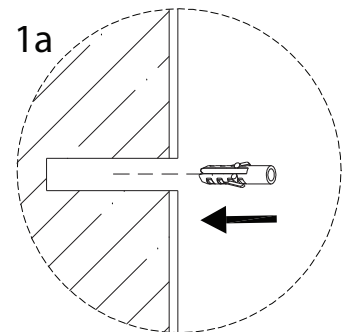
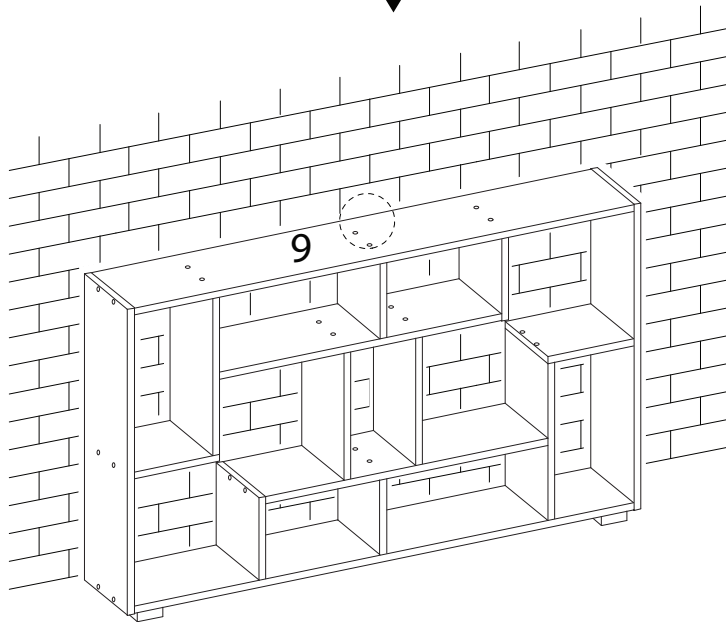
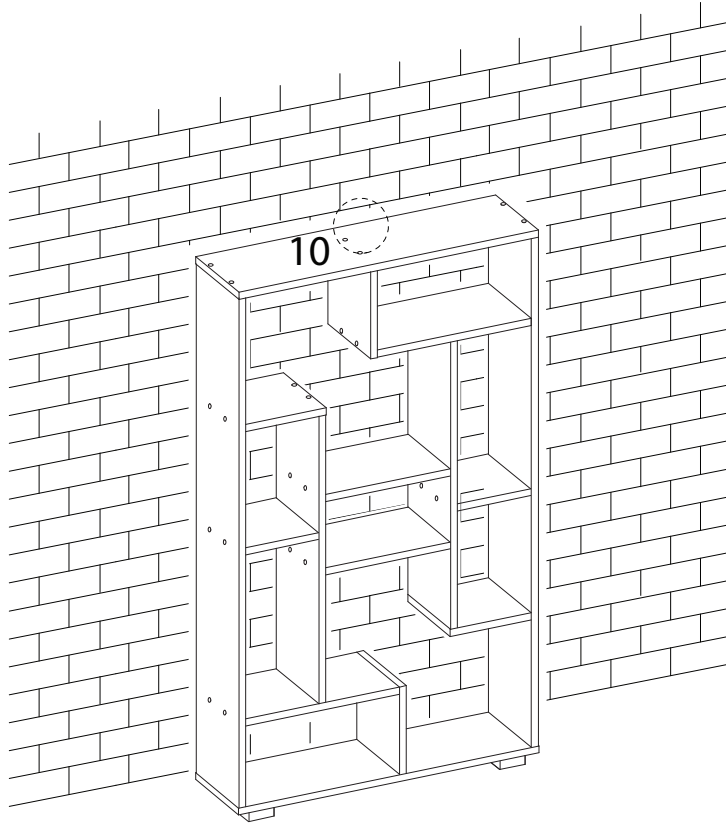


A

7

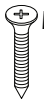
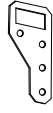


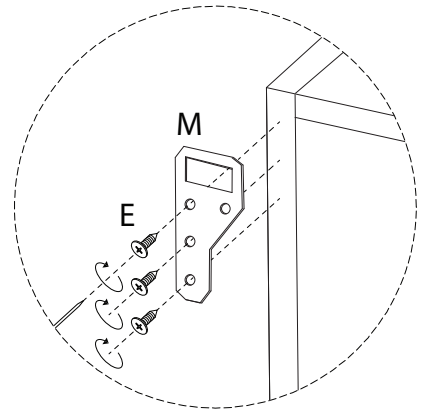
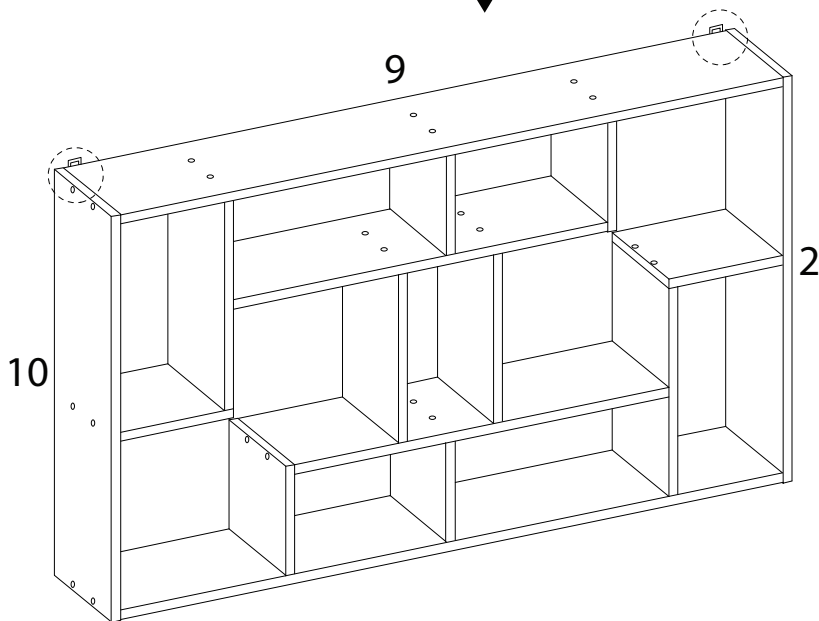
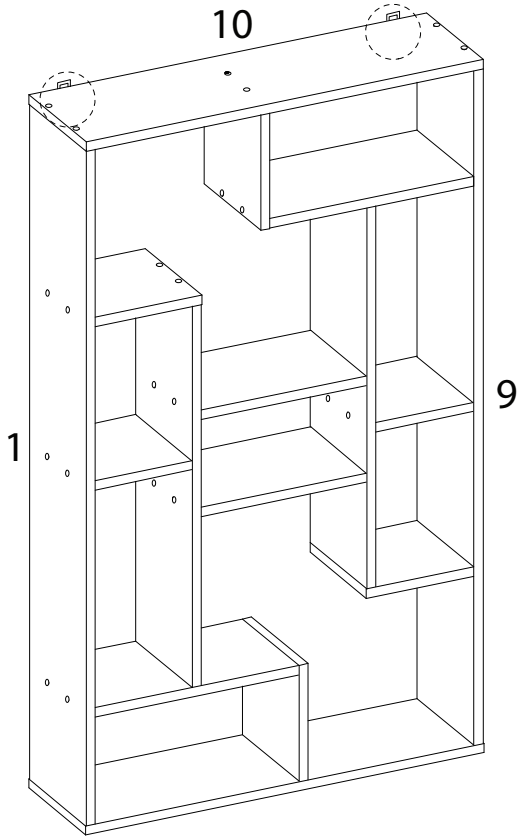
8



B

7

<p>E₆</p>  <p>M3.5 x 25 x 8</p>	<p>M</p>  <p>x 2</p>
--	--



8

