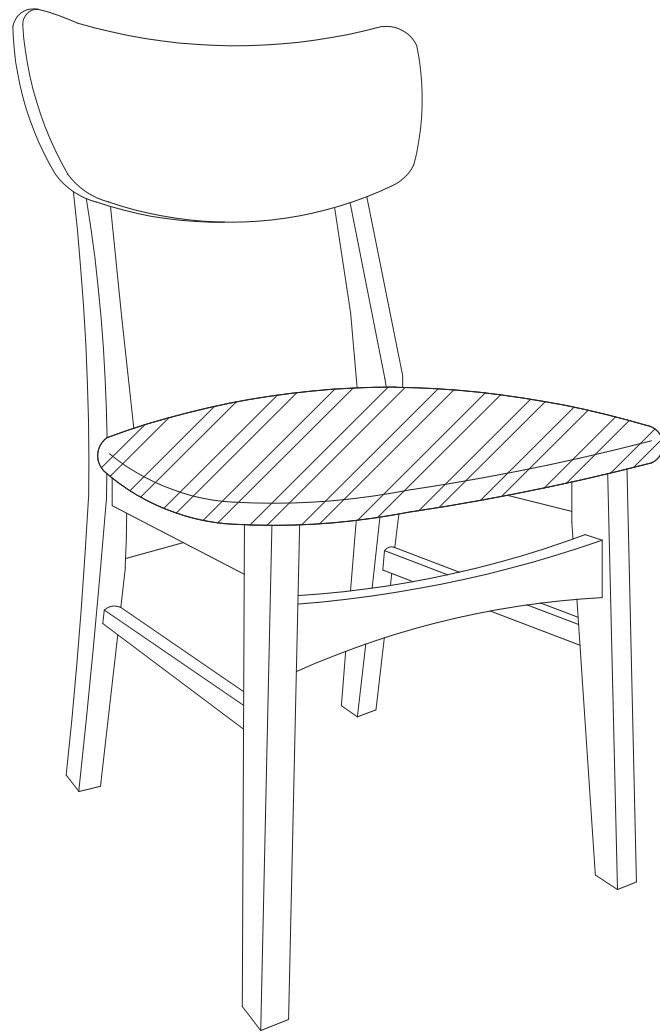
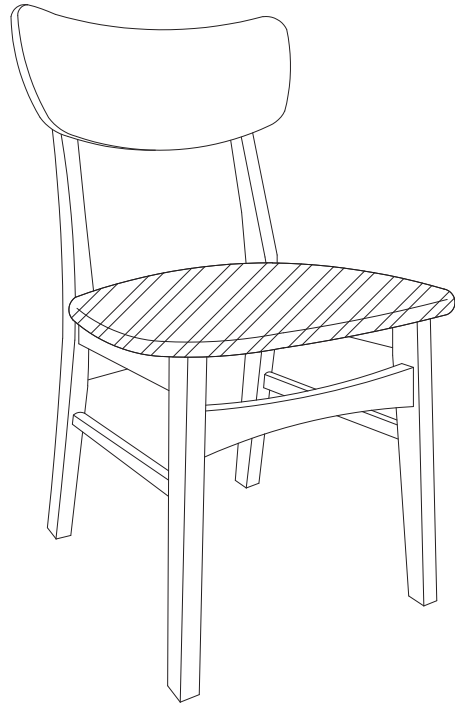
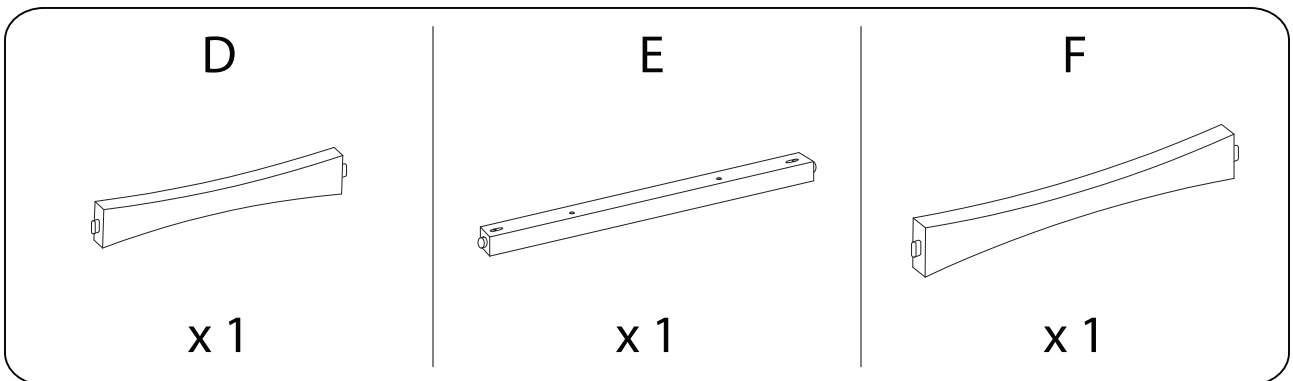
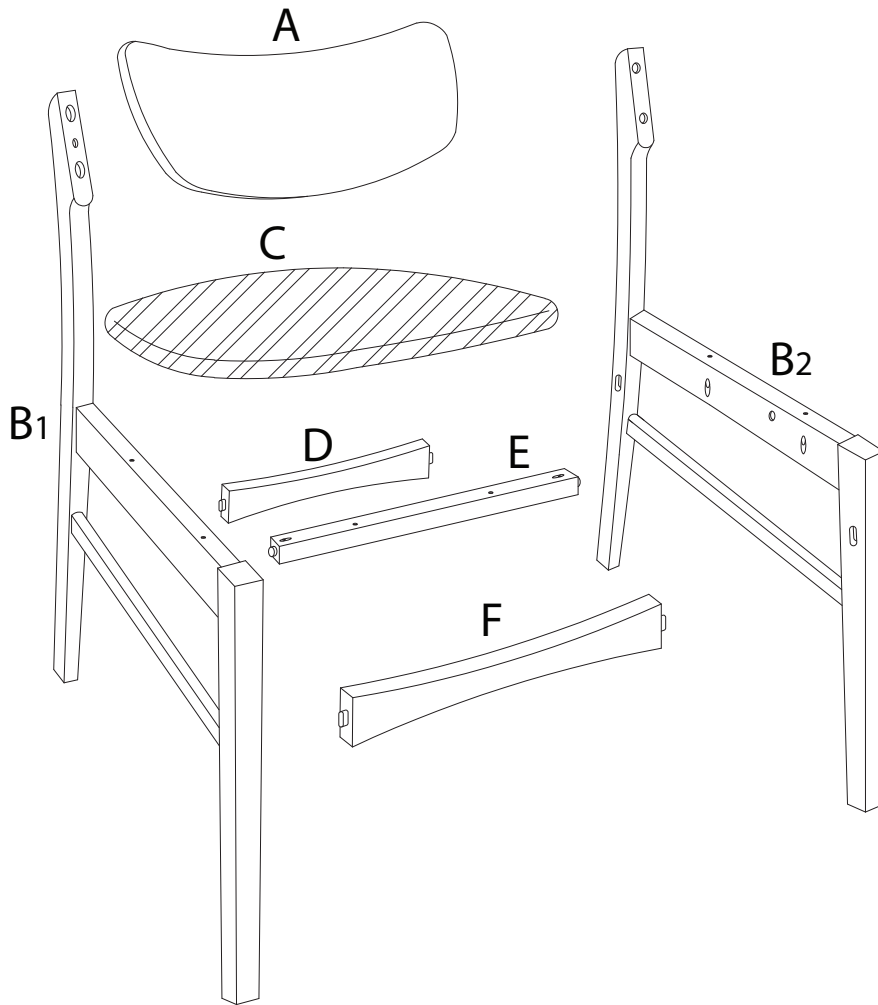
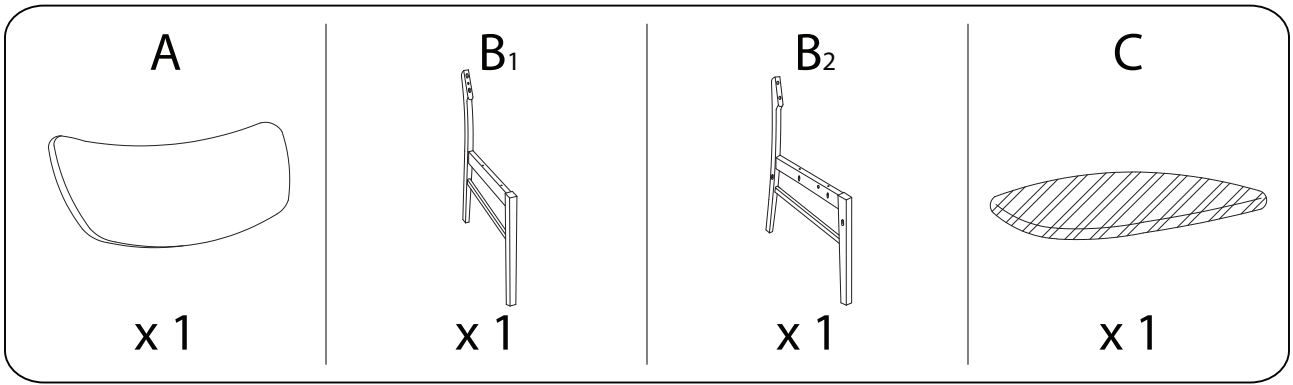


ANOKA

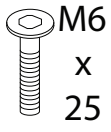




| | | |
|--|--|----------|
| | | |
| | | |
| | | 2 |

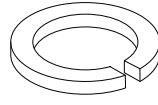


1



x 4

2



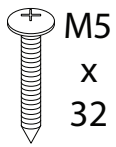
x 4

3



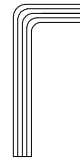
x 4

4



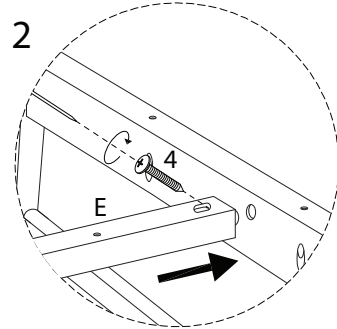
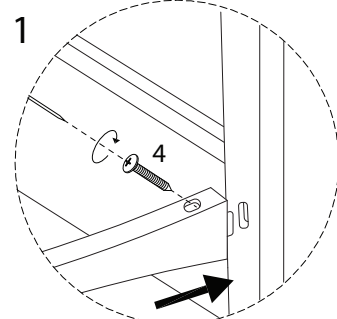
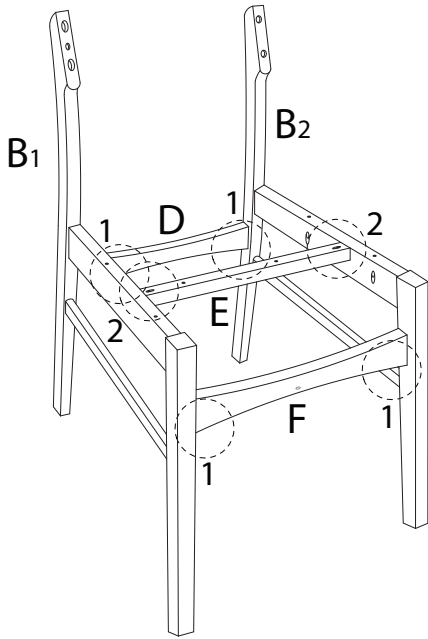
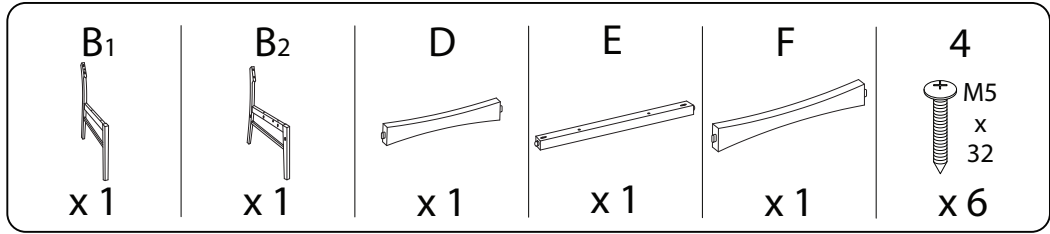
x 12

5

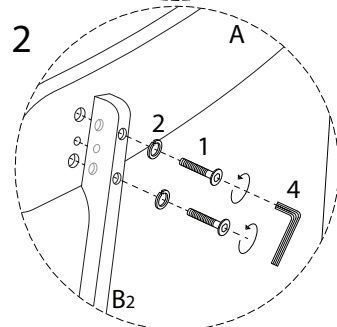
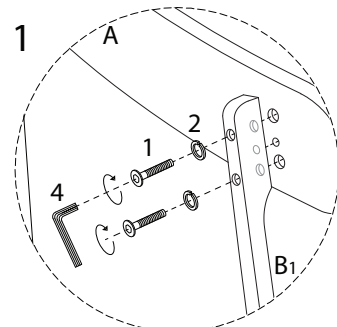
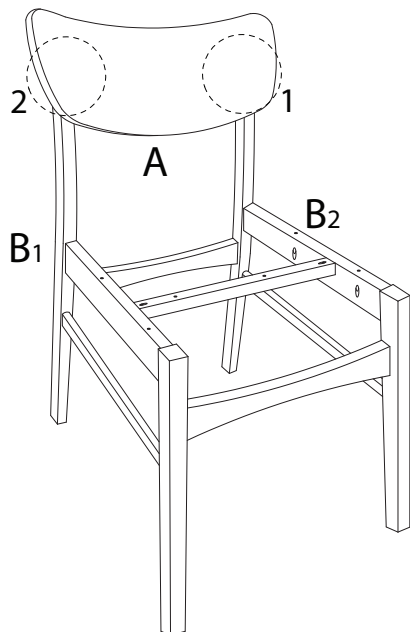
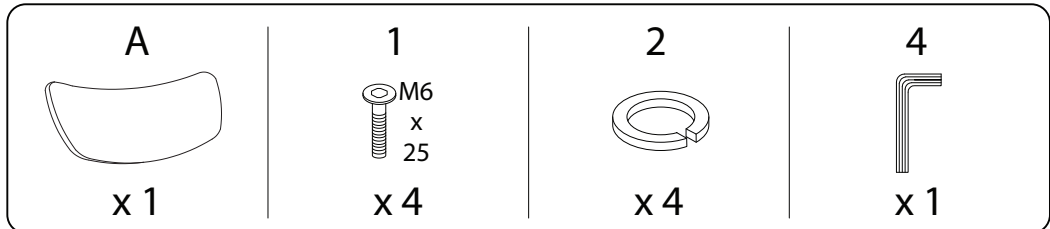


x 1

1



2

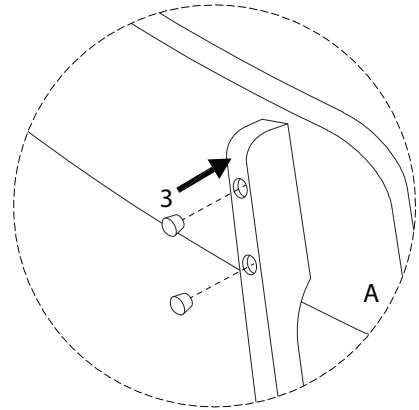
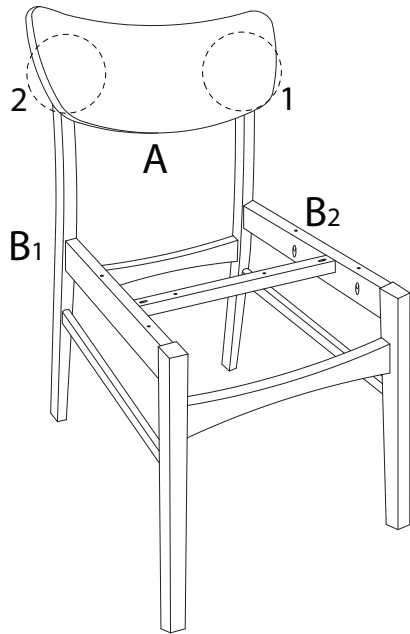


3

3

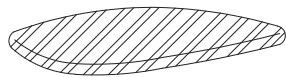


x 4



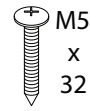
4

C



x 1

5



x 6

