


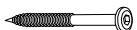

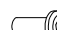



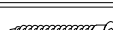










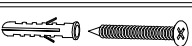
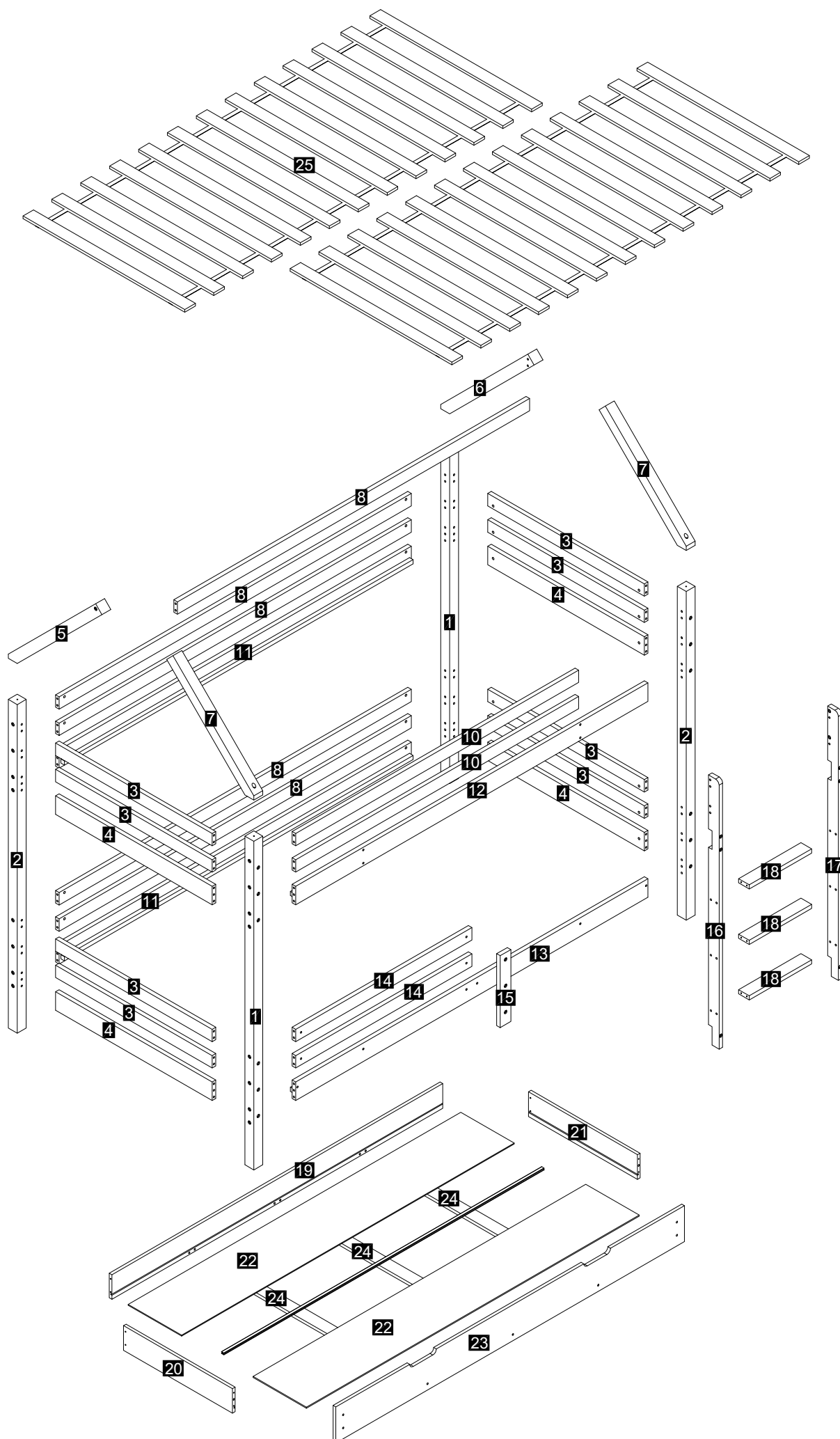
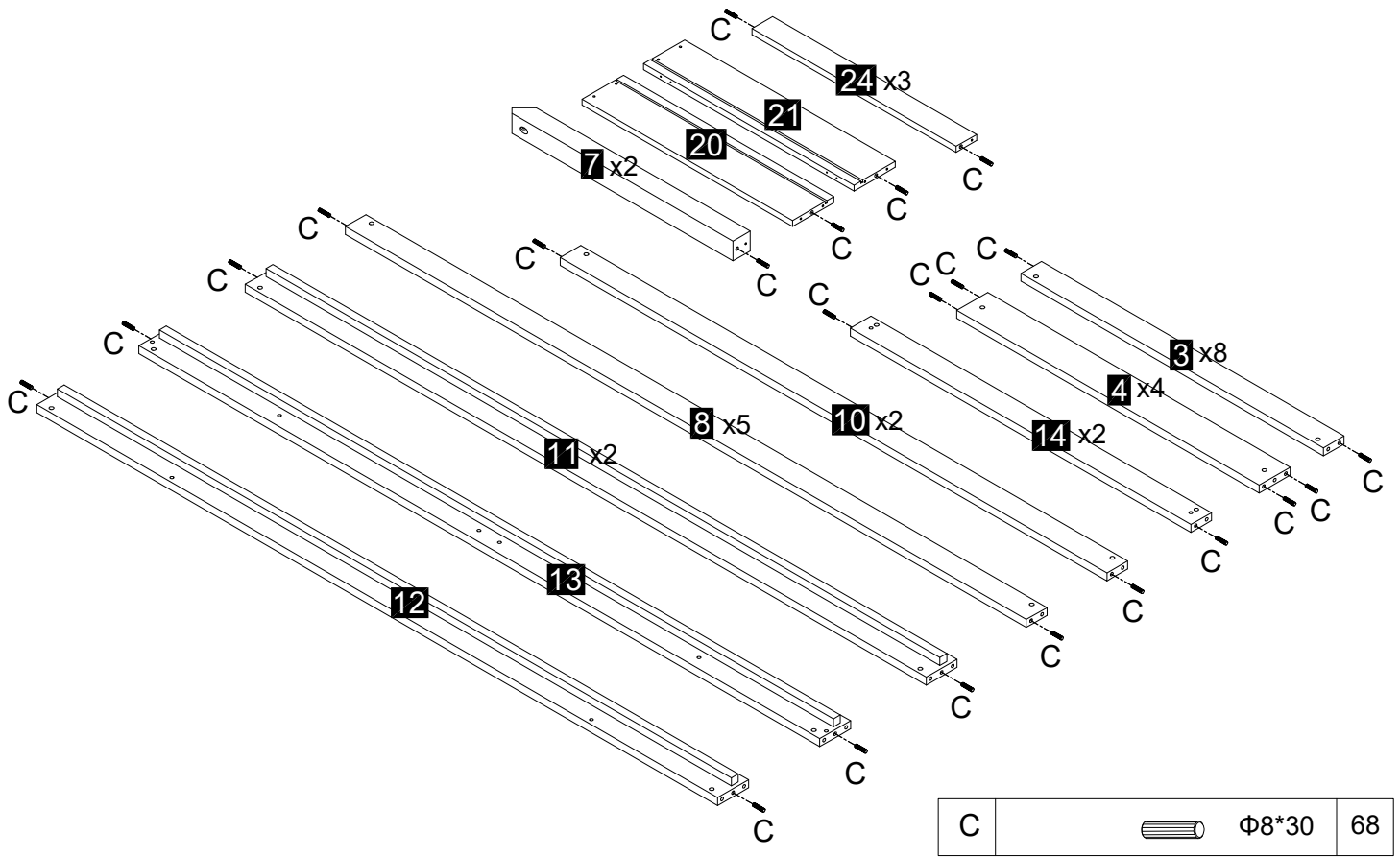


A		M6*90	54
B			56
C		Φ8*30	68
D		Φ6*80	6
E		M6*25	3
F		M6*20	9
G		M6*50	6
H		M6*60	2
I		4*30	64
J		Φ7*50	26
K		3.5*16	8

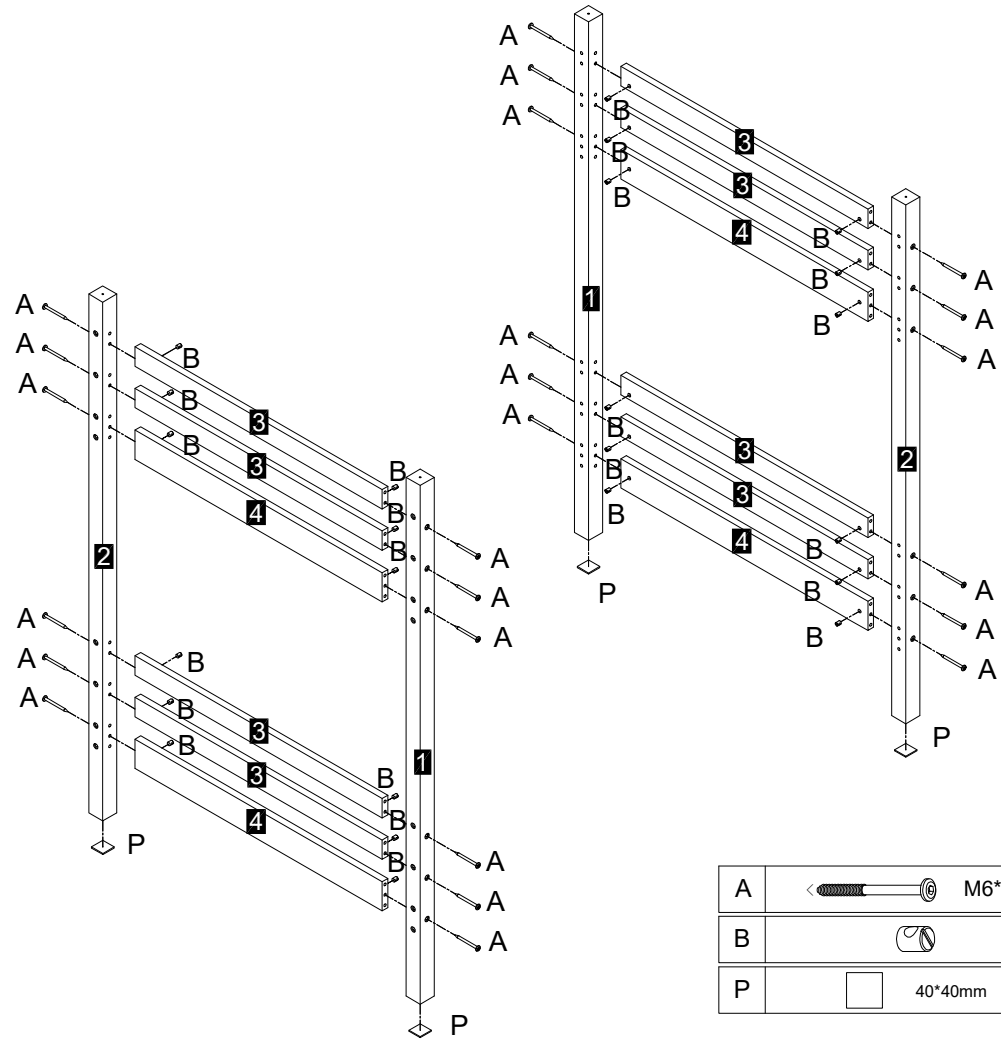
L		1830mm	1
M		Φ15	58
N		Φ8	11
O		35 mm	4
P		40*40mm	4
Q		4 mm	1
R		18mm	39
S			2
T		4*20	2
U			2



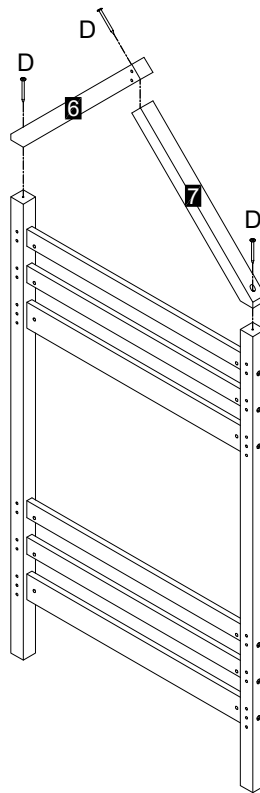
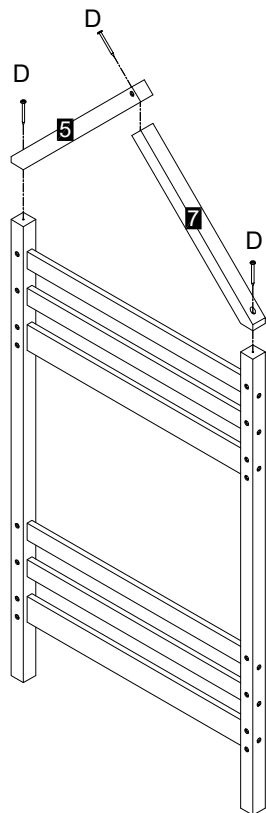
# STEP:1



# STEP:2

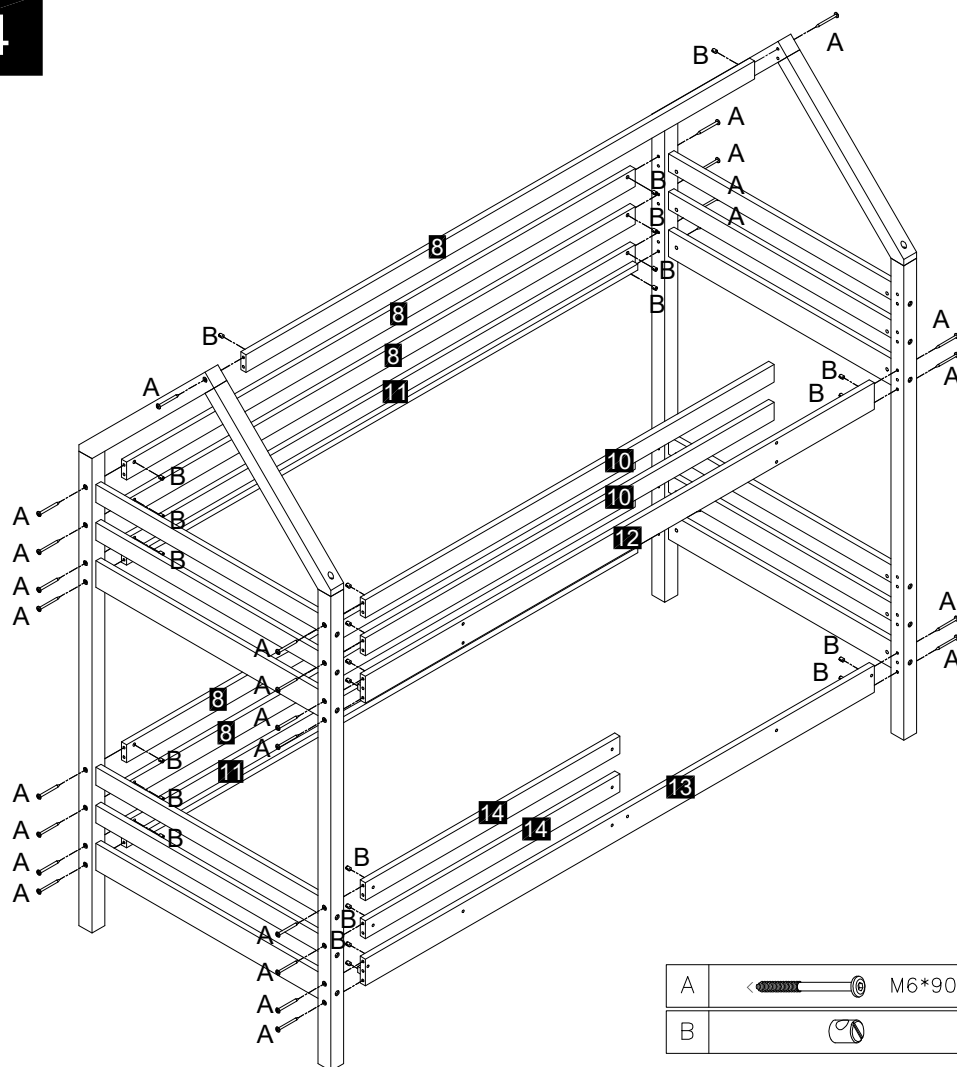




# STEP:3



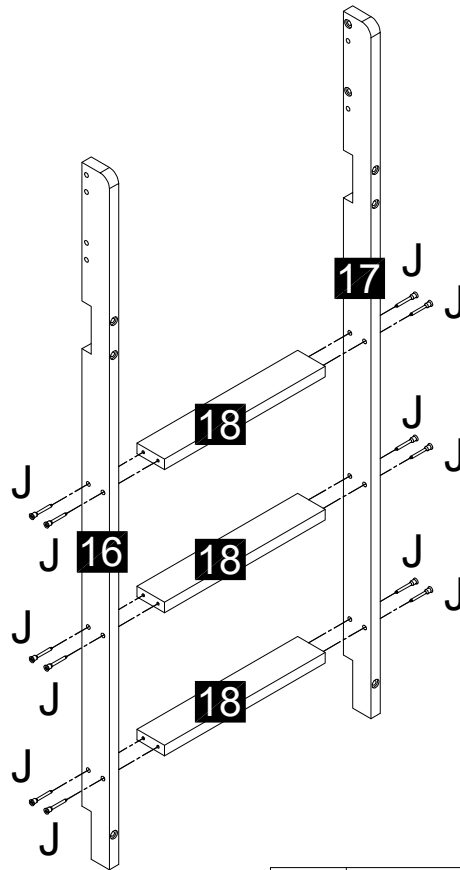
D		Φ6*80	6
---	--	-------	---


# STEP:4



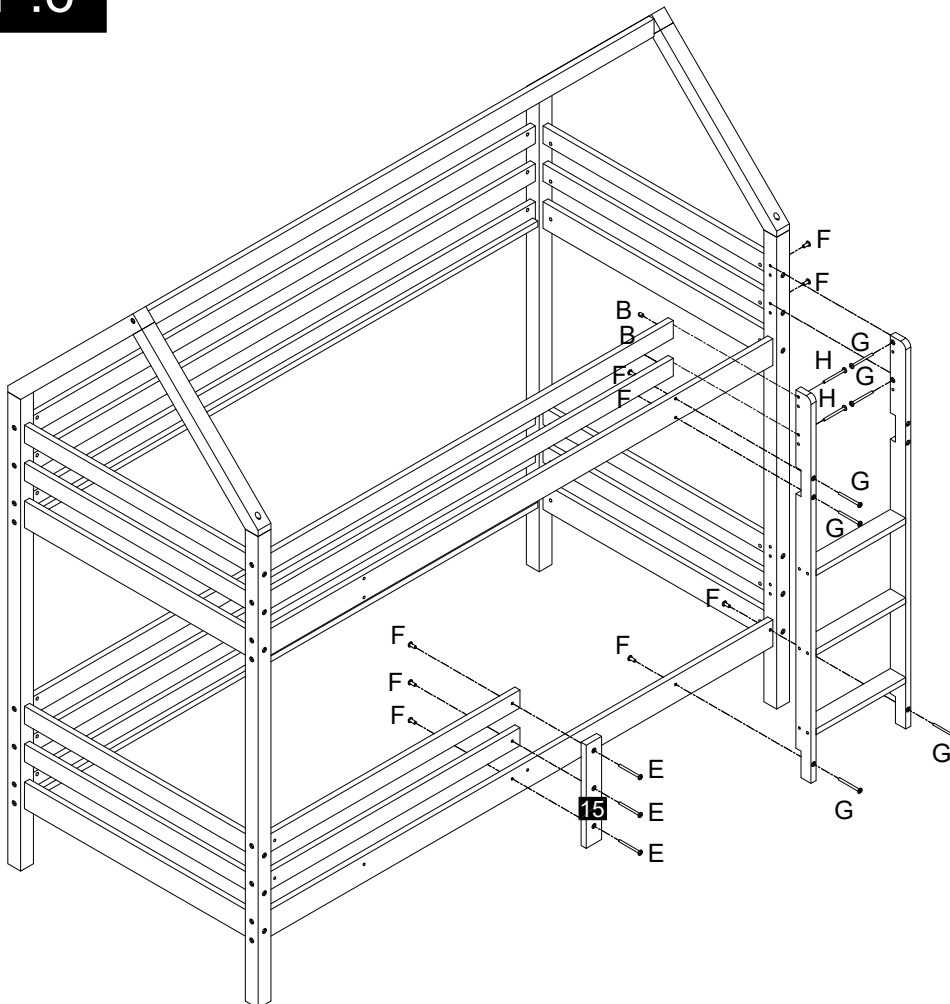
A		M6*90	30
B			30






# STEP:5



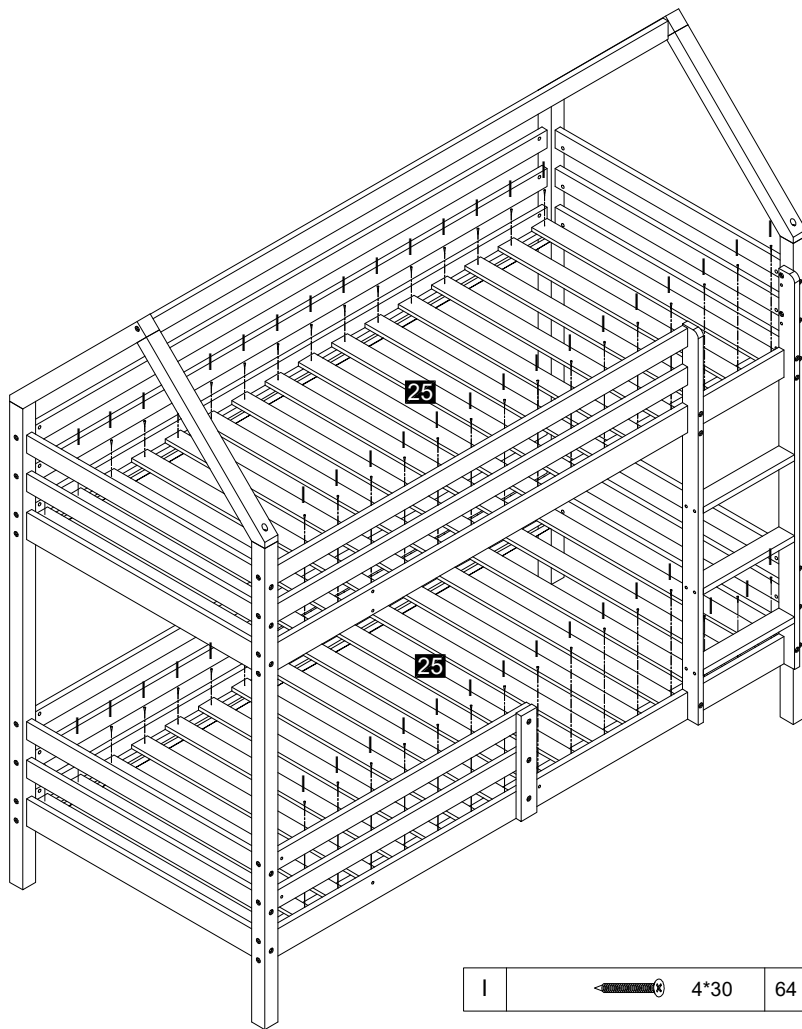
J		Φ7*50	12
---	---	-------	----

# STEP:6



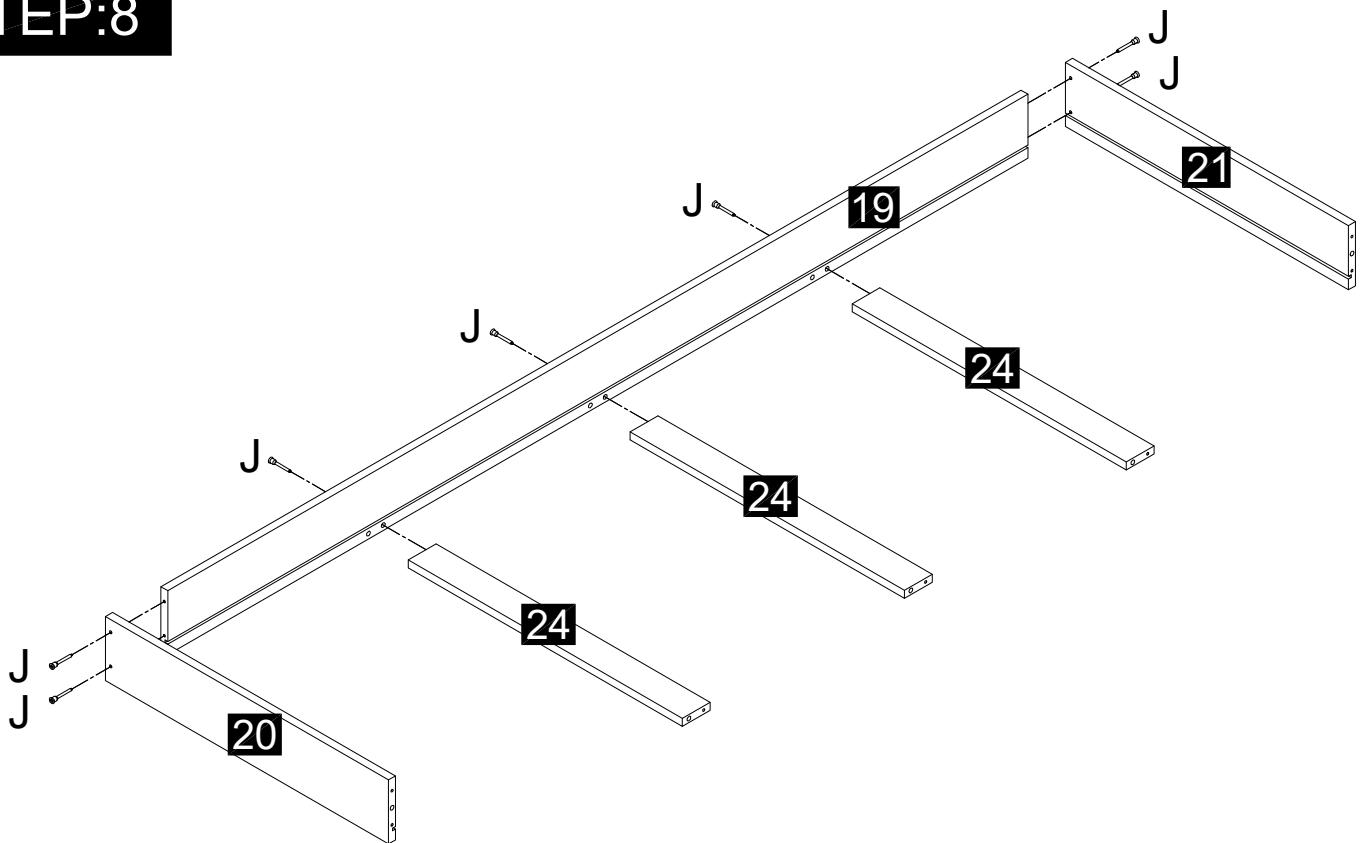
E		M6*25	3
F		M6*20	9
G		M6*50	6
H		M6*60	2
B			2


# STEP:7



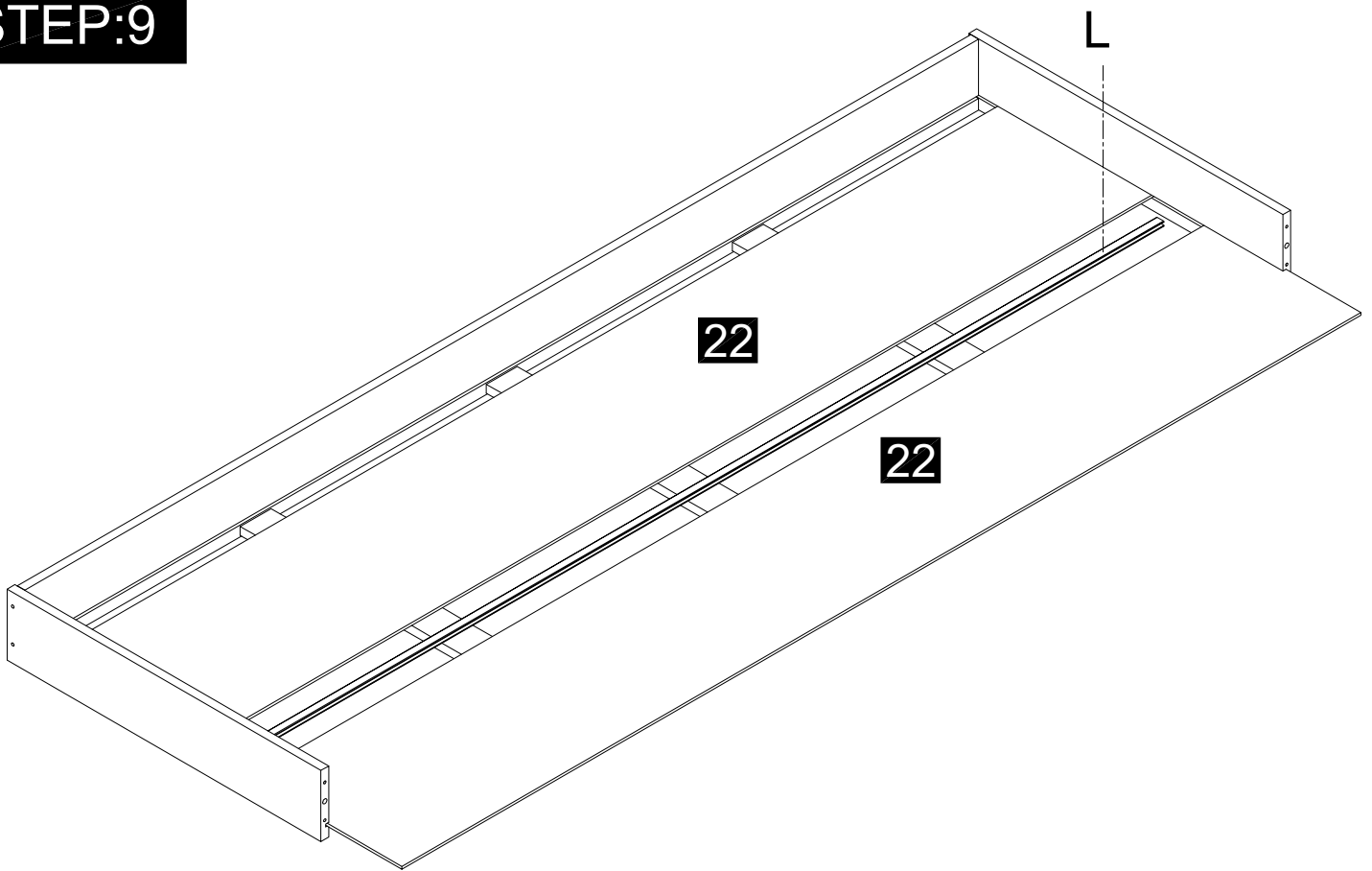
I		4*30	64
---	--	------	----

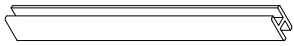
# STEP:8



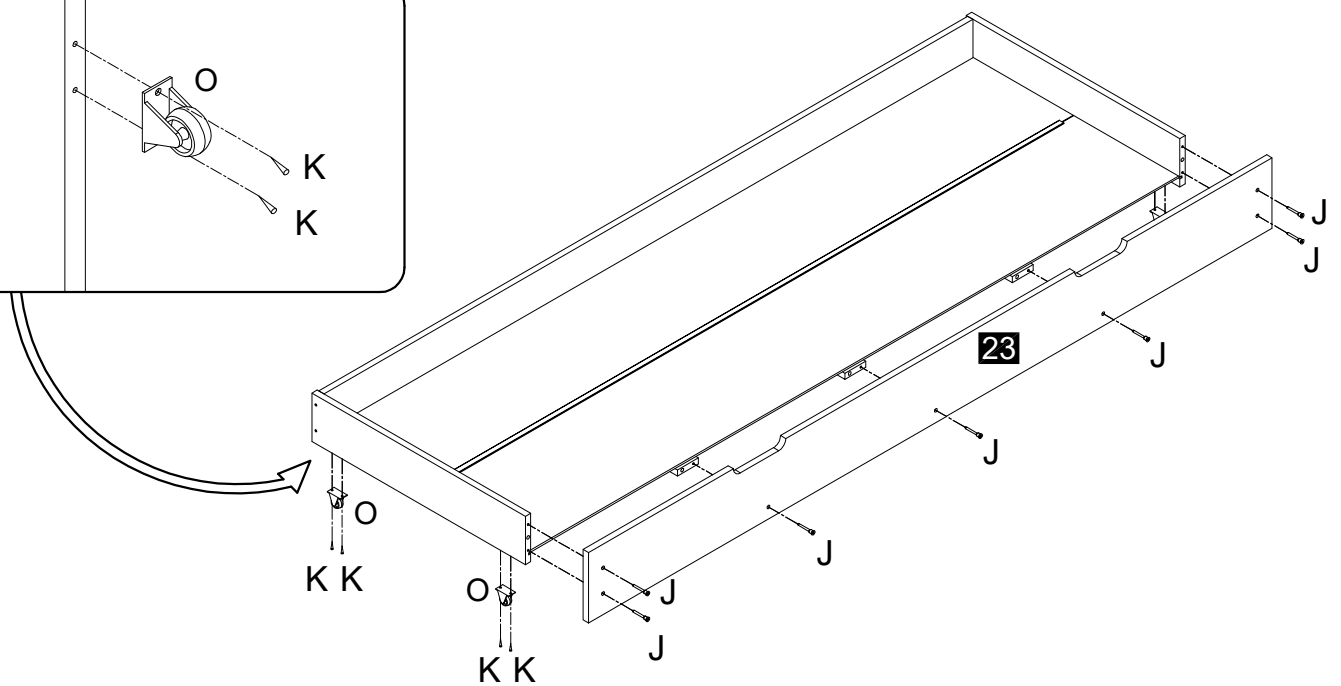
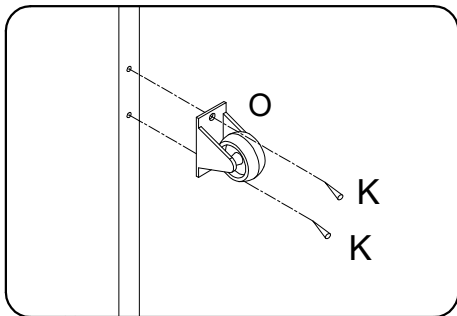
J		Φ7*50	7
---	---	-------	---

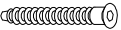


# STEP:9



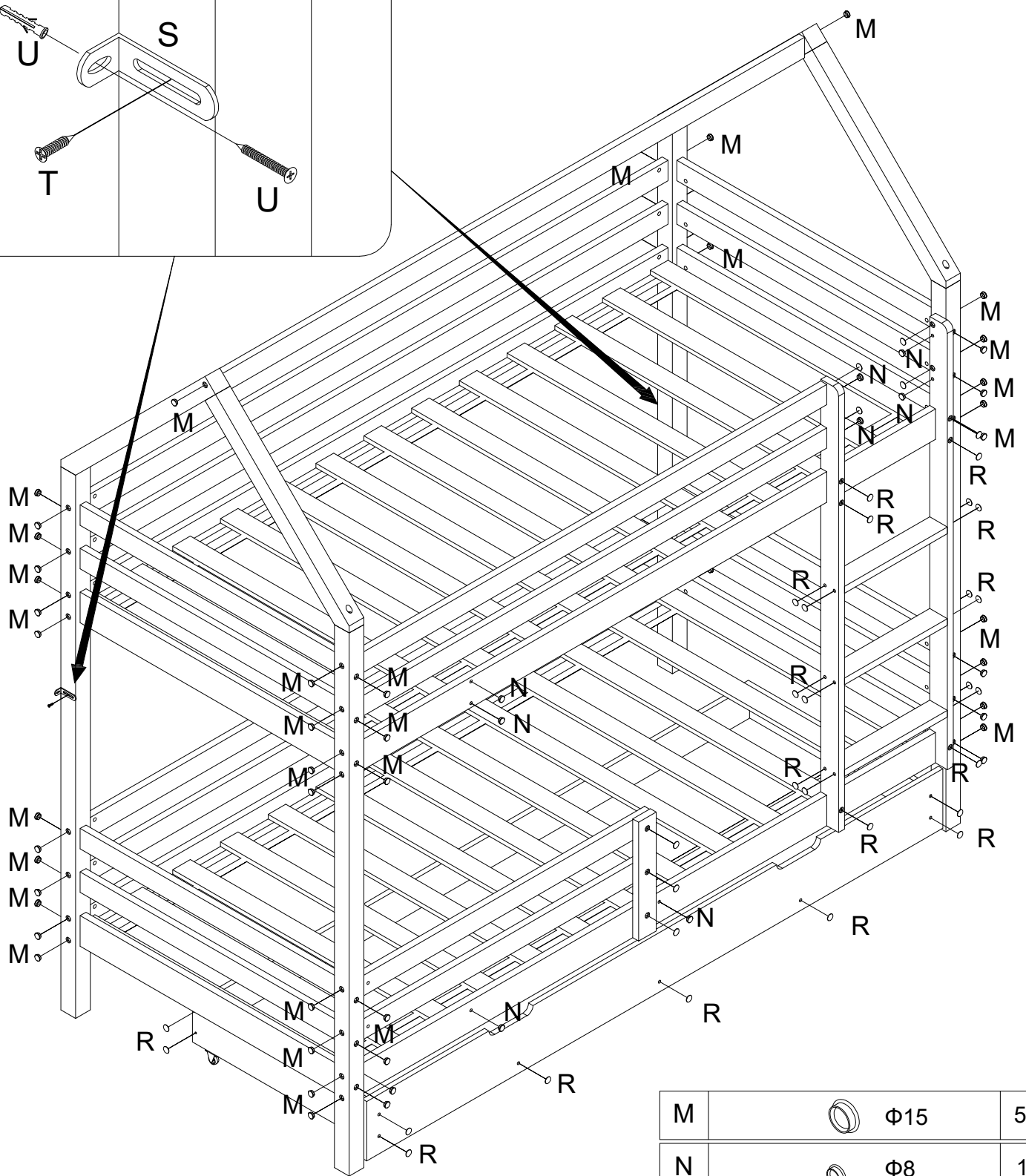
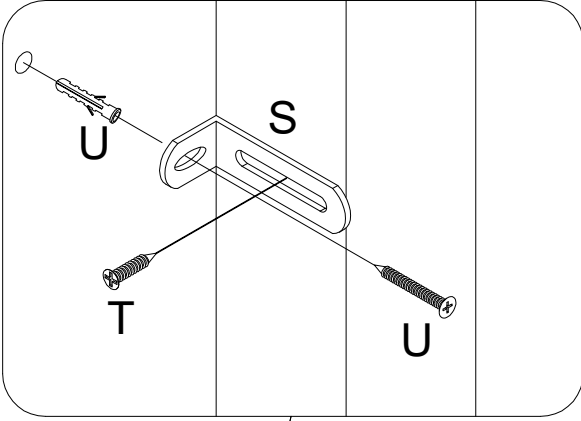
L		1830mm	1
---	---	--------	---




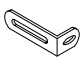

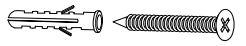
# STEP:10



J		Φ7*50	7
K		3.5*16	8
O		35 mm	4

# STEP:11



M		Φ15	58
N		Φ8	11
R		18mm	39
S			2
T		4*20	2
U			2