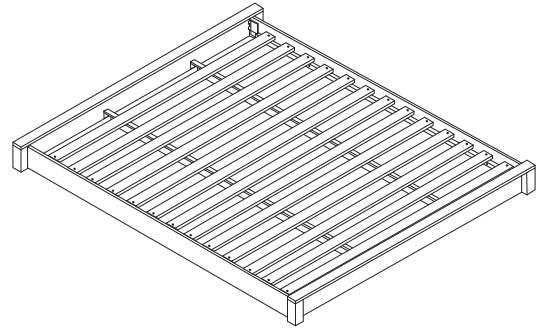
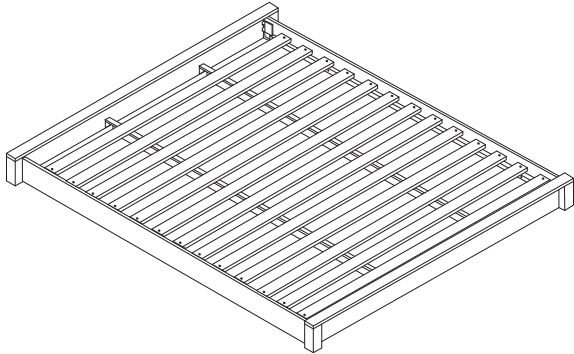

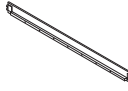
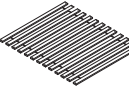
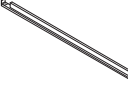


# ANTRAS

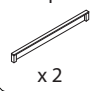

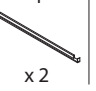

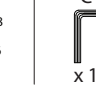


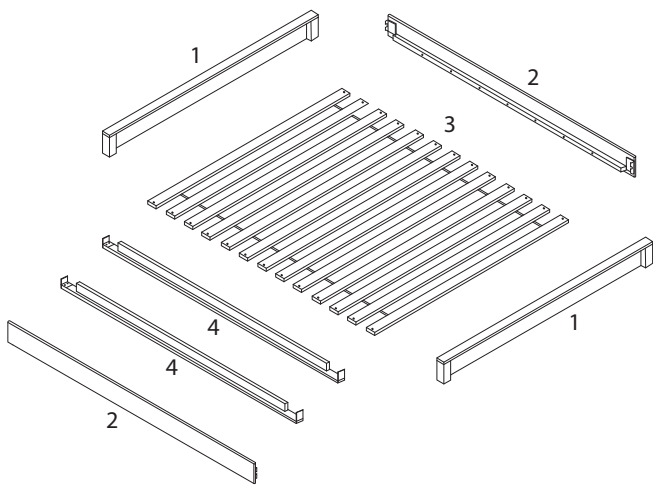
1/4

2/4

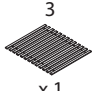

1  x 2	2  x 2	3  x 1	4  x 2
--	---	---	---



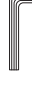
**1**

1  x 2	2  x 2	4  x 2	A  x 8	C  x 1
--	---	---	---	---



**2**

3  x 1	B  x 26
---	--

A  x 8	B  x 26	C  x 1
---	--	---

3/4

4/4