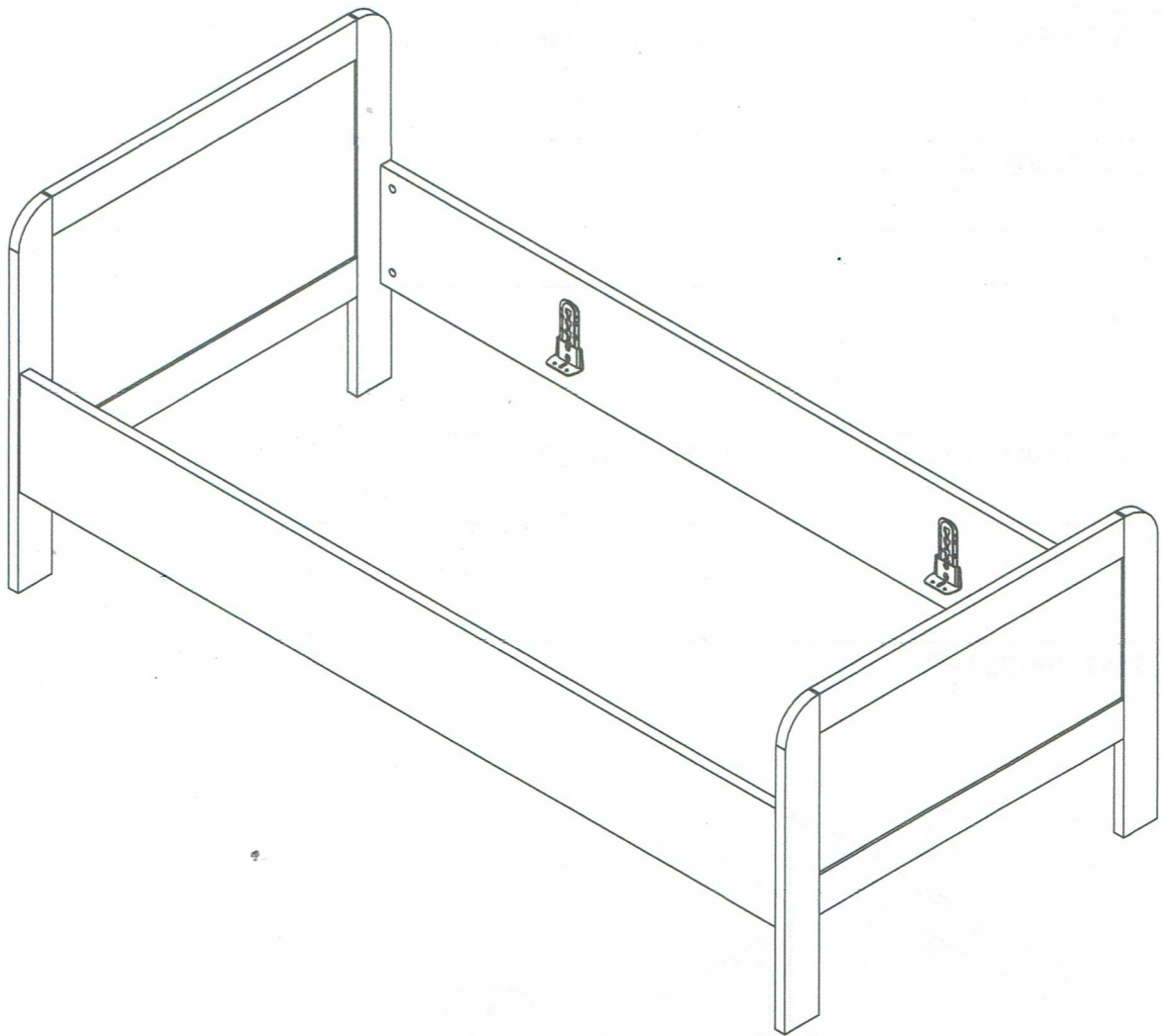


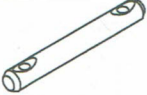







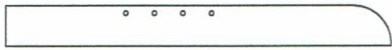


# SENIOR



<b>A</b>	 $\text{Ø}10 \times 30$	<b>24</b>	<b>F</b>	 $140 \times 48$	<b>4</b>
<b>B</b>	 $\text{Ø}10 \times 80$	<b>8</b>	<b>H</b>	 $70 \times 36$	<b>4</b>
<b>C</b>	 $\text{Ø}16 \times 20$	<b>24</b>	<b>I</b>	 $\text{Ø}3,5 \times 20$	<b>16</b>
<b>D</b>	 $M10 \times 13$	<b>24</b>	<b>K</b>	 $\text{Ø}25 \times 1,5$	<b>24</b>
<b>E</b>	 $M6 \times \text{Ø}10 \times 46$	<b>8</b>	<b>L</b>	 $\text{Ø}20$	<b>4</b>

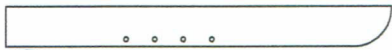




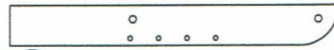
② 25x90x864 - 1



③ 25x90x736 - 1



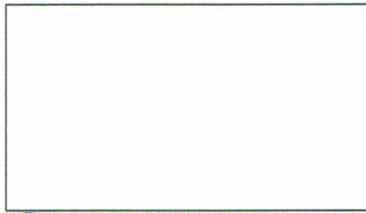
① 25x90x864 - 1



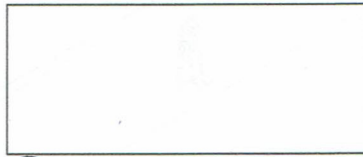
④ 25x90x736 - 1



⑦ 25x90x805 - 4



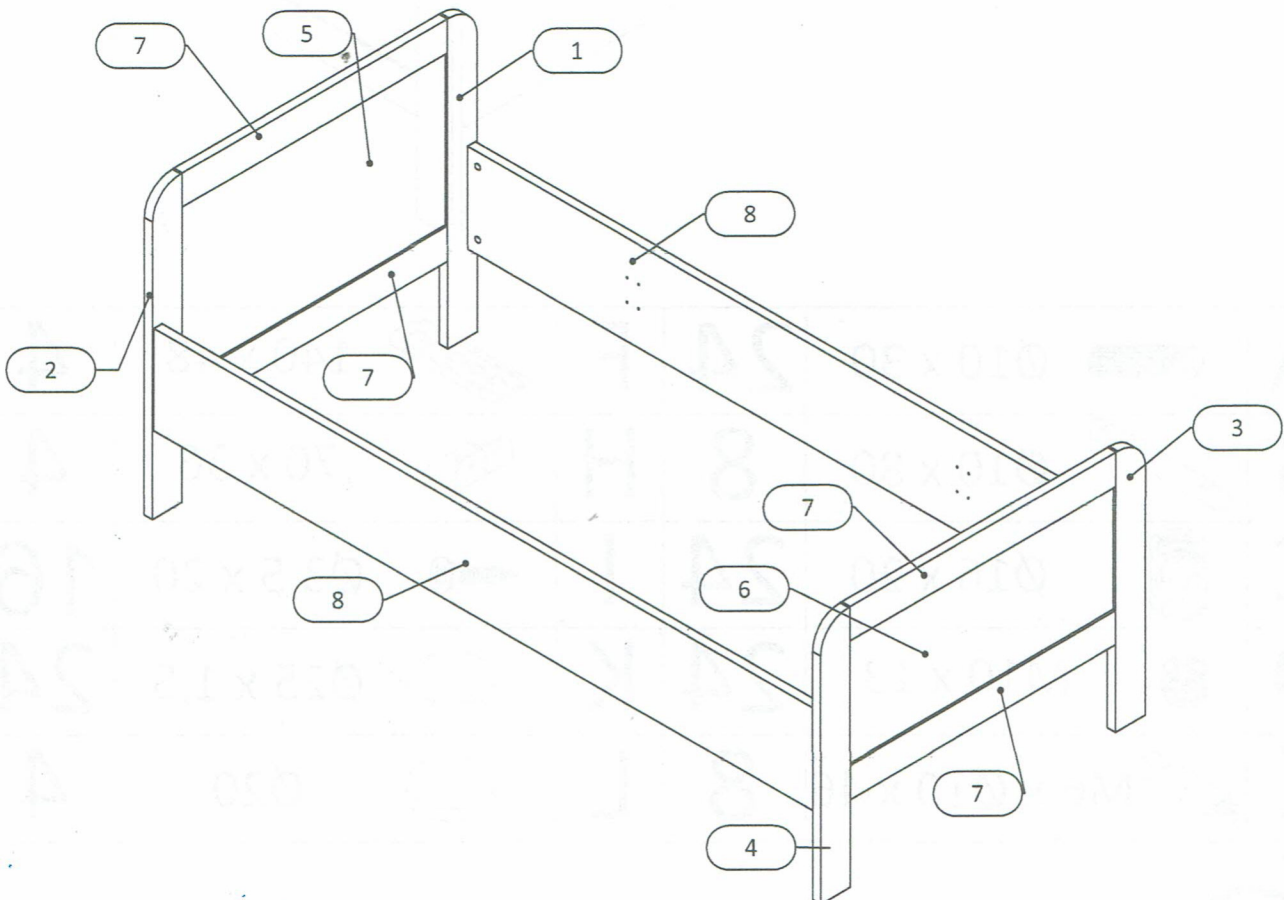
⑤ 12x462x813 - 1




⑥ 12x334x813 - 1

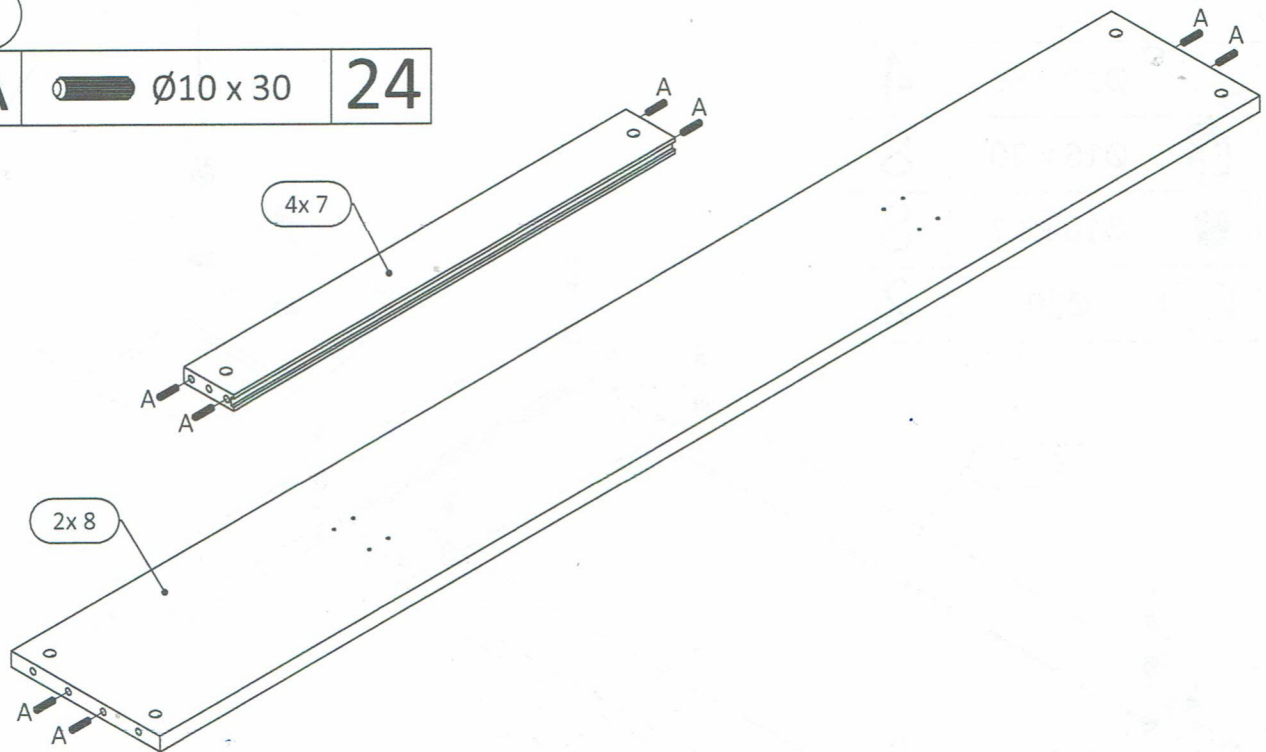


⑧ 25x270x2003 - 2

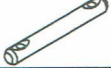





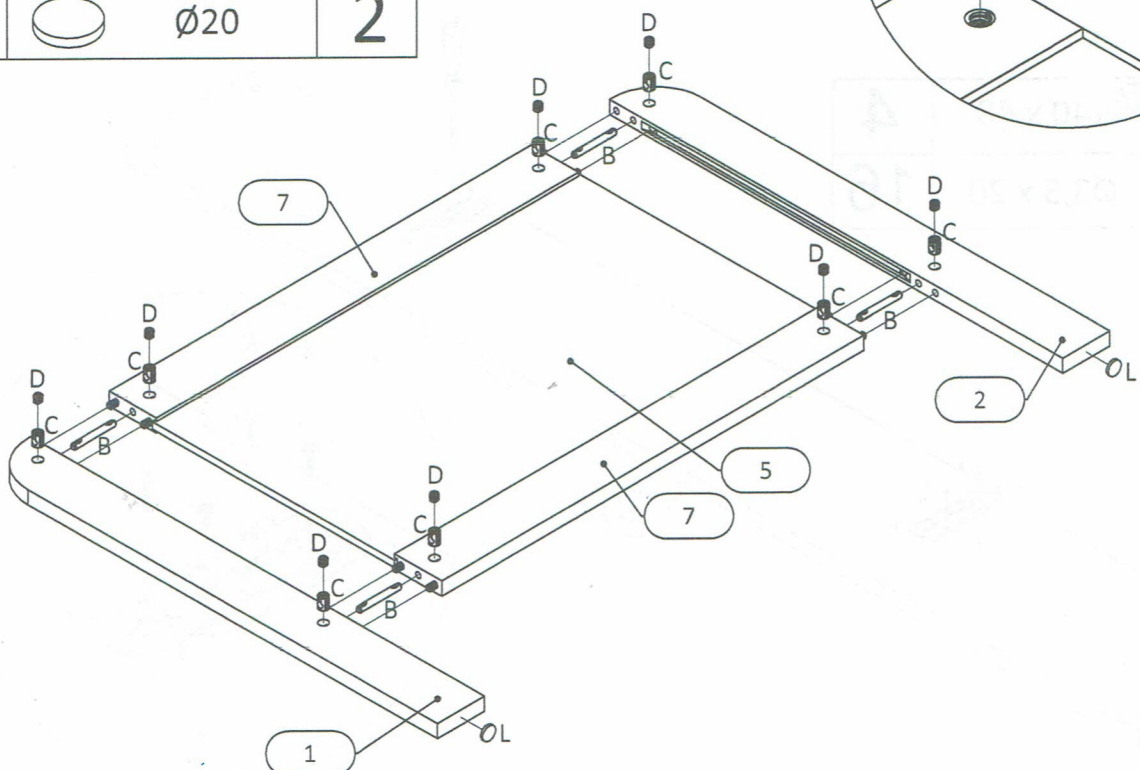
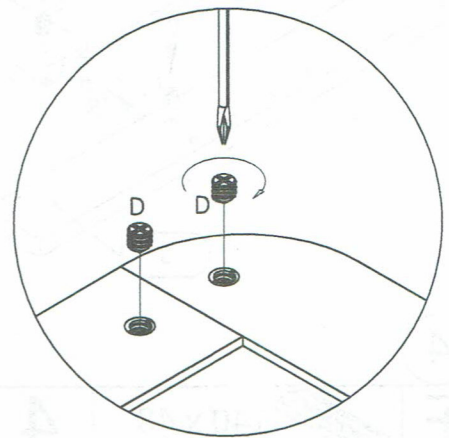
1

A	 Ø10 x 30	24
---	--	----







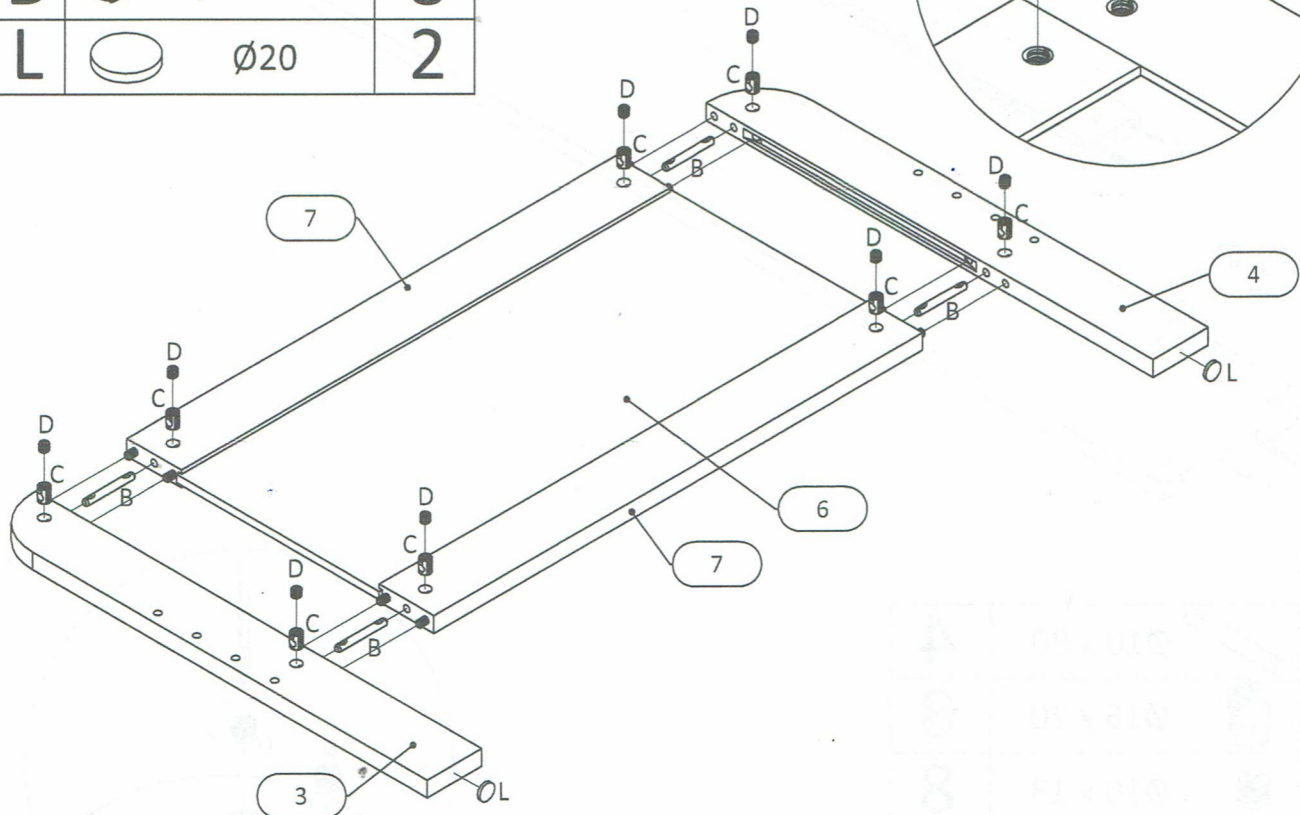
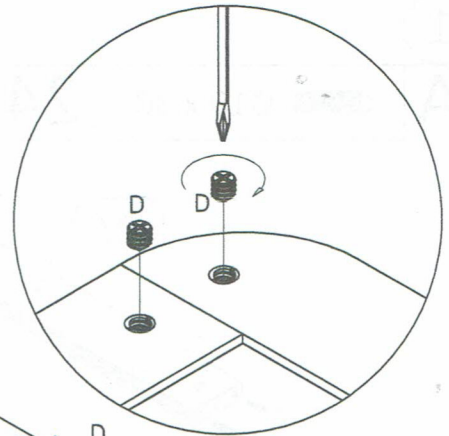
2

B	 Ø10 x 80	4
C	 Ø16 x 20	8
D	 Ø10 x 13	8
L	 Ø20	2





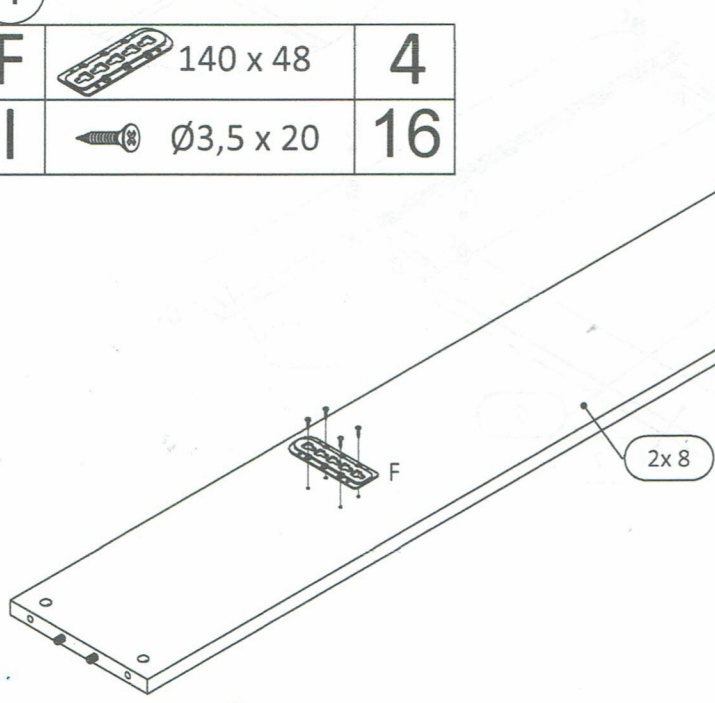
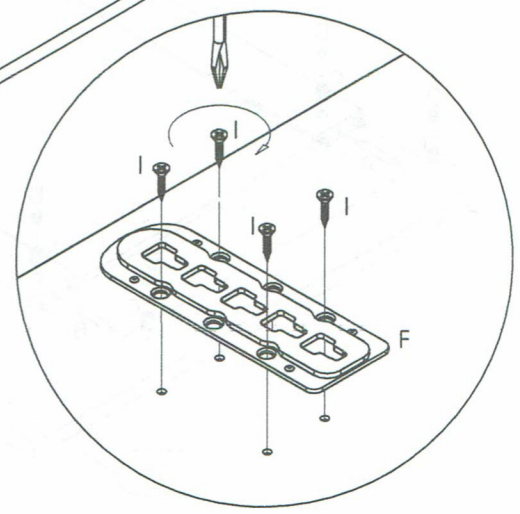
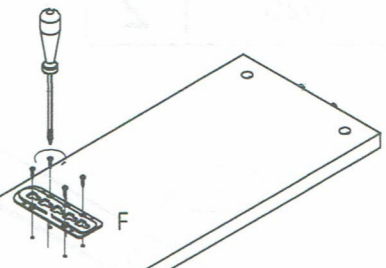
3

B	 Ø10 x 80	4
C	 Ø16 x 20	8
D	 Ø10 x 13	8
L	 Ø20	2






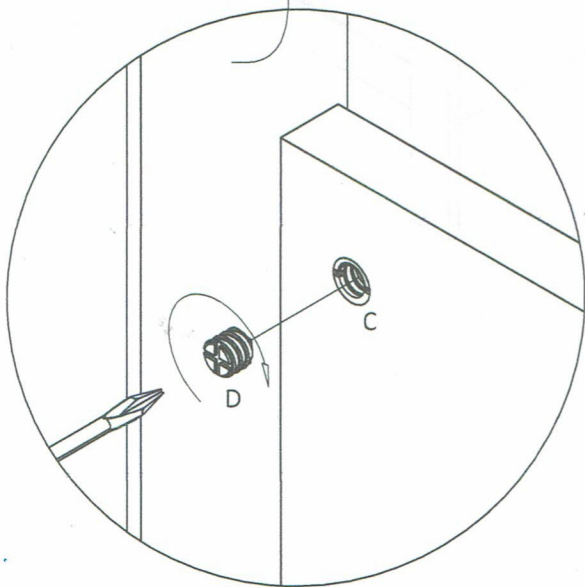
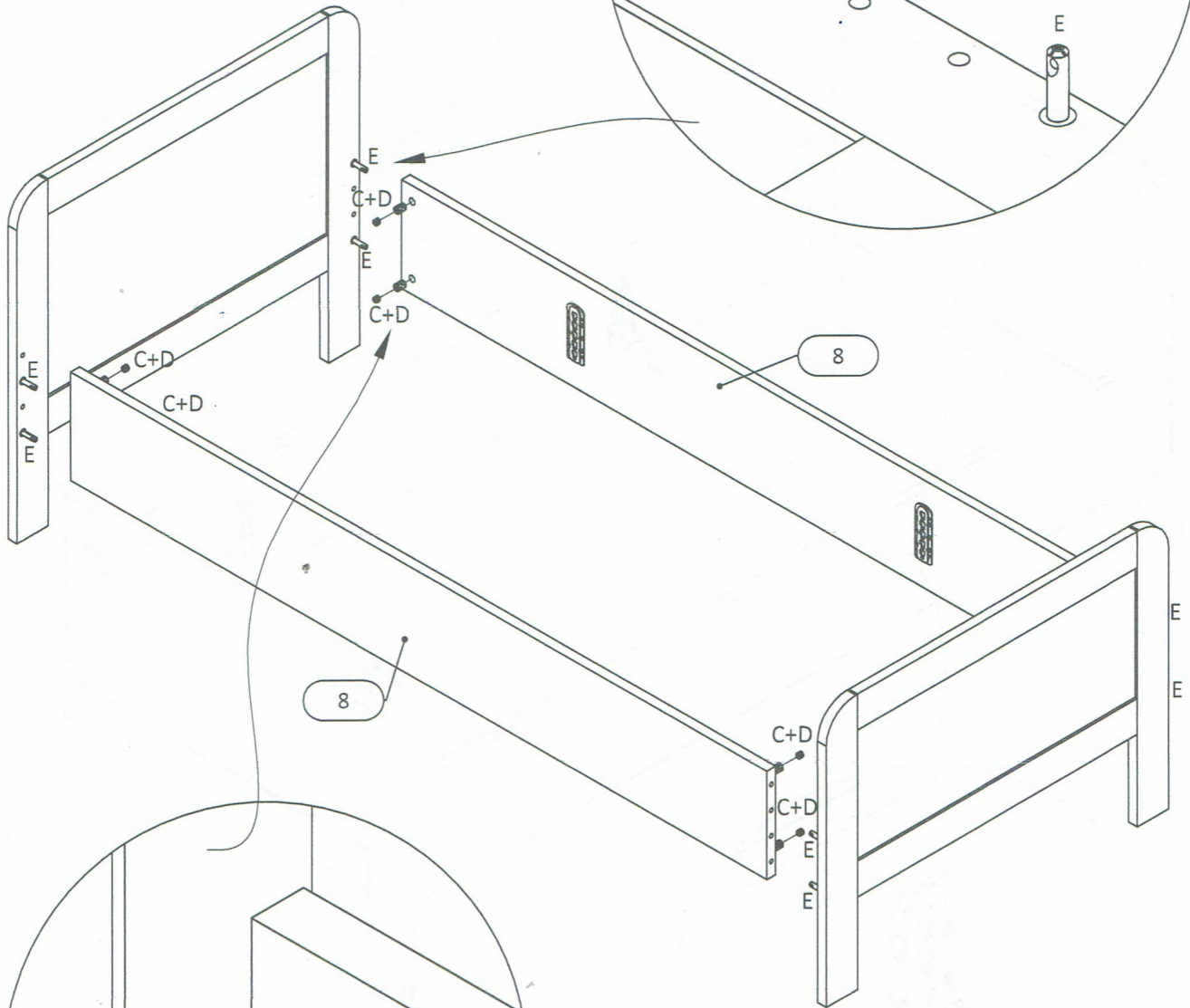
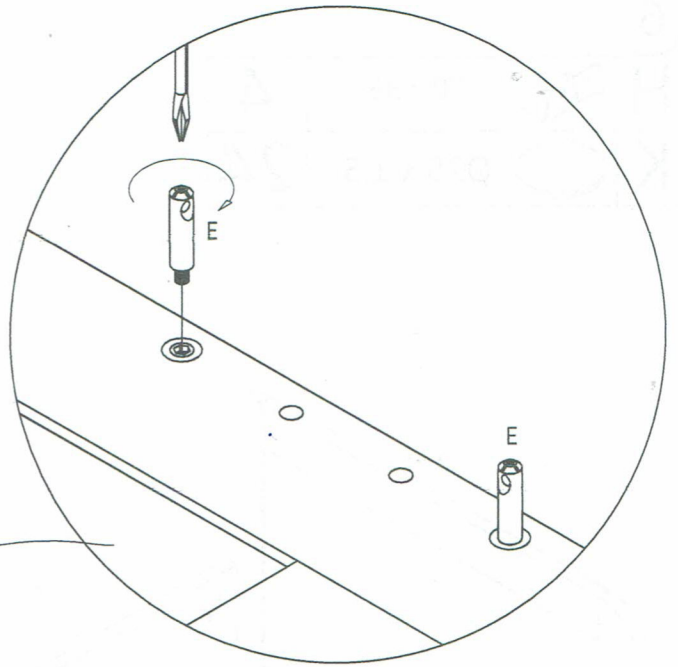
4

F	 140 x 48	4
I	 Ø3,5 x 20	16





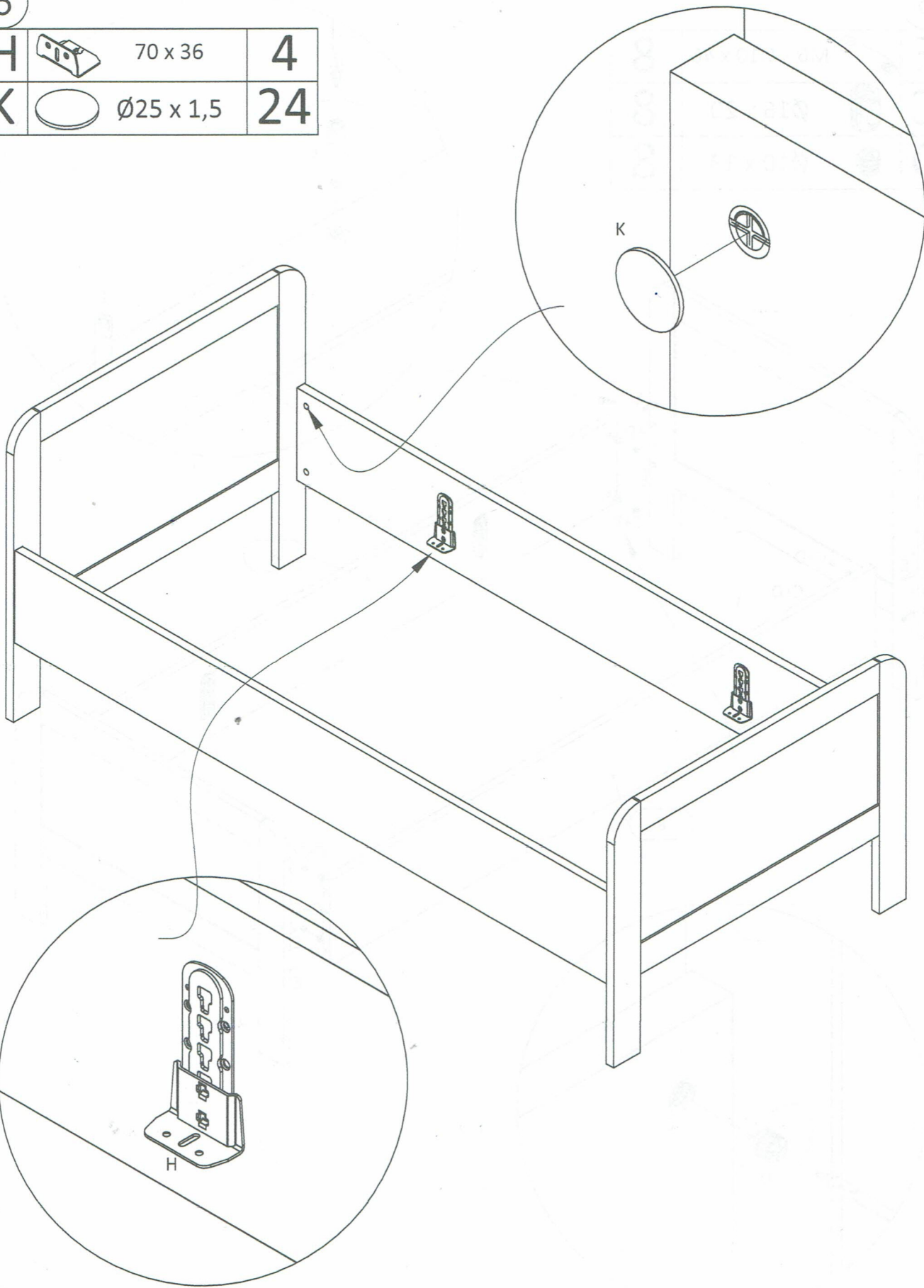
5

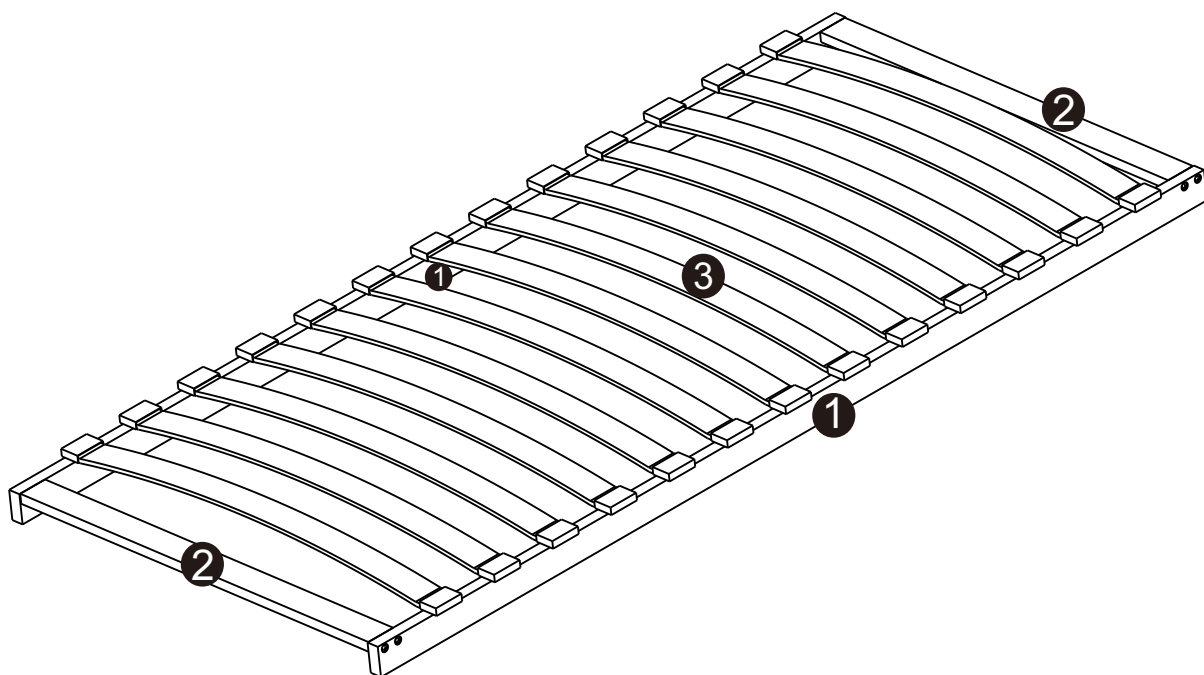
E	 M6 x Ø10 x 46	8
C	 Ø16 x 20	8
D	 Ø10 x 13	8


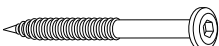



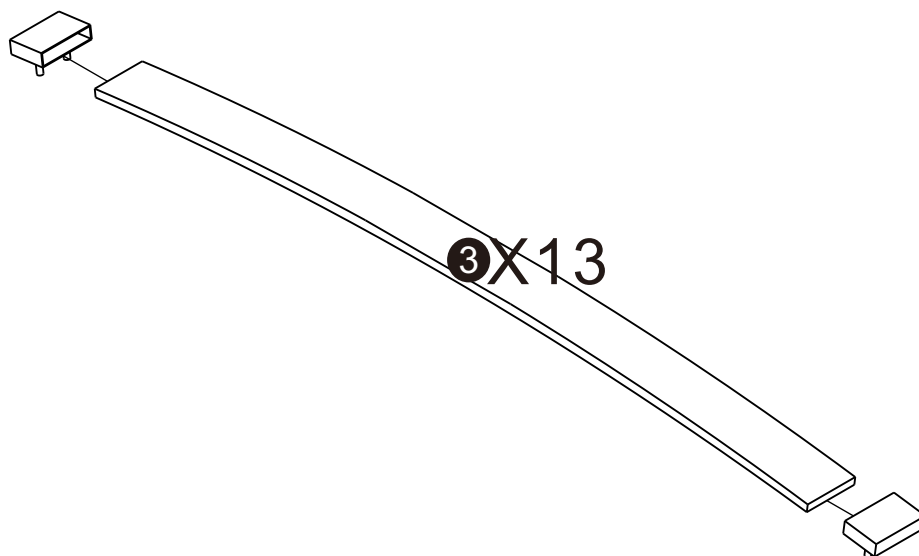
6


H	 70 x 36	4
K	 Ø25 x 1,5	24





A		26
B	 M6X70mm	8
C		1



A		26
---	---	----

