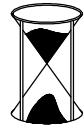
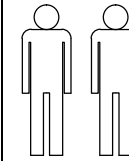
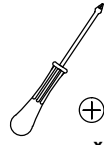




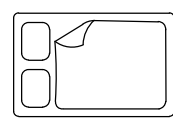
2024-04-23



30min.



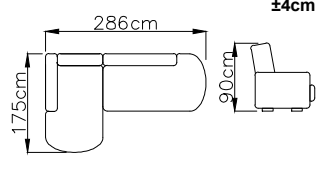
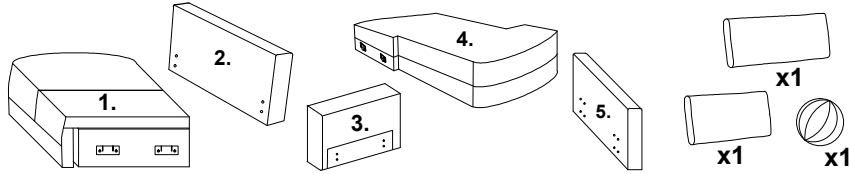
x1



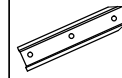
±4cm

215 x 140 cm

# ARIOLA

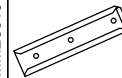


a. x 4



MME00197

b. x 4



MME00197

c. x 18



Ø50x25

MON00187

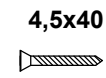
d. x 1



Ø45x15

MON00341

e. x 19



4,5x40

MME00076

f. x 16

M6x20



MME00189

g. x 4

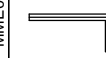
M6x25



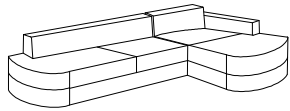
MME00206

h. x 1

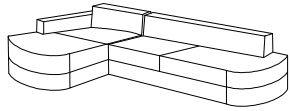
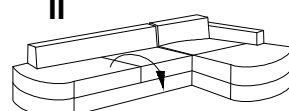
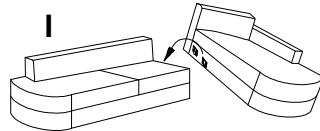
"4"



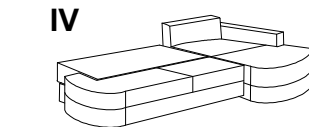
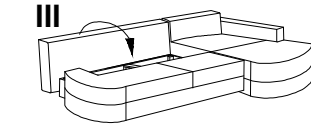
MIW00062



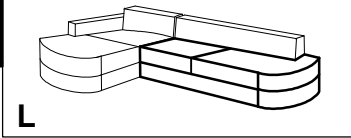
R 6-10



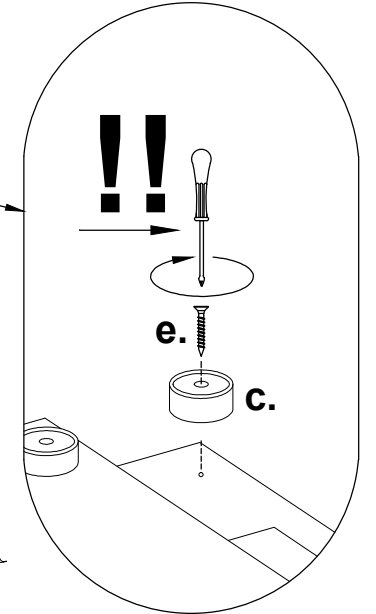
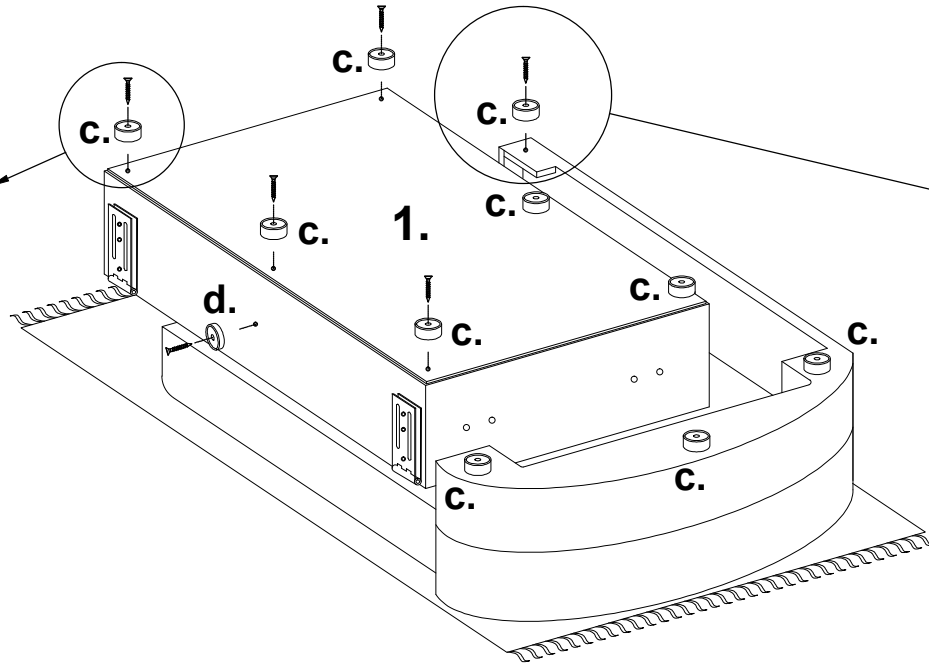
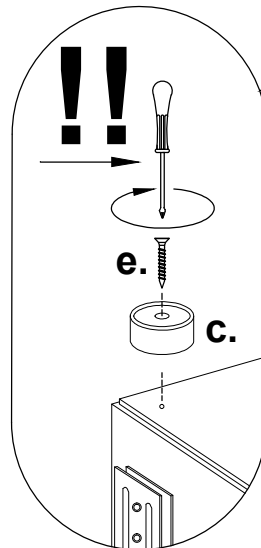
L 1-5



I



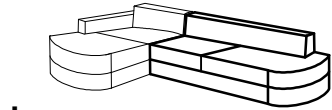
L



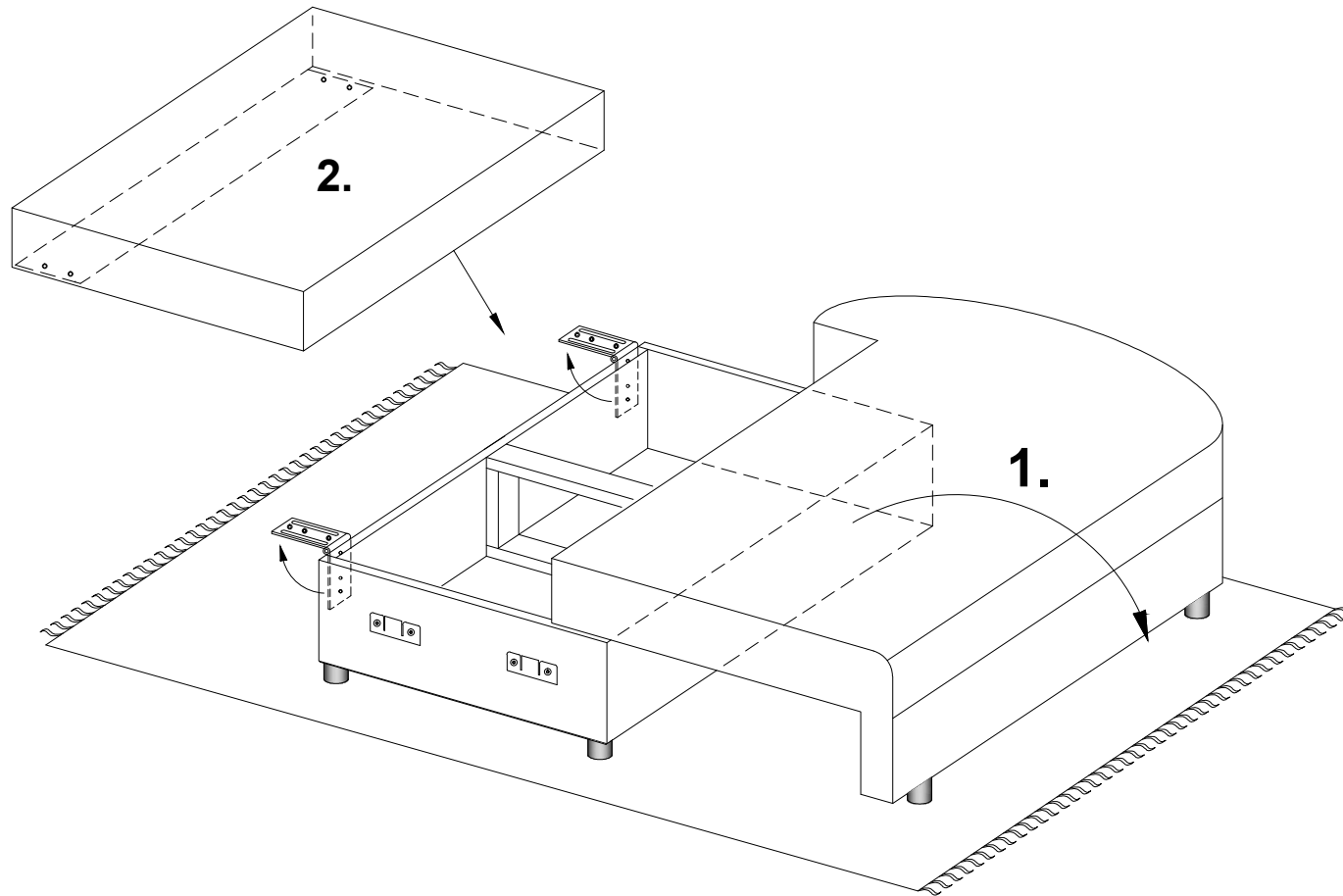
2024-04-23

# ARIOLA

II



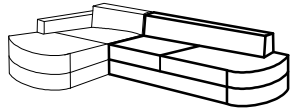
L



2024-04-23

# ARIOLA

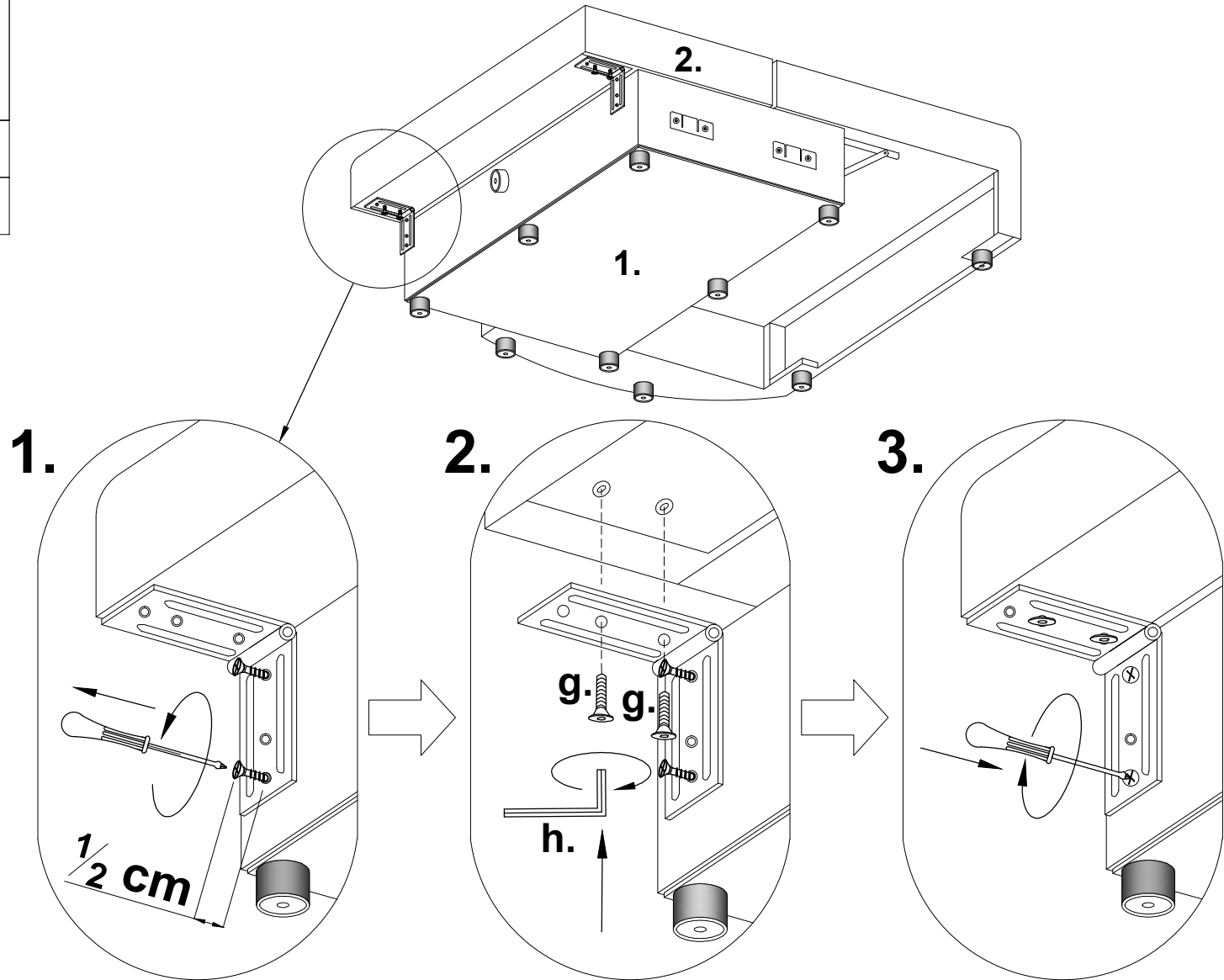
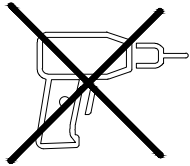
III



L

g. x 4  M6x25

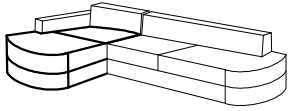
h. x 1  "4"



2024-04-23

# ARIOLA


## IV



L

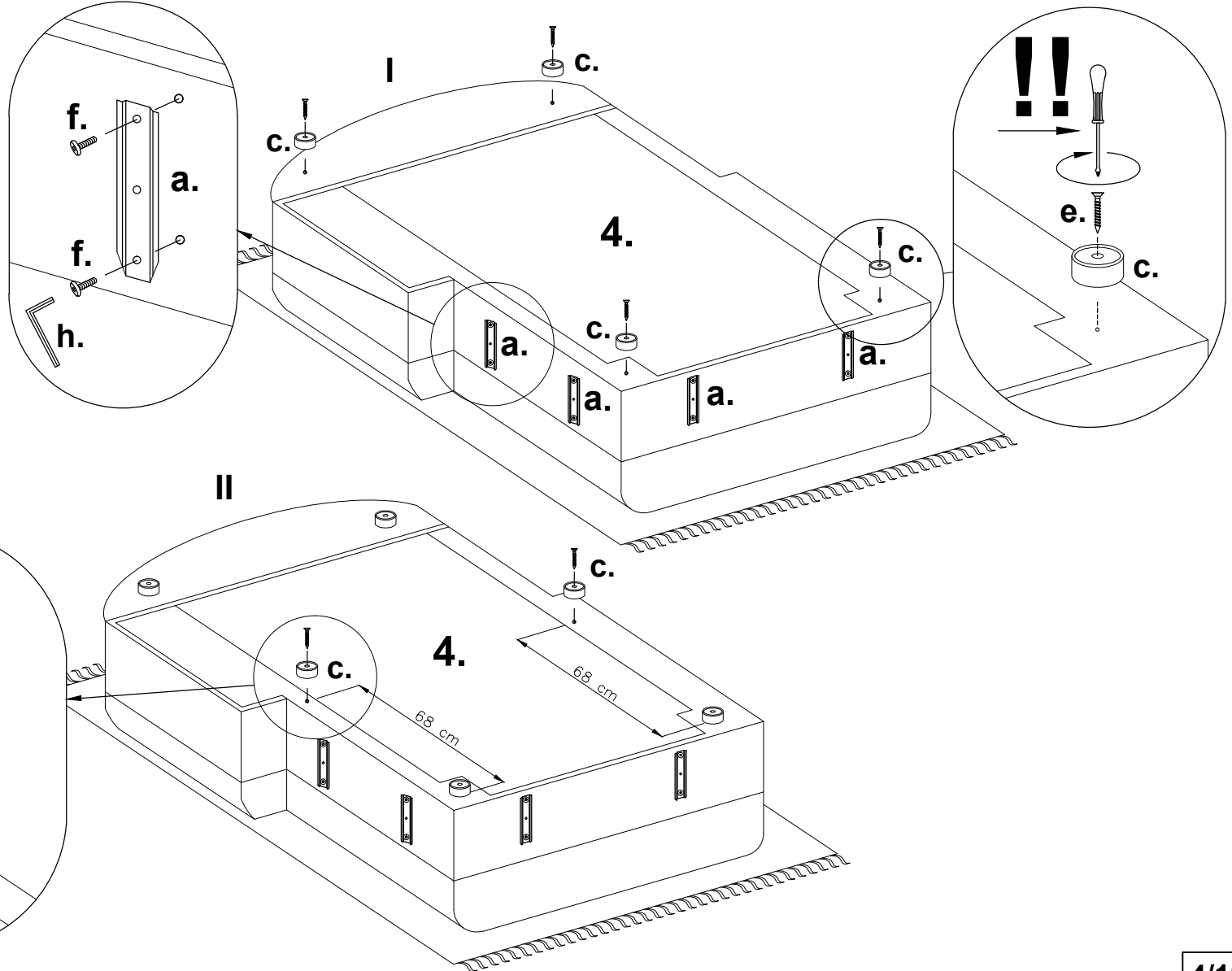
c. x 6   $\varnothing 50 \times 25$

e. x 6  4,5x40

a. x 4 

f. x 8  M6x20

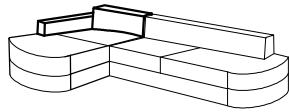
h. x 1  "4"



2024-04-23

# ARIOLA

V



L

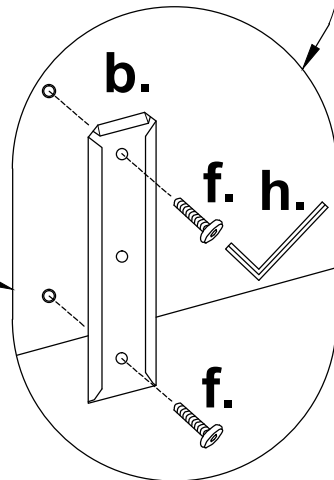
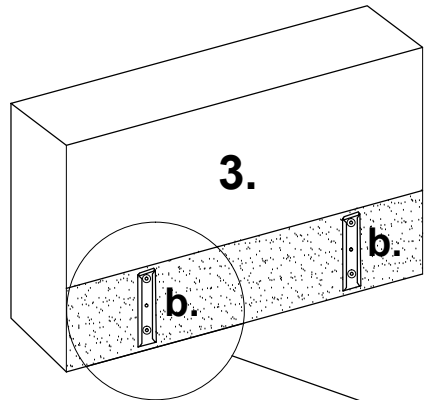
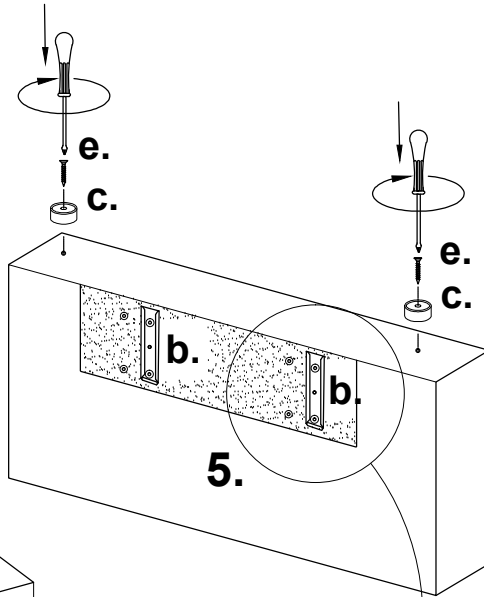
b. x 4

f. x 8 M6x20

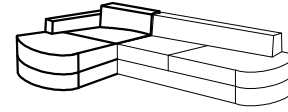
h. x 1 "4"

c. x 2 Ø50x25

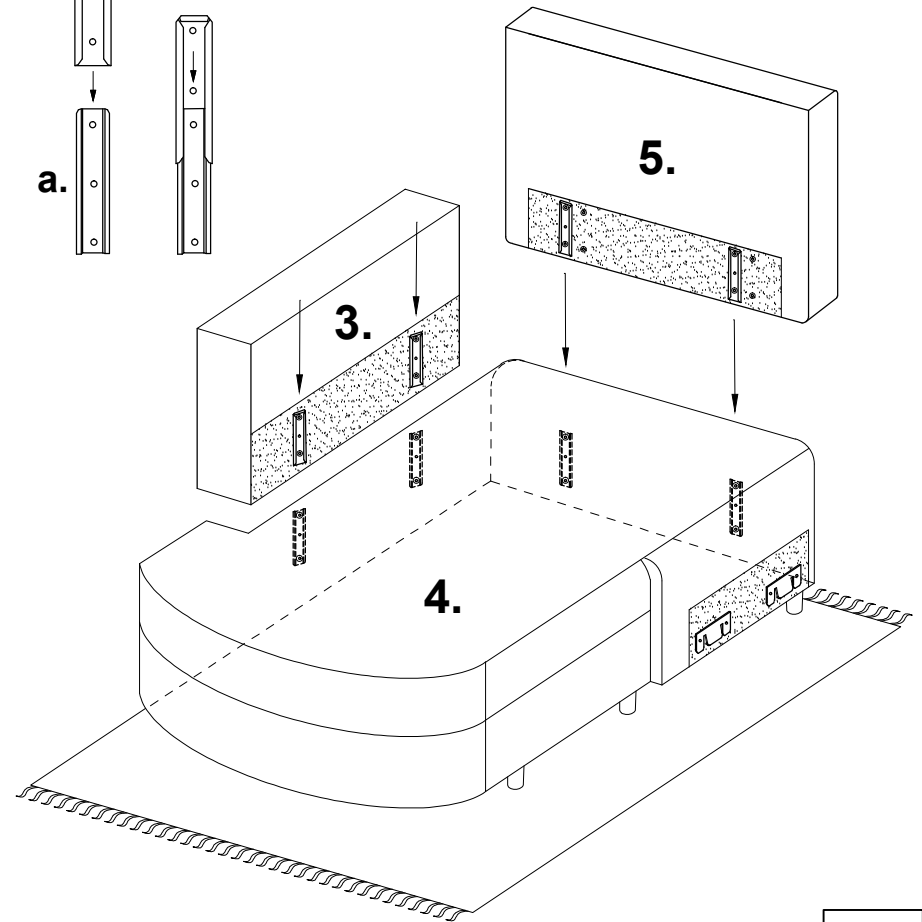
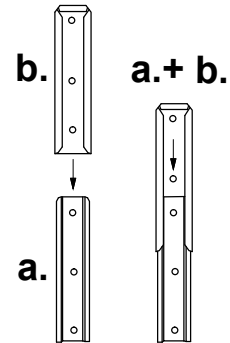
e. x 2 4,5x40



VI



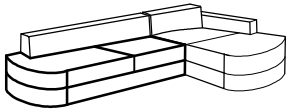
L



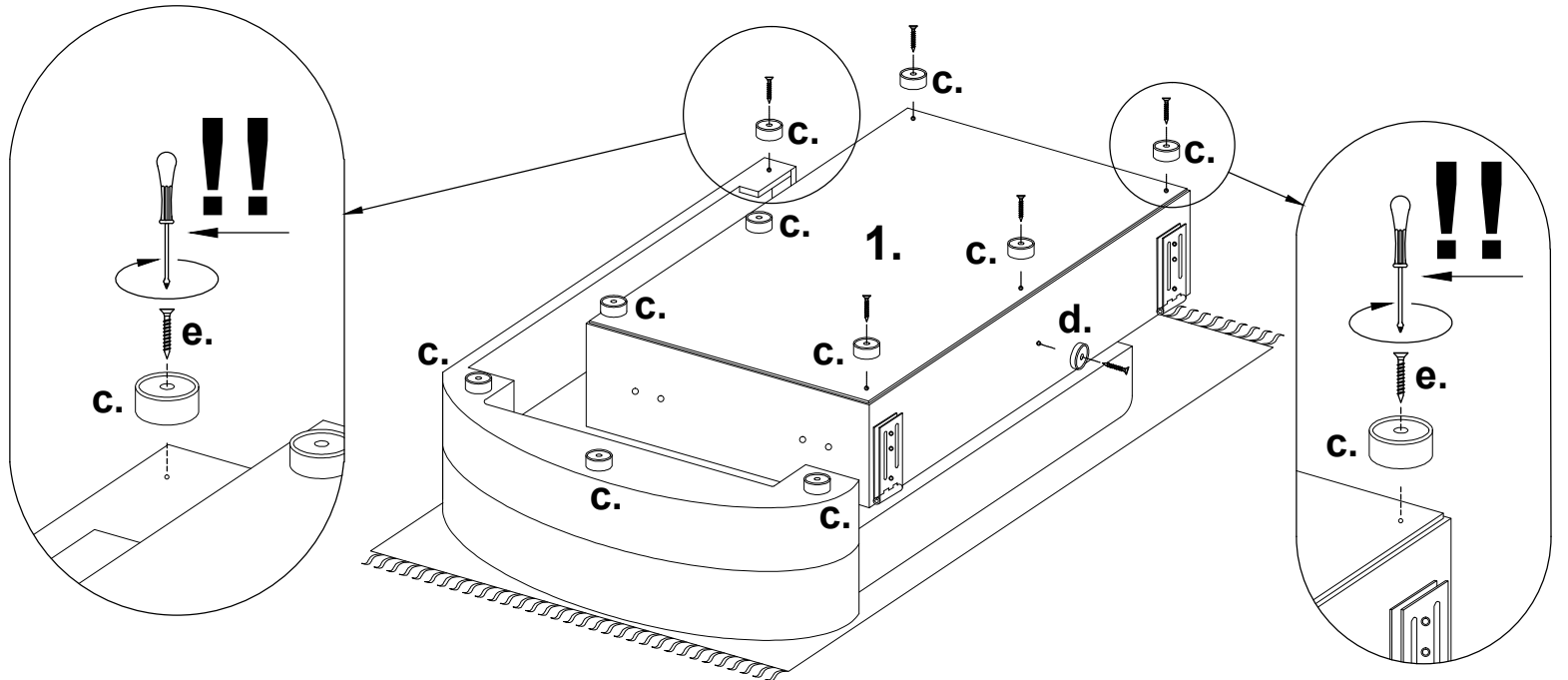
2024-04-23

# ARIOLA

I



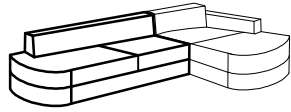
R



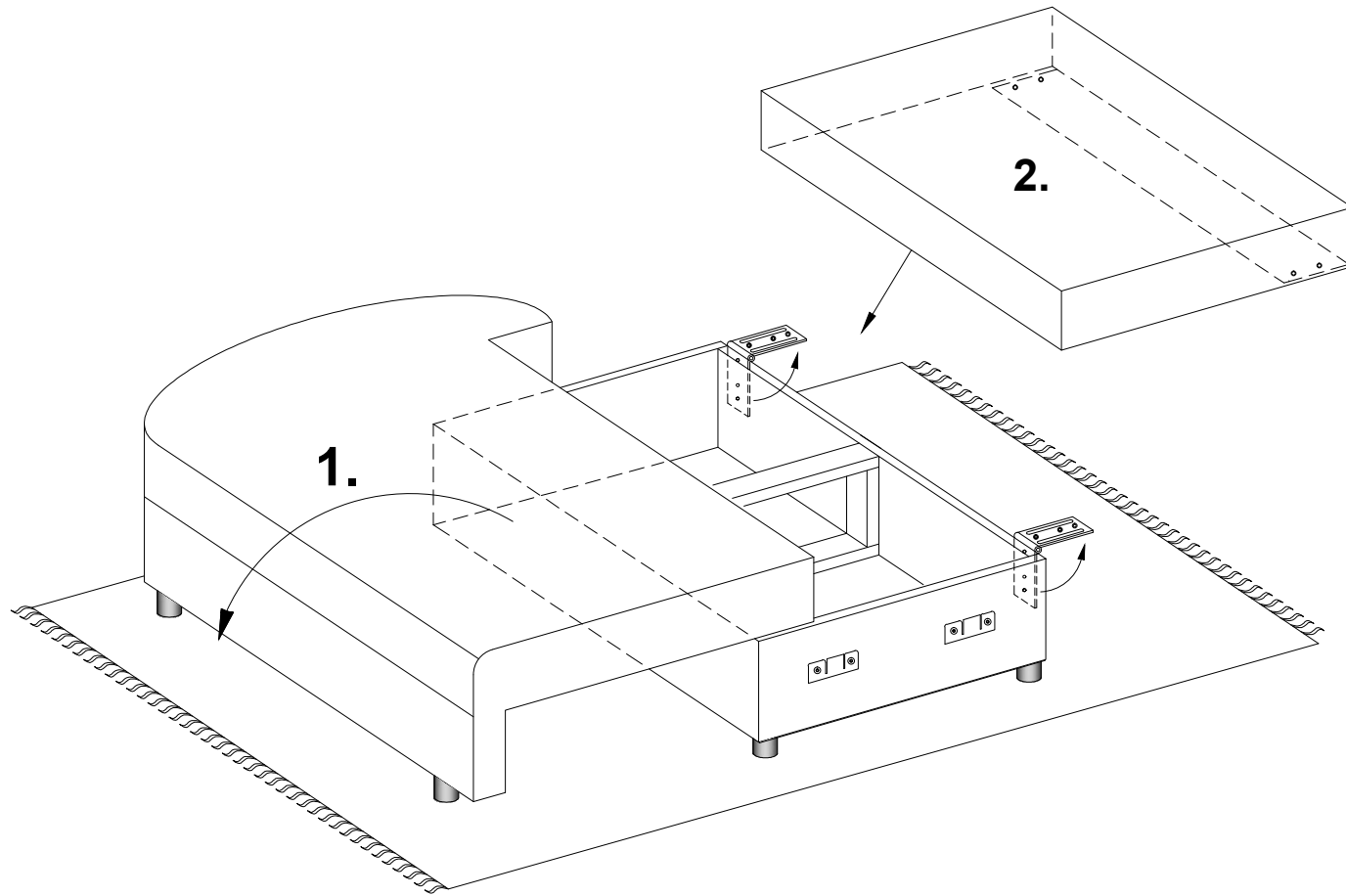
2024-04-23

# ARIOLA

II



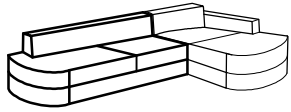
R



2024-04-23

# ARIOLA

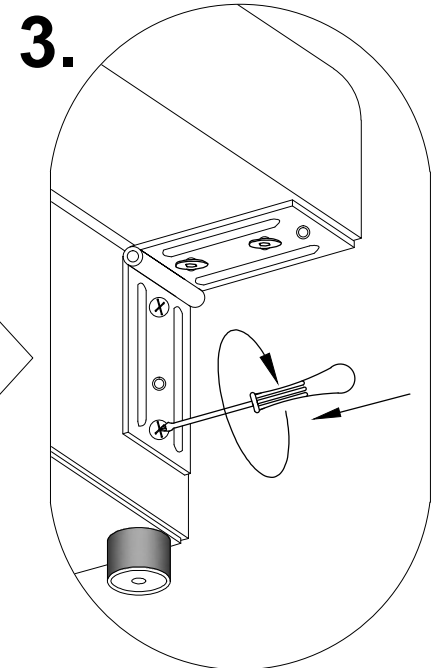
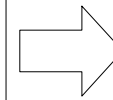
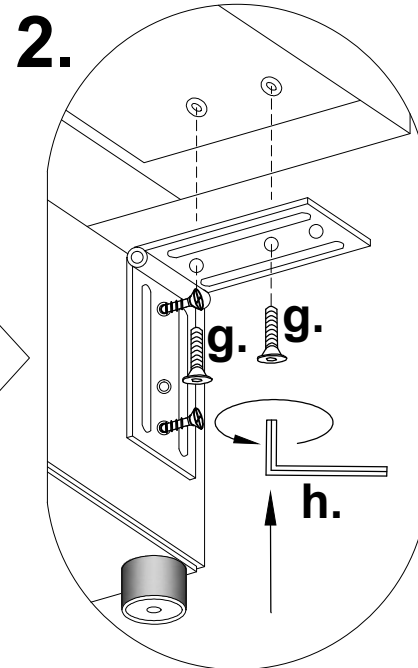
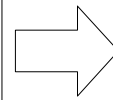
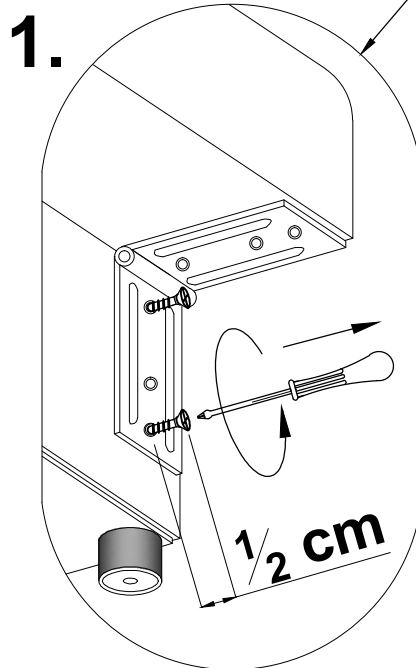
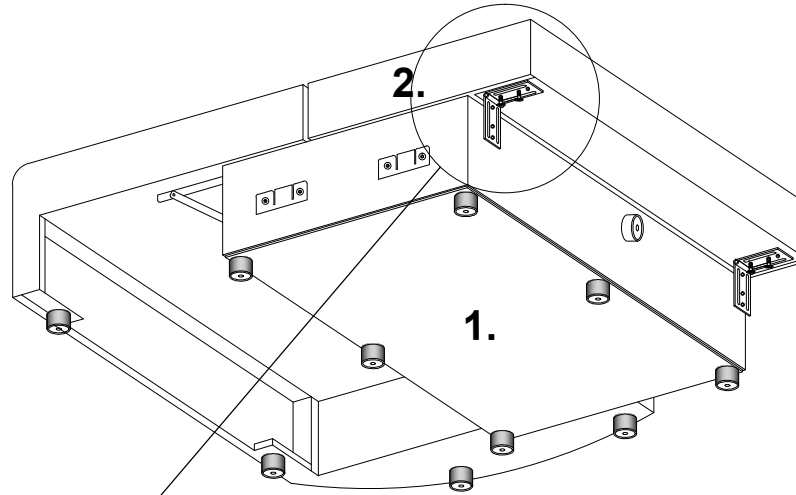
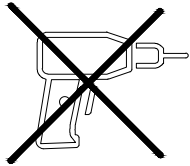
III



R

g. x 4  M6x25

h. x 1  "4"

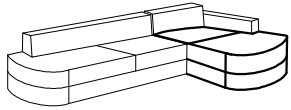




2024-04-23

# ARIOLA

IV



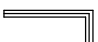
R

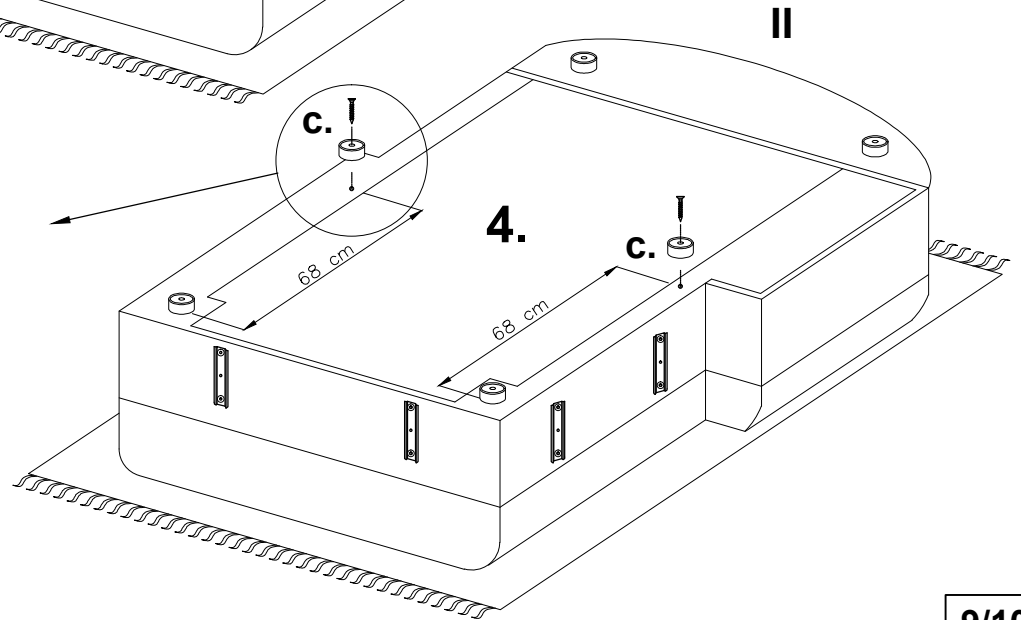
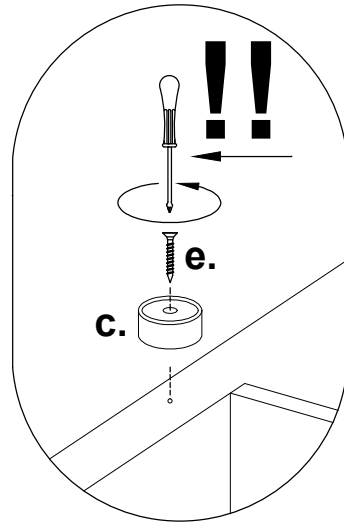
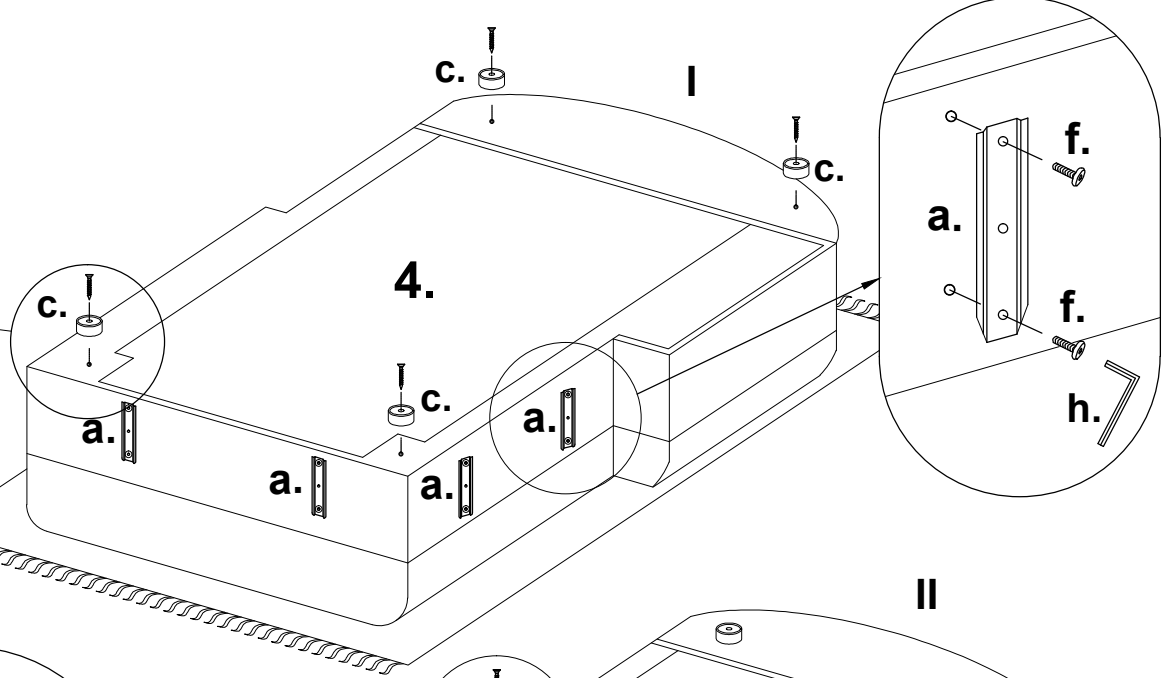
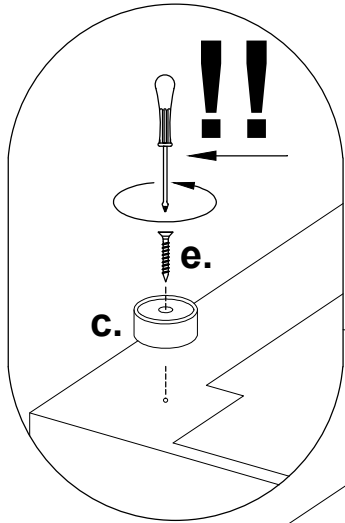
c. x 6  Ø50x25

e. x 6  4,5x40

a. x 4 

f. x 8  M6x20

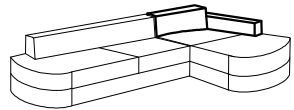
h. x 1  "4"



2024-04-23

# ARIOLA

V



R

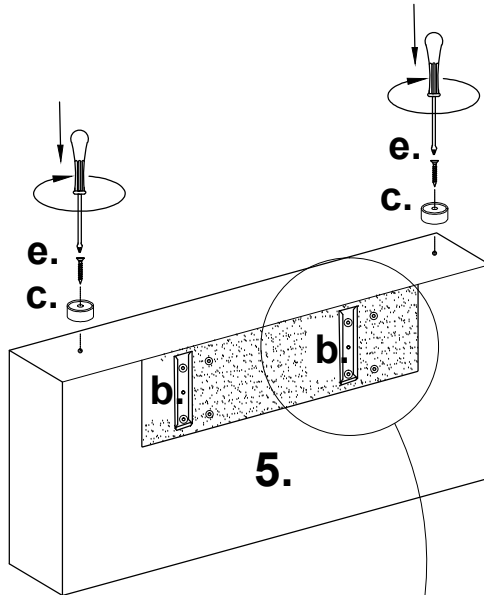
b. x 4

f. x 8 M6x20

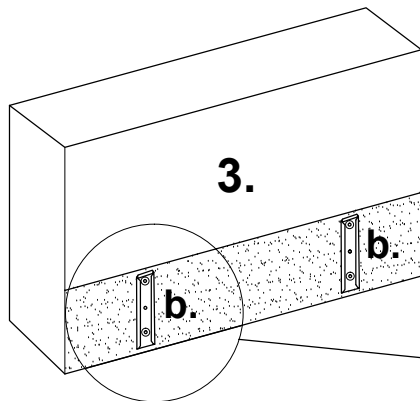
h. x 1 "4"

c. x 2 Ø50x25

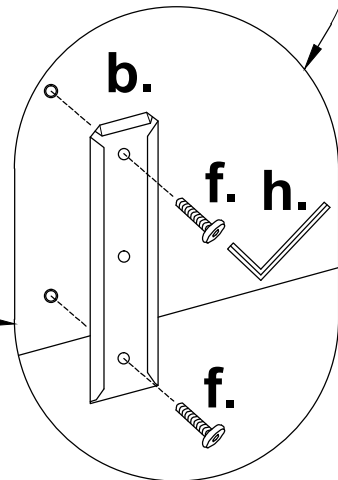
e. x 6 4,5x40



5.



3.

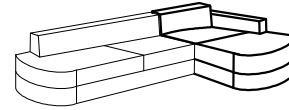


b.

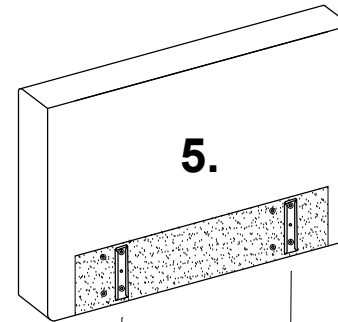
f. h.

f.

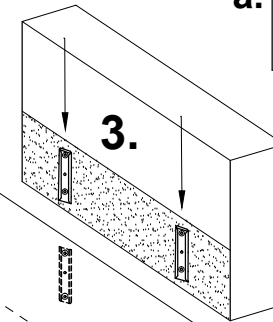
VI



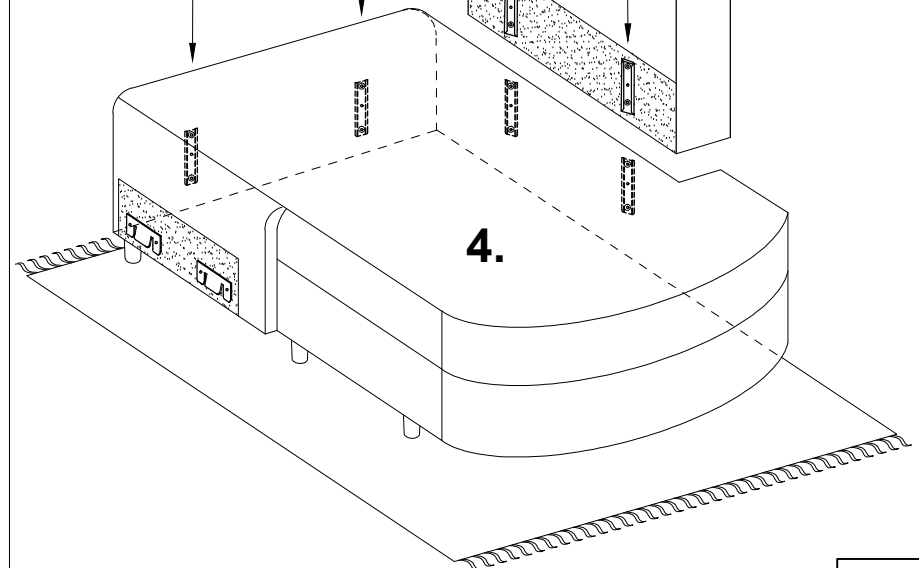
R



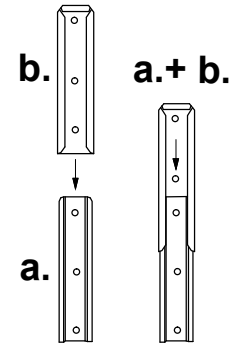
5.



3.



4.



b.

a. + b.

a.