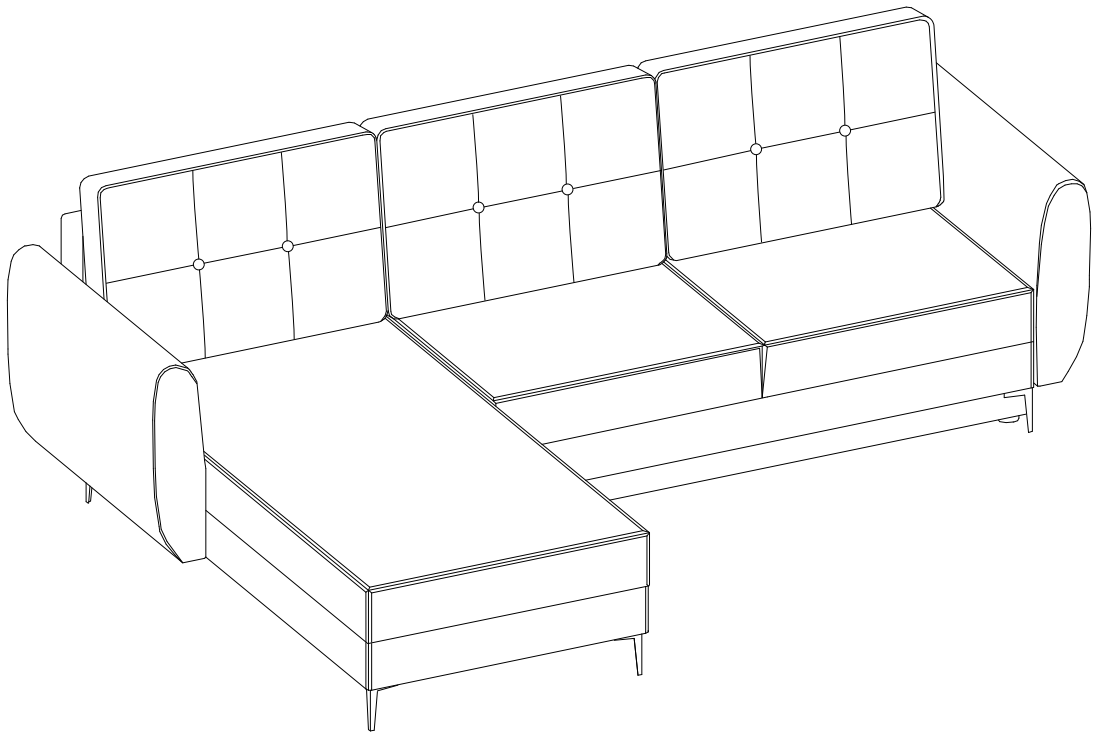
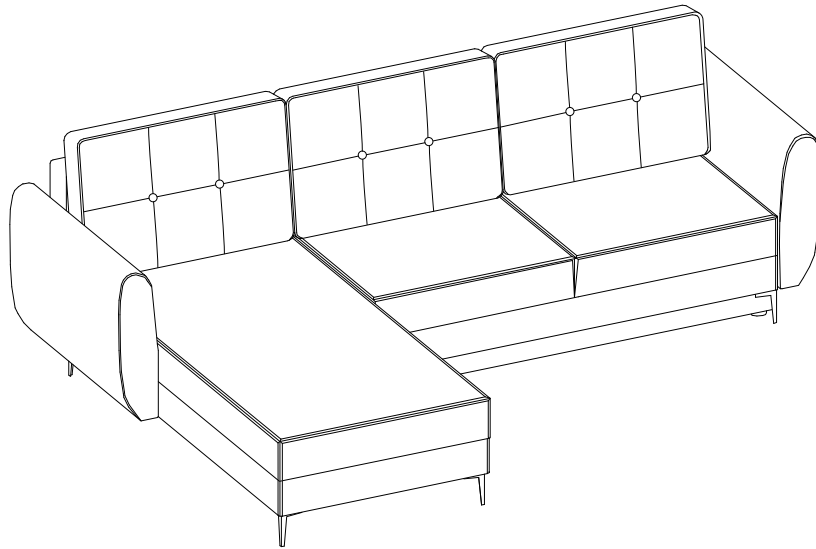
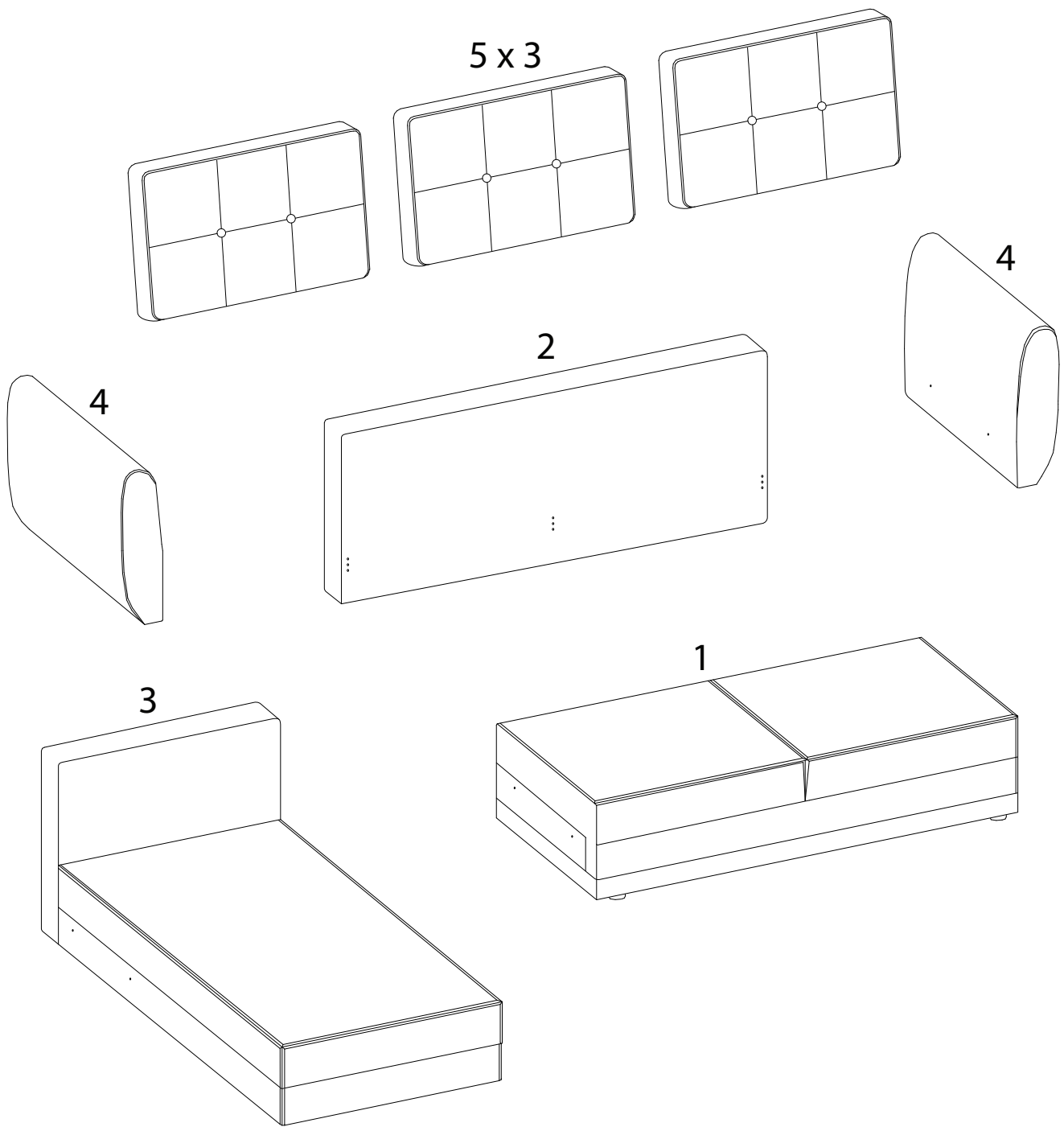


# SIMRIS



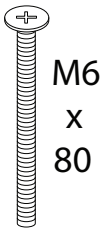


		40'
		2



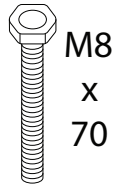
1	2	3	4	5
x 1	x 1	x 1	x 2	x 3

A



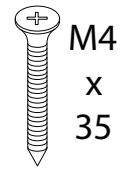
x 9

B



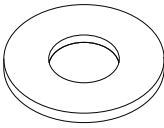
x 4

C



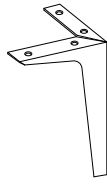
x 24

D



x 4

E



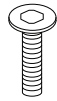
x 6

F<sub>1</sub>



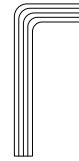
x 2

F<sub>2</sub>



x 2

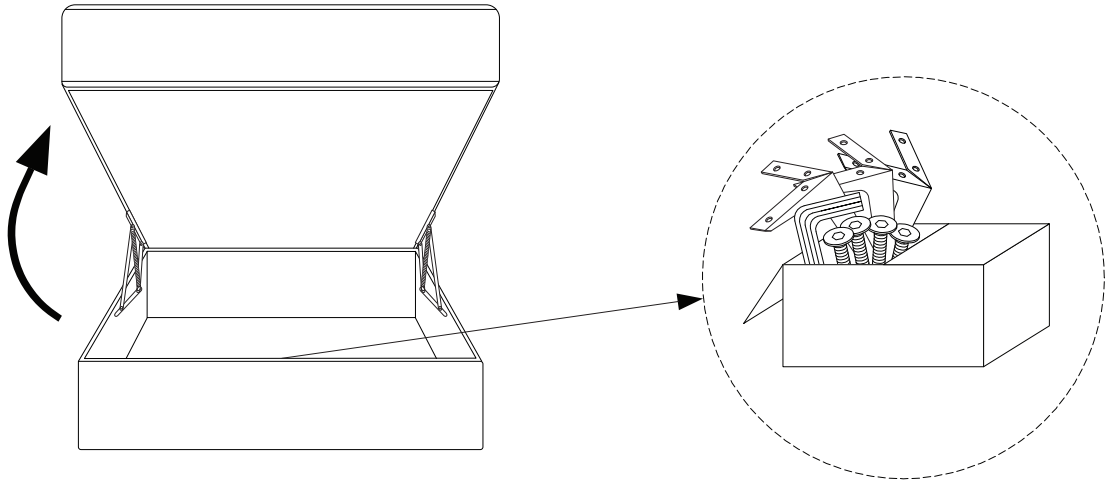
H



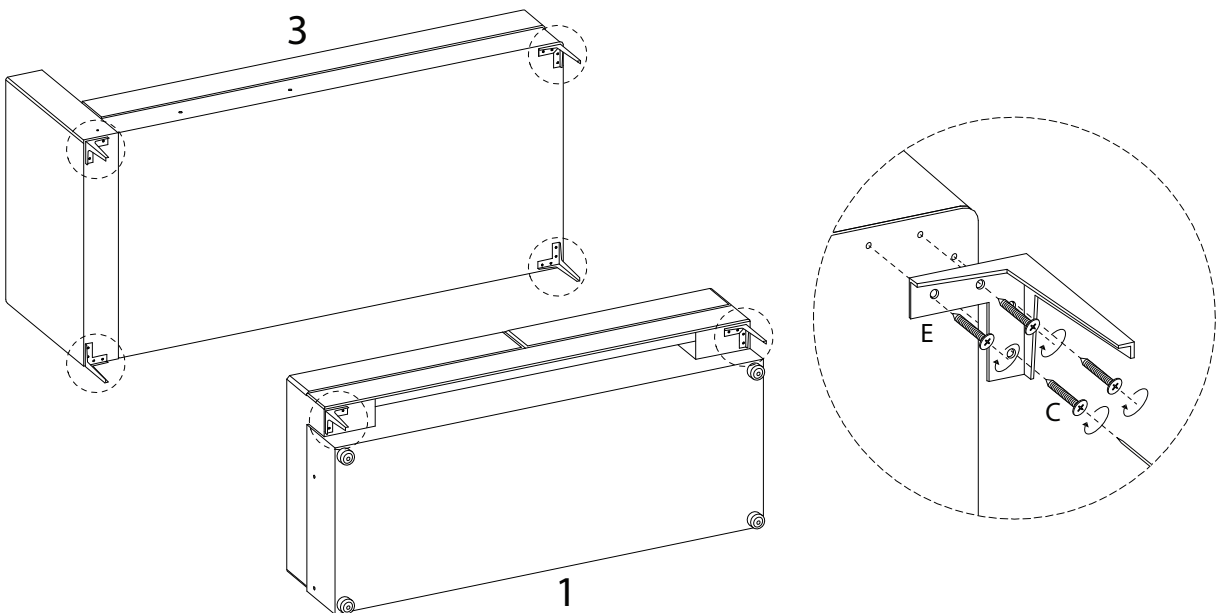
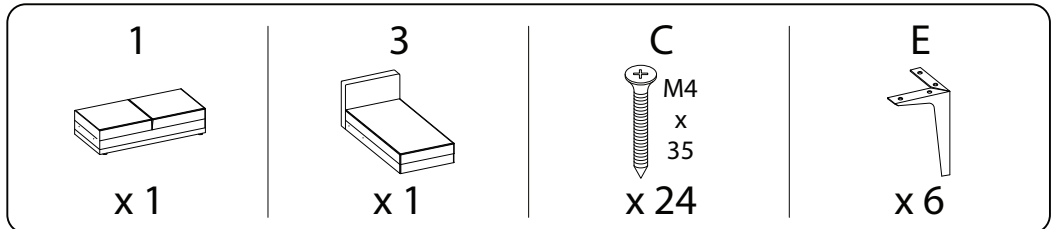
x 1

!

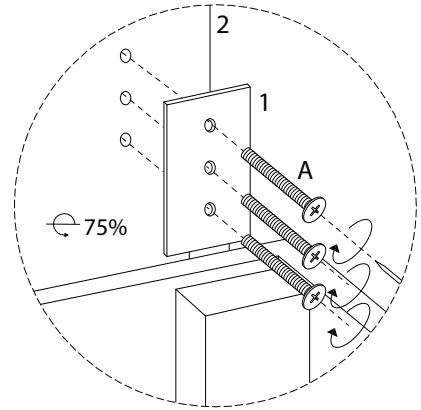
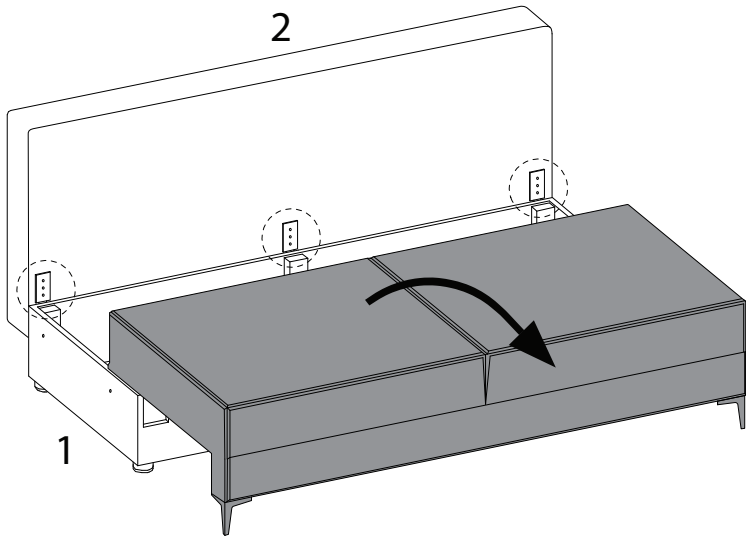
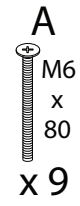
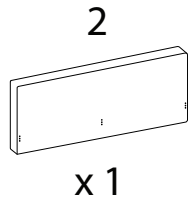
3



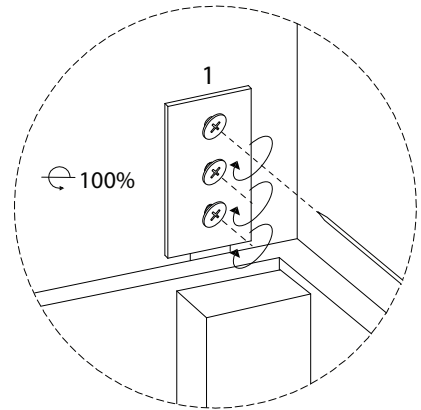
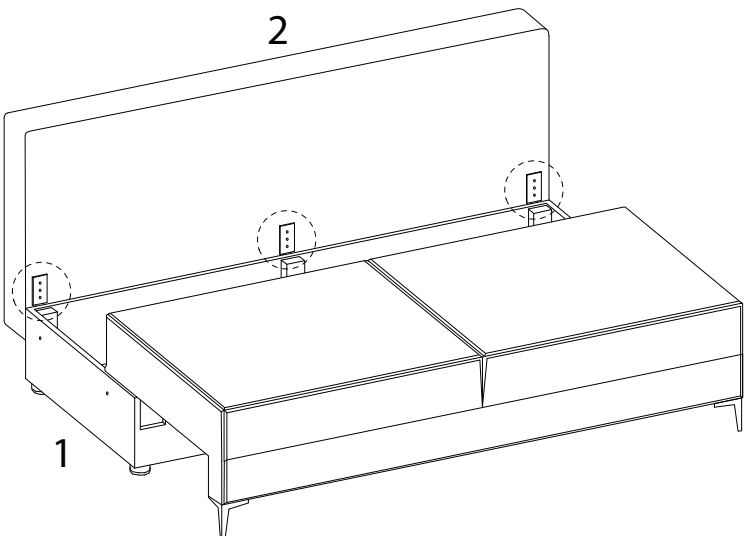
1



2



3



4

F<sub>1</sub>



x 2

F<sub>2</sub>

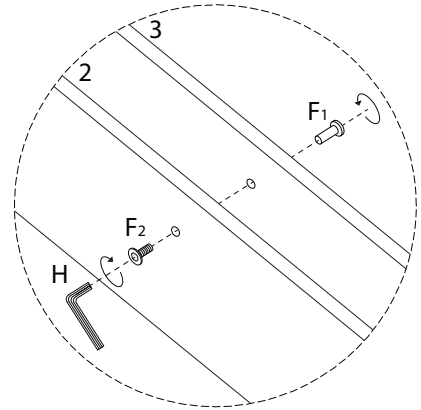
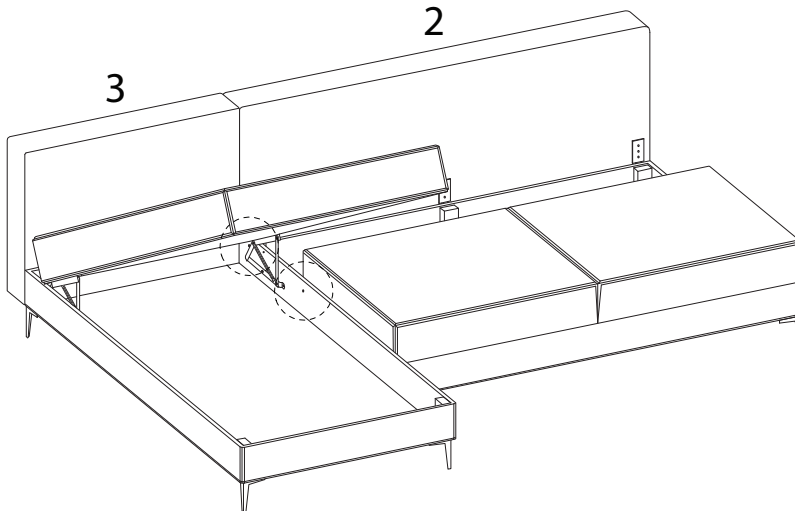


x 2

H



x 1



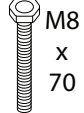
5

4



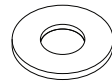
x 2

B

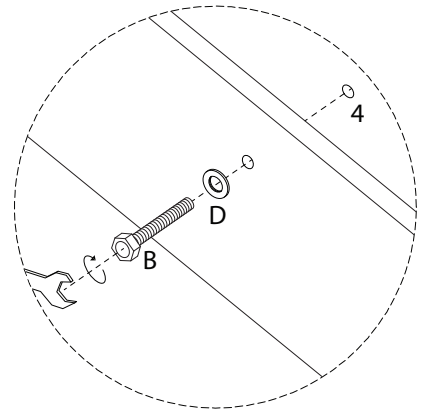
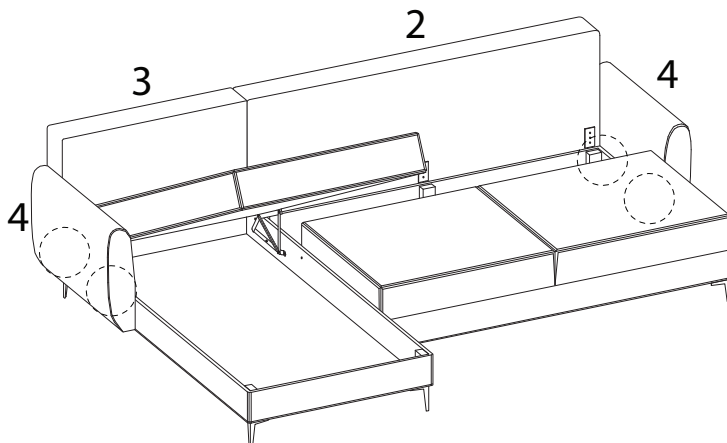


x 4

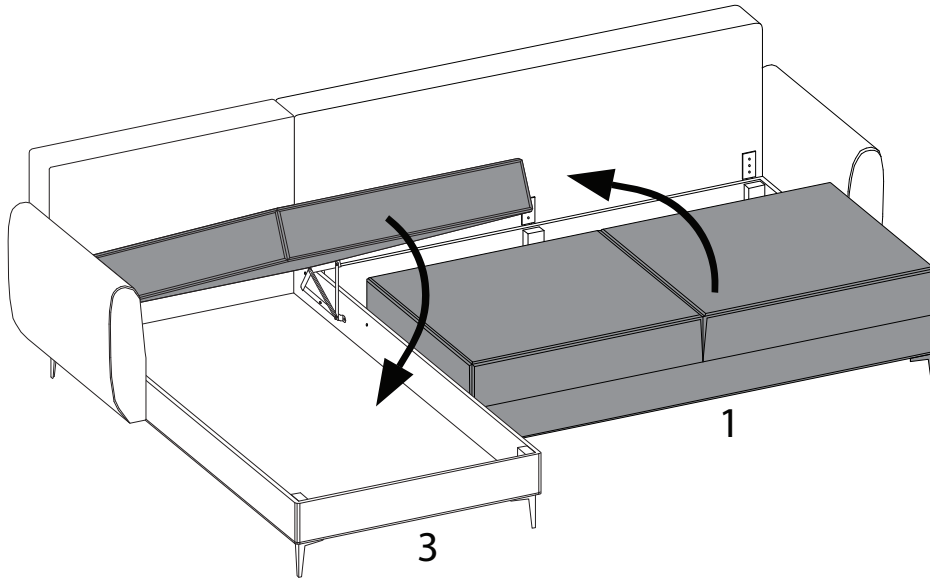
D



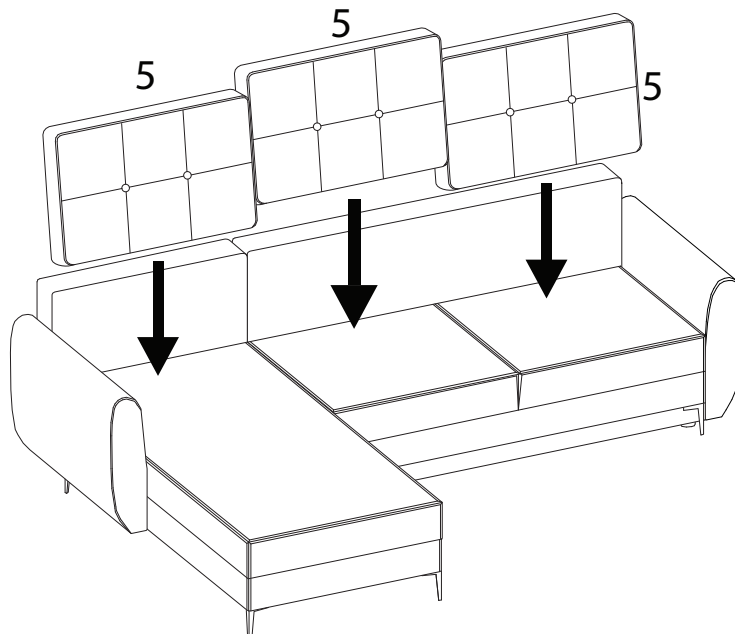
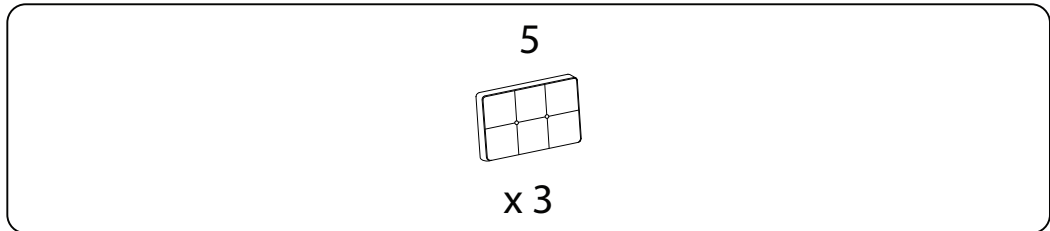
x 4



6

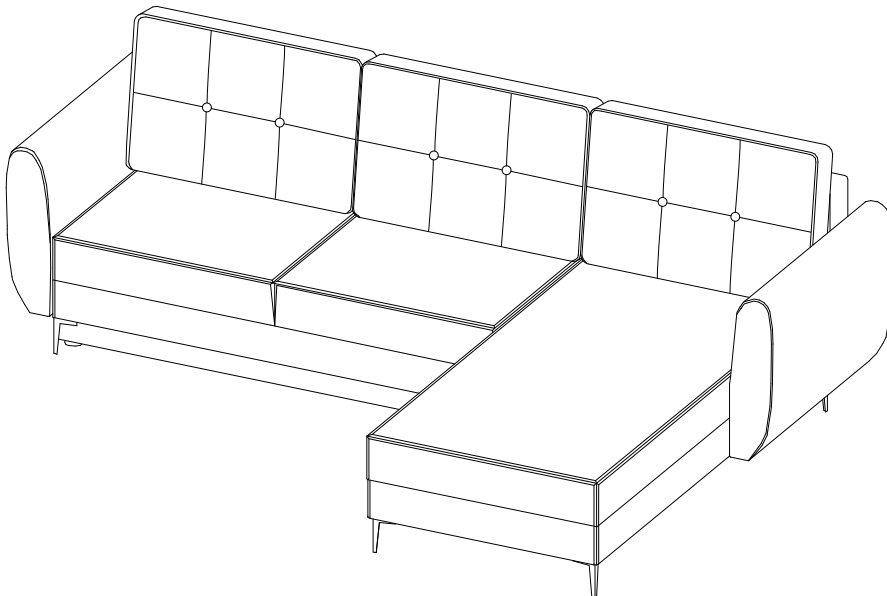
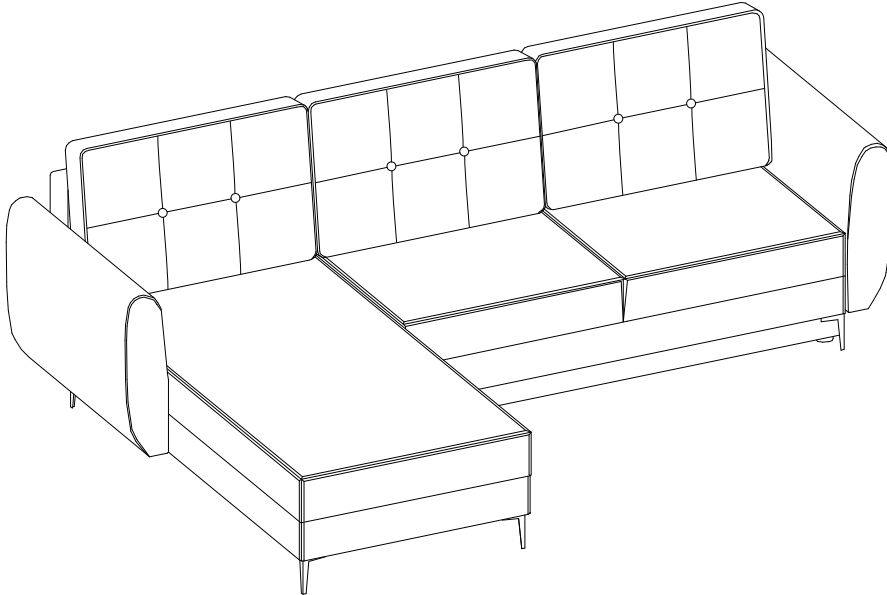


7





!



!

