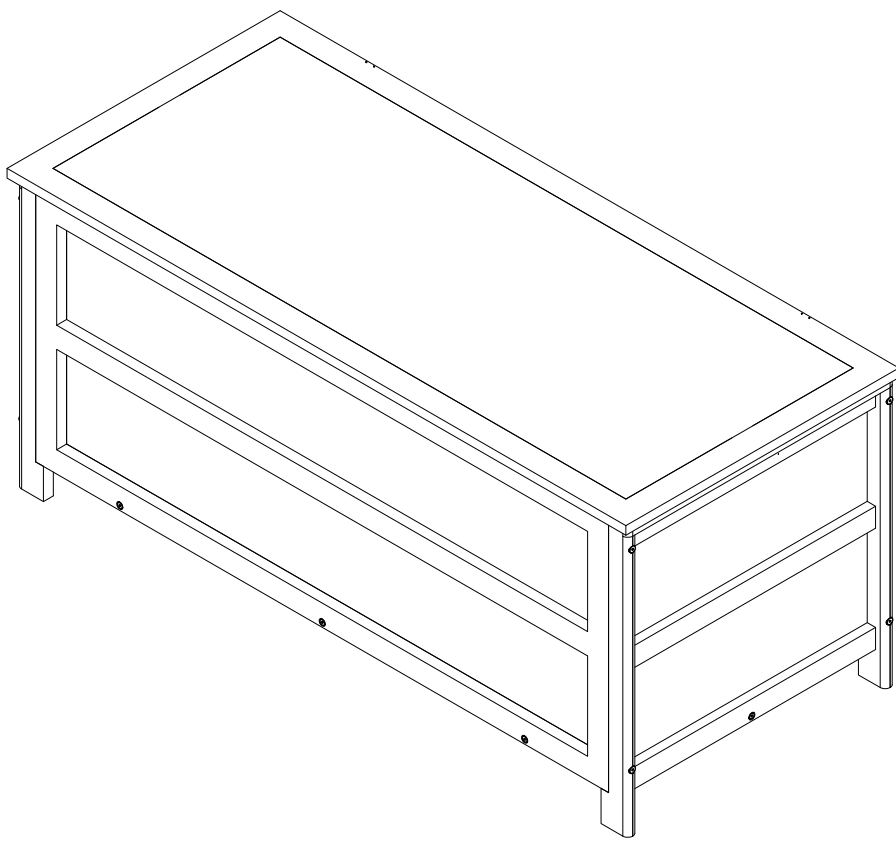
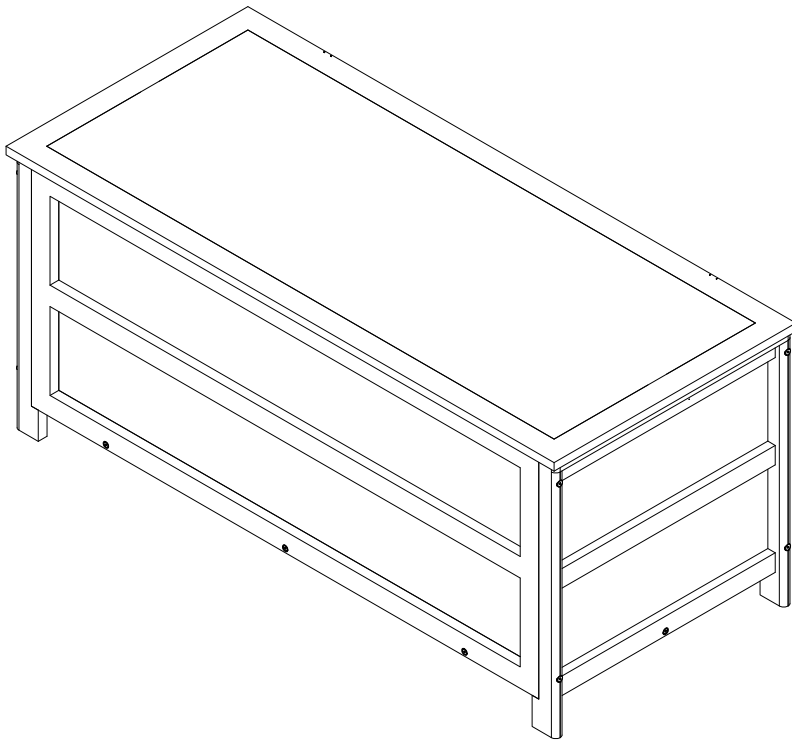


ACATE





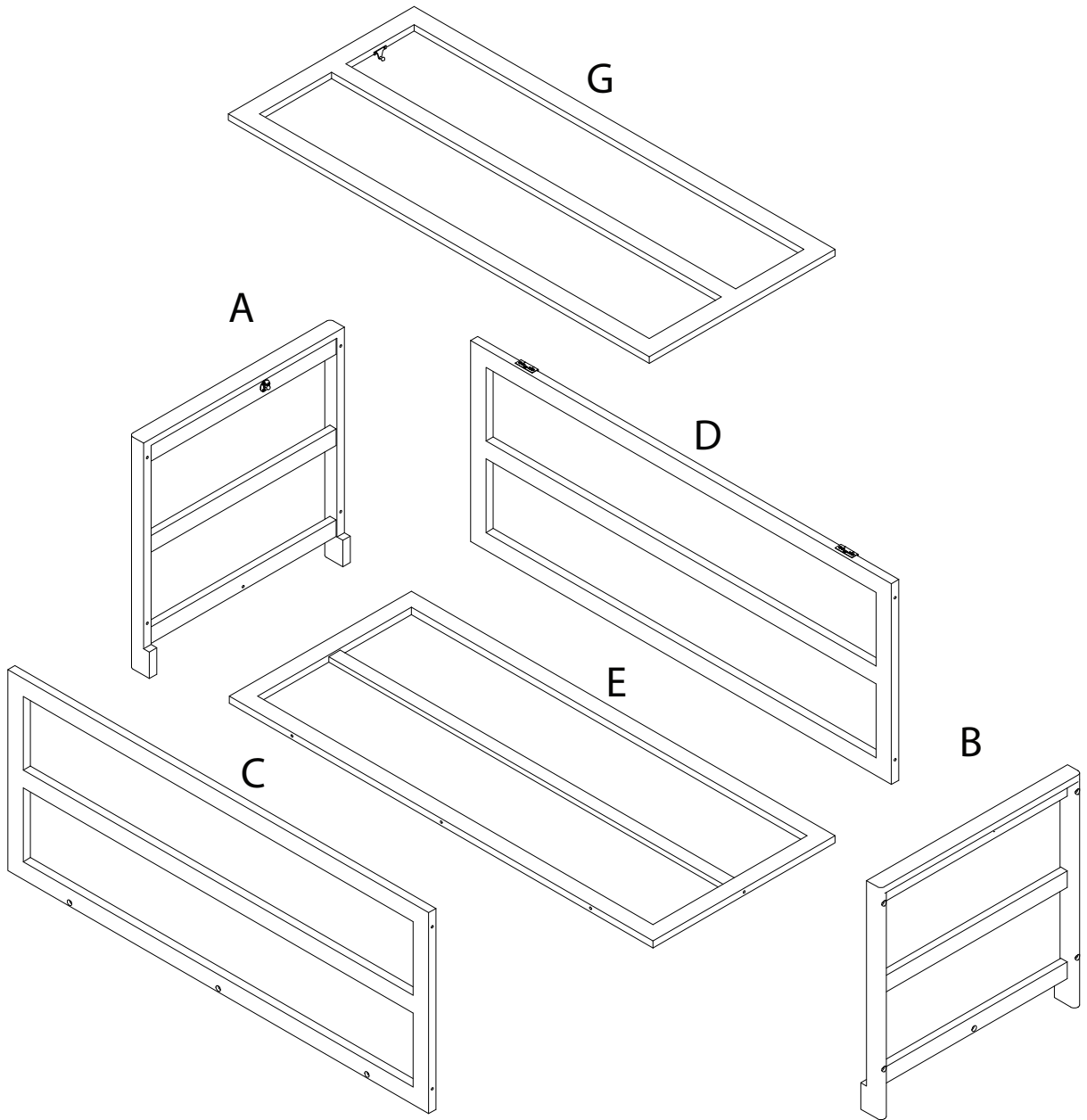
Assembly instructions for the table, including tool requirements, time, and personnel.

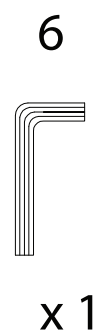
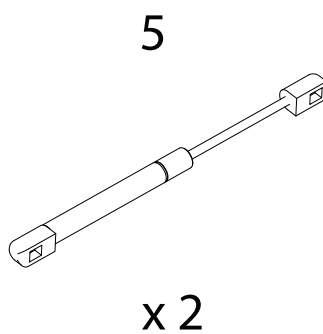
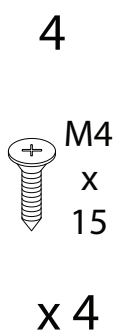
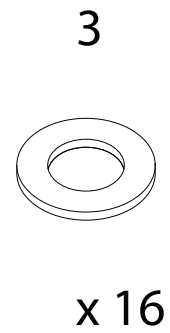
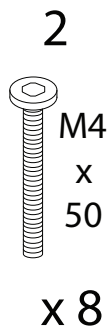
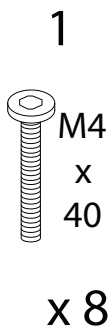
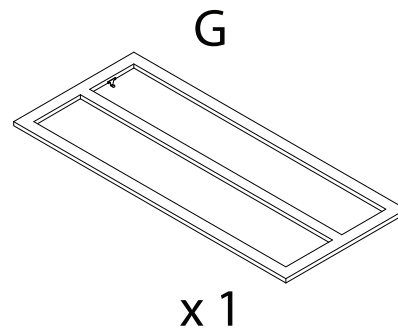
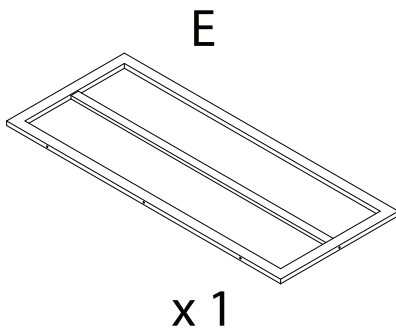
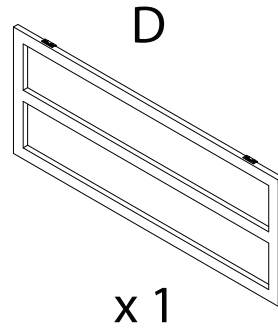
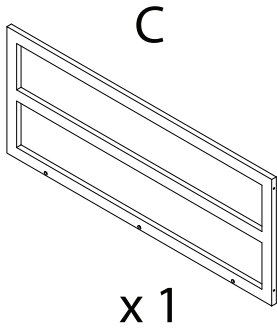
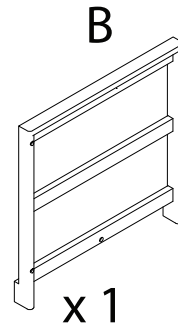
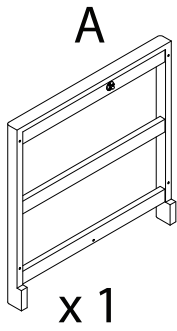
Tools: A circle containing a screwdriver and an Allen key. A power drill is shown with a diagonal line through it, indicating it is not to be used.

Warnings: Two warning triangles (exclamation marks) are present. The first is connected to the tool icons, and the second is connected to the material handling icon.

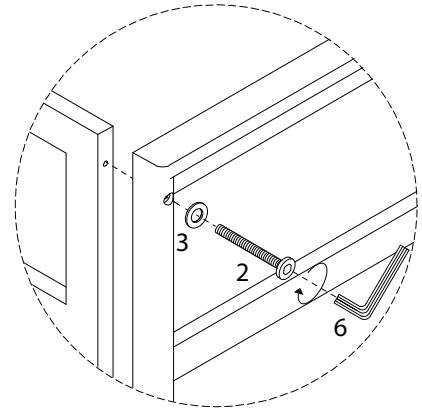
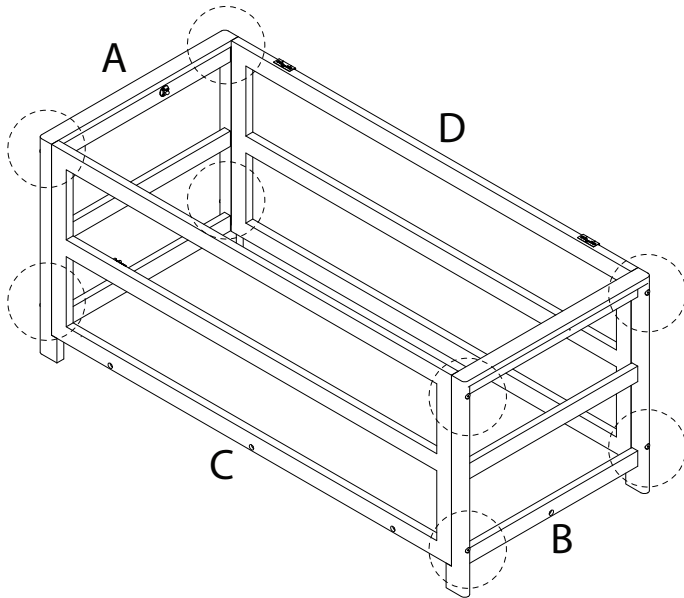
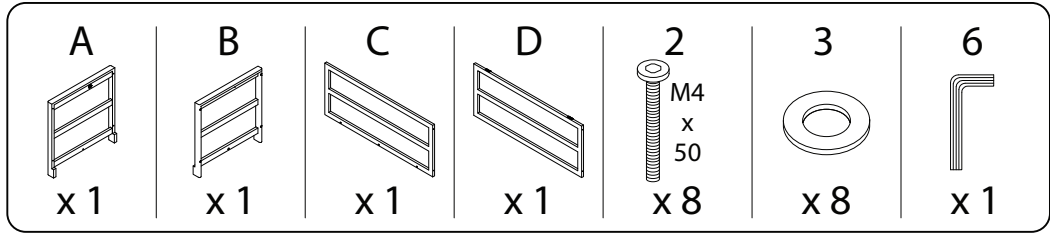
Time: A clock icon with a circular arrow indicates an estimated assembly time of 25 minutes.

Personnel: An icon of a person and the number 2 indicate that two people are required for assembly.

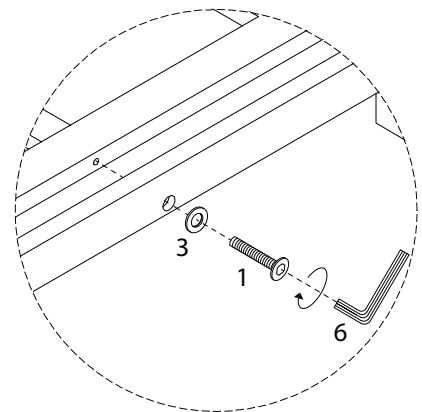
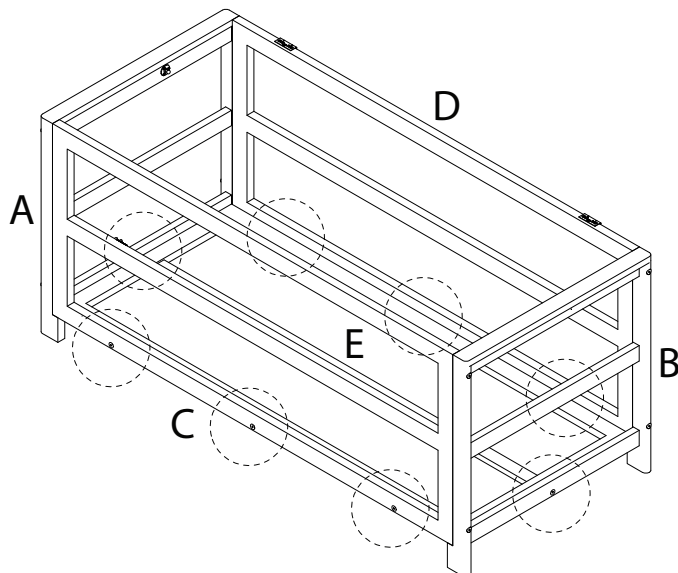
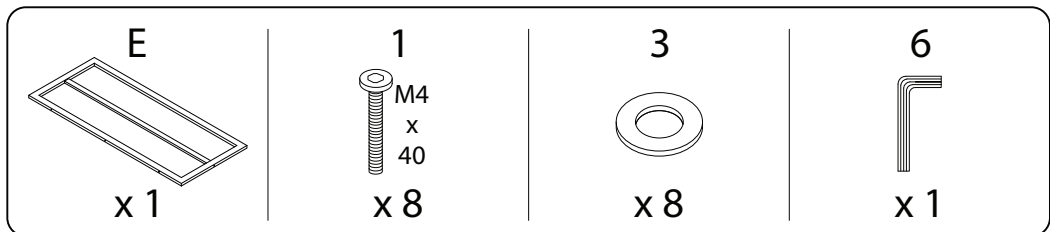




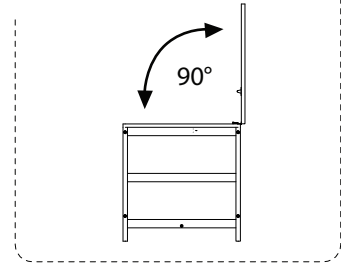
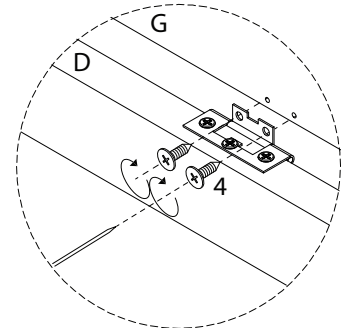
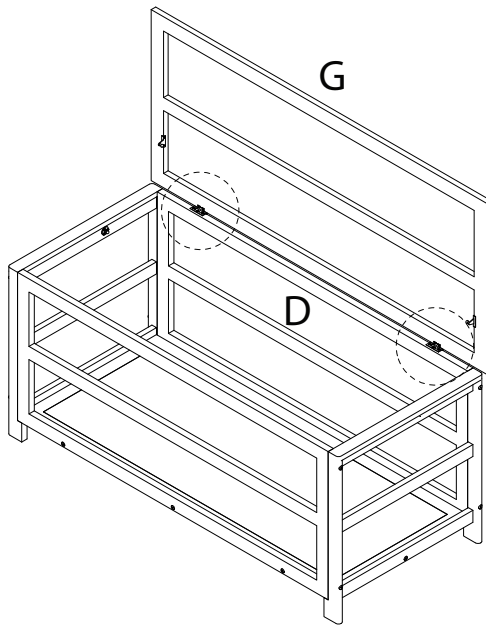
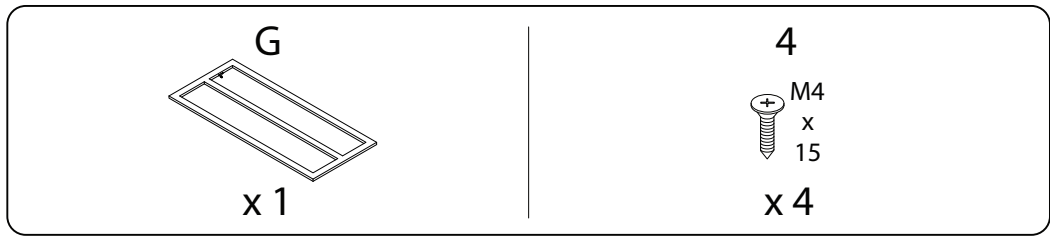
1



2



3



4

