

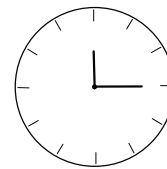
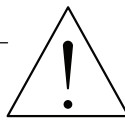
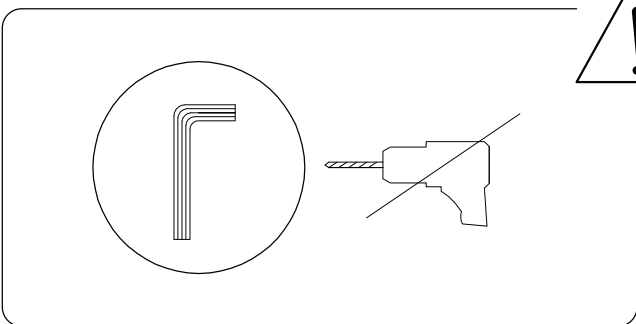
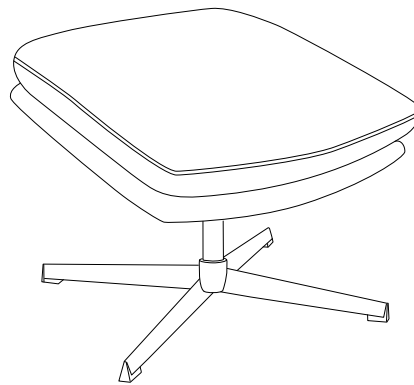
# EIDE



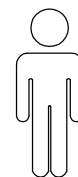
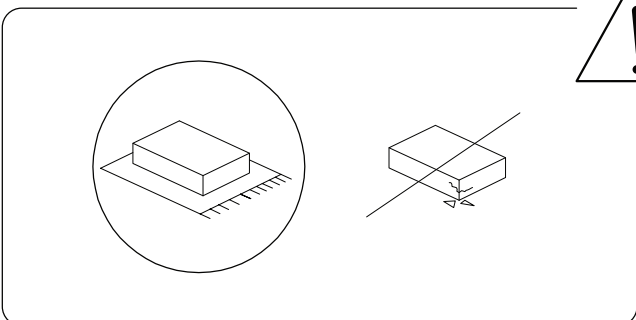
A



B

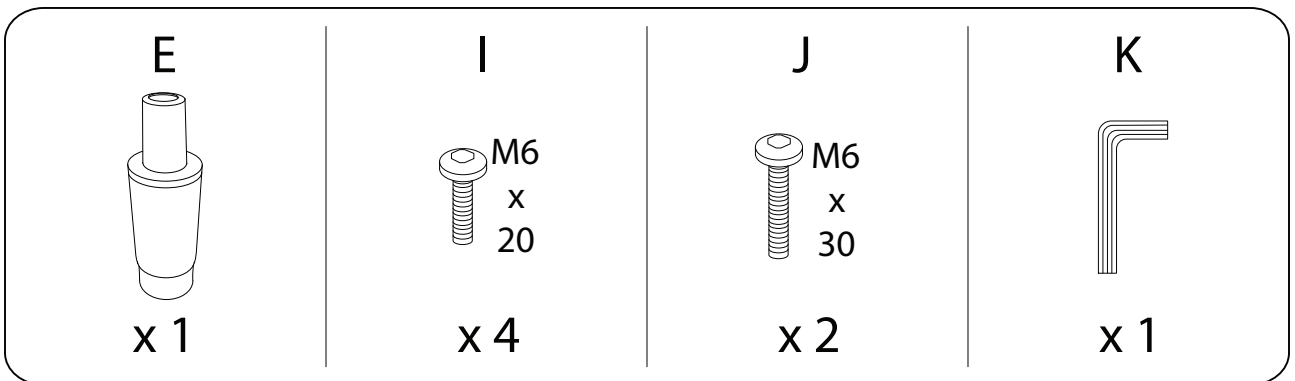
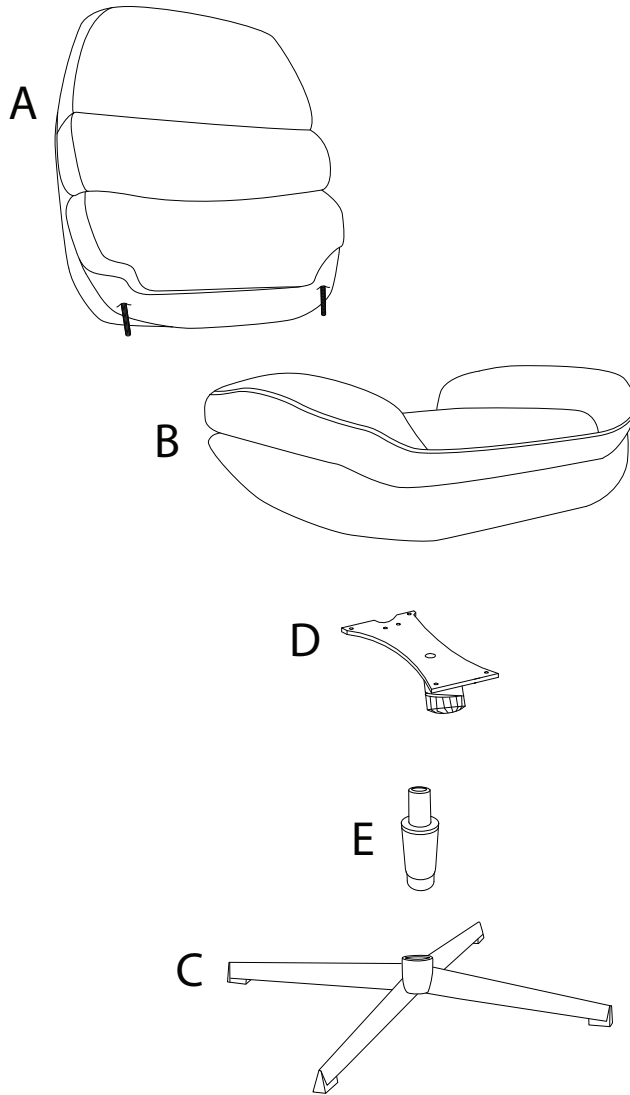
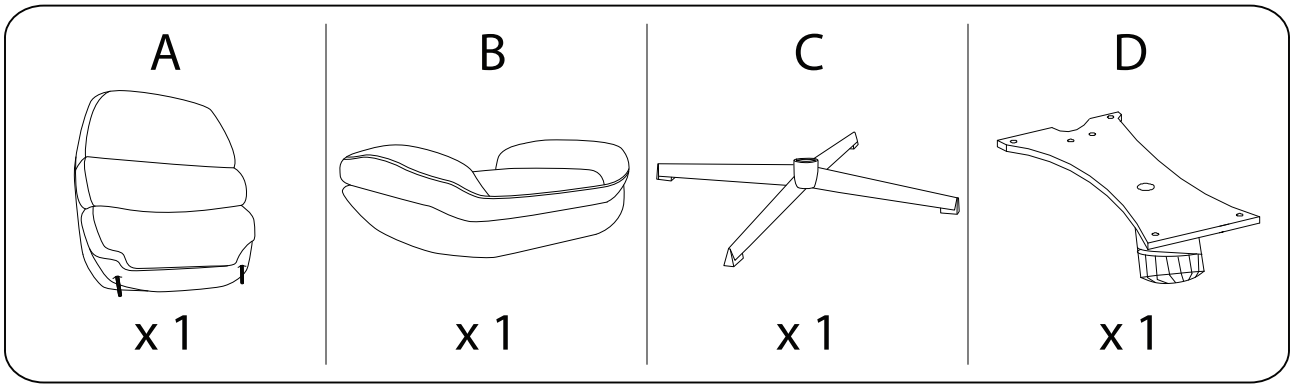


15'



1

# A



1

A

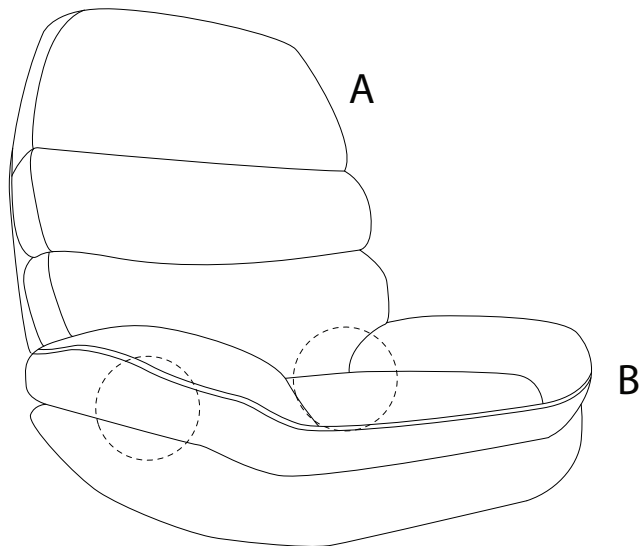


x 1

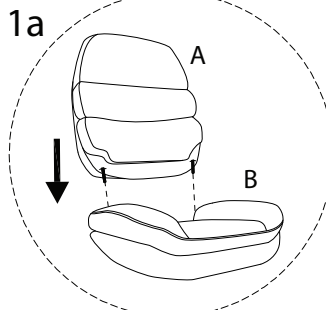
B



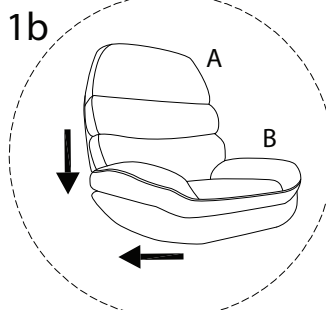
x 1



1a



1b



2

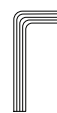
J



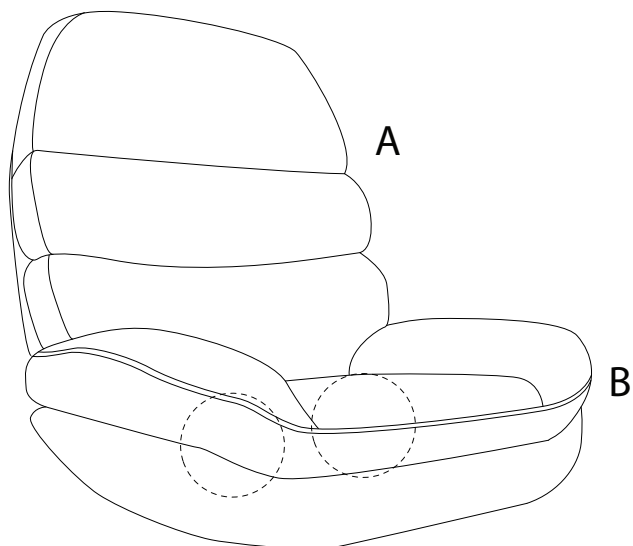
M6  
x  
30

x 2

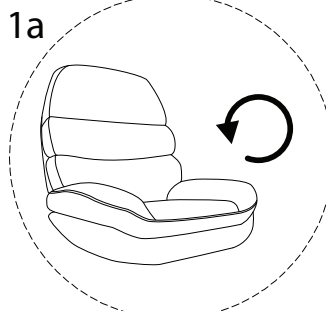
K



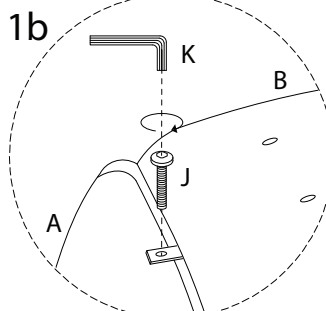
x 1



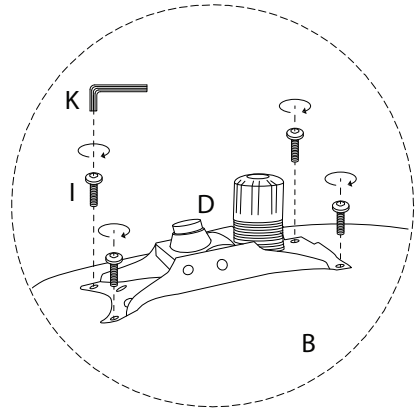
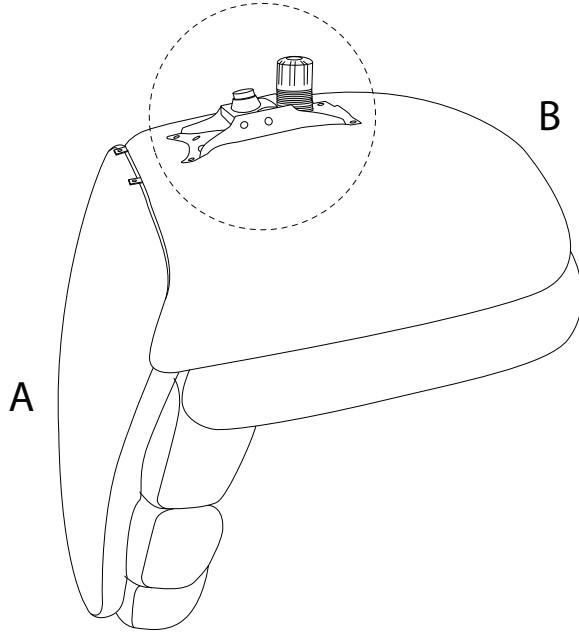
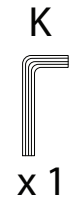
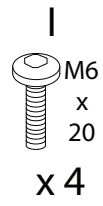
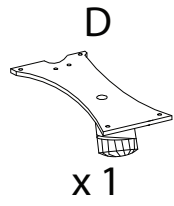
1a



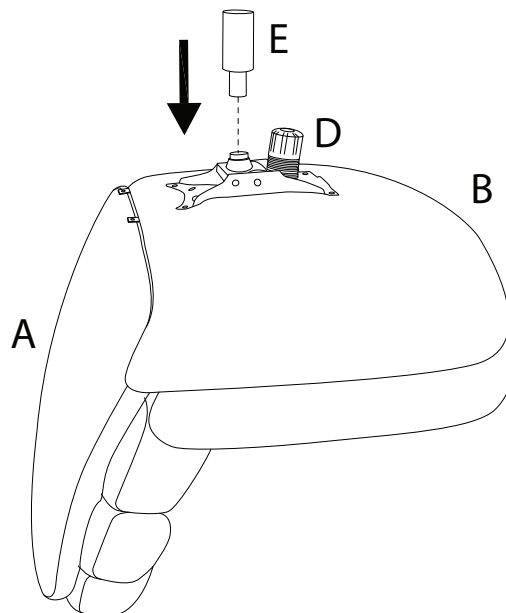
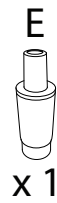
1b



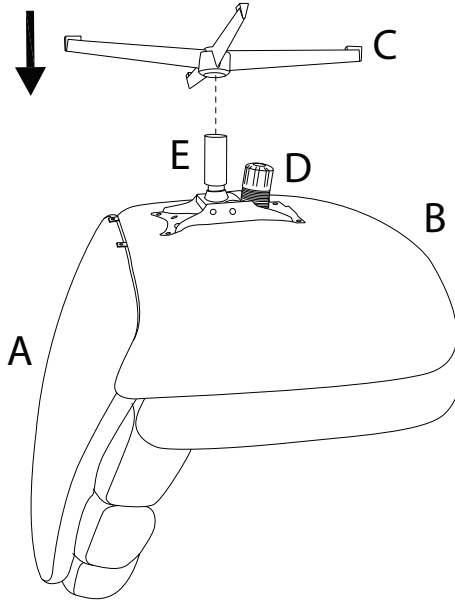
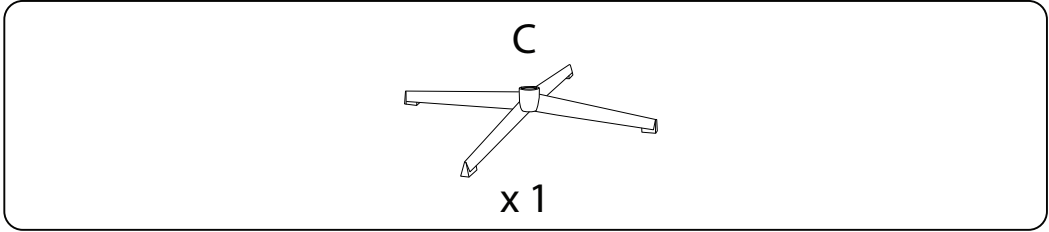
3



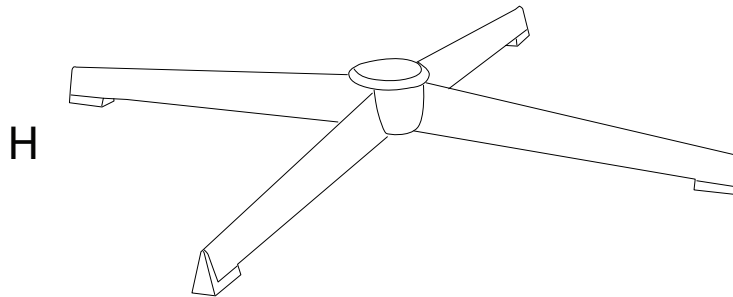
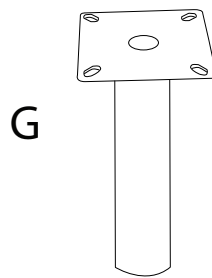
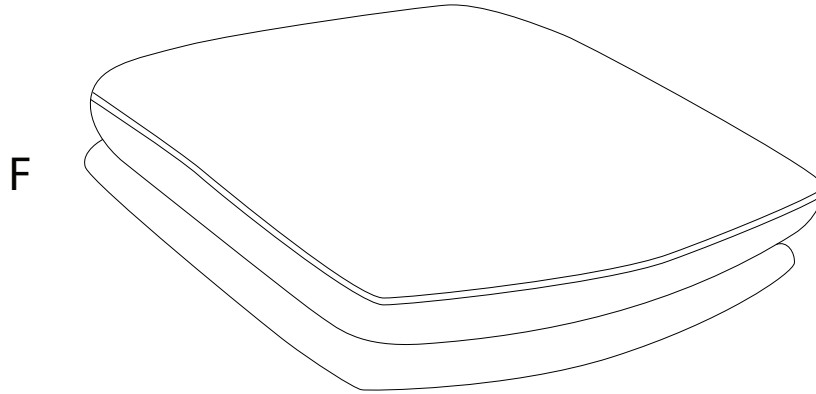
4

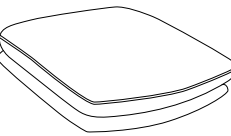
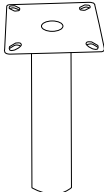
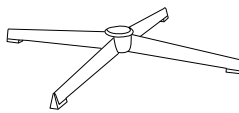

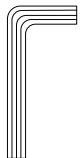


5

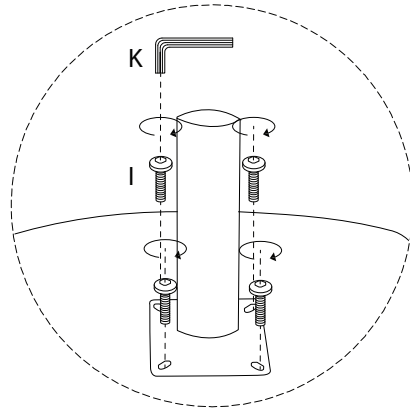
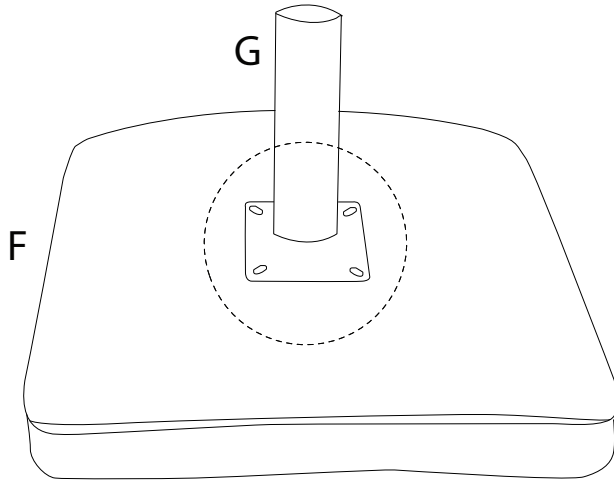
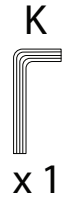
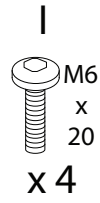
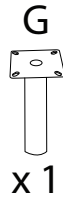
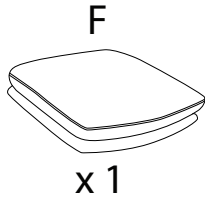


# B



F	G	H	I	K
				
x 1	x 1	x 1	x 4	x 1

1



2

