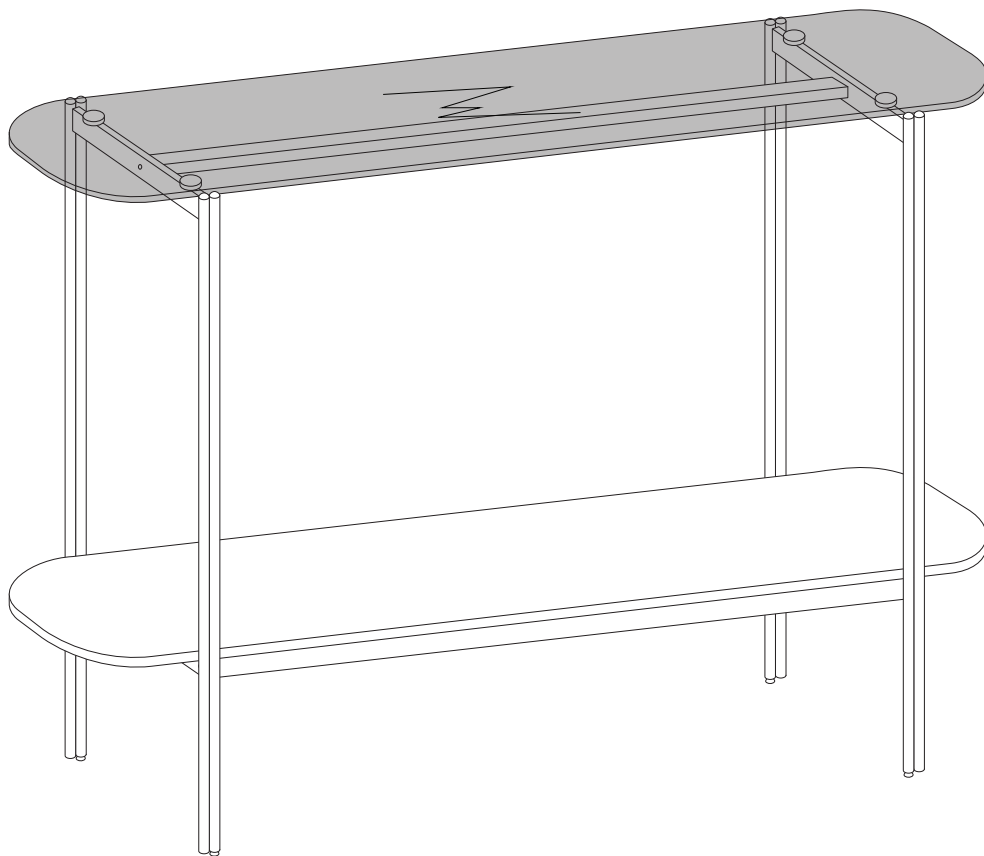
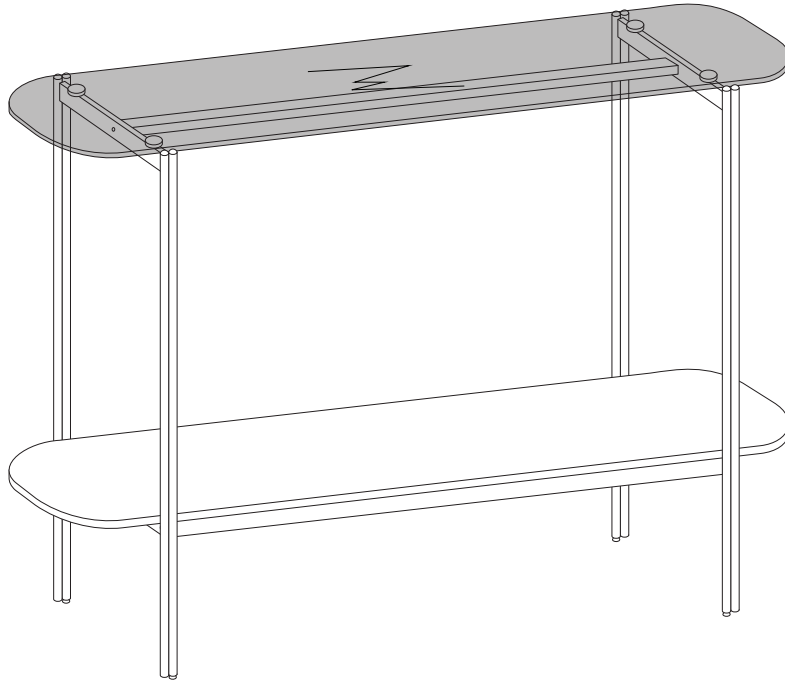
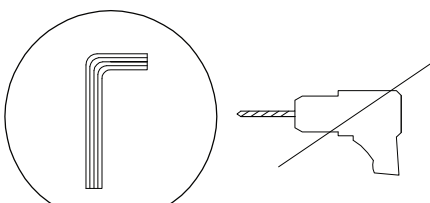

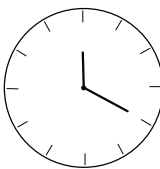
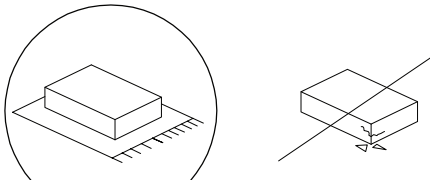


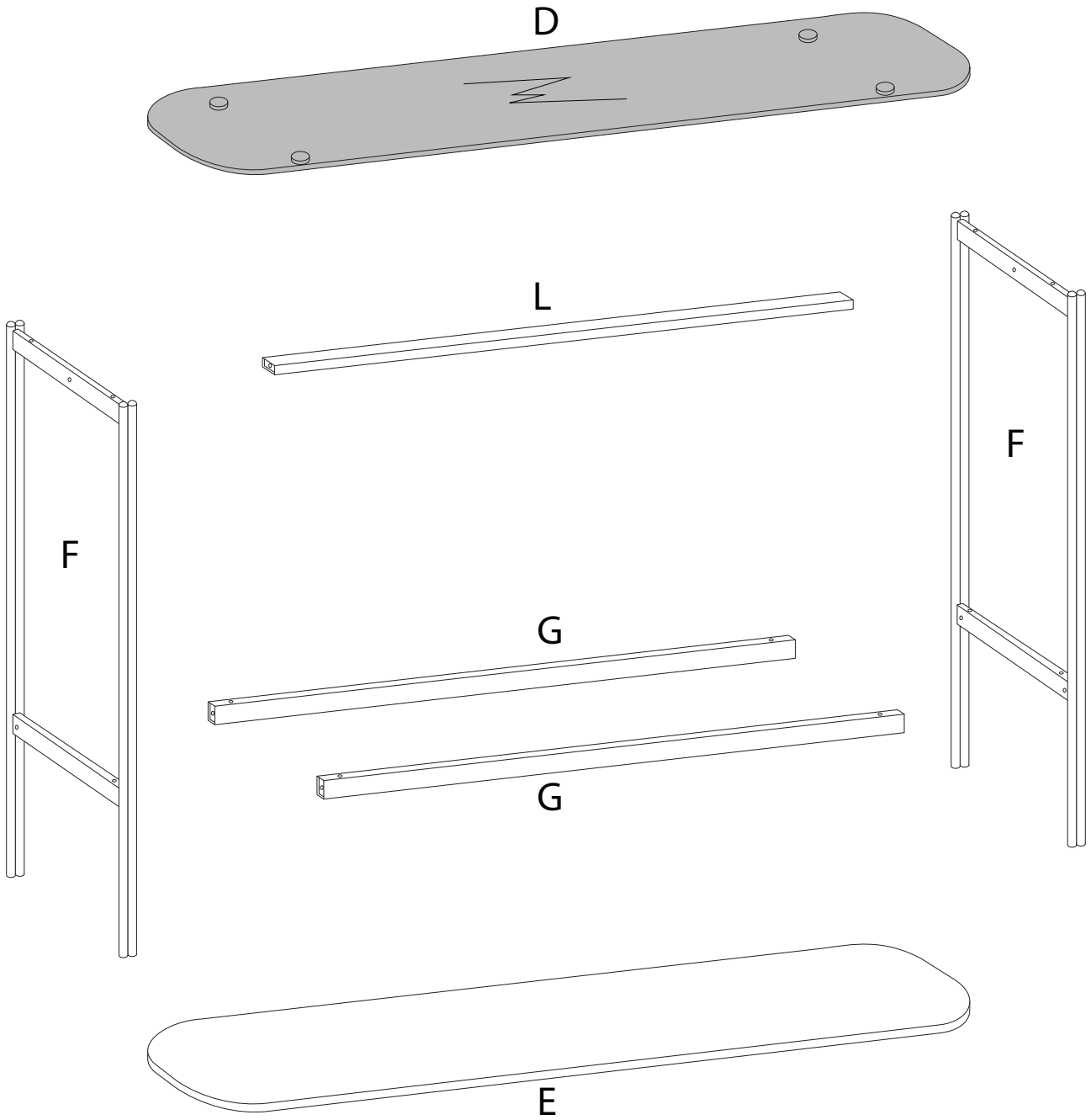


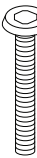
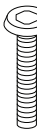
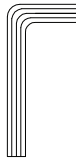
# LOVELL



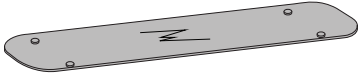


		
		<b>20'</b>
		
		<b>2</b>



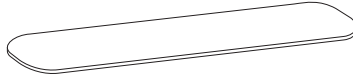
A	B	C
 <p>M6 x 40</p>	 <p>M6 x 30</p>	
x 8	x 6	x 1

D



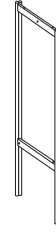
x 1

E



x 1

F



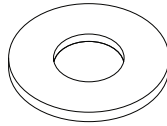
x 2

G



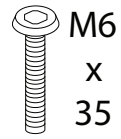
x 2

H



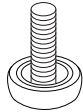
x 6

J



x 4

K



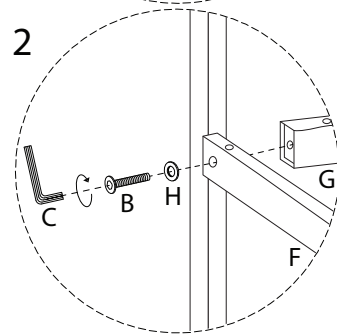
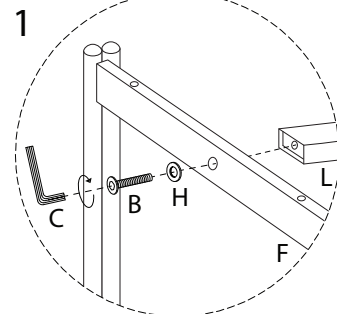
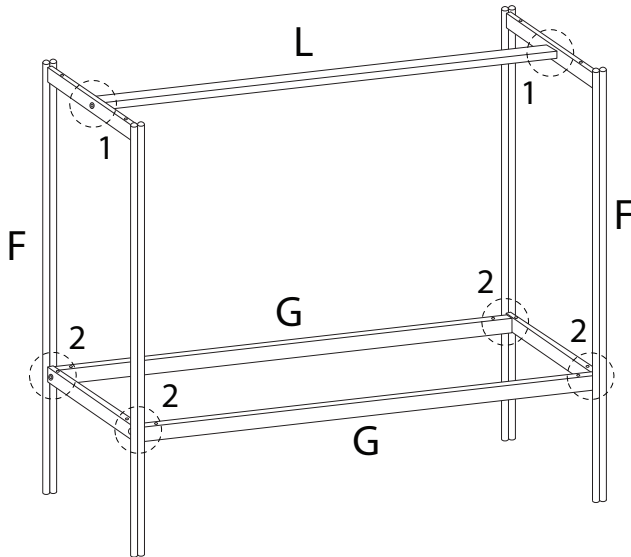
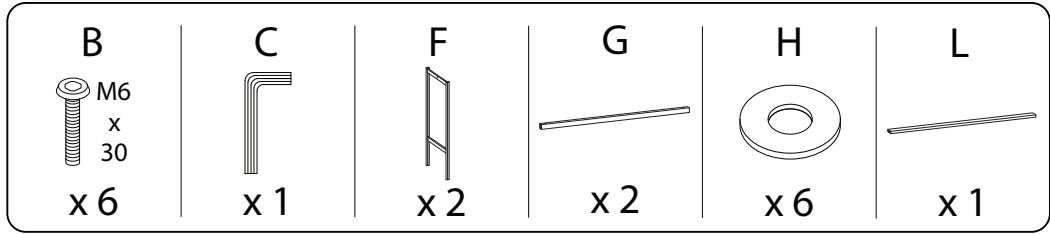
x 4

L

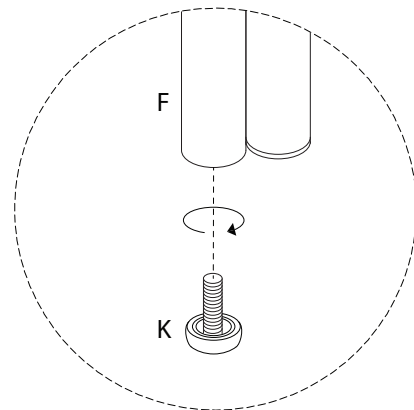
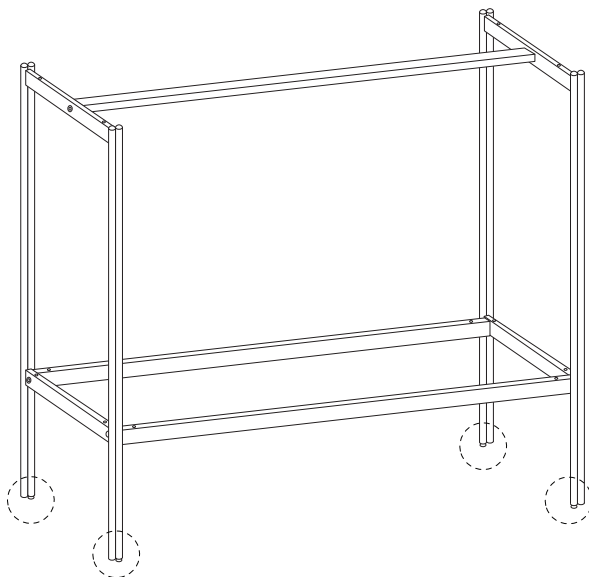
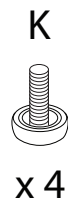


x 1

1



2

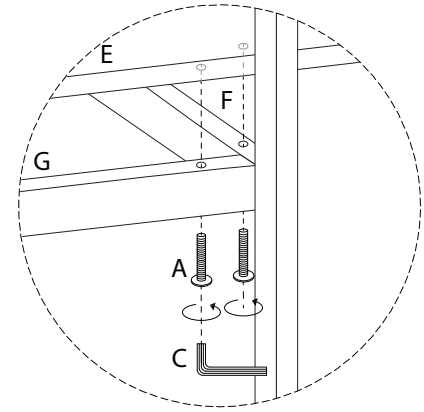
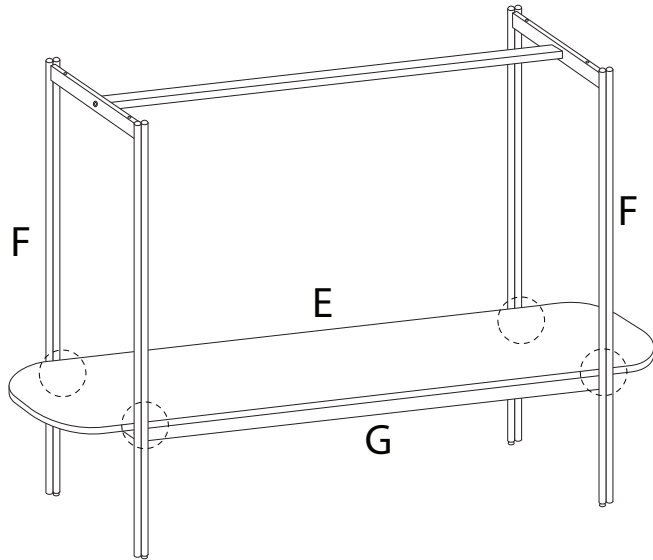


3

A  
M6  
x  
40  
x 8

C  
x 1

E  
x 1



4

C  
x 1

D  
x 1

J  
M6  
x  
35  
x 4

