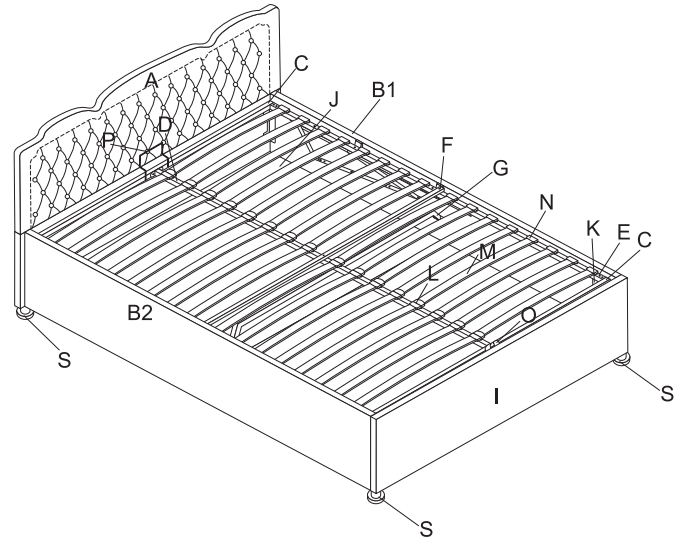


Bed Frame
Assembly Instructions



Dear Customers,

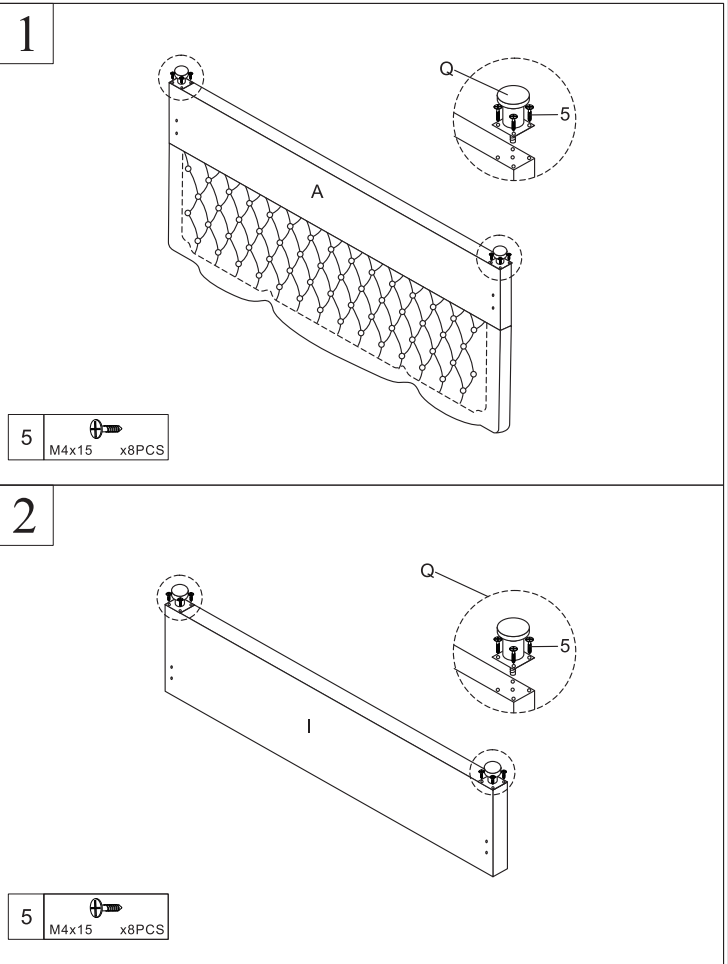
Thank you for purchasing our product. Please read this instruction manual carefully after receiving this product. It will help you assemble this product quickly, safely and correctly. You can keep this manual for future reference.
MADE IN CHINA



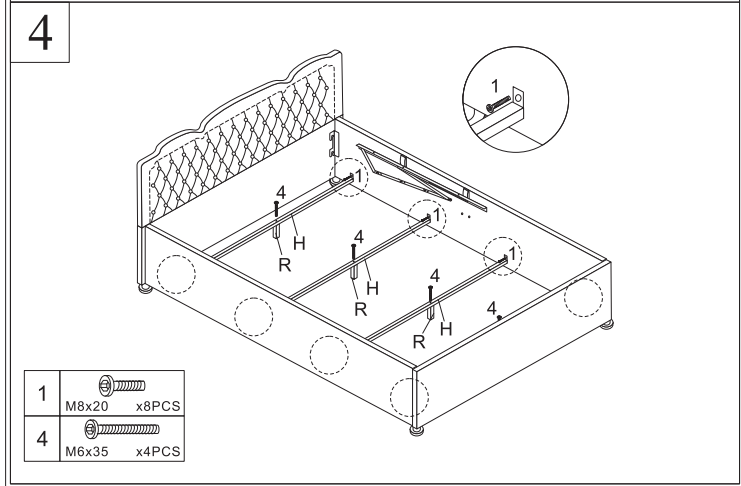
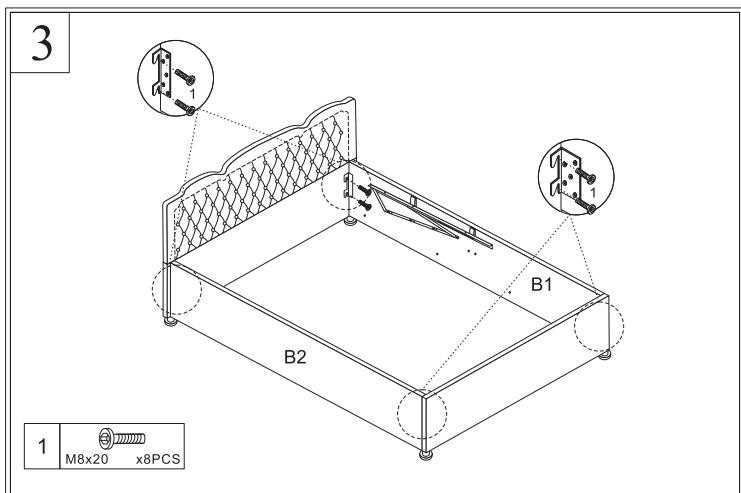
Notice: Do not tighten the screws too tightly at the beginning of the assembly. After each hole position is matched well, with gently force to screw, if there is no problem, then tighten all the screws.

PARTS LIST

A x 1PC	B1 x 1PC	B2 x 1PC	C x 2PCS		
D x 1PC	E x 2PCS	F x 1PCS	G x 1PC		
H x 4PCS	I x 1PC	J x 2PCS	K x 2PCS		
L x 16PCS	M x 32PCS	N x 32PCS	O x 1PCS		
P x 1PCS	Q x 4PCS	R x 4PCS			
1 x 36PCS	2 x 10PCS	3 x 3PCS	4 x 4PCS	5 x 16PCS	6 x 10PCS
M8x20	M8x40	M8x30	M6x35	M4x15	M8
7 x 1PC	8 x 1PC				
5x5					

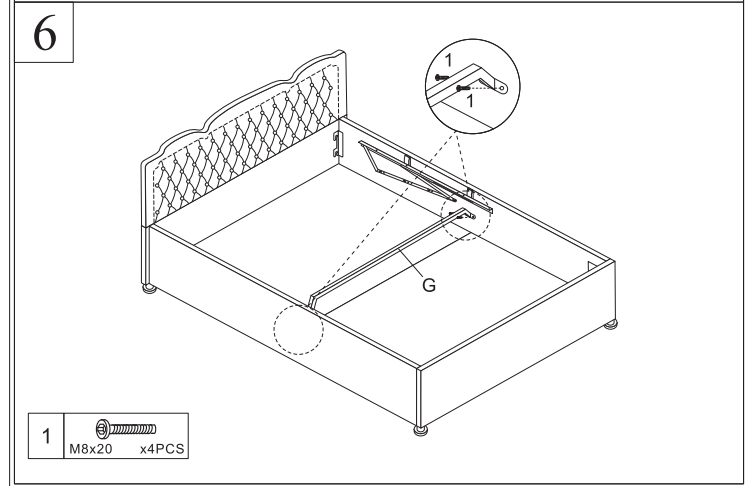
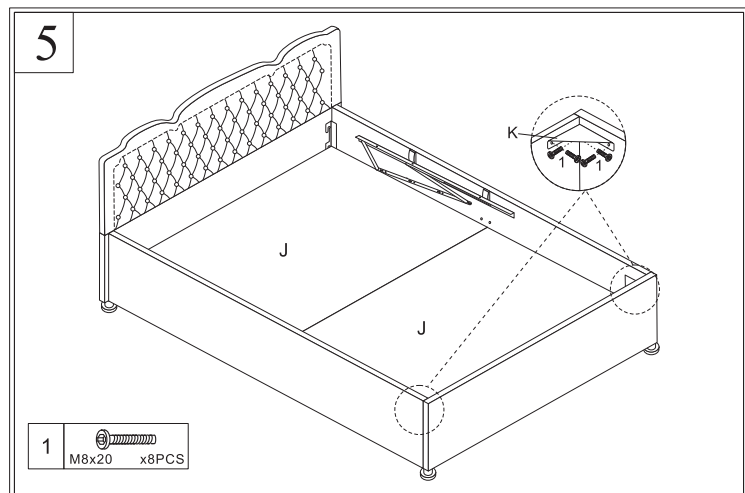


ASSEMBLY INSTRUCTIONS



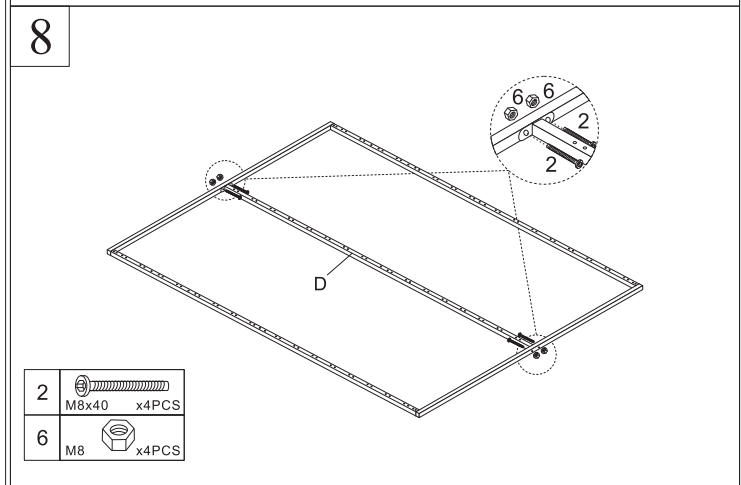
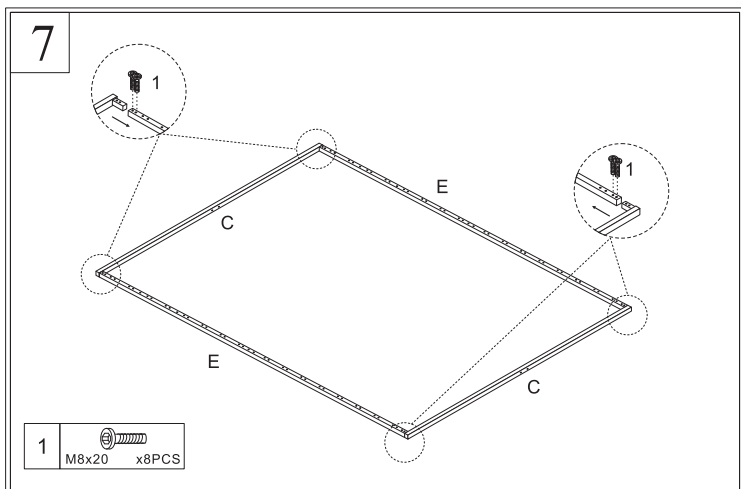
5/9

ASSEMBLY INSTRUCTIONS



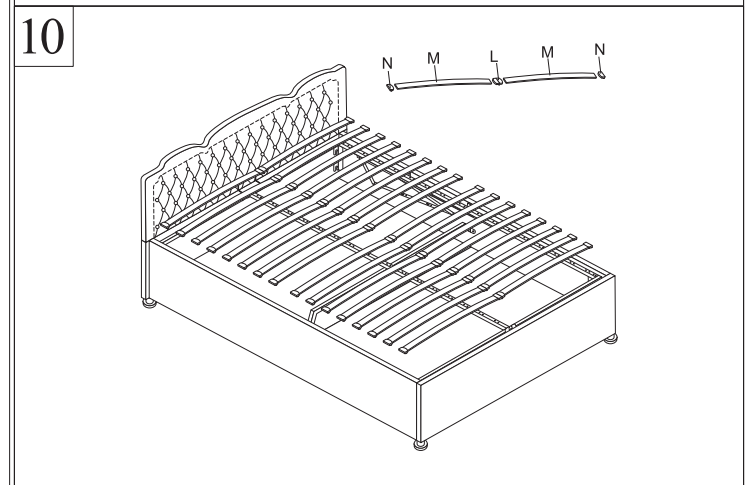
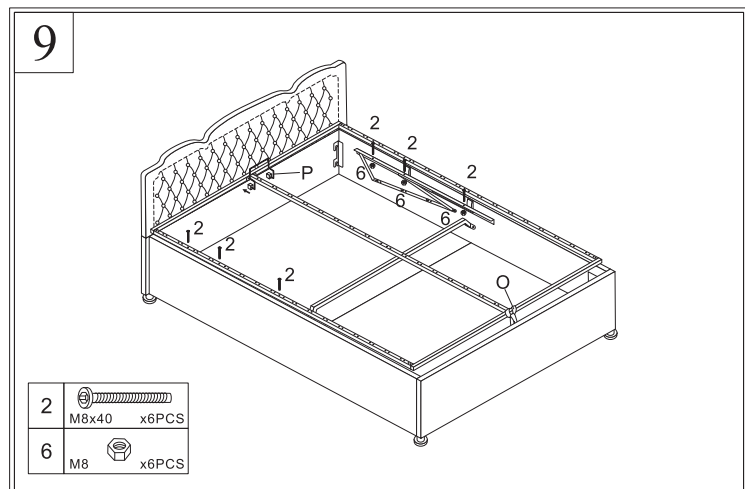
6/9

ASSEMBLY INSTRUCTIONS



7/9

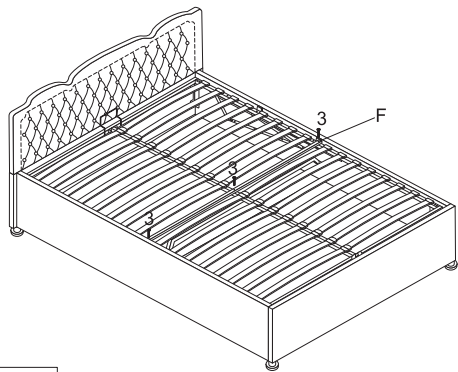
ASSEMBLY INSTRUCTIONS




8/9

ASSEMBLY INSTRUCTIONS

11



3  M8x30 x3PCS

12

